



US00D867901S

(12) **United States Design Patent**
Wu

(10) **Patent No.:** **US D867,901 S**

(45) **Date of Patent:** **** Nov. 26, 2019**

(54) **WATCH STRAP CLASP**

(71) Applicant: **Shaoyun Wu**, Guangdong (CN)

(72) Inventor: **Shaoyun Wu**, Guangdong (CN)

(**) Term: **15 Years**

(21) Appl. No.: **29/593,280**

(22) Filed: **Feb. 8, 2017**

(51) **LOC (12) Cl.** **10-02**

(52) **U.S. Cl.**

USPC **D10/32**

(58) **Field of Classification Search**

USPC D10/30-39, 65, 70, 78, 97, 98, 128;
D11/3, 86, 200, 206, 78.1, 87;
D14/138 R, 203.5, 203.6, 341, 344, 347
CPC A44C 5/24; A44C 5/147; A44C 5/246;
A44C 5/14; A44C 5/22; A44C 5/2042;
A44C 5/2071; A44C 5/145; A44C 5/243;
A44C 5/2057; A44C 5/20; A44C 5/2076;
A44C 27/00; A44C 5/185; A44C 5/2066;
A44C 15/0025; A44C 5/04; A44C 5/18;
A44C 5/2052; A44C 11/002; A44C 5/00;
A44C 5/0007; A44C 5/0015; A44C
5/0053; A44C 5/107; A44C 5/2038; A44C
5/209; A44C 5/2095

See application file for complete search history.

(56) **References Cited**

U.S. PATENT DOCUMENTS

D435,468 S * 12/2000 Jones D10/46
D611,383 S * 3/2010 Wolfgang D11/94

D611,873 S * 3/2010 Wolfgang D11/94
D628,511 S * 12/2010 Wolfgang D11/94
D775,127 S * 12/2016 Strubi D14/358
9,632,534 B1 * 4/2017 Devaney G06F 1/163
9,681,711 B2 * 6/2017 Monard A44C 5/04
D800,593 S * 10/2017 Ling D10/128
D826,744 S * 8/2018 Liu D10/70
D826,745 S * 8/2018 Liu D10/70
D848,889 S * 5/2019 Pento D10/103
2013/0286797 A1 * 10/2013 Leger A44C 5/246
368/282
2015/0085623 A1 * 3/2015 Modaragamage A44C 5/24
368/10

* cited by examiner

Primary Examiner — Michael C Stout

Assistant Examiner — Katrina N Gonzalez

(74) *Attorney, Agent, or Firm* — Justin Lampel

(57) **CLAIM**

The ornamental design for a watch strap clasp, as shown and described.

DESCRIPTION

FIG. 1 is a perspective view of a watch strap clasp showing my new design;

FIG. 2 is a front elevational view thereof;

FIG. 3 is a rear elevational view thereof;

FIG. 4 is a right side view thereof;

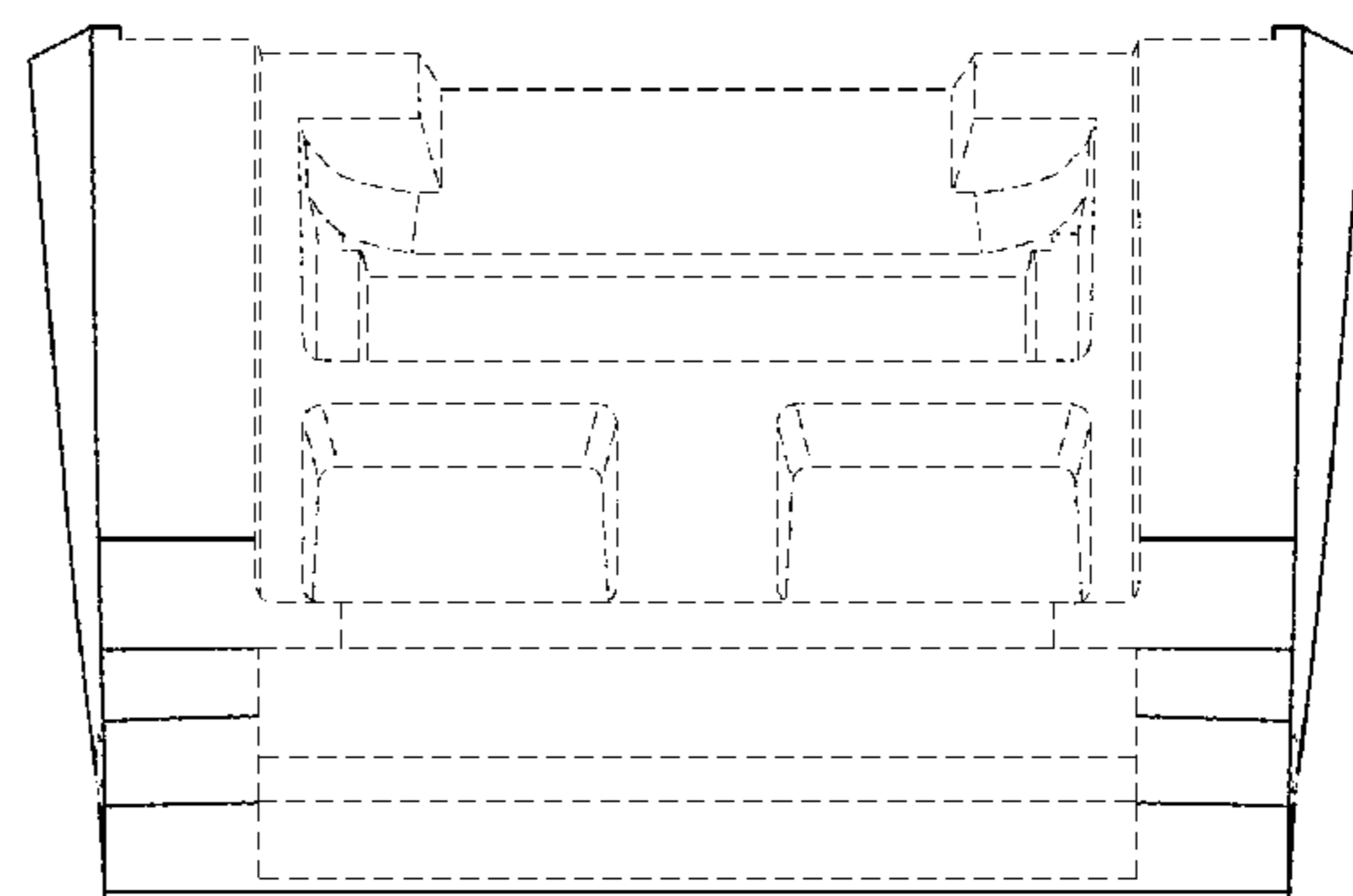
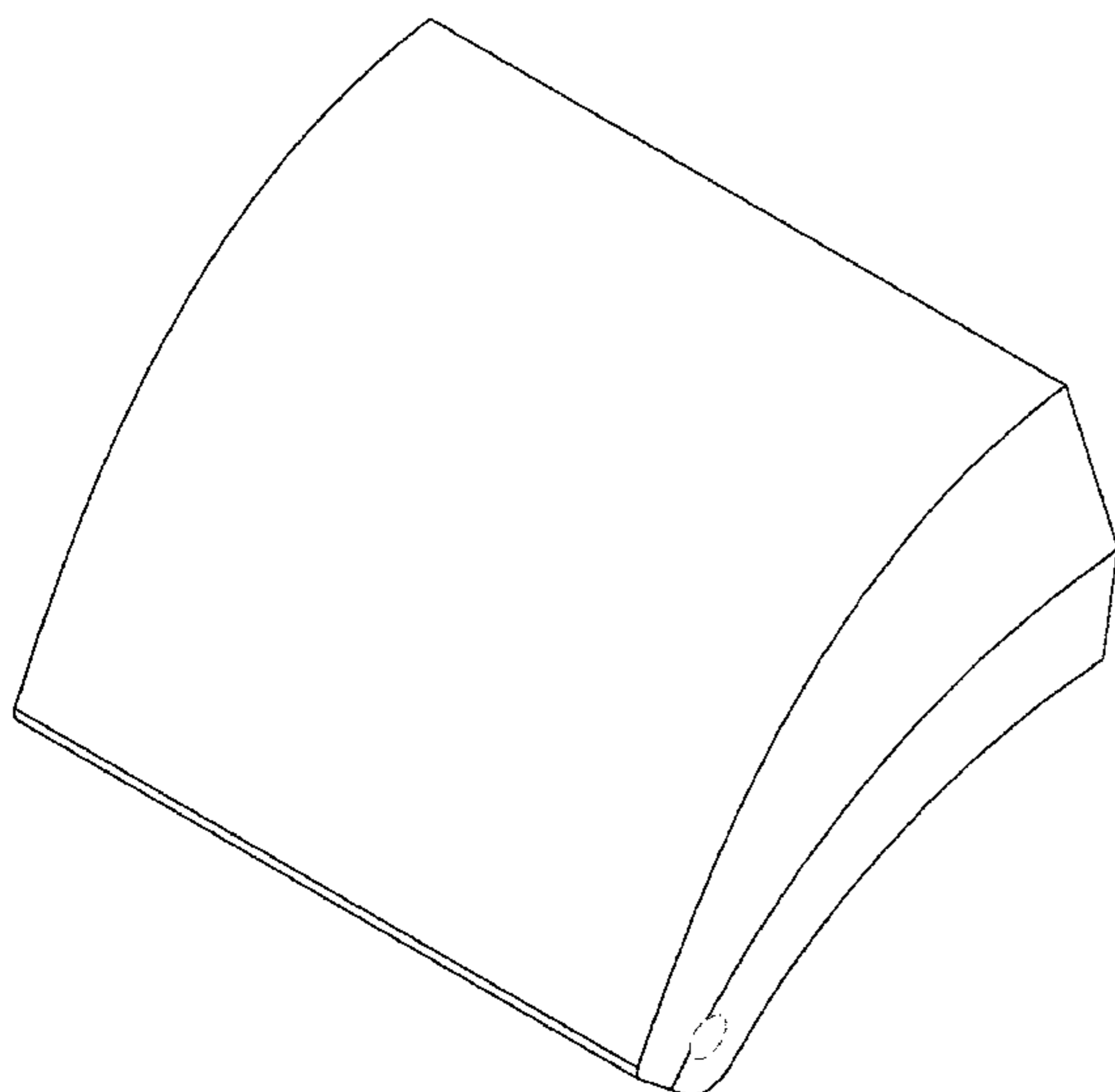
FIG. 5 is a left side view thereof;

FIG. 6 is a bottom plan view thereof; and,

FIG. 7 is a top plan view thereof.

The broken lines illustrate portions of the watch strap clasp that form no part of the claimed design.

1 Claim, 7 Drawing Sheets



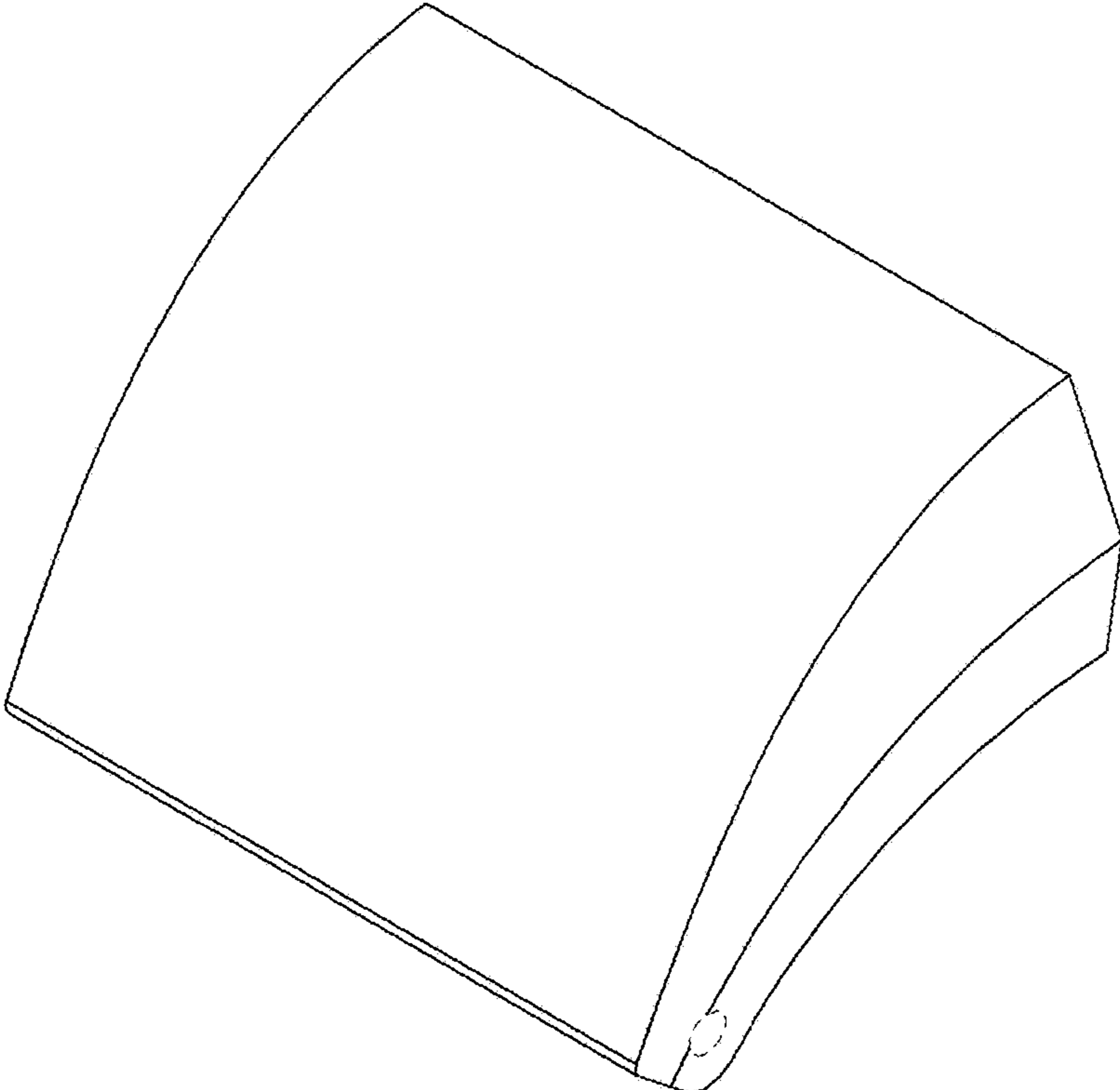


FIG. 1

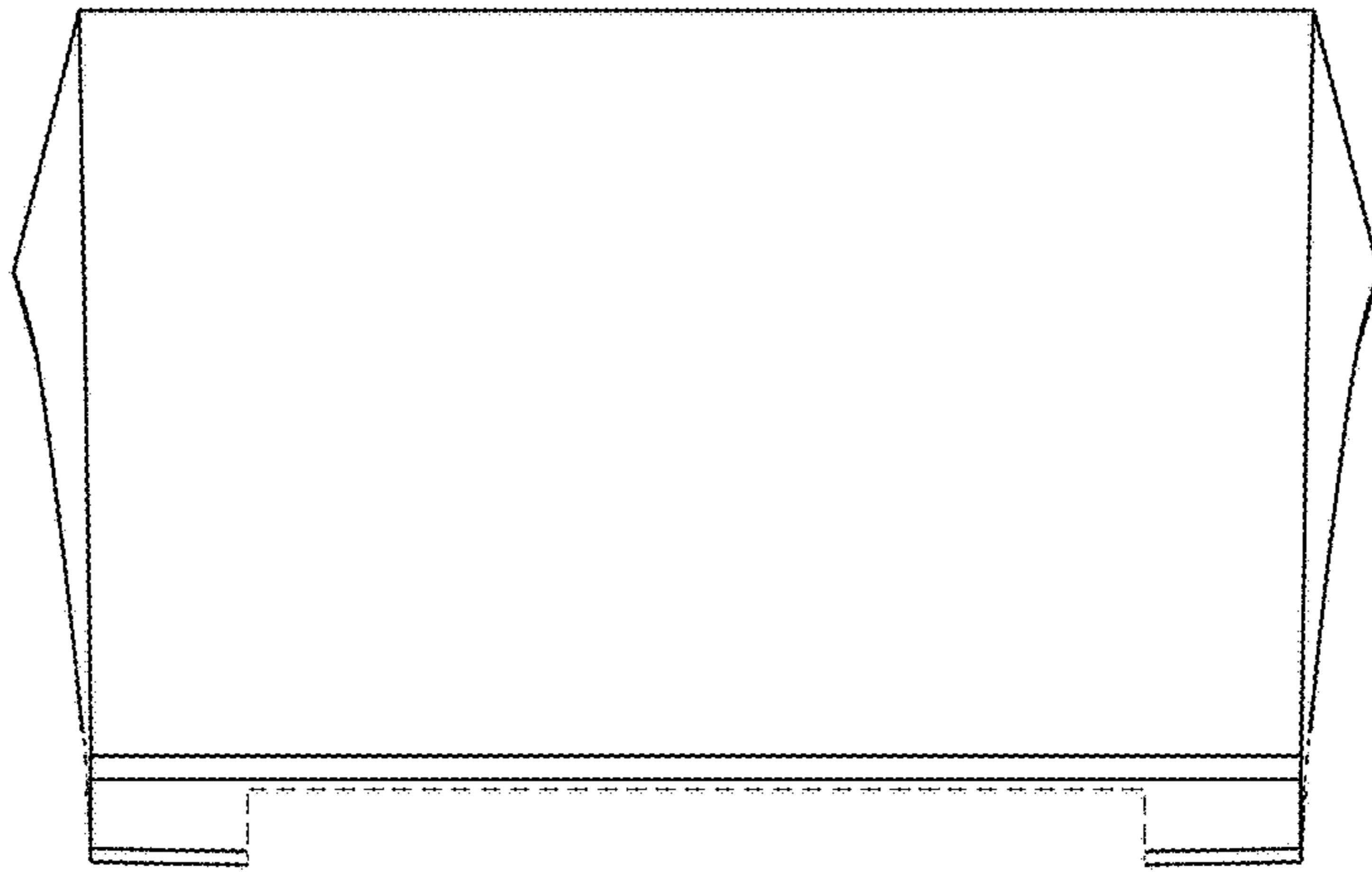


FIG. 2

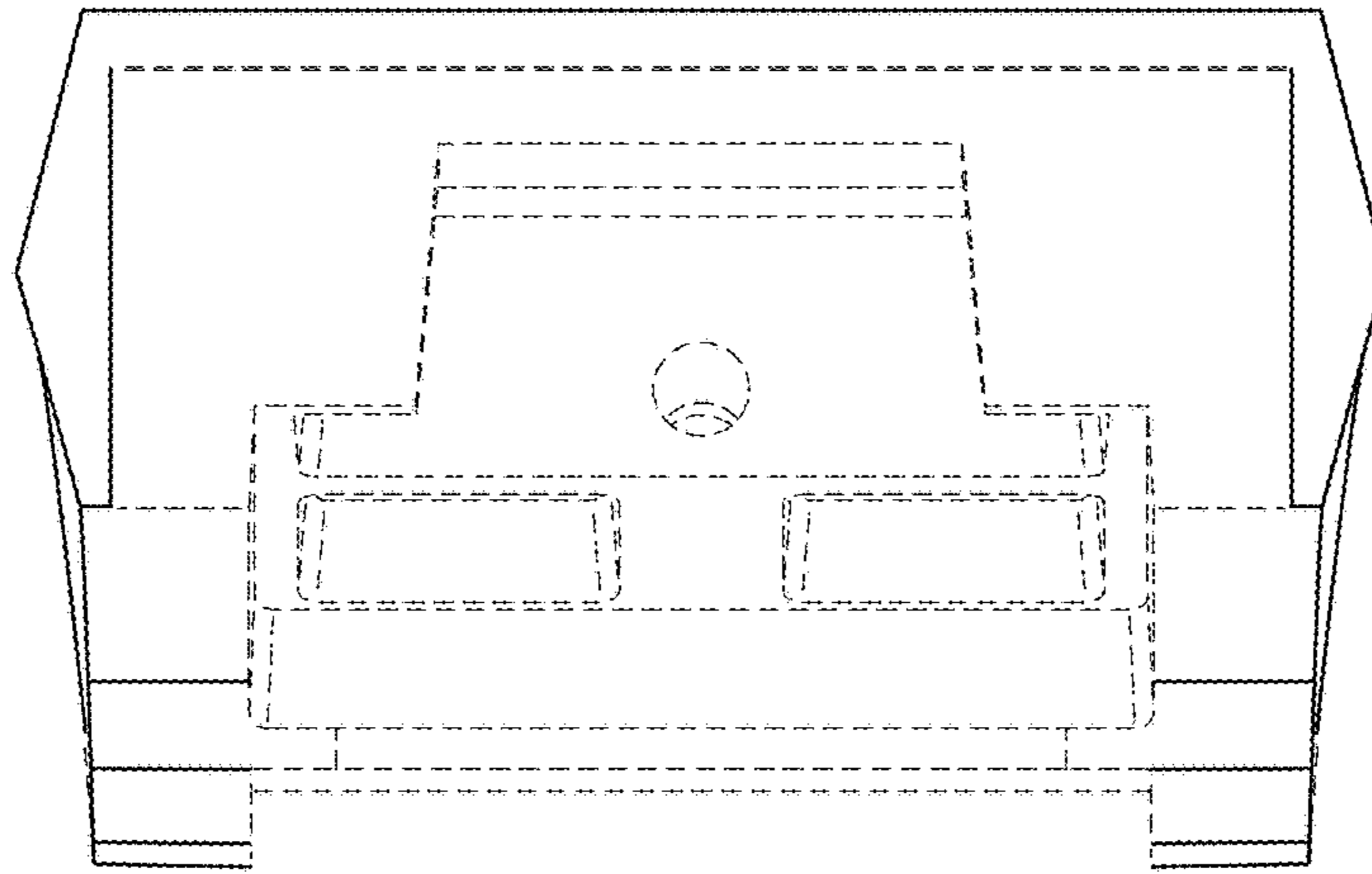


FIG. 3

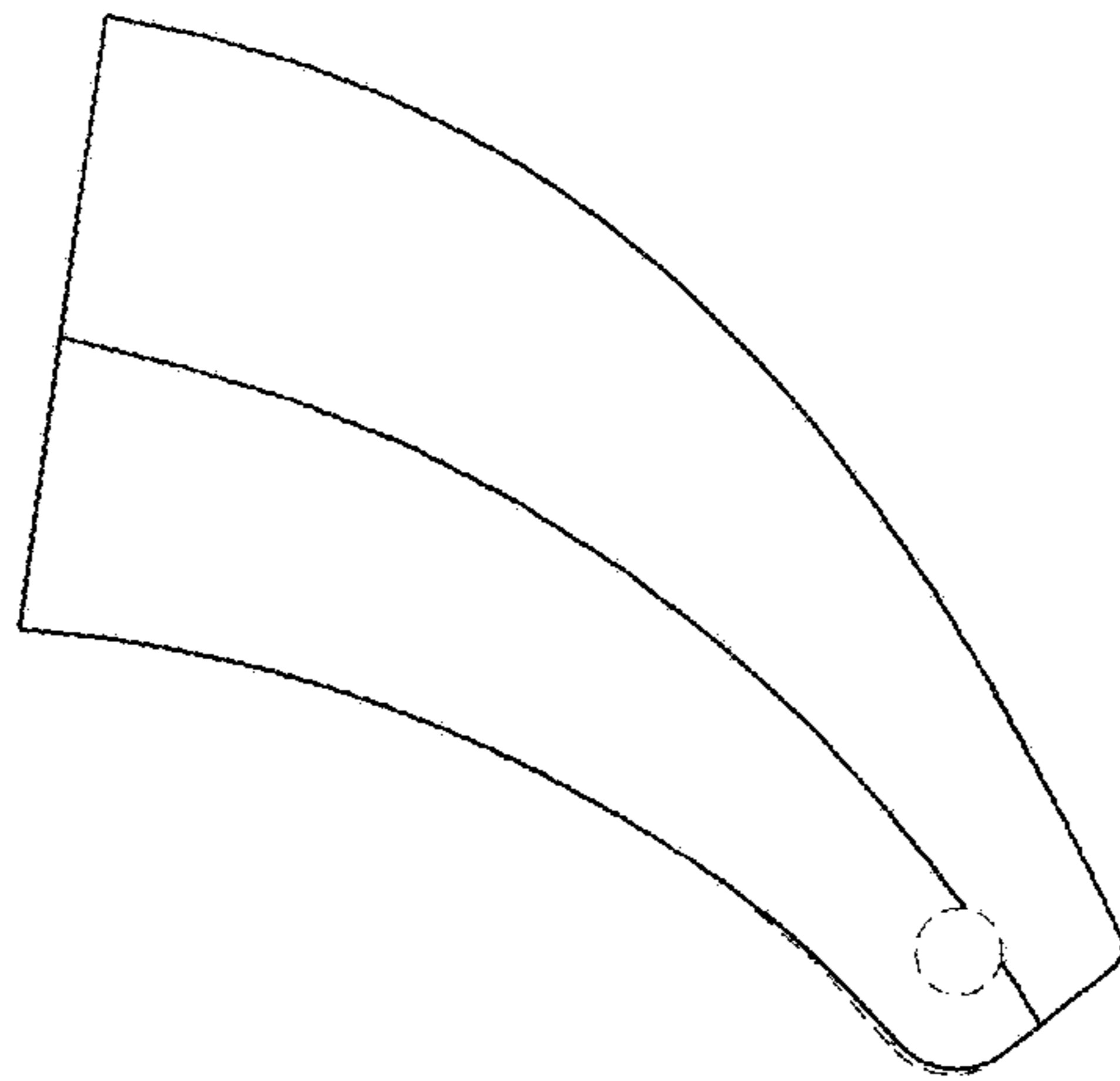


FIG. 4

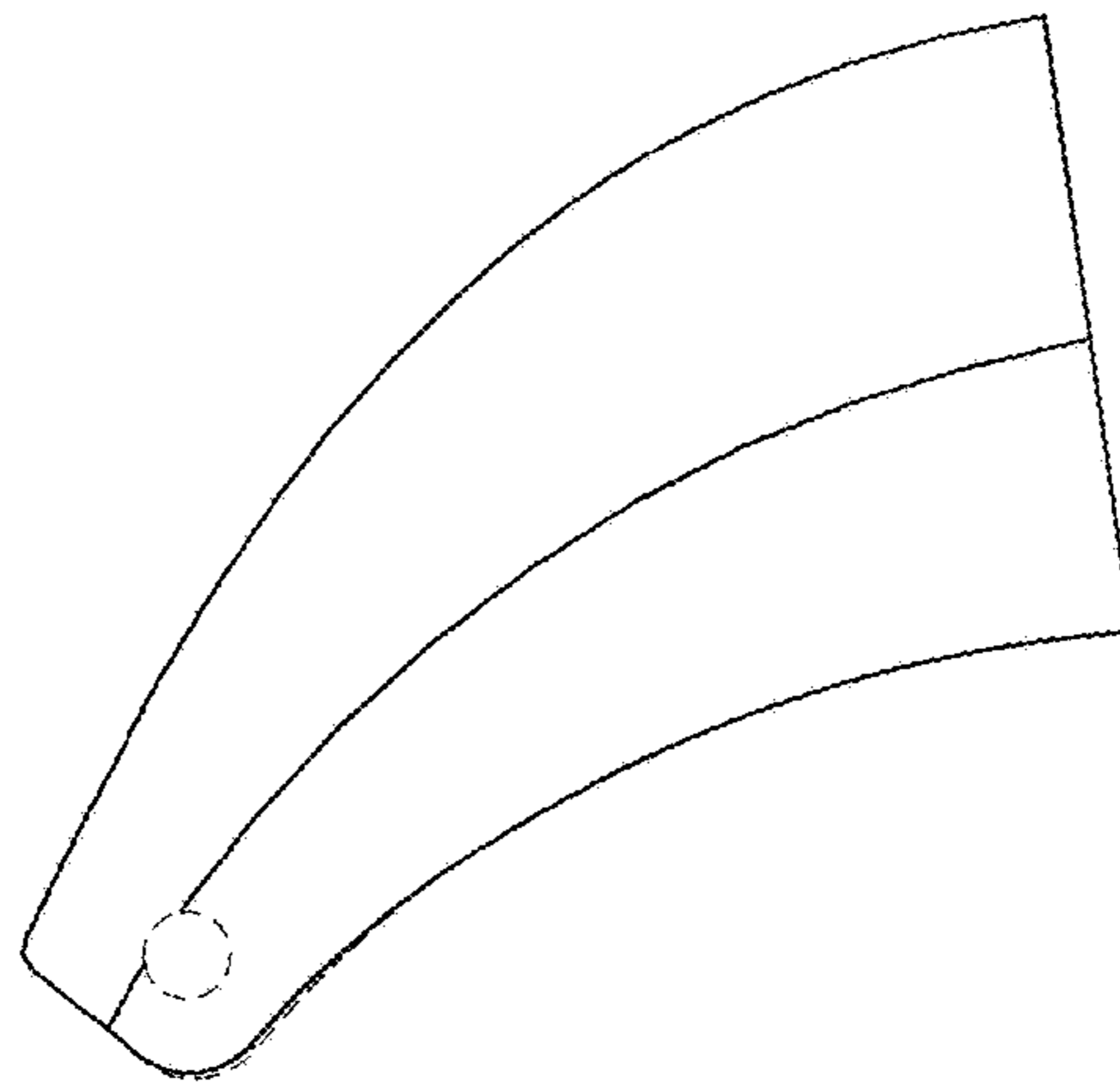


FIG. 5

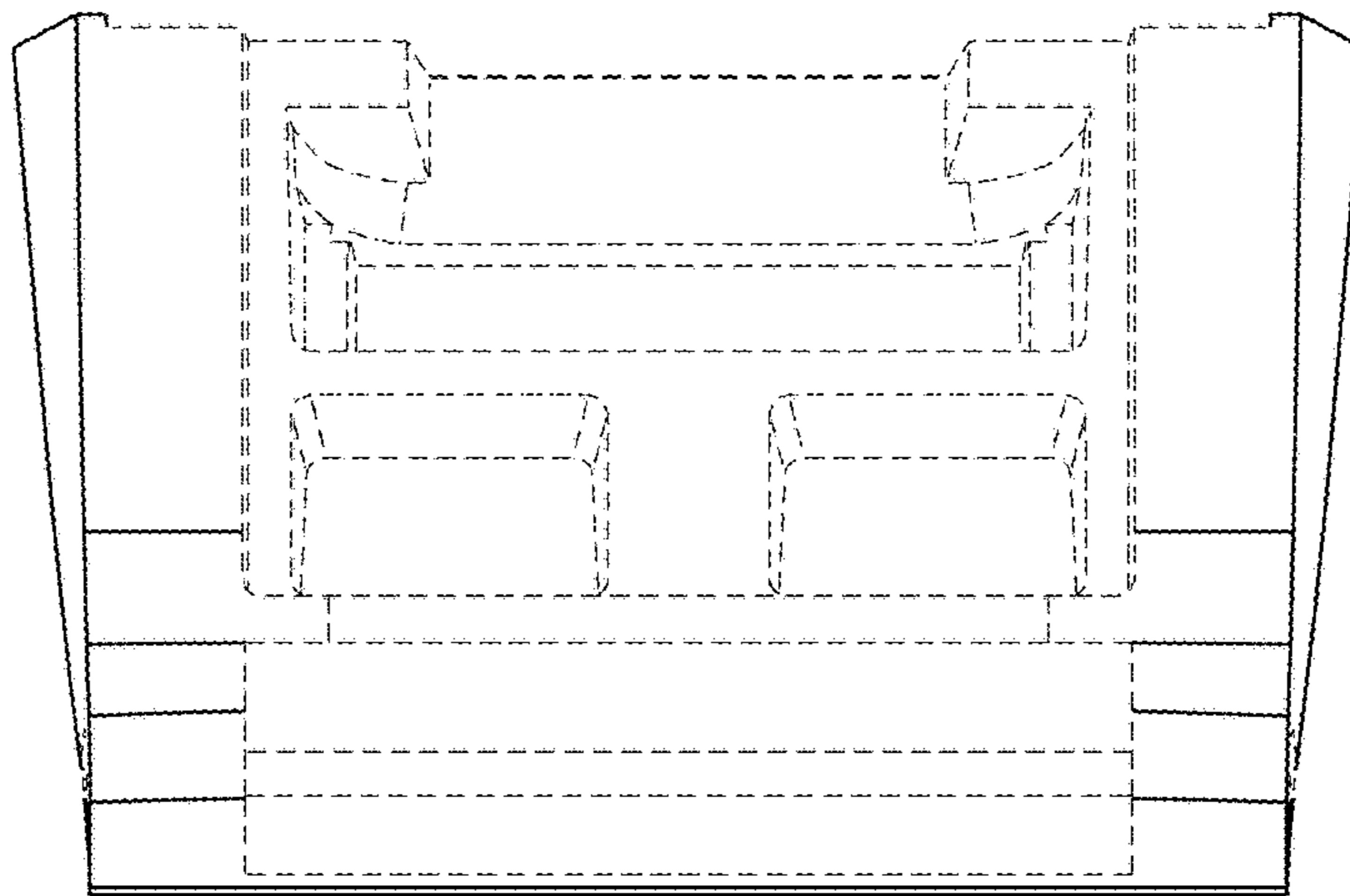


FIG. 6

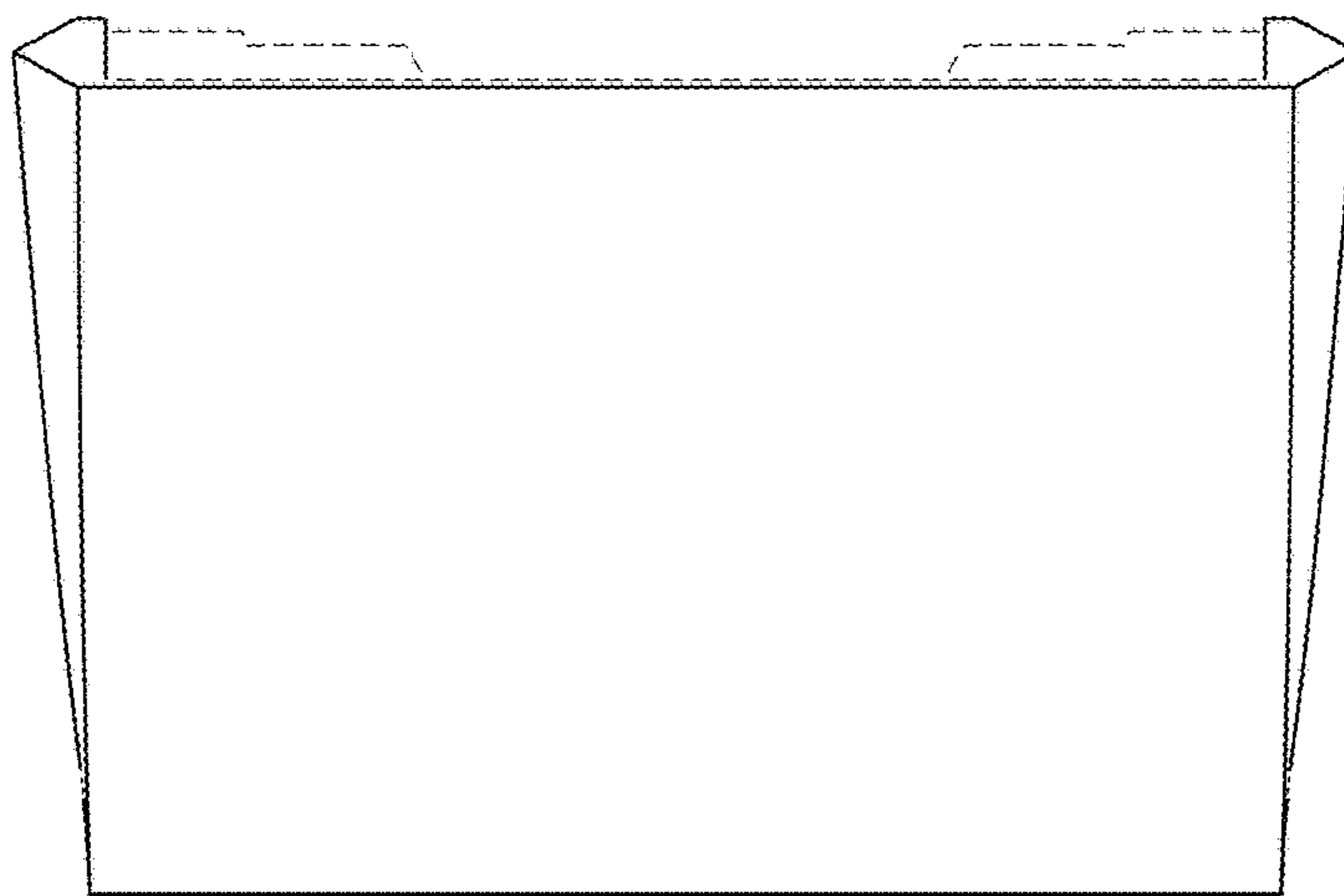


FIG. 7