

US00D867899S

(12) **United States Design Patent**
Jun et al.

(10) **Patent No.:** **US D867,899 S**
(45) **Date of Patent:** **** Nov. 26, 2019**

- (54) **CASE FOR COSMETICS**
- (71) Applicant: **COSMAX INC.**, Hwaseong-si, Gyeonggi-do (KR)
- (72) Inventors: **Hyun Seung Jun**, Seoul (KR); **Jung Ho Choi**, Seoul (KR); **Jong Soo Kim**, Gyeonggi-do (KR); **Hyun Soo Kim**, Gyeonggi-do (KR); **Jung Ku Yun**, Seoul (KR); **Jung Soo Kim**, Chungcheongbuk-do (KR)
- (73) Assignee: **COSMAX INC.**, Hwaseong-si, Gyeonggi-Do (KR)
- (**) Term: **15 Years**
- (21) Appl. No.: **29/660,107**
- (22) Filed: **Aug. 17, 2018**
- (51) **LOC (12) Cl.** **09-01**
- (52) **U.S. Cl.**
USPC **D9/729**
- (58) **Field of Classification Search**
USPC D9/442, 503, 695-699, 702-714, D9/723-729; D24/199; D28/7; 132/317, 318, 320; 222/95, 207, 212, 222/335
CPC A45D 34/00; A45D 40/00; A45D 40/04; B65D 81/3272
See application file for complete search history.

- 6,210,061 B1 * 4/2001 Johnson A45D 40/04 401/171
- 6,435,748 B1 * 8/2002 Taghikhani A45D 40/04 401/175
- 6,817,799 B1 * 11/2004 Petit A45D 40/04 401/172
- D541,670 S * 5/2007 McConville D9/529
- D623,540 S * 9/2010 Vepuri D9/729
- D657,696 S * 4/2012 Floyd D9/729
- D834,951 S * 12/2018 Horowitz D9/729
- 2014/0270892 A1 * 9/2014 Linehan A45D 40/04 401/68
- 2017/0210508 A1 * 7/2017 Toh B65D 25/2805
- 2019/0142136 A1 * 5/2019 Graham A45D 40/04 401/58

* cited by examiner

Primary Examiner — Lauren R Calve

(74) *Attorney, Agent, or Firm* — Buchanan Ingersoll & Rooney PC

(57) **CLAIM**

The ornamental design for a case for cosmetics, as shown and described.

DESCRIPTION

FIG. 1 is a perspective view of a case for cosmetics showing our new design;
FIG. 2 is a front elevational view thereof;
FIG. 3 is a rear elevational view thereof;
FIG. 4 is a left side elevational view thereof;
FIG. 5 is a right side elevational view thereof;
FIG. 6 is a top plan view thereof; and,
FIG. 7 is a bottom plan view thereof.

1 Claim, 6 Drawing Sheets

- (56) **References Cited**
U.S. PATENT DOCUMENTS
D87,968 S * 10/1932 Lewis D9/719
6,086,276 A * 7/2000 Gueret A45D 40/04 401/54

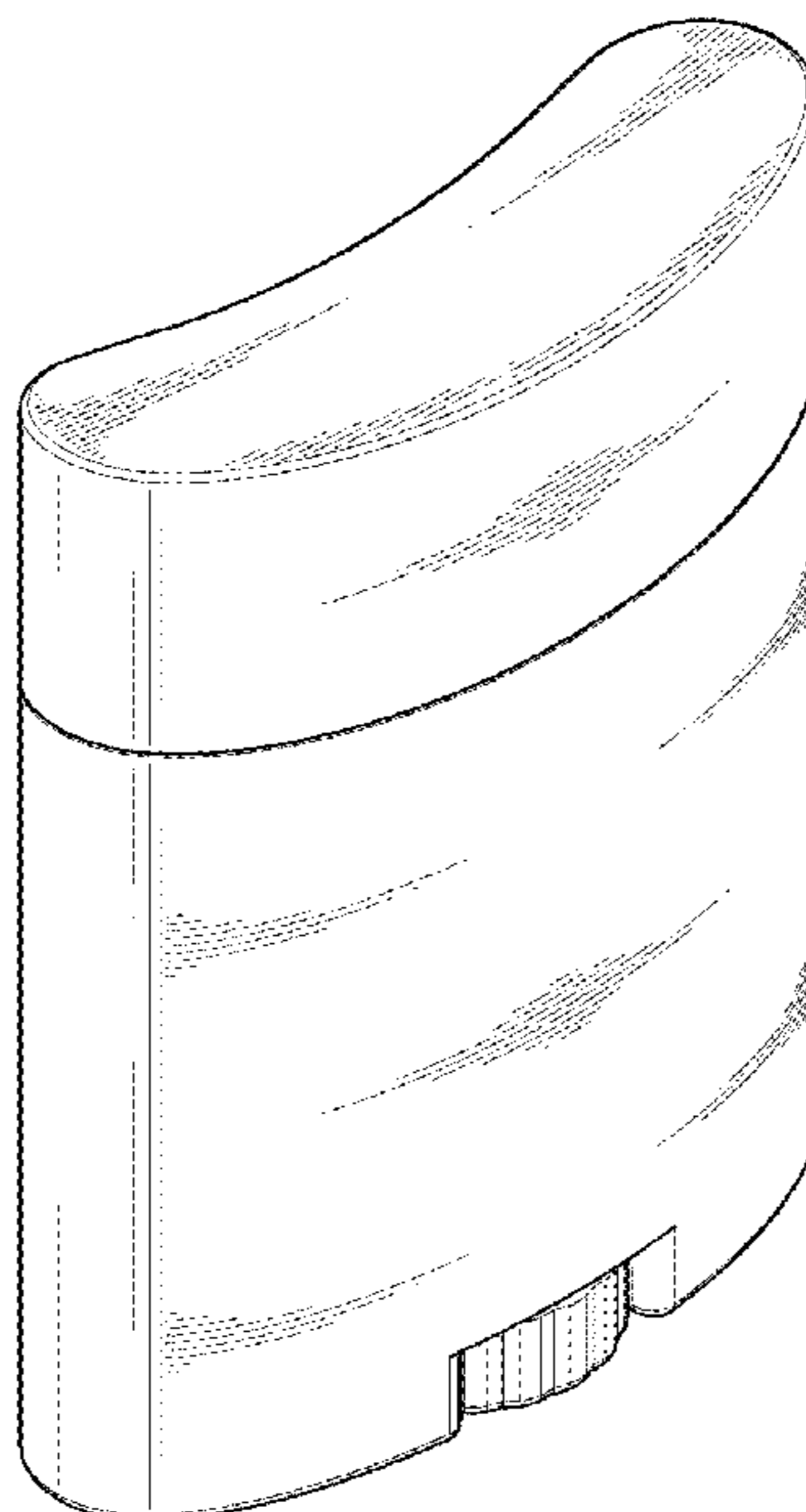


FIG. 1

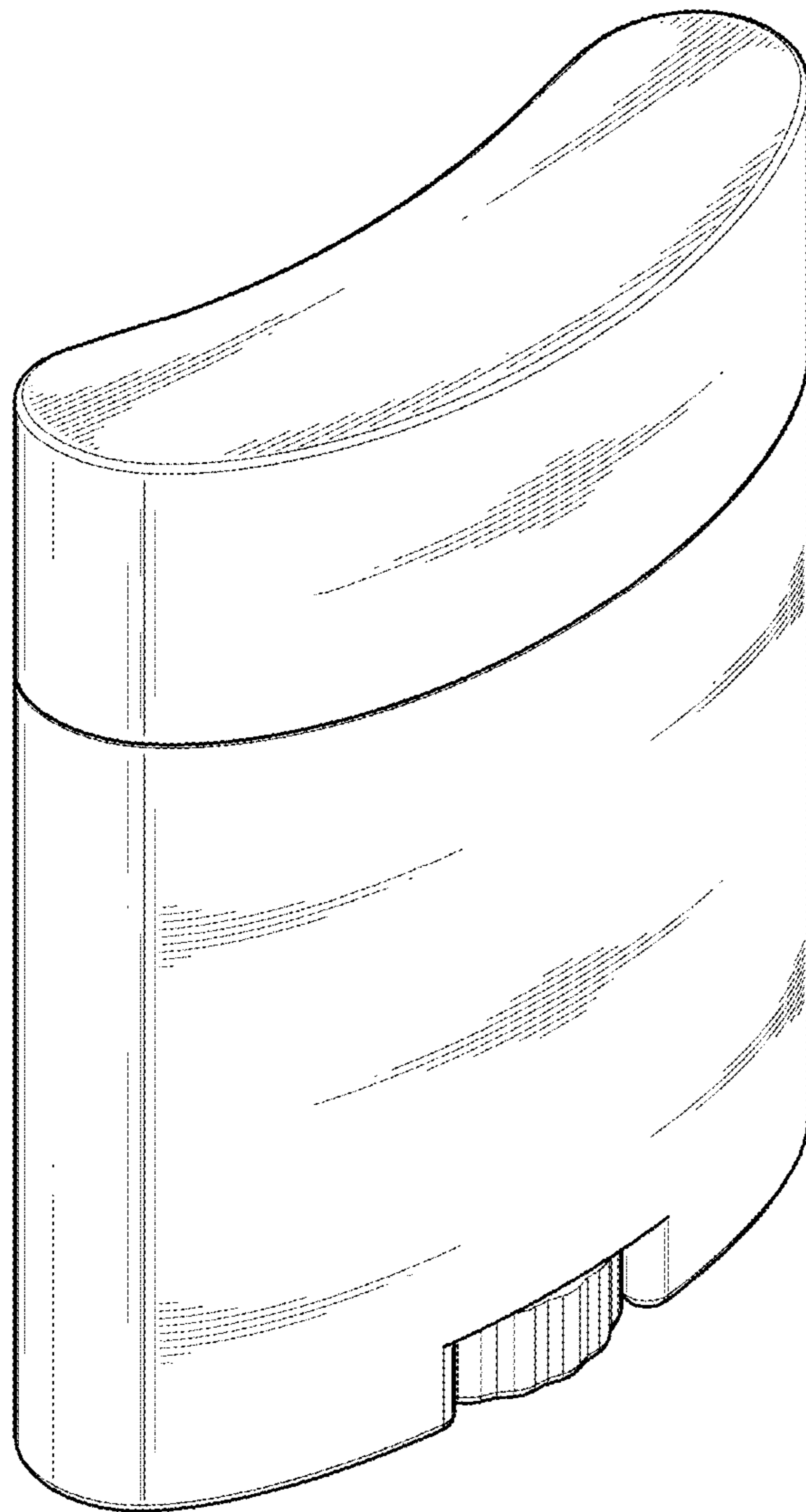


FIG. 2

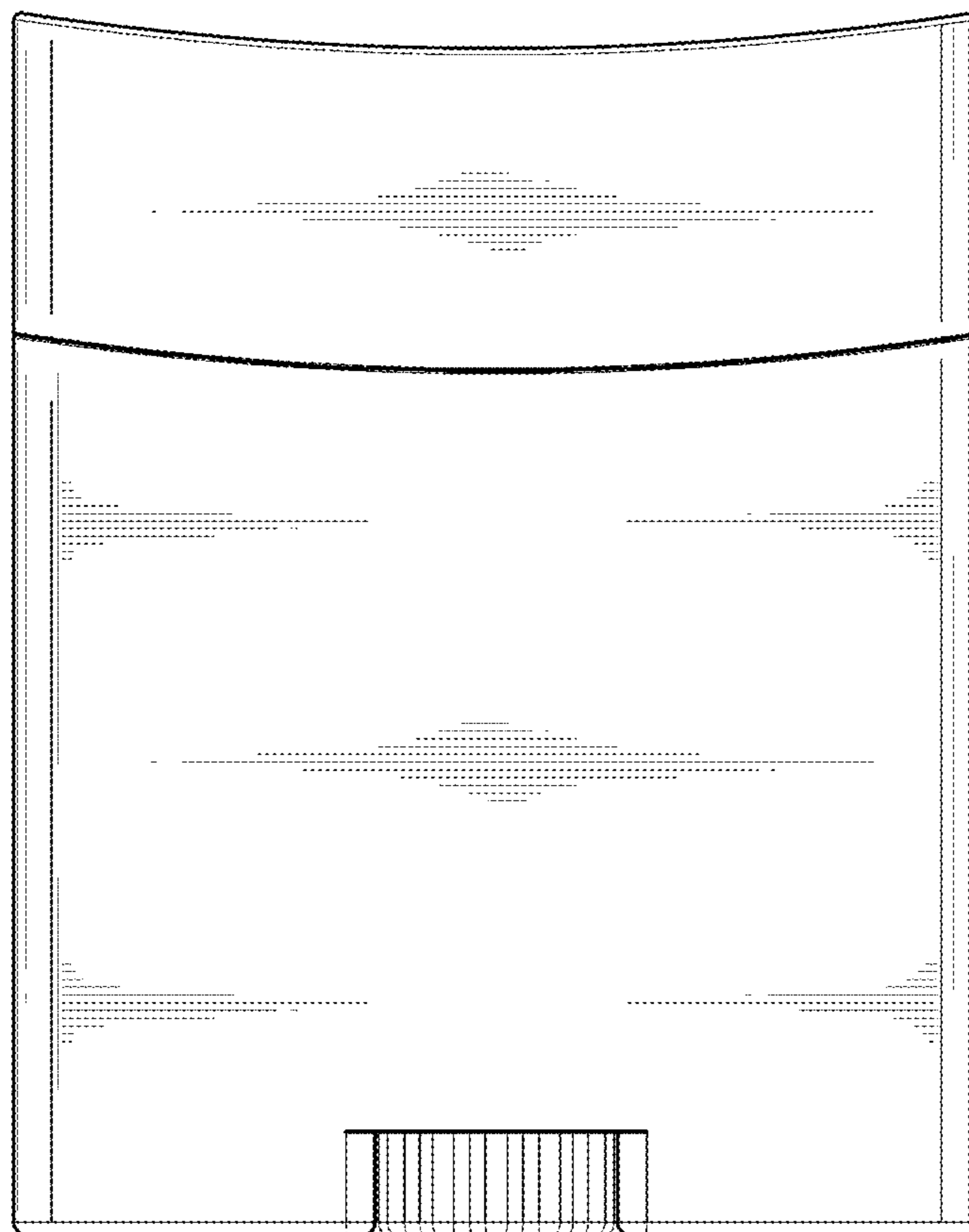


FIG. 3

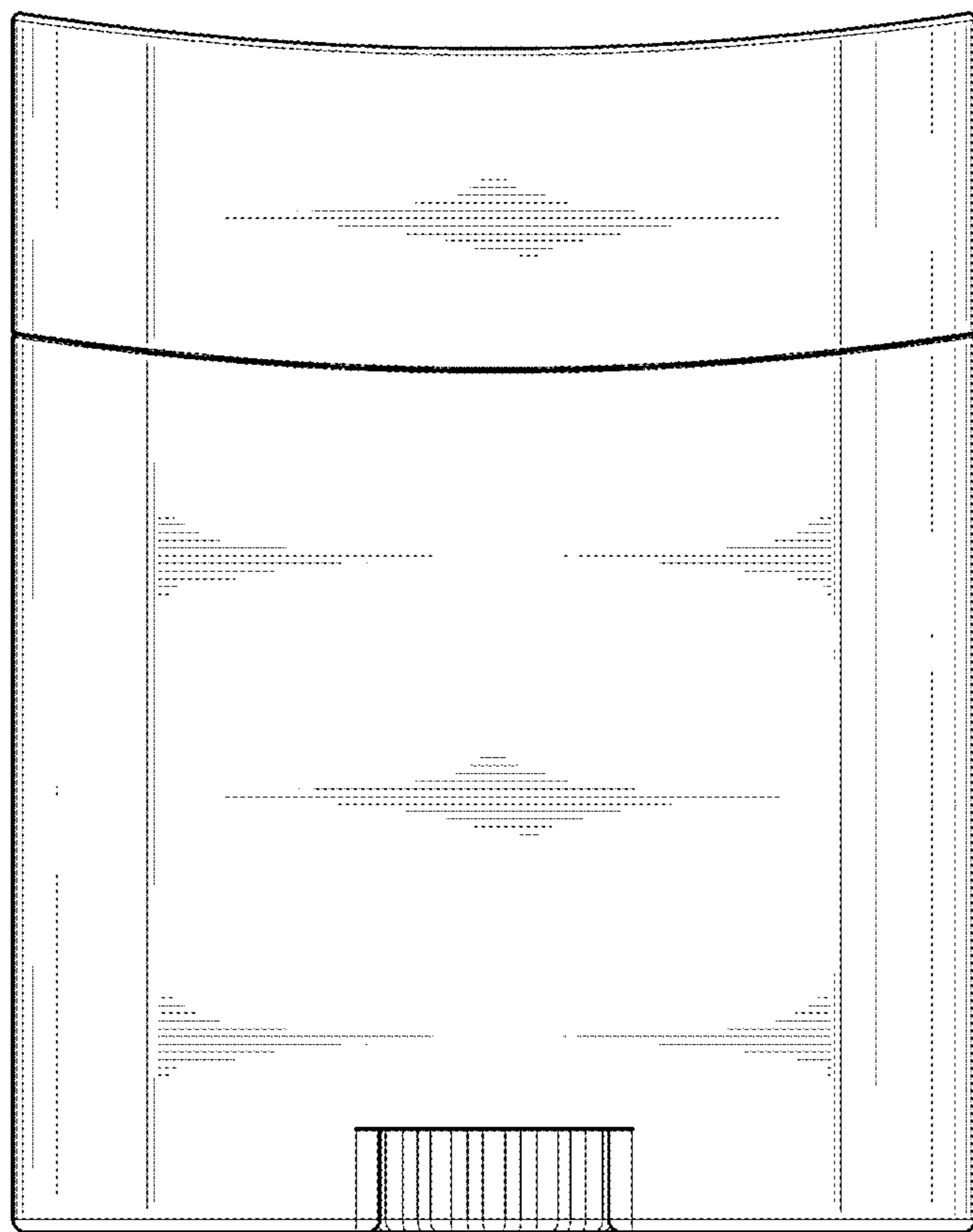


FIG. 4

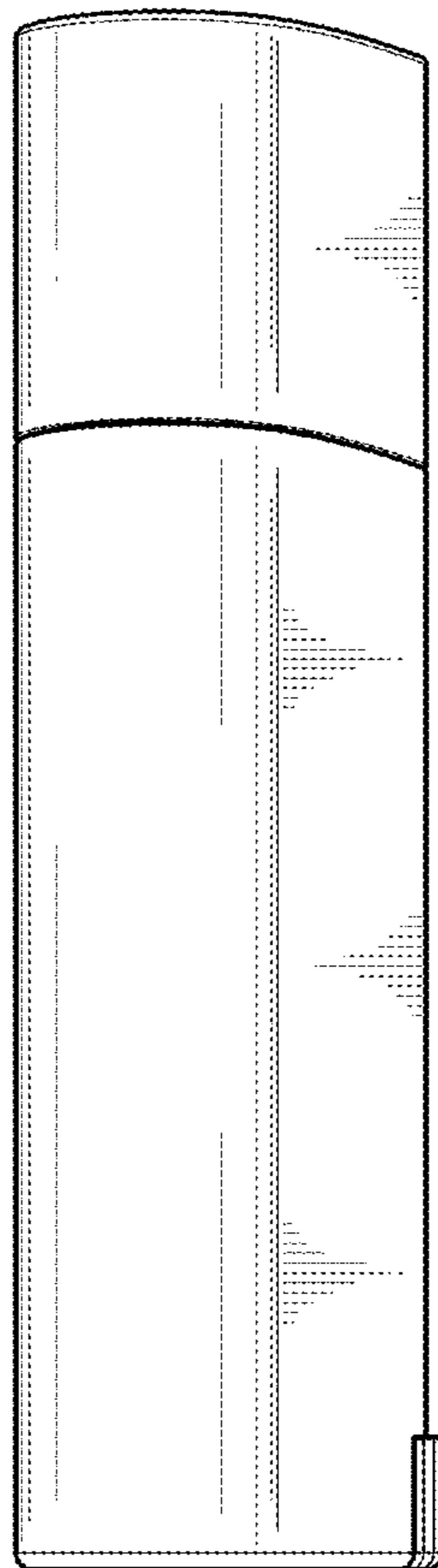


FIG. 5



FIG. 6

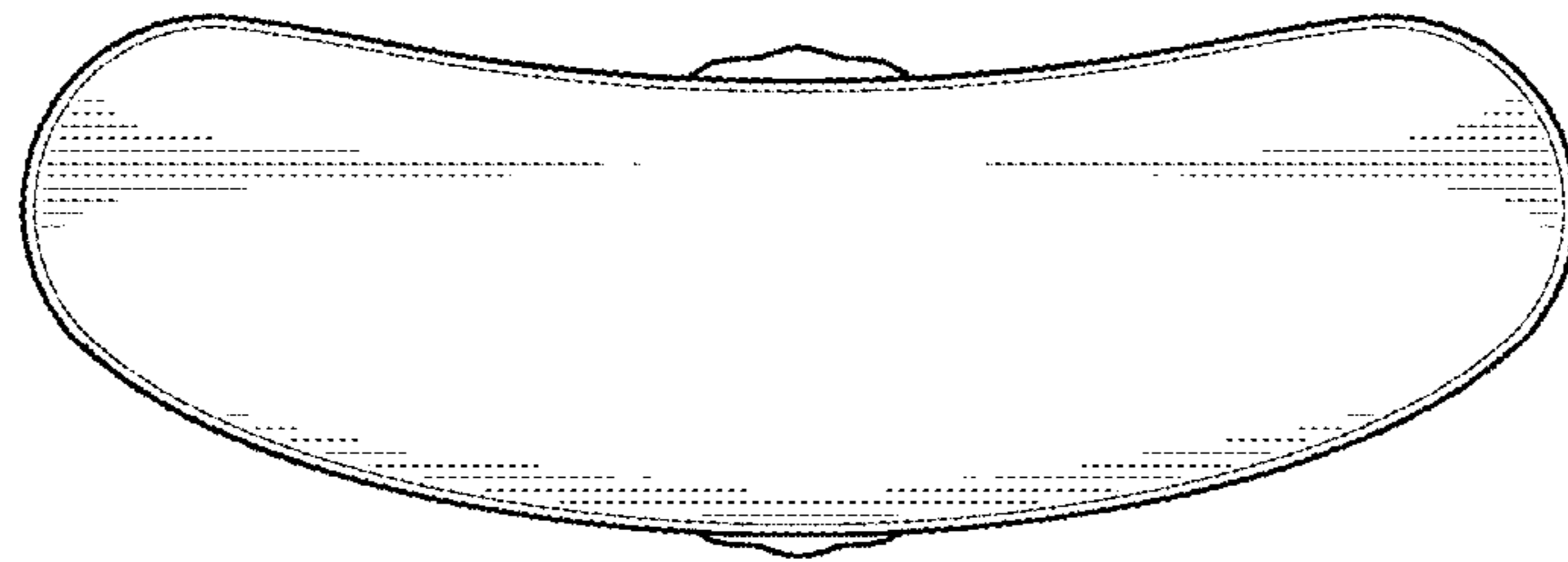


FIG. 7

