

US00D867889S

(12) **United States Design Patent** (10) **Patent No.:** **US D867,889 S**
Baumann (45) **Date of Patent:** **** Nov. 26, 2019**

(54) **BOTTLE**
(71) Applicant: **Liqui-Moly Gesellschaft mit beschränkter Haftung, Ulm (DE)**
(72) Inventor: **Peter Baumann, Ulm (DE)**
(73) Assignee: **Liqui-Moly Gesellschaft mit beschränkter Haftung, Ulm (DE)**
(**) Term: **15 Years**
(21) Appl. No.: **29/631,951**
(22) Filed: **Jan. 4, 2018**

D479,130 S * 9/2003 Kleckauskas D9/531
D488,384 S * 4/2004 Murphy D9/531
D496,864 S * 10/2004 Reynolds D9/528
D501,406 S * 2/2005 Dorn D9/528
D538,167 S * 3/2007 Jennings D9/528
D565,415 S * 4/2008 Lablaine D9/531
D589,351 S * 3/2009 Caldwell D9/531
D608,208 S * 1/2010 Vaughan D9/533
D621,714 S * 8/2010 Watson D9/531
D660,163 S * 5/2012 Miller D9/528
D664,436 S * 7/2012 Schneider D9/528
D693,426 S * 11/2013 Mehra D23/211.1
D732,963 S * 6/2015 Hawry D9/528
D799,972 S * 10/2017 Jost D9/528
D824,767 S * 8/2018 Murphy D9/528

* cited by examiner

(30) **Foreign Application Priority Data**

Jul. 20, 2017 (WO) 4146601

(51) **LOC (12) Cl.** **09-01**

(52) **U.S. Cl.**
USPC **D9/533; D9/575**

(58) **Field of Classification Search**
USPC D9/516, 523, 527, 528, 530, 531-533,
D9/537, 538, 539, 560, 575, 715, 719
CPC B65D 23/10; B65D 1/0223; B65D 1/18;
B65D 15/22
See application file for complete search history.

(56) **References Cited**

U.S. PATENT DOCUMENTS

D248,830 S * 8/1978 Anderson D9/523
D294,557 S * 3/1988 Jones D9/523
D339,066 S * 9/1993 Brown D9/520
D349,056 S * 7/1994 Jaramillo D9/523
D377,604 S * 1/1997 Salmon D9/528
D377,759 S * 2/1997 Hot D9/520
D387,277 S * 12/1997 Dixon D9/528

Primary Examiner — Ian Simmons

Assistant Examiner — Keith Frank

(74) *Attorney, Agent, or Firm* — Meunier Carlin & Curfman LLC

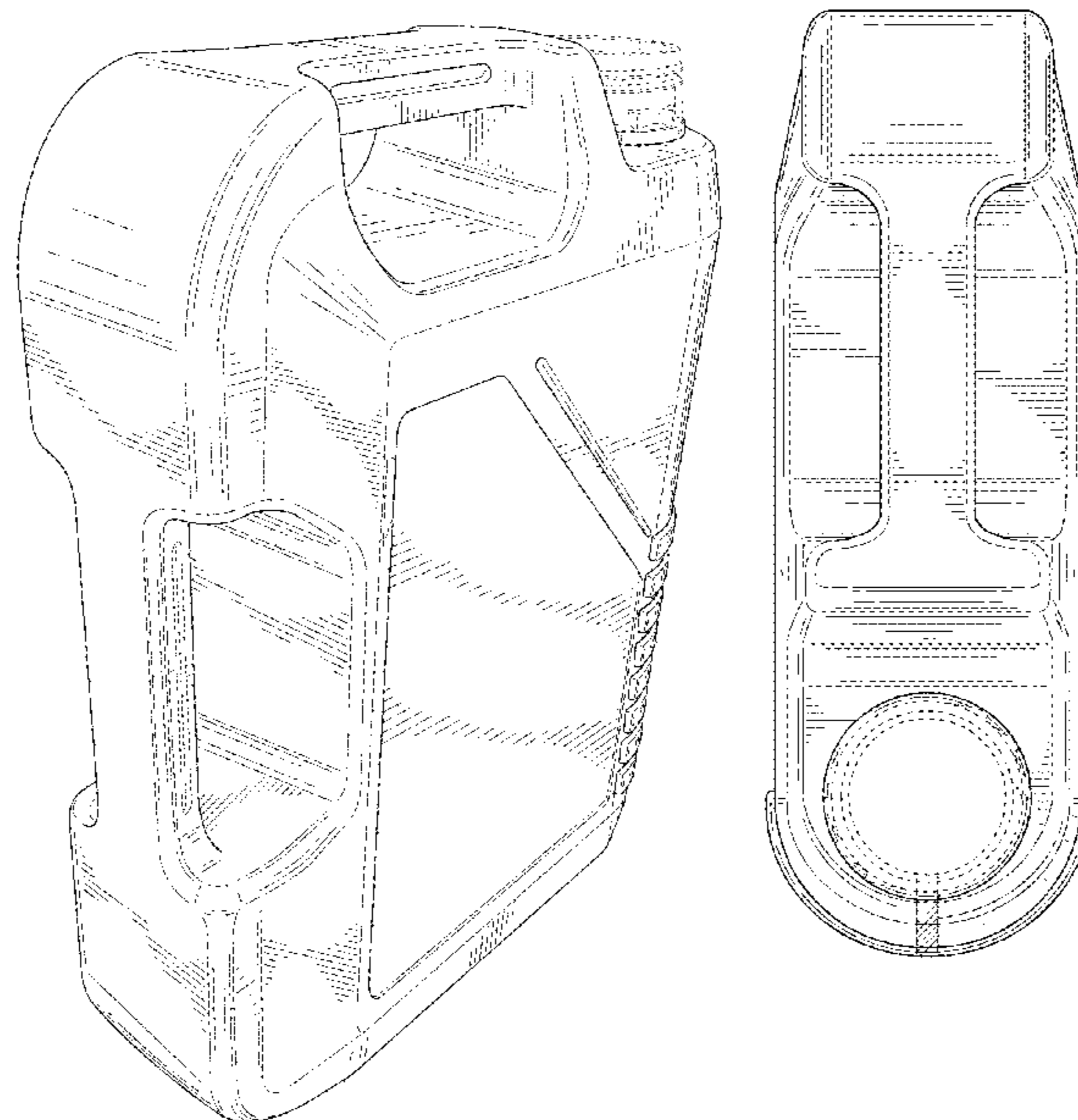
(57) **CLAIM**

The ornamental design for a bottle, as shown and described.

DESCRIPTION

FIG. 1 is a front perspective view of my new design.
FIG. 2 is a rear perspective view of my new design.
FIG. 3 is a front view of my new design.
FIG. 4 is rear view of my new design.
FIG. 5 is a right-side view of my new design.
FIG. 6 is a left-side view of my new design.
FIG. 7 is a top view of my new design; and,
FIG. 8 is bottom view of my new design.
The broken lines in the drawings showing the bottle illustrate the portions of the bottle that form no part of the claimed design.

1 Claim, 6 Drawing Sheets



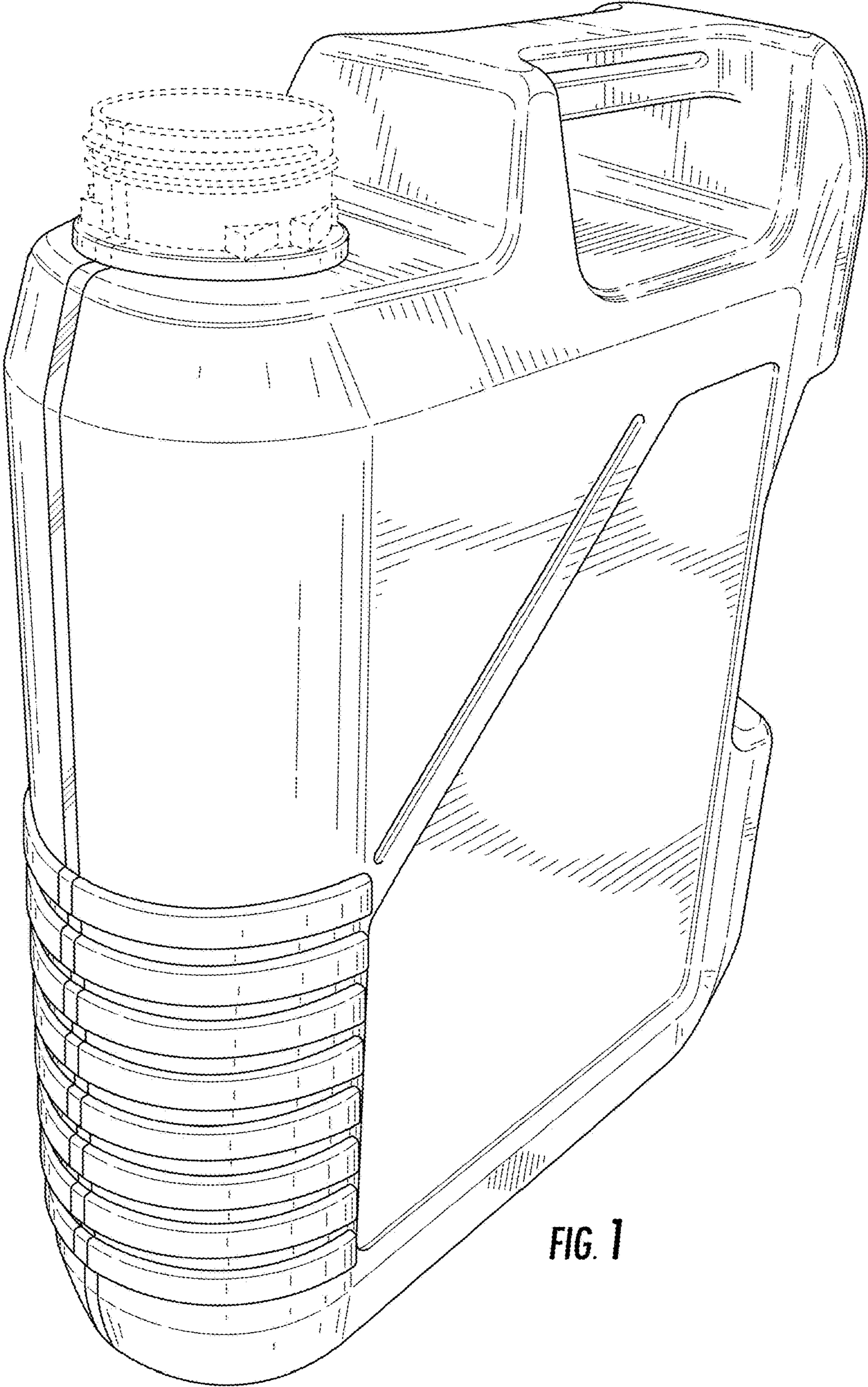
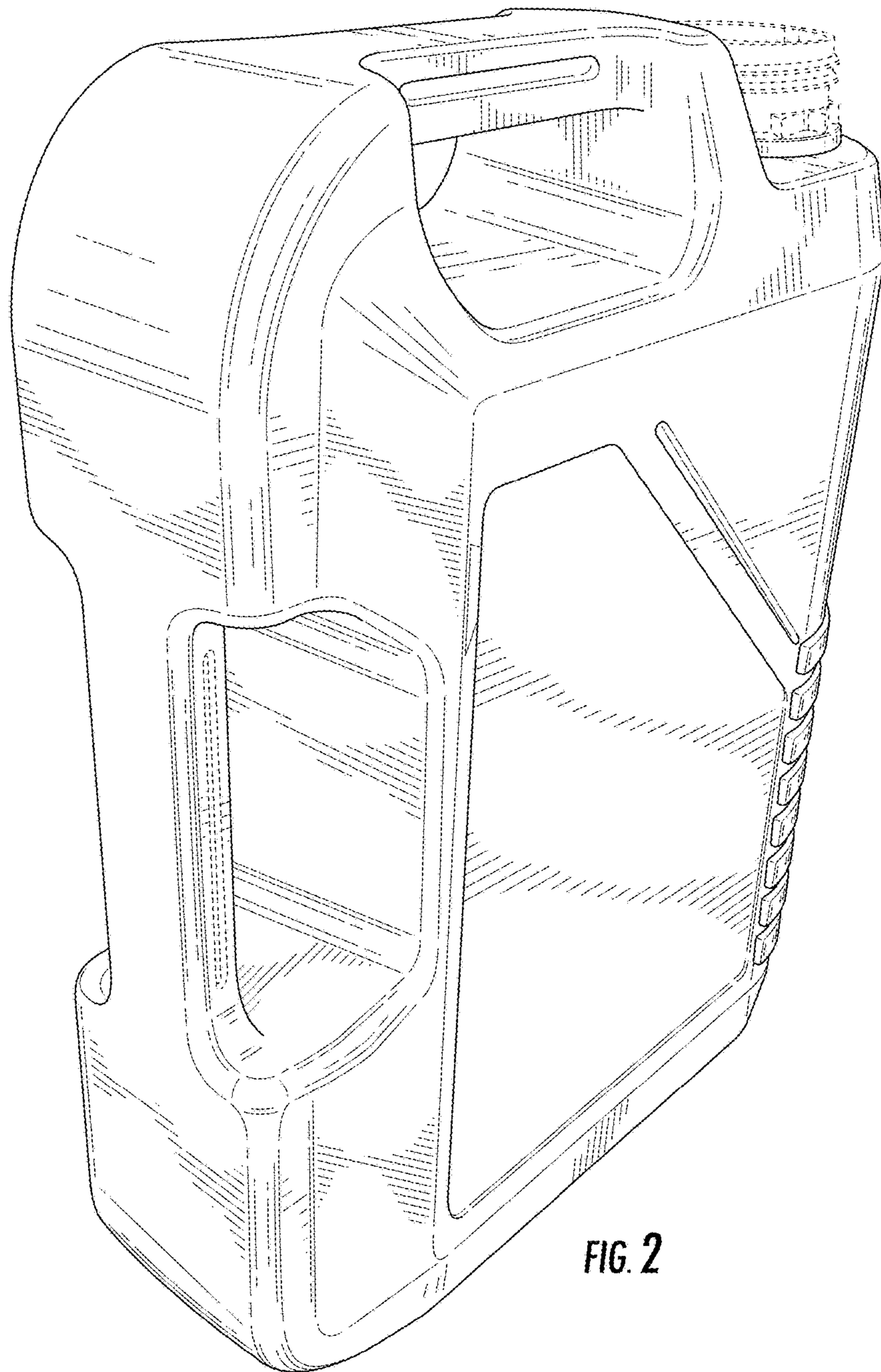


FIG. 1



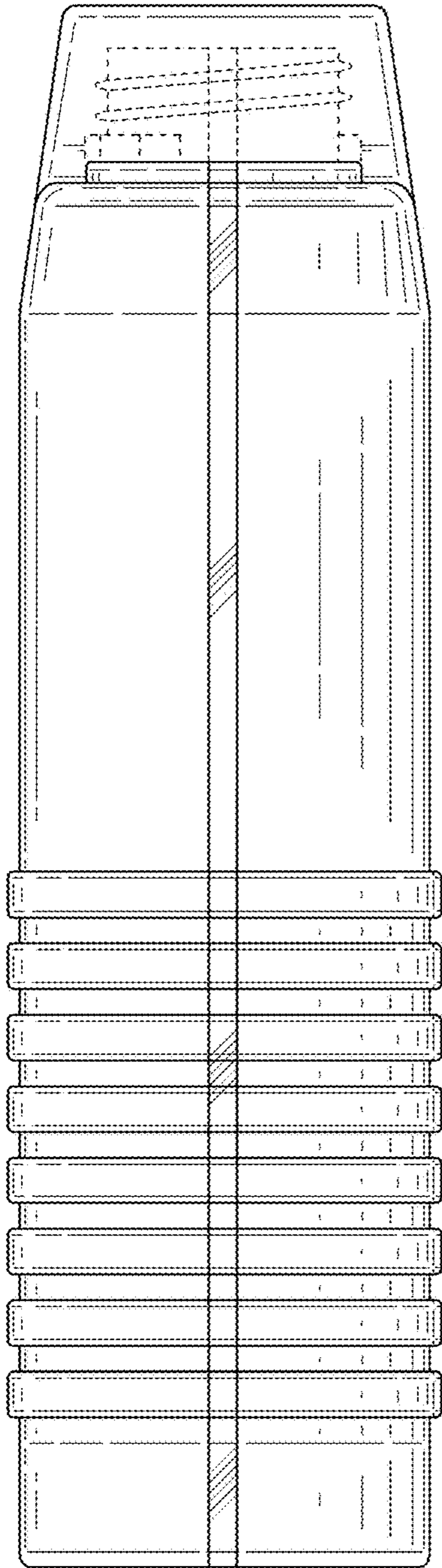


FIG. 3

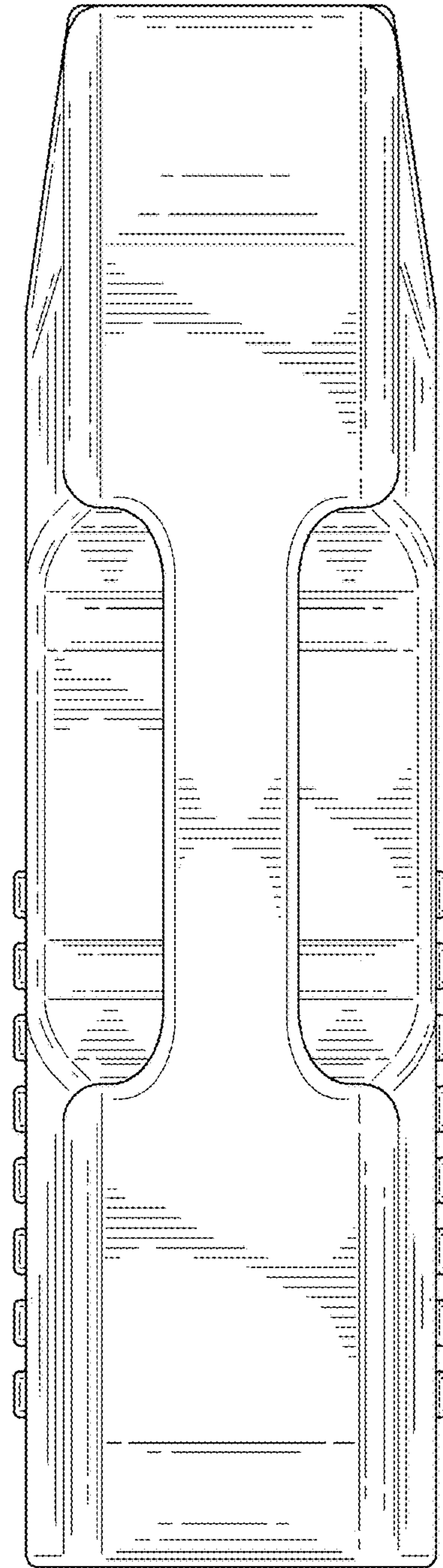


FIG. 4

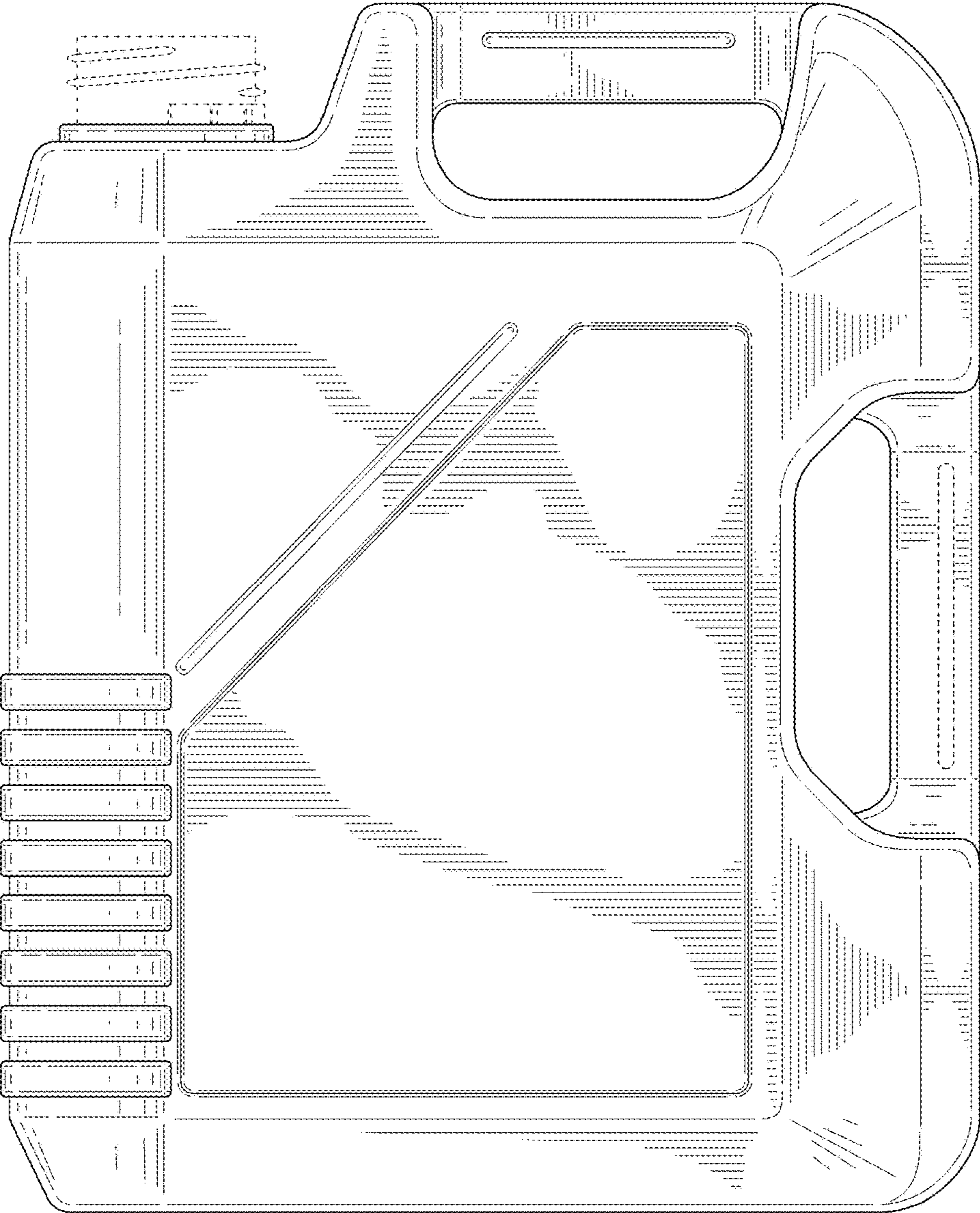


FIG. 5

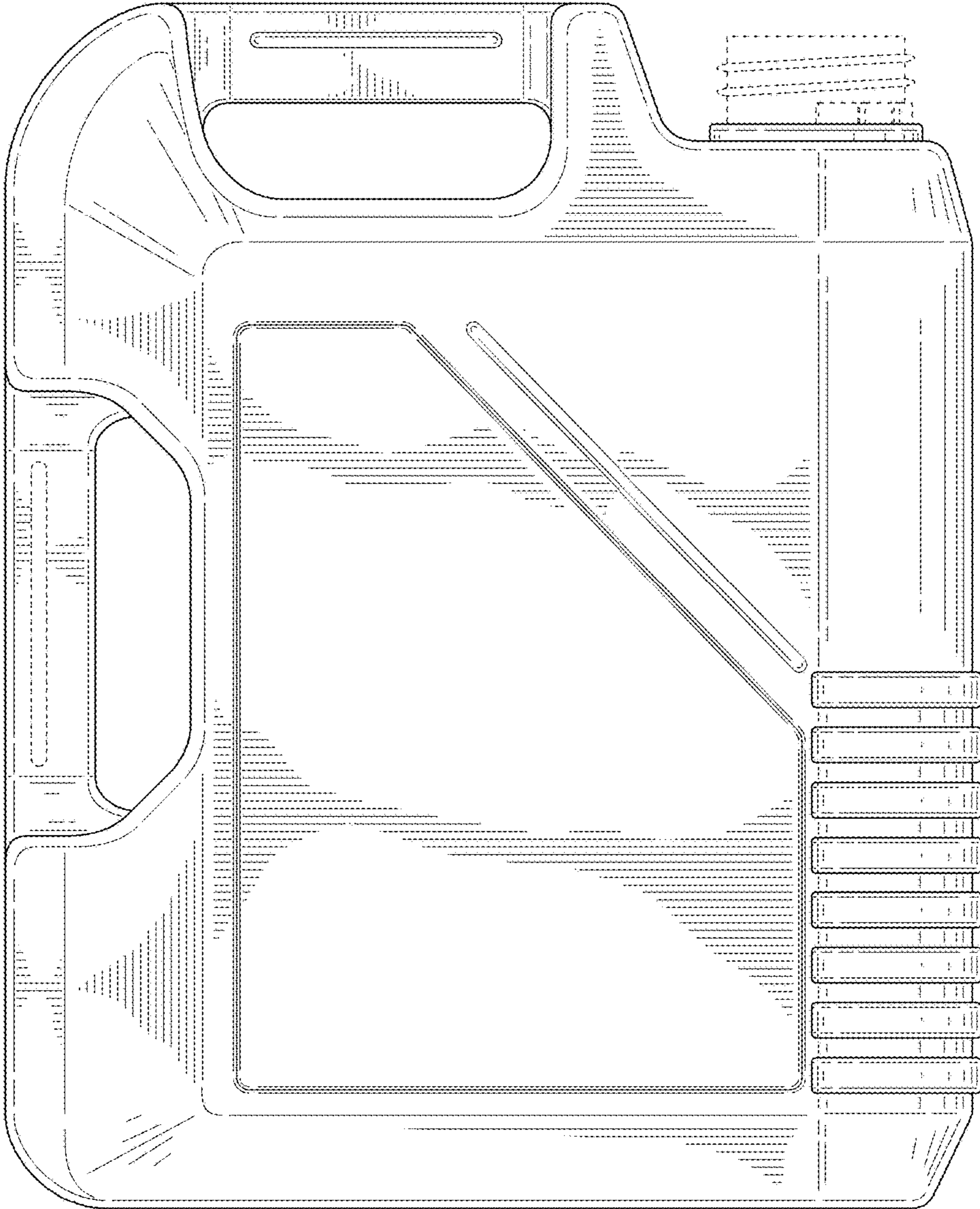


FIG. 6

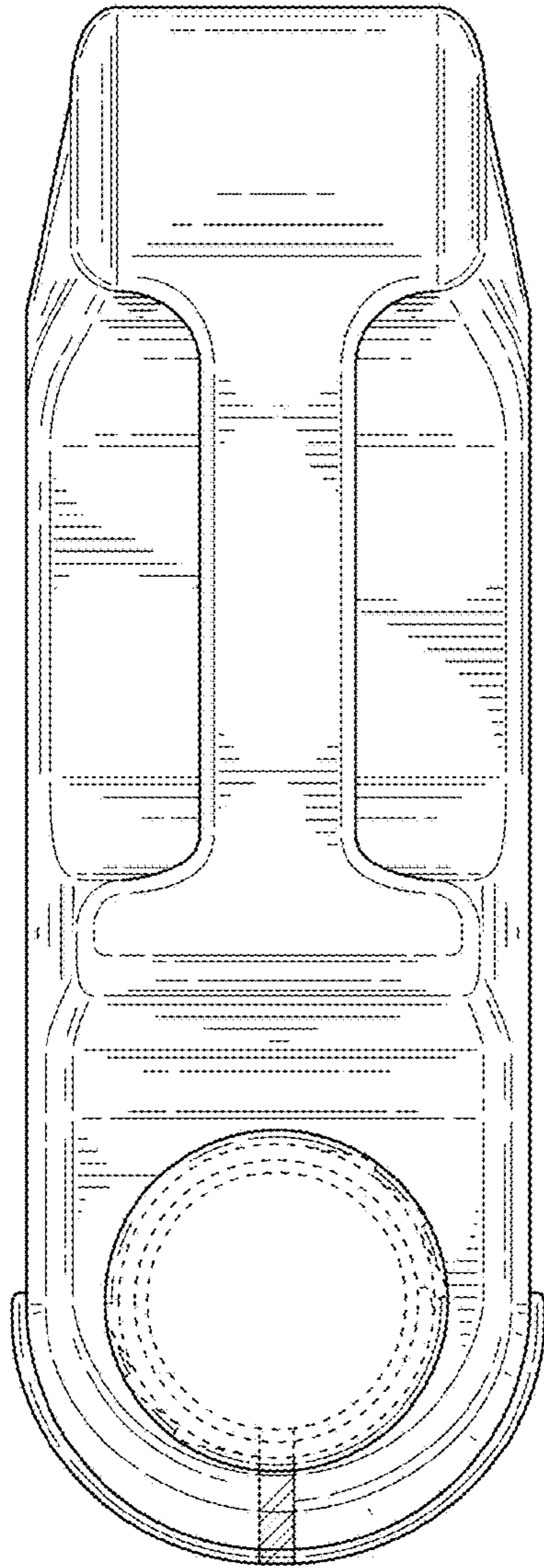


FIG. 7

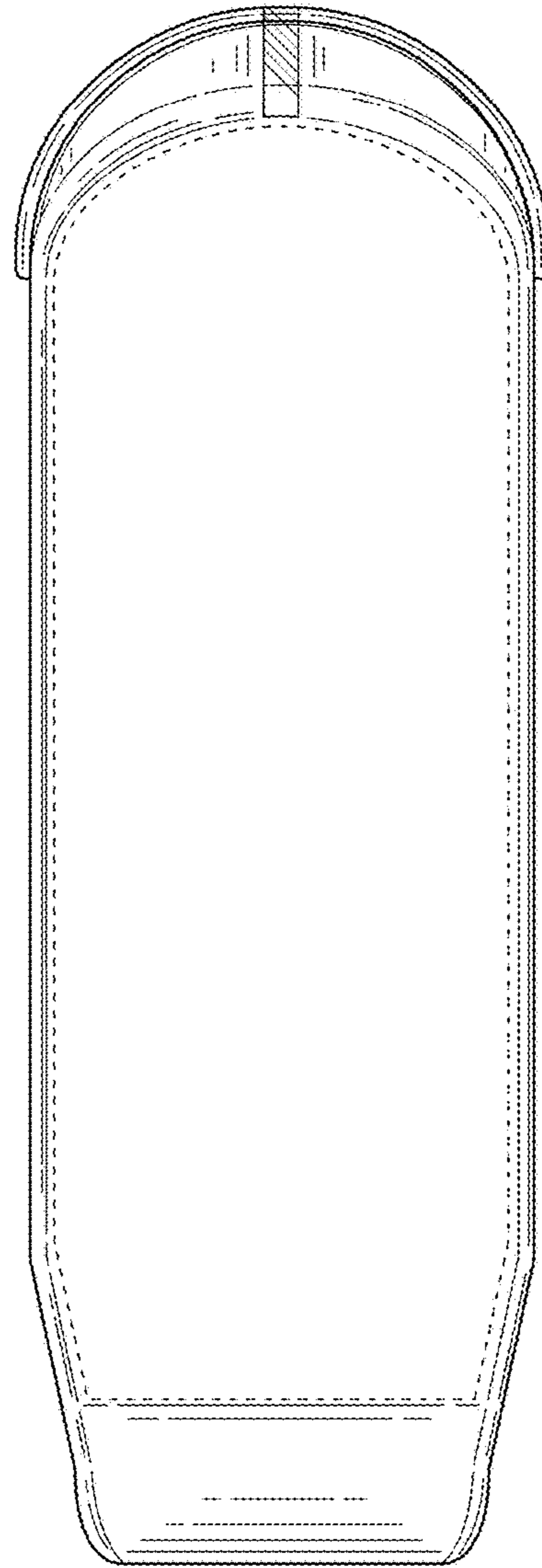


FIG. 8