



US00D867888S

(12) **United States Design Patent** (10) **Patent No.:** **US D867,888 S**
Essenburg (45) **Date of Patent:** **** Nov. 26, 2019**

(54) **CHEMICAL CONTAINER**

(71) Applicant: **VQ, Inc.**, Holland, MI (US)
(72) Inventor: **Ryan J. Essenburg**, Holland, MI (US)
(73) Assignee: **VQ, INC.**, Holland, MI (US)
(**) Term: **15 Years**

(21) Appl. No.: **29/645,137**
(22) Filed: **Apr. 24, 2018**
(51) **LOC (12) Cl.** **09-01**
(52) **U.S. Cl.**
USPC **D9/531**; D9/520; D9/521; D9/542
(58) **Field of Classification Search**
USPC D9/434, 516, 520–521, 522, 528,
D9/530–531, 541–542, 548, 574–575,
D9/715, 719, 733; D23/211.1;
D24/121–122, 207, 224; D6/542
CPC B65D 1/00; B65D 1/02; B65D 1/0223;
B65D 1/0261; B65D 1/0284; B65D
23/00; B65D 23/003; B65D 23/10; B65D
2501/00; B65D 2501/0009; B65D
2501/0081

See application file for complete search history.

(56) **References Cited**

U.S. PATENT DOCUMENTS

D297,212 S *	8/1988	Stavish	D9/520
D485,189 S *	1/2004	Montalbano	D9/528
D528,425 S *	9/2006	Van Dorin	D9/524
D569,476 S *	5/2008	Munlin	D23/211.1
D769,123 S *	10/2016	Hegarty	D9/527
D769,548 S *	10/2016	Spiegel	D30/121
D781,155 S *	3/2017	Hegarty	D9/531
D817,769 S *	5/2018	Hegarty	D9/531
D830,179 S *	10/2018	Spiegel	D9/531

OTHER PUBLICATIONS

FLO-FAST™ 15 Gallon Polyethylene Gas Can, downloaded from https://www.globalindustrial.com/p/safety/safety-cans/gas/15-gallon-polyethylene-gas-can-red-15501?infoParam.campaignId=T9F&gclid=EAlalQobChMIIt-EmpG_2gIVhrfACh3l2wEYEAQYAiABEgJ6QvD_BwE, (viewed Feb. 2, 2018).
GOJO® Antibacterial Foaming Soap Refill Bottle—1,200 mL with installation manual downloaded from https://www.uline.com/Product/Detail/S-12765/Hand-Soaps-and-Sanitizers/GOJO-Antibacterial-Foaming-Soap-Refill-Bottle-1200-mL?pricode=WA92388tgadtype=pla&id=S-12765&gclid=EAlalQobChMIz6334srB2gIVHJ7ACh2DRQ90EAYYASABEgIZBfD_BwE&gclsrc=aw.ds (viewed Apr. 9, 2018).

* cited by examiner

Primary Examiner — Dana Meyrow

(74) *Attorney, Agent, or Firm* — Warner Norcross + Judd LLP

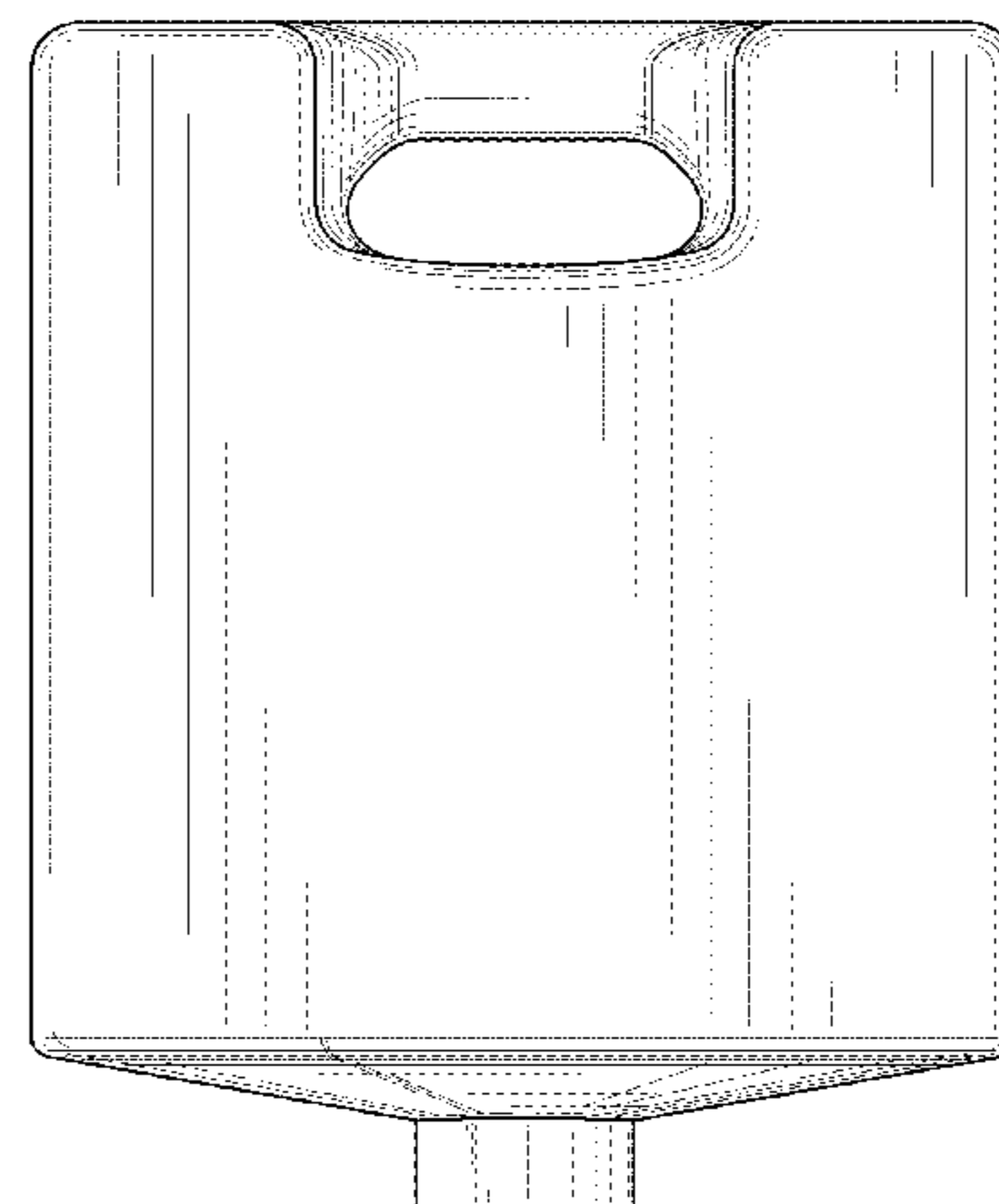
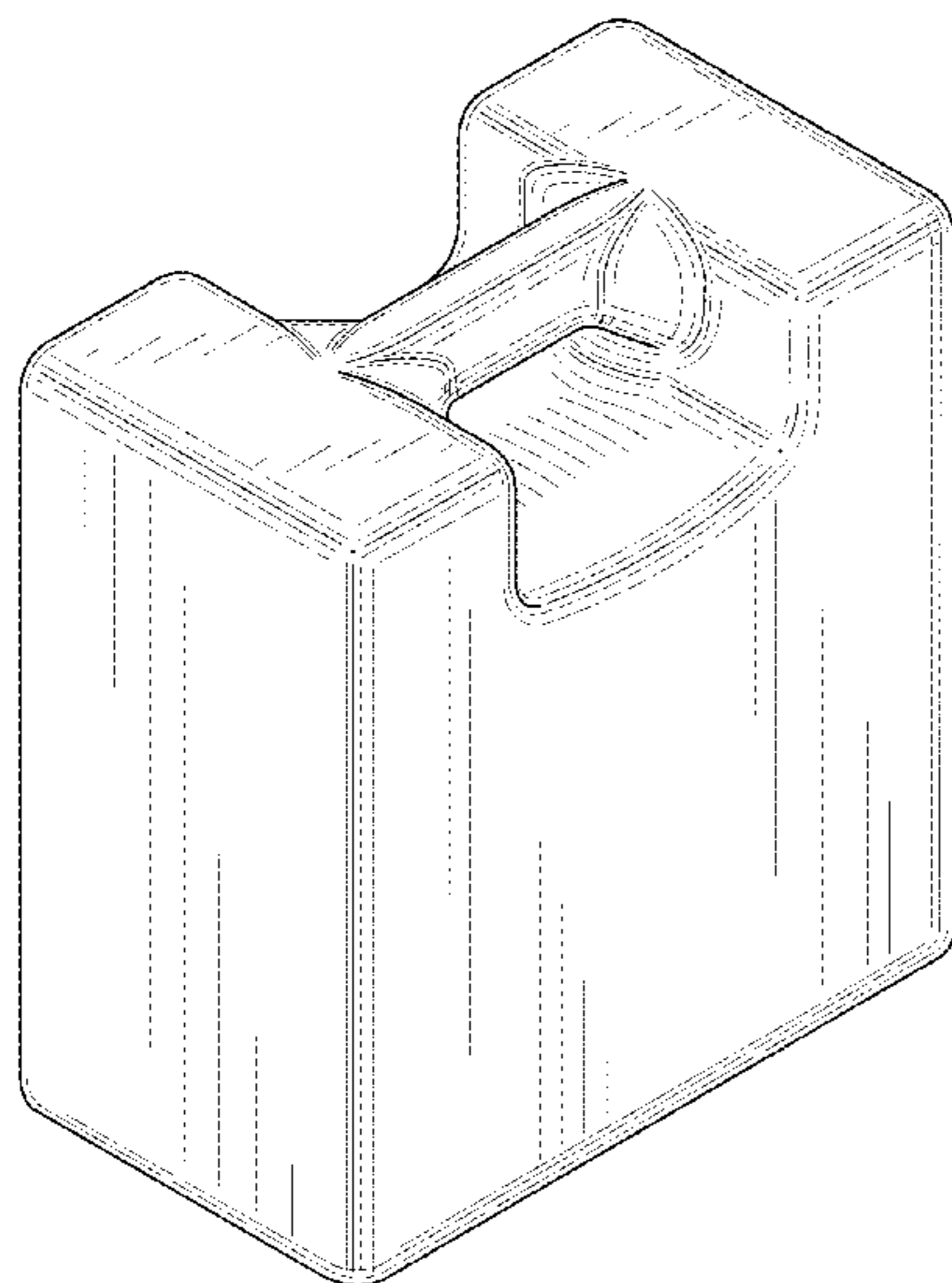
(57) **CLAIM**

The ornamental design for a chemical container, as shown and described.

DESCRIPTION

FIG. 1 is an upper perspective view of the chemical container embodying the new design;
FIG. 2 is a front view thereof, the rear view being a mirror view thereof;
FIG. 3 is a right side view thereof, the left side being a mirror view thereof;
FIG. 4 is a top view thereof; and,
FIG. 5 is a bottom view thereof.
The broken line in FIG. 5 defines the bounds of the claim and forms no part of the claimed design.

1 Claim, 4 Drawing Sheets



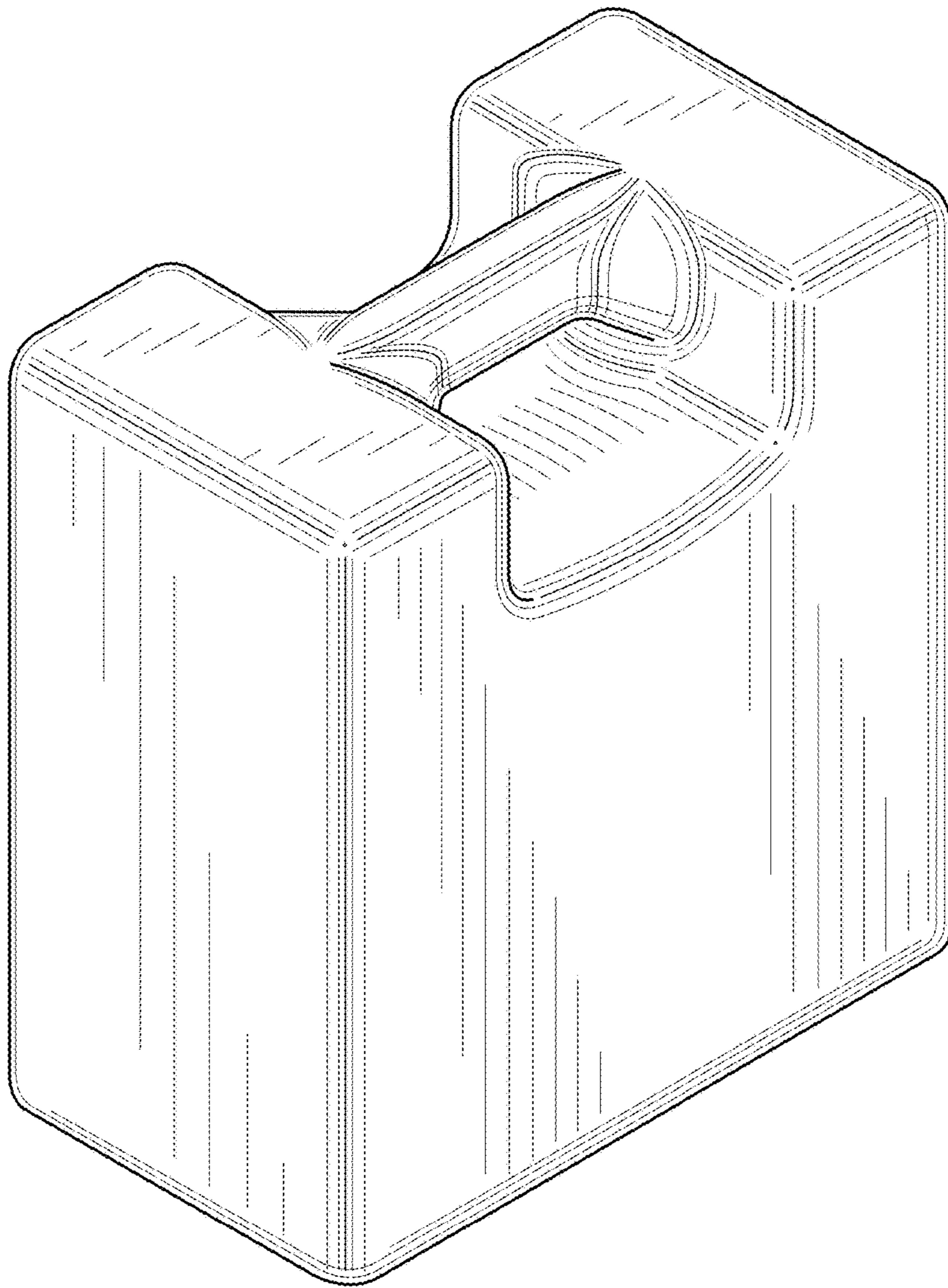


Fig. 1

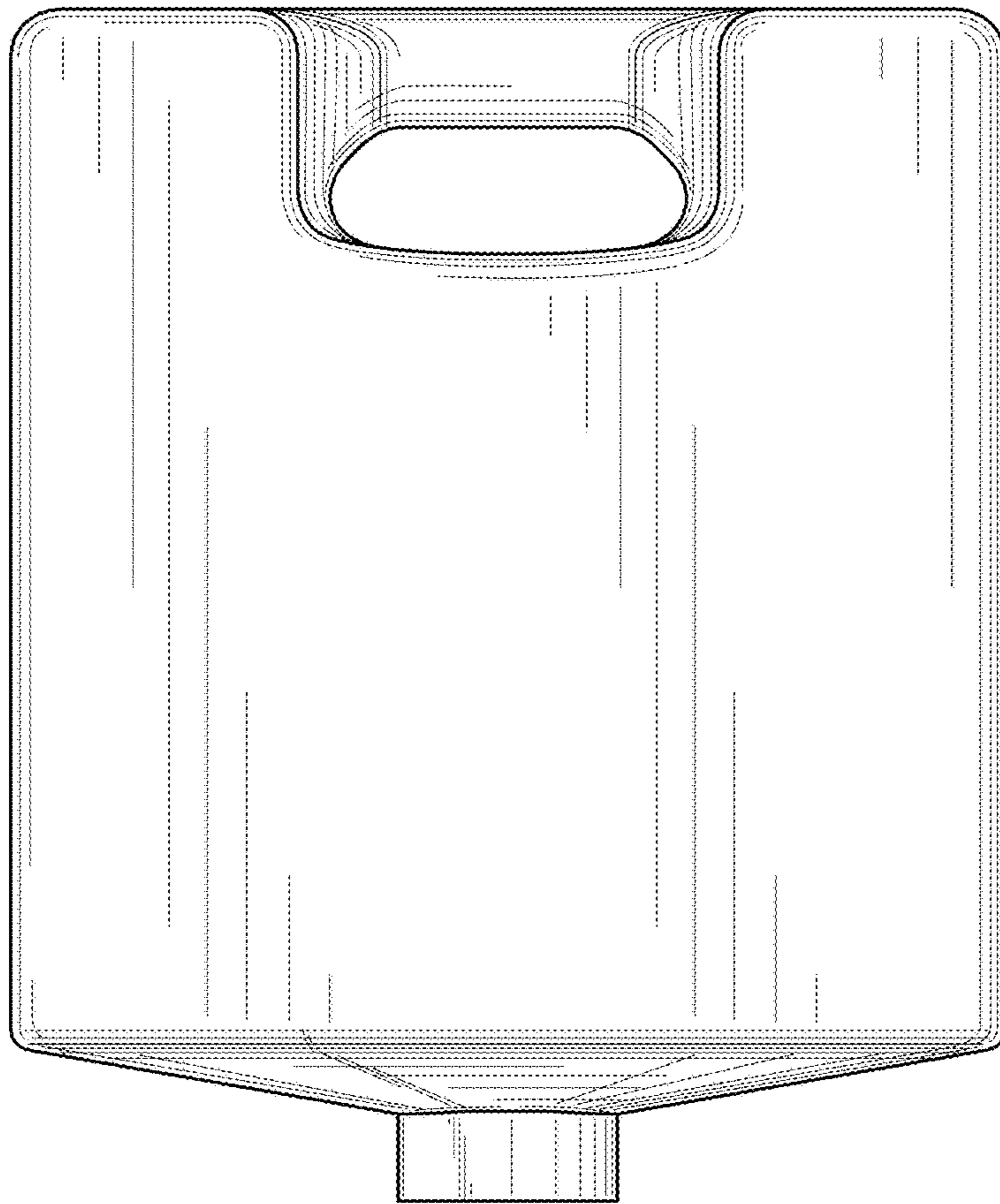


Fig. 2

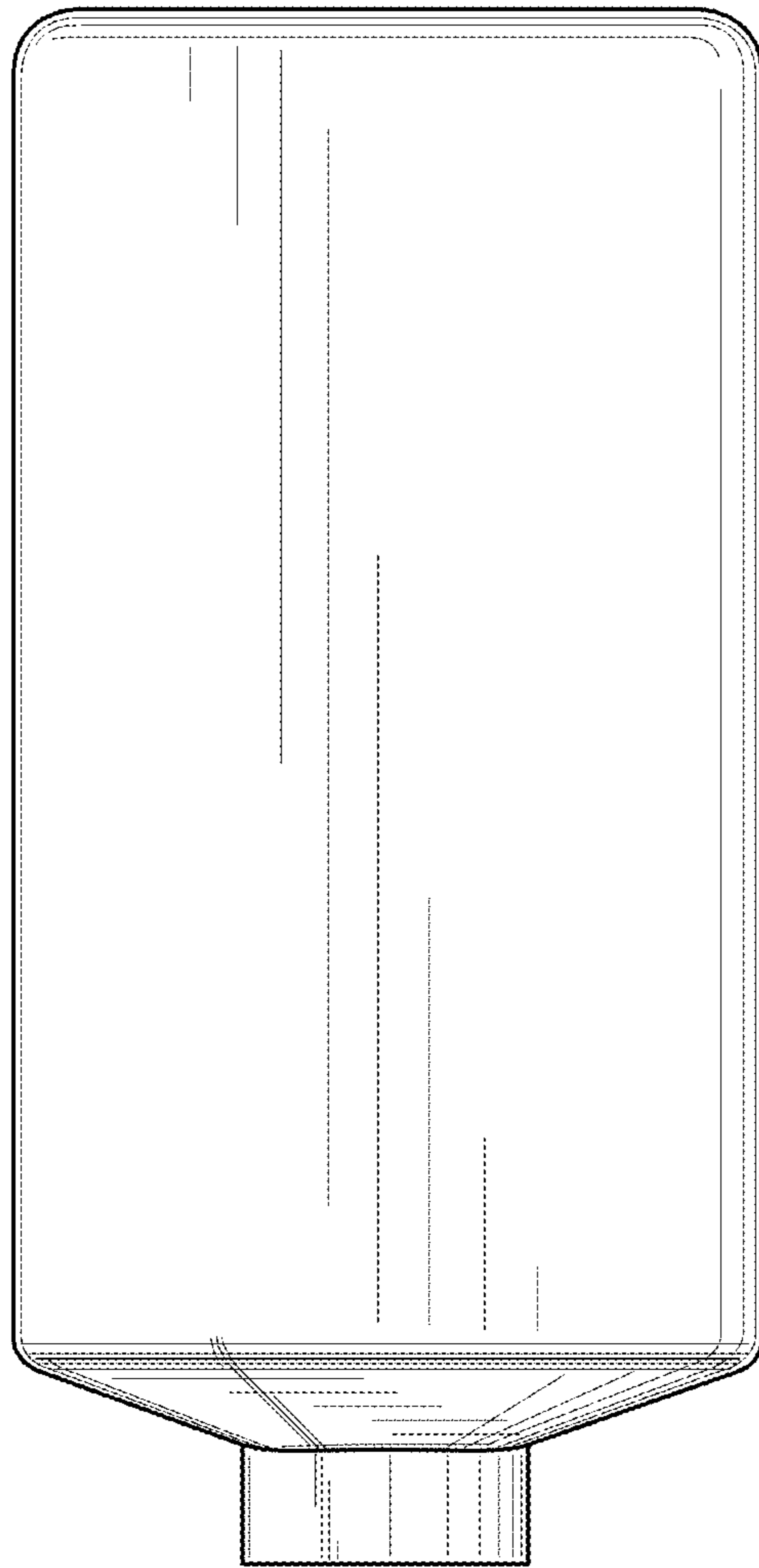


Fig. 3

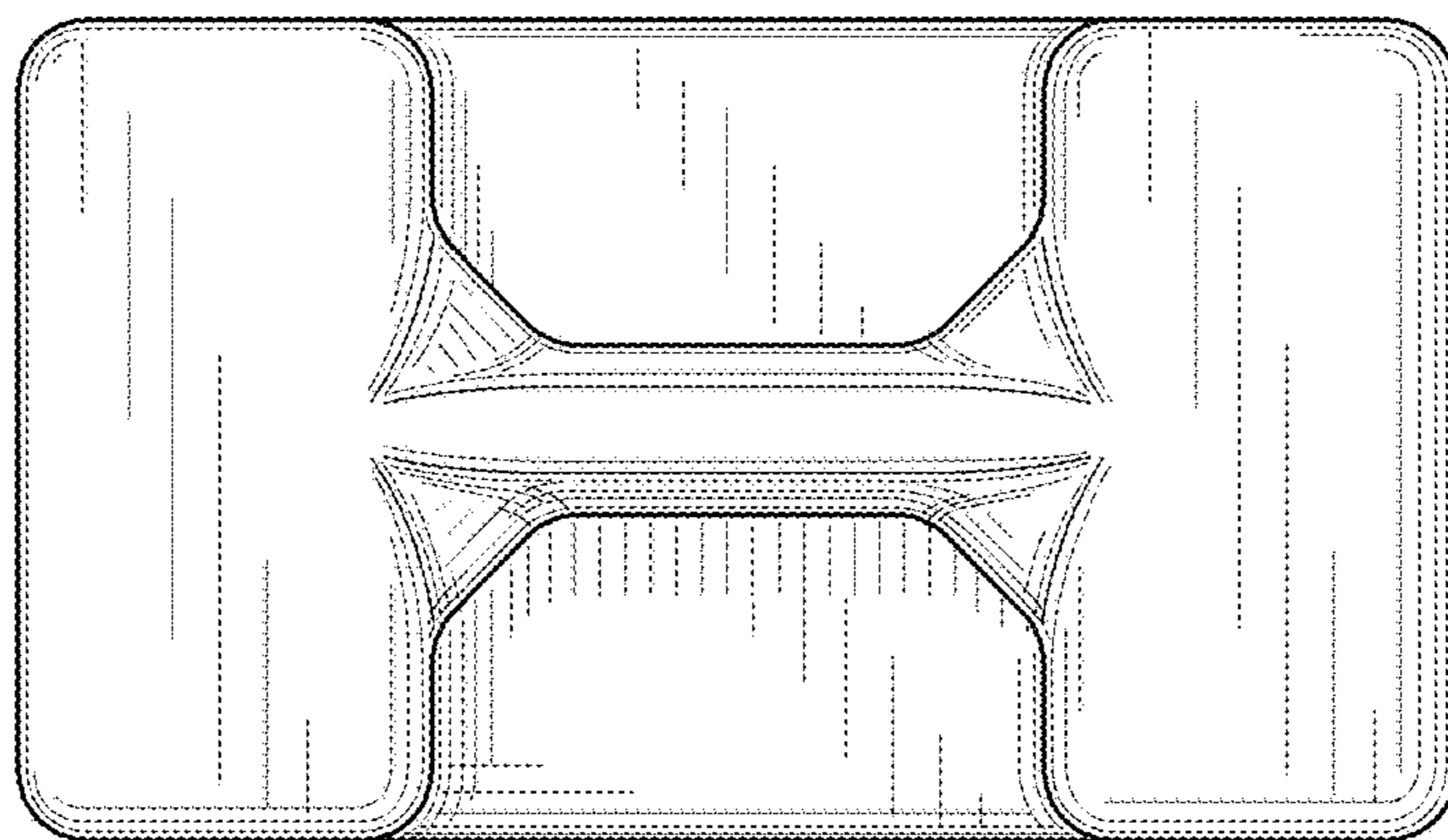


Fig. 4

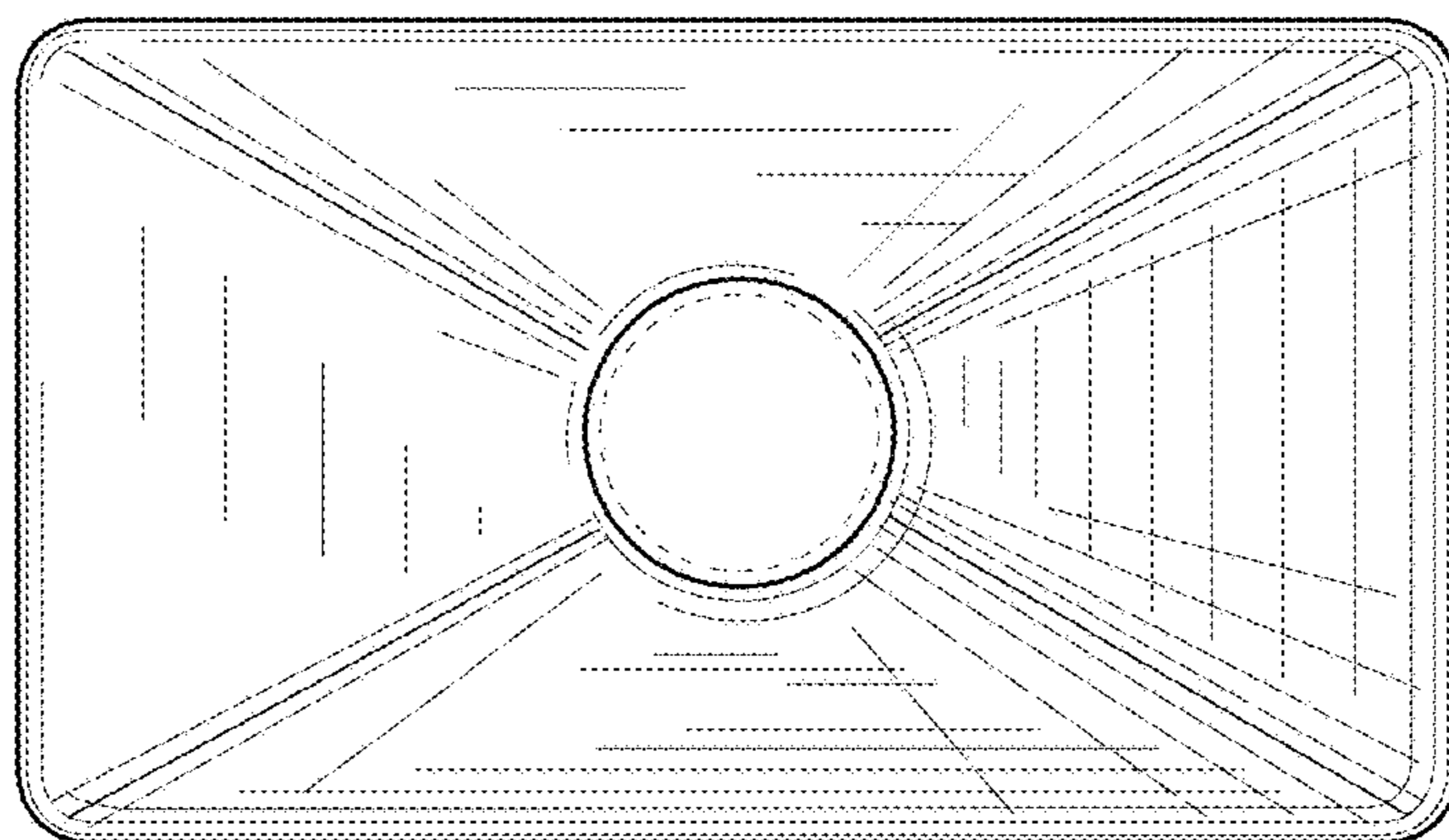


Fig. 5