

US00D867887S

(12) **United States Design Patent**
Ko et al.

(10) **Patent No.:** **US D867,887 S**

(45) **Date of Patent:** **** Nov. 26, 2019**

(54) **BOTTLE**

(71) Applicant: **THE CLOROX COMPANY**, Oakland, CA (US)

(72) Inventors: **Jin Ko**, Pleasanton, CA (US); **Kerry Azelton**, Pleasanton, CA (US); **Walter Schenck**, Pleasanton, CA (US)

(73) Assignee: **The Clorox Company**, Oakland, CA (US)

(**) Term: **15 Years**

(21) Appl. No.: **29/653,516**

(22) Filed: **Jun. 15, 2018**

(51) **LOC (12) Cl.** **09-01**

(52) **U.S. Cl.**

USPC **D9/516**; D9/528; D9/423

(58) **Field of Classification Search**

USPC D26/423, 432, 434, 516, 523, 527, 528, D26/530, 531; D7/300, 302, 314, 316, D7/318, 320, 393, 619.1

CPC . B65D 1/00; B65D 1/02; B65D 1/023; B65D 2501/00; B65D 2501/0009; B65D 2501/24363; B65D 2501/24369; B65D 2501/24509; B65D 23/10; B65D 23/102; B65D 23/106; B65D 23/108; B65D 81/38; B65D 25/2867; B65D 25/2882

See application file for complete search history.

(56) **References Cited**

U.S. PATENT DOCUMENTS

D225,101 S * 11/1972 Marchetti D9/527
D245,577 S * 8/1977 Smythe D9/524
D256,665 S * 9/1980 Smythe D9/527
D264,556 S * 5/1982 Hestehave D9/517
D272,318 S * 1/1984 Visser D9/520
D274,130 S * 6/1984 Collins, II D9/528

D274,223 S * 6/1984 Turnbull D9/523
D278,031 S * 3/1985 Elmburg D23/211.2
D279,078 S * 6/1985 Franchi D9/528
D286,615 S * 11/1986 Lyons D9/520
D310,170 S * 8/1990 Bartz D15/152
D507,183 S * 7/2005 Spellissy D9/430
D514,941 S * 2/2006 Darr D9/523
D521,870 S * 5/2006 Miller D9/528
D528,424 S * 9/2006 Archeny B65D 25/2894
D9/527
8,511,492 B2 * 8/2013 Webster B65D 47/06
D9/527
D735,049 S * 7/2015 Cornelius D9/652
D744,840 S * 12/2015 Hawry D9/529
D765,513 S * 9/2016 McCay D9/516
D798,721 S * 10/2017 Duke D9/527
D824,767 S * 8/2018 Murphy D9/528
D826,056 S * 8/2018 Salotti D9/528
D833,296 S * 11/2018 Wright D9/683
D852,633 S * 7/2019 Bradley D9/528

(Continued)

Primary Examiner — Wan Laymon

Assistant Examiner — Clint A Samuel

(74) *Attorney, Agent, or Firm* — Alok Goel

(57)

CLAIM

The ornamental design for a bottle, as shown and described.

DESCRIPTION

FIG. 1 is a top perspective view of a bottle according to the invention;

FIG. 2 is a bottom perspective view thereof;

FIG. 3 is a front view thereof;

FIG. 4 is a rear view thereof;

FIG. 5 is a first side view thereof;

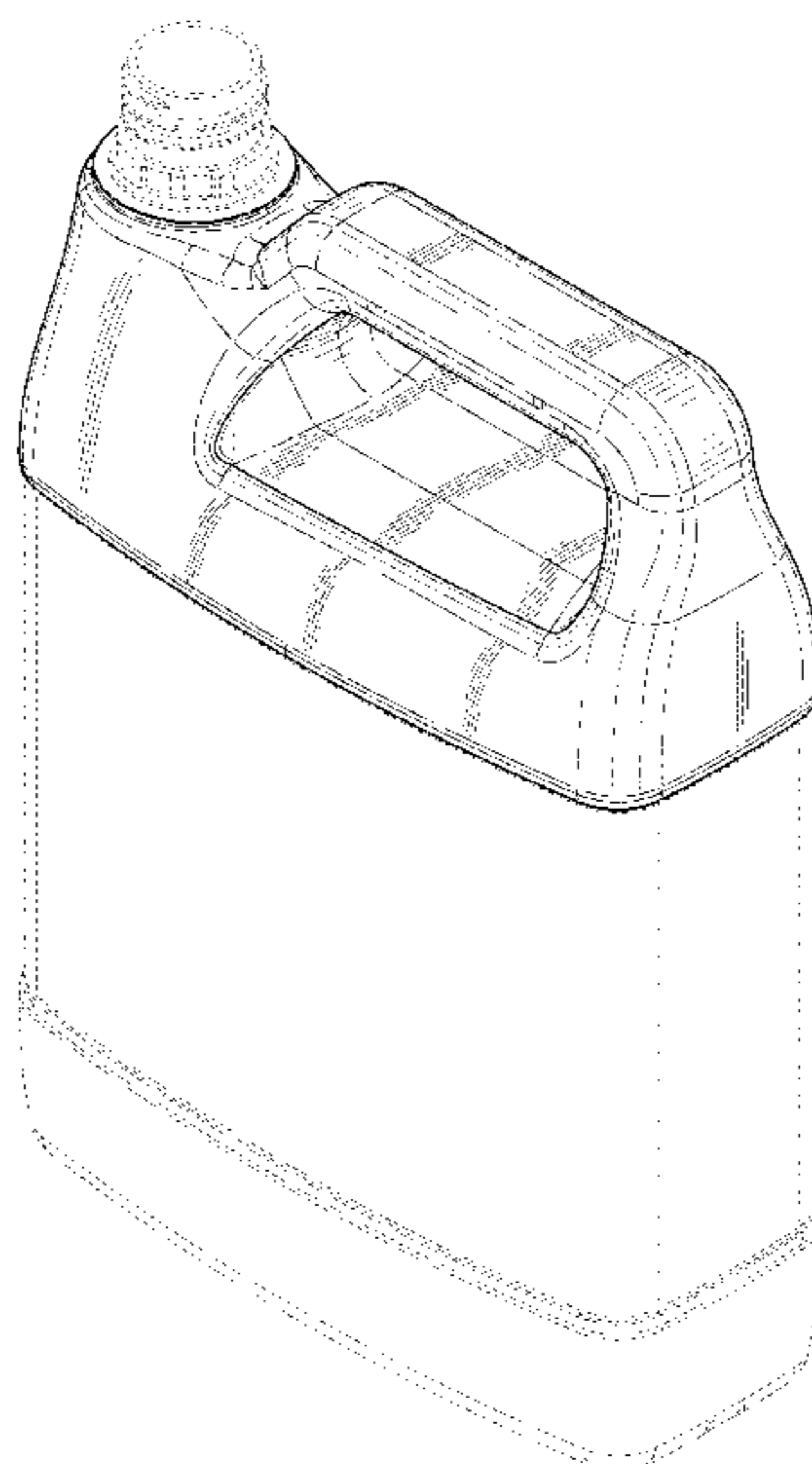
FIG. 6 is an opposite, second side view thereof;

FIG. 7 is a top view thereof; and,

FIG. 8 is a bottom view thereof.

The broken lines depict portions of the bottle that form no part of the claimed design.

1 Claim, 6 Drawing Sheets



(56)

References Cited

U.S. PATENT DOCUMENTS

2007/0068897 A1* 3/2007 Miller B65D 23/10
215/398
2017/0225837 A1* 8/2017 Clemence B65D 25/40

* cited by examiner

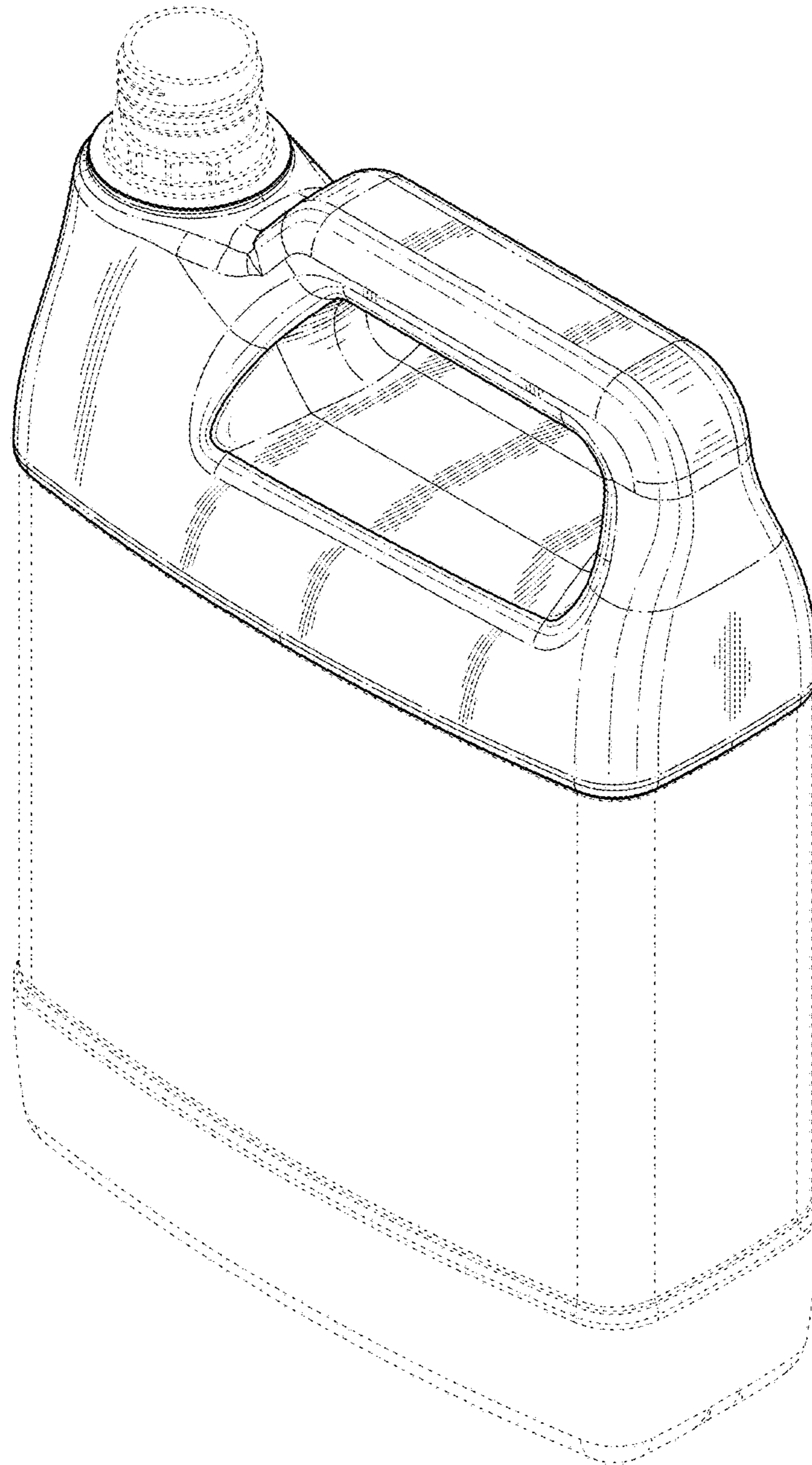


FIG. 1

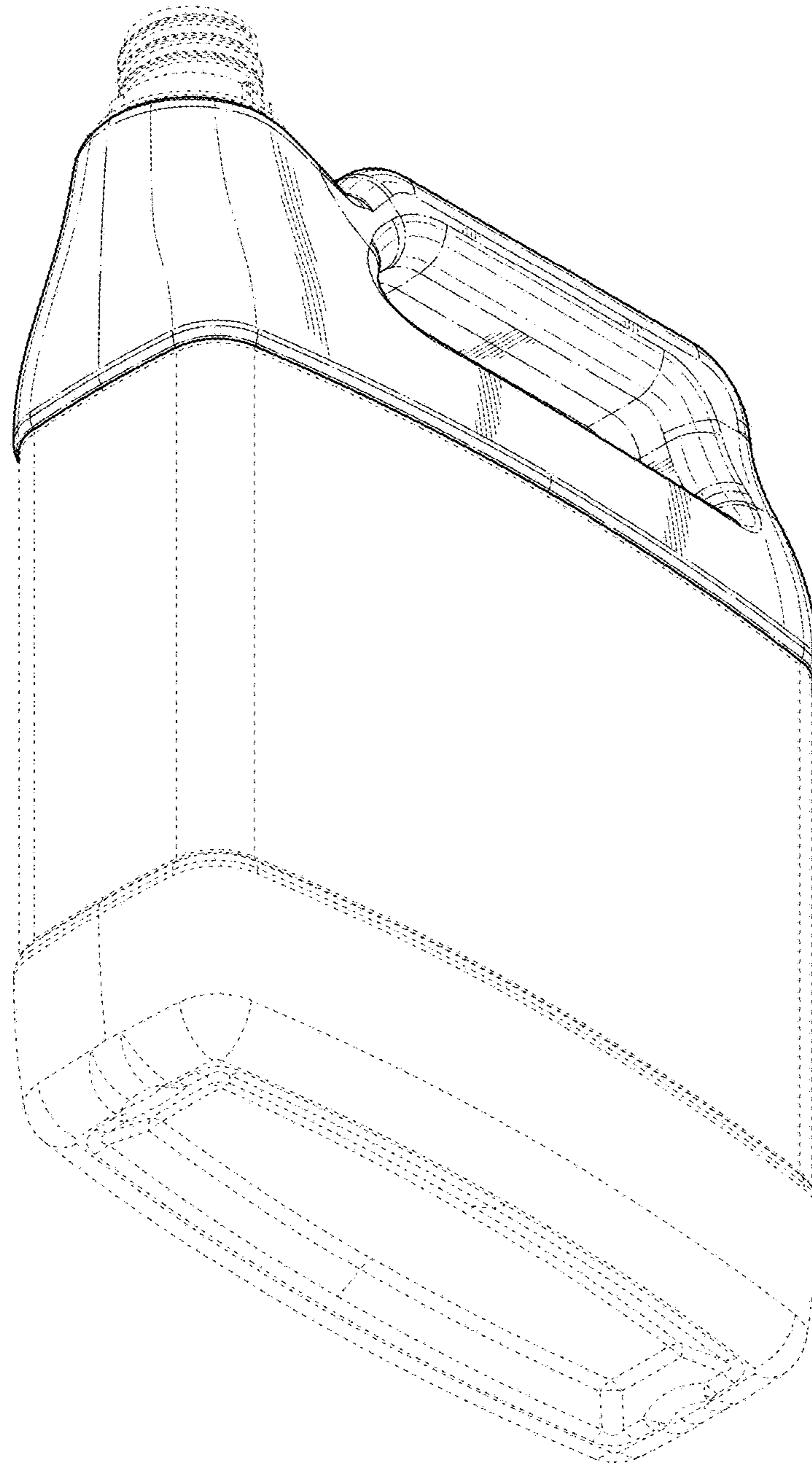


FIG. 2

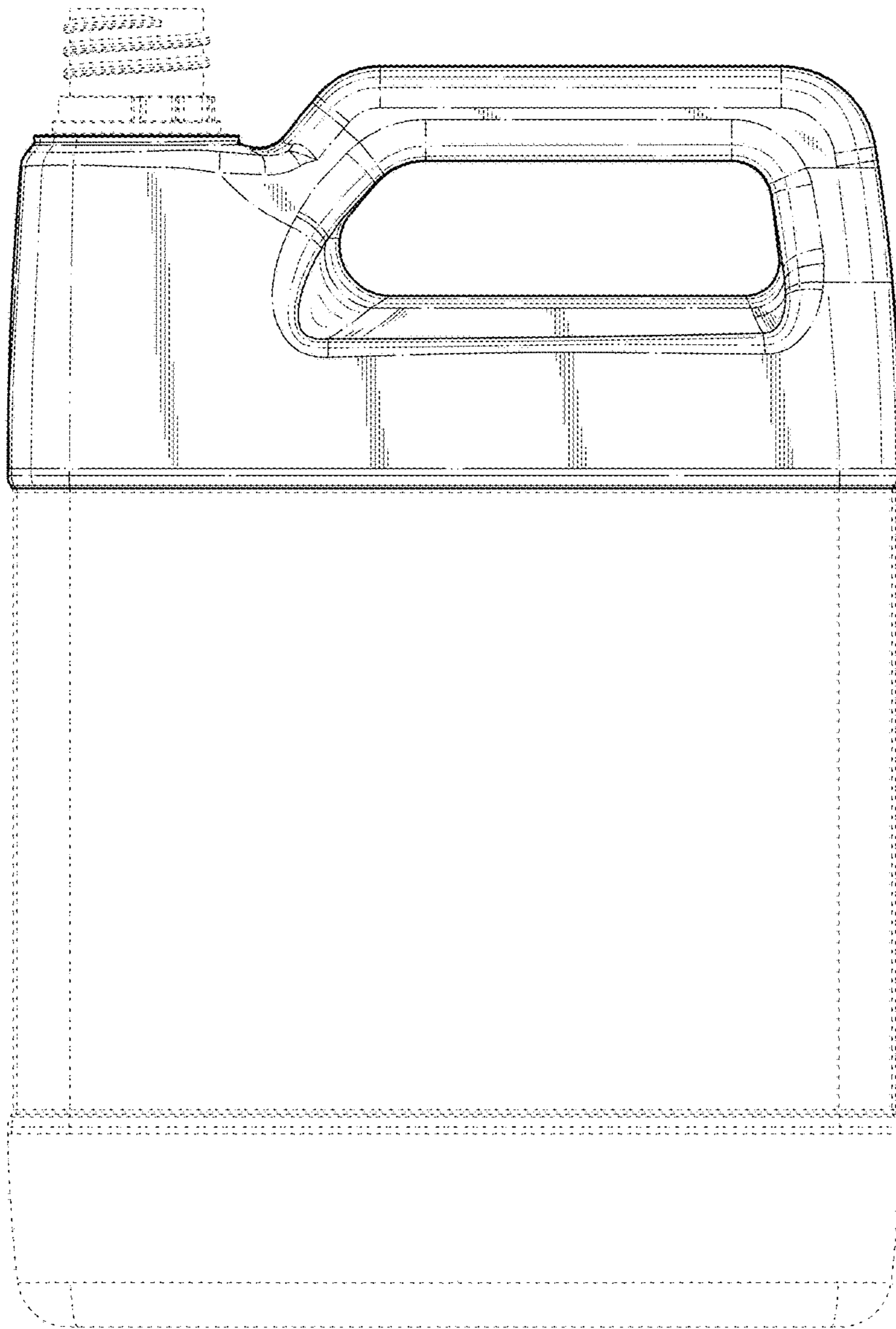


FIG. 3

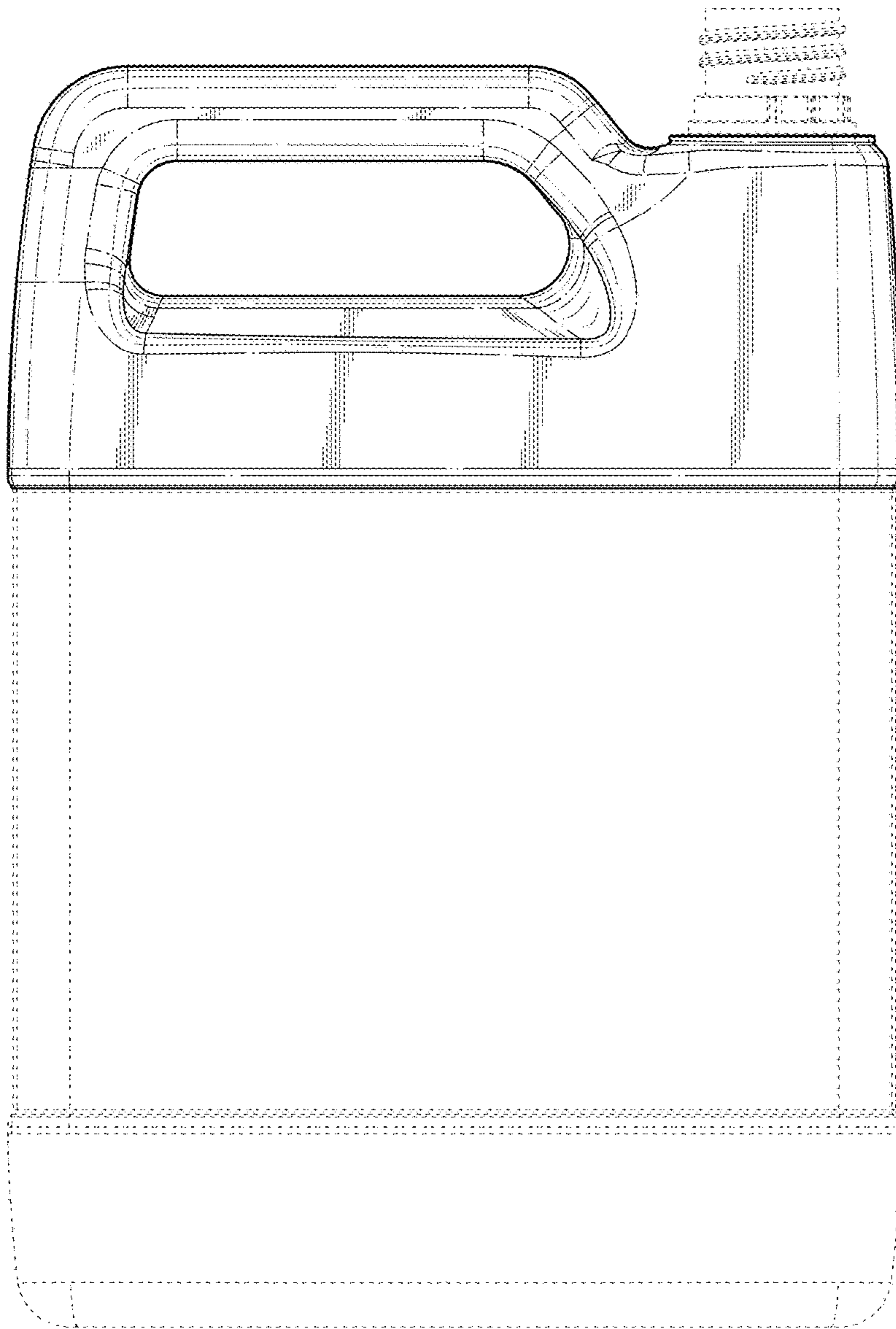


FIG. 4

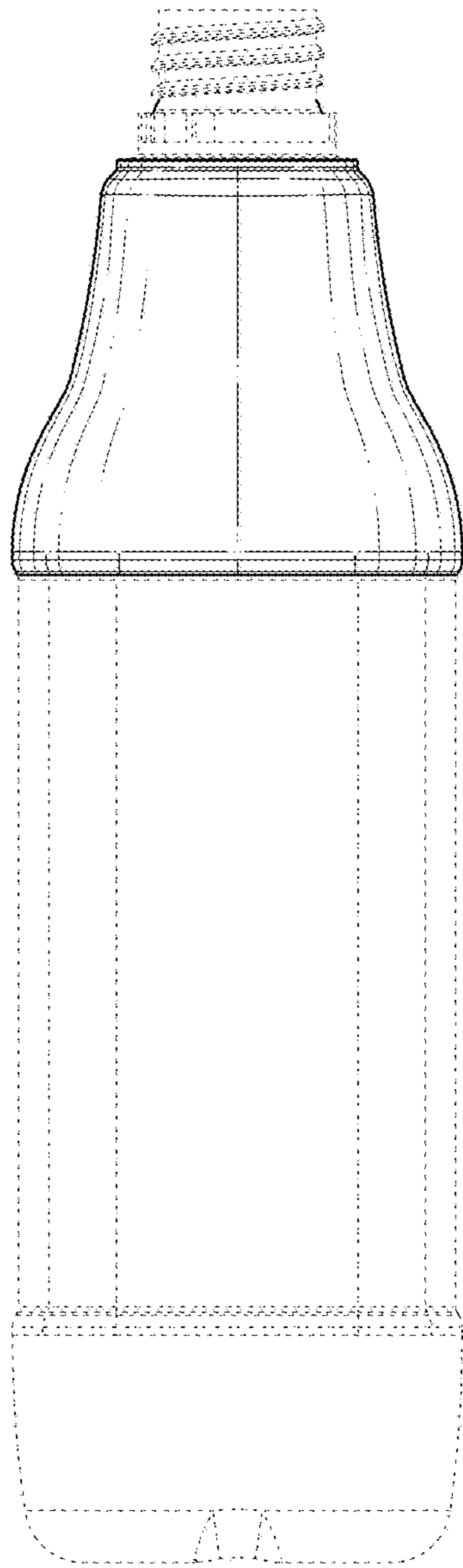


FIG. 5

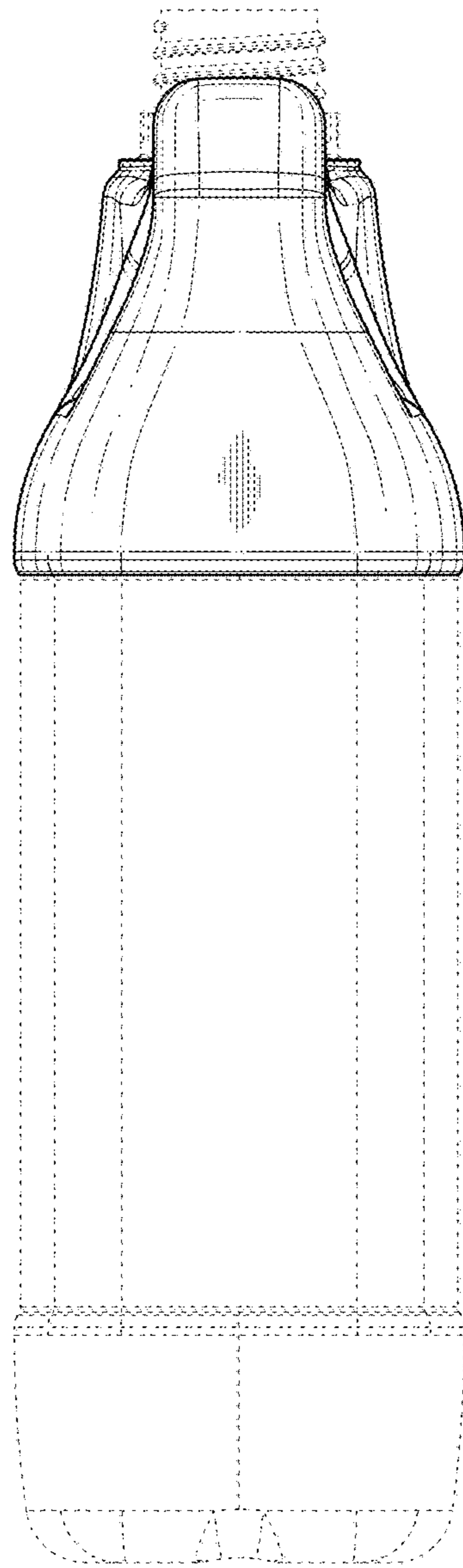


FIG. 6

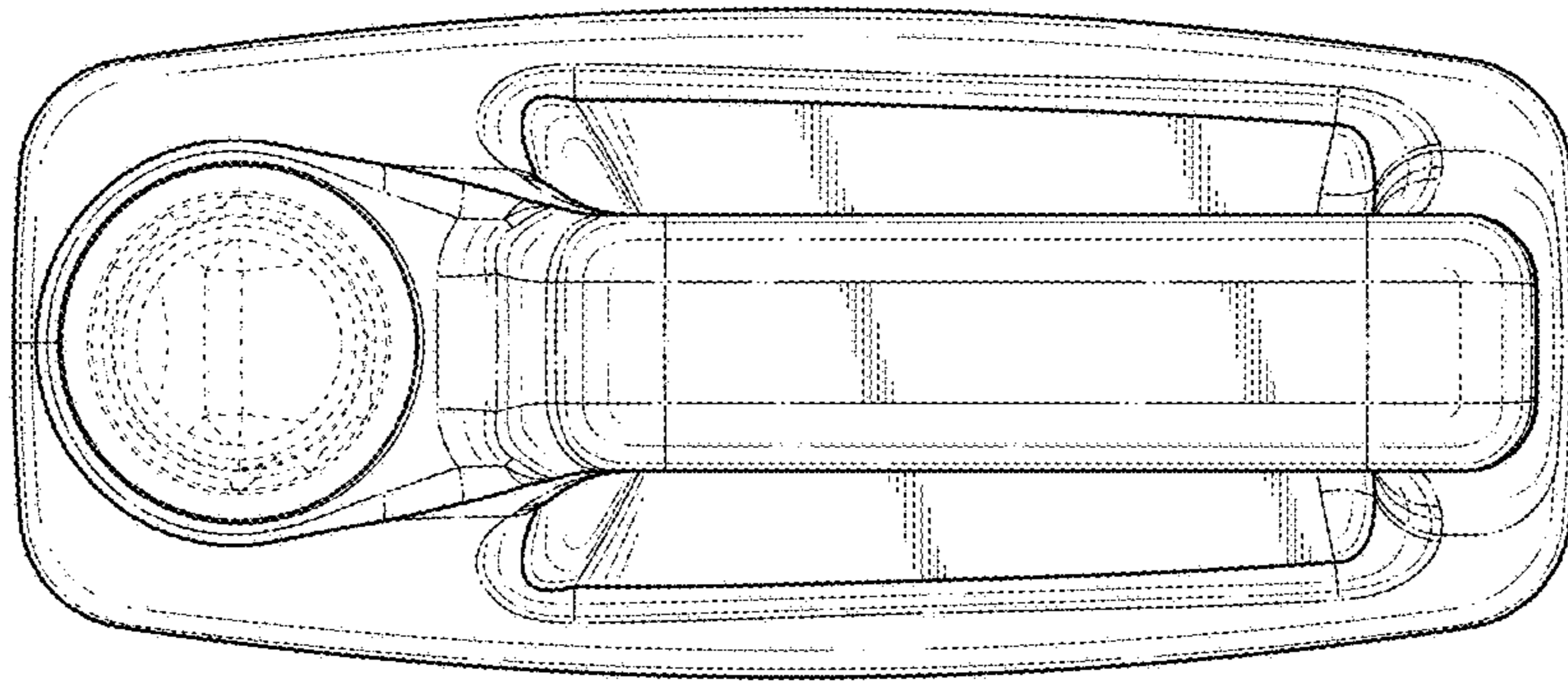


FIG. 7

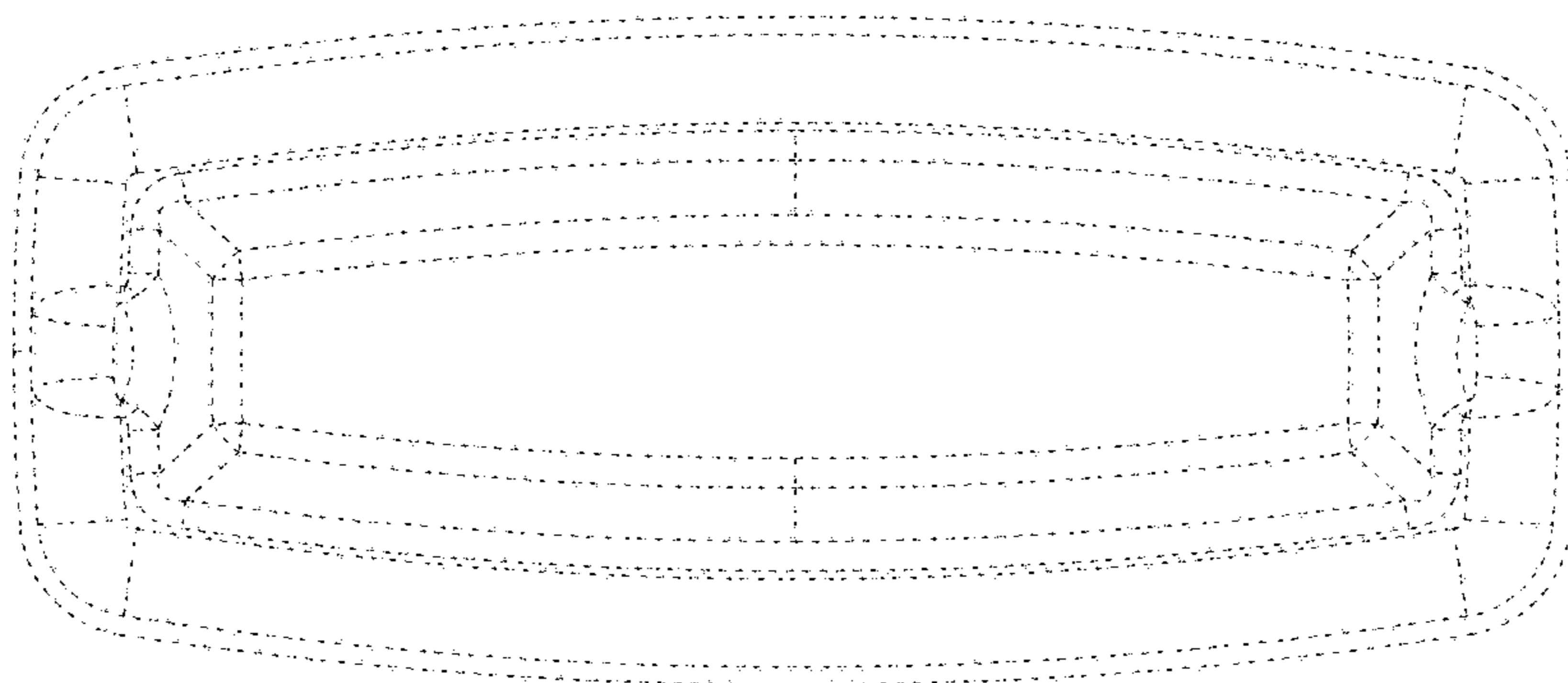


FIG. 8