

US00D867886S

(12) **United States Design Patent** (10) **Patent No.:** **US D867,886 S**  
**Hatcher et al.** (45) **Date of Patent:** **\*\* Nov. 26, 2019**

(54) **DUAL PACKAGING TRAY**

(71) Applicant: **R.J. Reynolds Tobacco Company**,  
Winston-Salem, NC (US)  
  
(72) Inventors: **Mark Shane Hatcher**, Pfafftown, NC  
(US); **Wesley Steven Jones**, Lexington,  
NC (US); **Laya Katina Palmer**  
**Horton**, Winston-Salem, NC (US);  
**Jared Aller**, Winston-Salem, NC (US);  
**Joseph Dominique**, Winston-Salem,  
NC (US); **Adam Richardson**,  
Pleasanton, CA (US); **Christopher**  
**George Palmer**, Pleasanton, CA (US);  
**Jeremiah Robert Etchison**, Livermore,  
CA (US)

(73) Assignee: **R.J. Reynolds Tobacco Company**,  
Winston-Salem, NC (US)

(\*\*) Term: **15 Years**

(21) Appl. No.: **29/618,129**

(22) Filed: **Sep. 19, 2017**

(51) **LOC (12) Cl.** ..... **09-07**

(52) **U.S. Cl.**  
USPC ..... **D9/456**

(58) **Field of Classification Search**  
USPC ..... D3/272, 273, 302, 304, 310, 313, 315,  
D3/319, 901; D6/512, 515-525;  
(Continued)

(56) **References Cited**

**U.S. PATENT DOCUMENTS**

D153,996 S \* 5/1949 Treiss ..... D9/756  
D238,932 S \* 2/1976 Thomas ..... D9/425  
(Continued)

**OTHER PUBLICATIONS**

Marlboro iQos Smoking Device: announced Dec. 4, 2016 [online].  
Site visited [May 11, 2018]. Availalbe from internet URL: <https://www.youtube.com/watch?v=cuXYaLH6PWY>.\*

*Primary Examiner* — Jennifer Rivard  
*Assistant Examiner* — Catherine S Posthauer  
(74) *Attorney, Agent, or Firm* — Womble Bond Dickinson  
(US) LLP

(57) **CLAIM**

The ornamental design for a dual packaging tray, as shown and described.

**DESCRIPTION**

FIG. 1 is a top perspective view of an upper member of the dual packaging tray showing the new design;  
FIG. 2 is a top perspective view of the upper member of the dual packaging tray rotated 180 degrees relative to FIG. 1;  
FIG. 3 is a top plan view of the upper member of the dual packaging tray;  
FIG. 4 is a bottom plan view of the upper member of the dual packaging tray;  
FIG. 5 is a bottom perspective view of the upper member of the dual packaging tray;  
FIG. 6 is a bottom perspective view of the upper member of the dual packaging tray rotated 180 degrees relative to FIG. 5;  
FIG. 7 is an elevational view of a side of the upper member of the dual packaging tray, the opposing side being identical thereto;  
FIG. 8 is an elevational view of an end of the upper member of the dual packaging tray, the opposing side being identical thereto;  
FIG. 9 is a top perspective view of a lower member of the dual packaging tray;  
FIG. 10 is a top perspective view of the lower member of the dual packaging tray rotated 180 degrees relative to FIG. 9;  
FIG. 11 is a top plan view of the lower member of the dual packaging tray;  
FIG. 12 is a bottom plan view of the lower member of the dual packaging tray;  
FIG. 13 is a bottom perspective view of the lower member of the dual packaging tray;

(Continued)

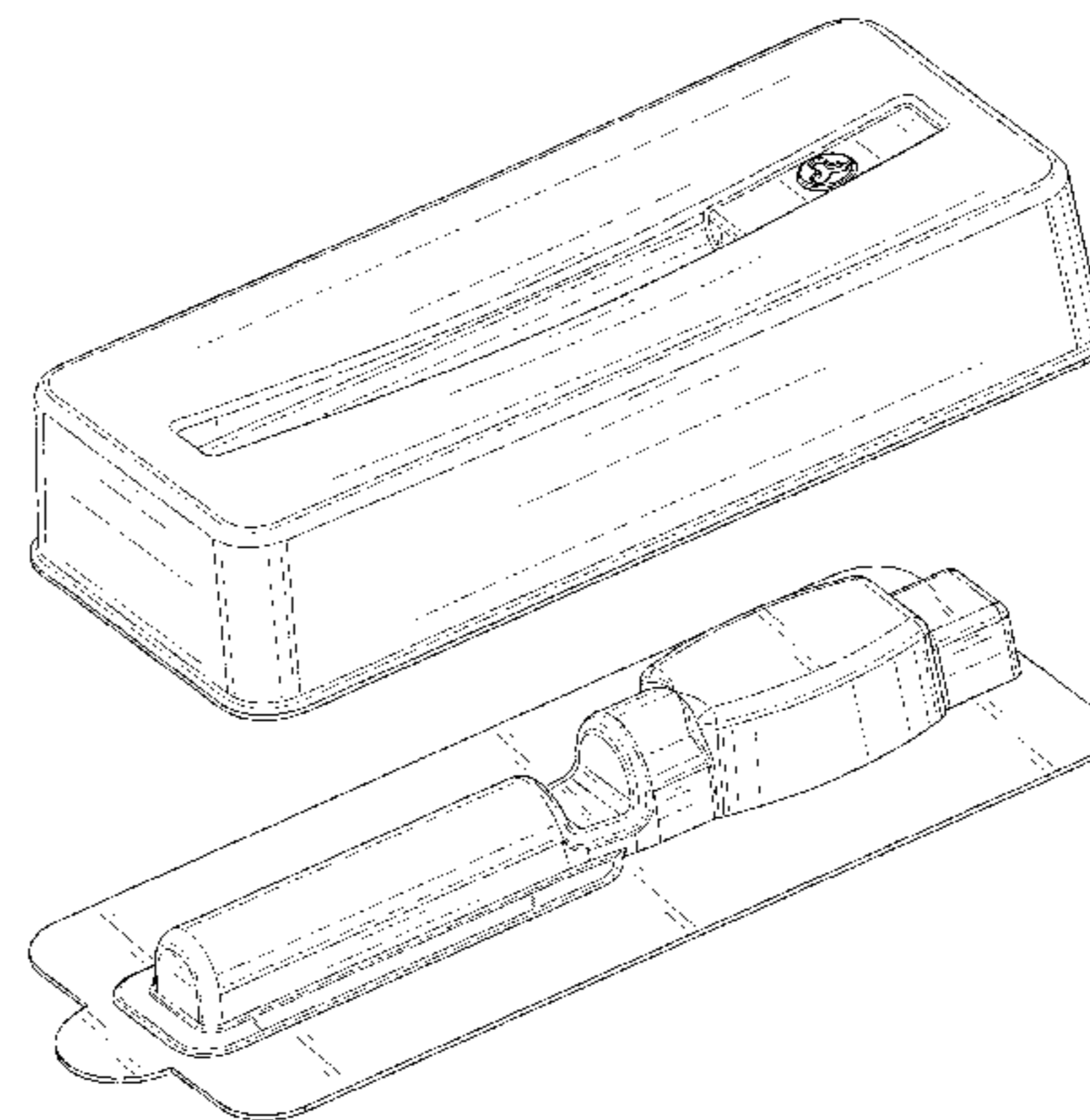
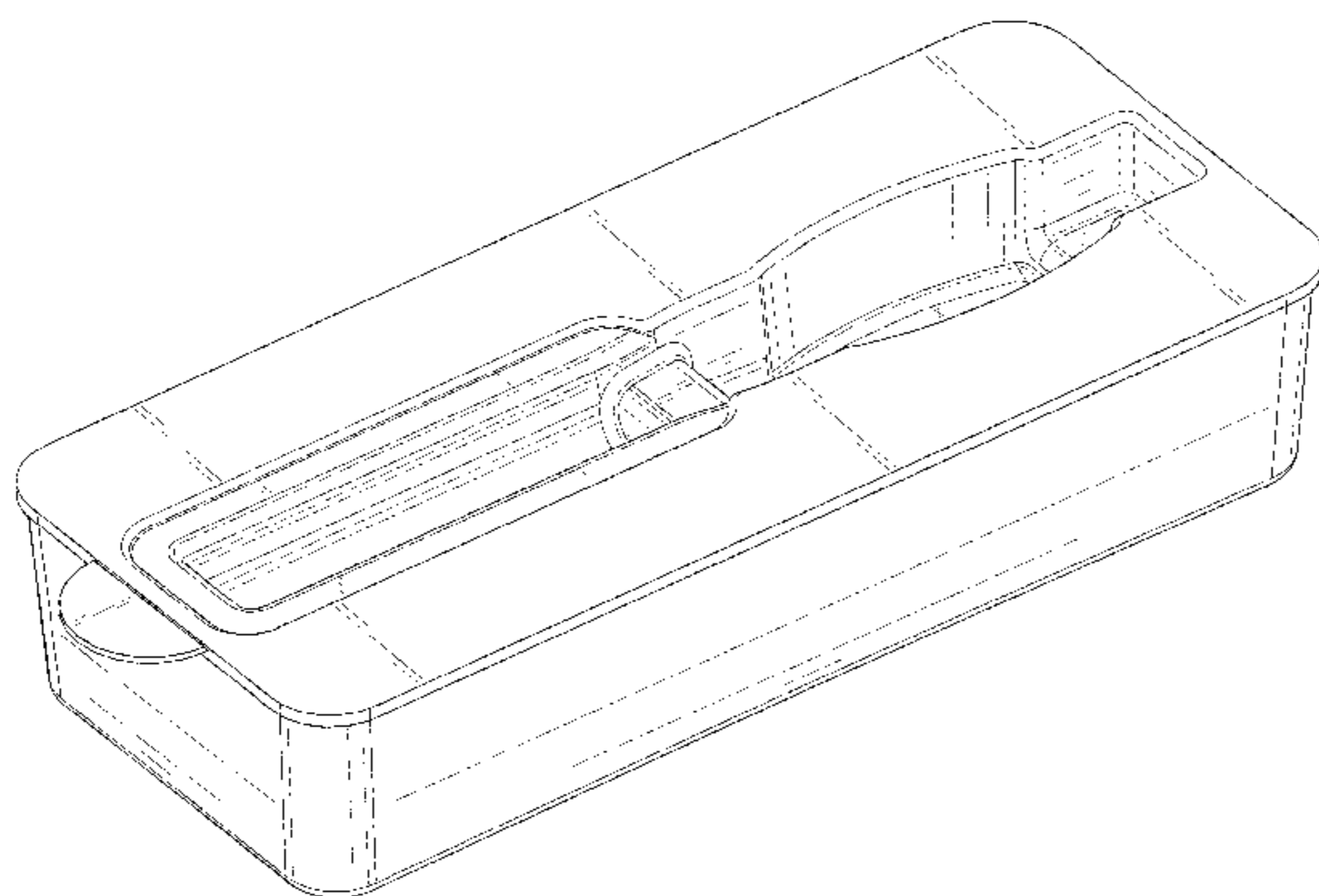


FIG. 14 is a bottom perspective view of the lower member of the dual packaging tray rotated 180 degrees relative to FIG. 13;  
 FIG. 15 is an elevational view of an end of the lower member of the dual packaging tray;  
 FIG. 16 is an elevational view of the opposing end of the lower member of the dual packaging tray;  
 FIG. 17 is an elevational view of a side of the lower member of the dual packaging tray;  
 FIG. 18 is an elevational view of the opposing side of the lower member of the dual packaging tray;  
 FIG. 19 is a top perspective view of the dual packaging tray with the upper member combined with the lower member;  
 FIG. 20 is a bottom perspective view of the dual packaging tray with the upper member combined with the lower member;  
 FIG. 21 is a top perspective view of the dual packaging tray with the upper member separated from the lower member;  
 FIG. 22 is a top perspective view of the dual packaging tray with the upper member separated from the lower member, the dual packaging tray being rotated 180 degrees relative to FIG. 21;  
 FIG. 23 is a bottom perspective view of the dual packaging tray with the upper member separated from the lower member;  
 FIG. 24 is a bottom perspective view of the dual packaging tray with the upper member separated from the lower member, the dual packaging tray being rotated 180 degrees relative to FIG. 23;  
 FIG. 25 is an elevational view of an end of the dual packaging tray;  
 FIG. 26 is an elevational view of the opposing end of the dual packaging tray;  
 FIG. 27 is an elevational view of a side of the dual packaging tray; and,  
 FIG. 28 is an elevational view of the opposing side of the dual packaging tray.

**1 Claim, 26 Drawing Sheets**

(58) **Field of Classification Search**

USPC ..... D7/396.1, 505, 550.1, 553.1, 553.2, D7/553.4, 554.3, 554.5, 602, 611, 701, D7/323, 354, 391, 392, 392.1, 503, 552.1, D7/554.1, 586, 600.1, 614, 704; D9/414, D9/426, 432, 455, 456, 756, 757, 758, D9/791, 762, 418, 420-425, 427, 431, D9/433, 434, 435, 517, 737, 739, 740, D9/741, 744, 745; D19/106; D23/290; D26/121  
 CPC ..... B65D 1/243; B65D 2501/24019; B65D 2501/24108; B65D 2501/24254; B65D 2501/2435; B65D 2501/24764; B65D

2501/24834; B65D 21/036; B65D 21/022; B65D 21/0233; B65D 51/02; B65D 51/36; B65D 25/24; B65D 25/2826; B65D 43/022; B65D 75/24; B65D 75/323; B65D 75/327; B65D 81/025; B65D 5/00; B65D 5/001; B65D 5/0015; B65D 5/0254; B65D 5/0045; B65D 5/18; B65D 1/225; B65D 1/24; B65D 1/34; B65D 1/38; B65D 75/22; B65D 75/366; B65D 43/162; A45D 27/29; A47F 1/126  
 See application file for complete search history.

(56) **References Cited**

U.S. PATENT DOCUMENTS

D333,237	S	*	2/1993	Plaut	.....	D7/549
5,540,324	A	*	7/1996	Knapp	.....	A45C 11/16 206/348
D403,961	S	*	1/1999	Warren	.....	D9/456
D417,391	S	*	12/1999	Szczepanski	.....	D9/423
6,105,765	A	*	8/2000	Chu	.....	B65D 81/025 206/320
D572,588	S	*	7/2008	Osborn	.....	D9/456
D606,395	S	*	12/2009	Franczyk	.....	D9/756
D629,686	S	*	12/2010	Velazquez	.....	D9/456
D631,353	S	*	1/2011	Gelardi	.....	D9/455
D631,354	S	*	1/2011	Gelardi	.....	D9/455
D631,747	S	*	2/2011	Gelardi	.....	D9/455
D661,189	S	*	6/2012	Fahy	.....	D9/456
D661,190	S	*	6/2012	Fahy	.....	D9/456
D677,163	S	*	3/2013	Jones	.....	D9/456
8,584,849	B2	*	11/2013	McCaffrey	.....	A61M 25/002 206/364
D698,644	S	*	2/2014	Teopas	.....	D24/227
D702,118	S	*	4/2014	Gianoli	.....	D9/424
D723,920	S	*	3/2015	Wakeham	.....	D9/456
D724,601	S	*	3/2015	Hsieh	.....	D14/480.3
D736,616	S	*	8/2015	Suen	.....	D9/425
D740,650	S	*	10/2015	Waldron	.....	D9/414
D748,498	S	*	2/2016	Pipes	.....	D9/424
D749,417	S	*	2/2016	Bate	.....	D9/456
D756,223	S	*	5/2016	Pipes	.....	D9/456
D764,285	S	*	8/2016	Akana	.....	D9/432
D767,988	S	*	10/2016	Wu	.....	D9/415
D787,931	S	*	5/2017	Beck	.....	D9/432
D789,784	S	*	6/2017	Hendricks	.....	D9/424
D798,708	S	*	10/2017	Chambers	.....	D9/432
D810,585	S	*	2/2018	Kim	.....	D9/737
D816,501	S	*	5/2018	Oldham	.....	D9/456
D817,172	S	*	5/2018	Jones	.....	D9/456
2006/0213800	A1	*	9/2006	Ballard	.....	B65D 43/162 206/470
2010/0308038	A1	*	12/2010	Davidson	.....	B65D 81/025 220/4.21
2015/0114855	A1	*	4/2015	Glick	.....	A61F 2/1691 206/204
2017/0297803	A1	*	10/2017	Chambers	.....	B65D 5/0254
2018/0079579	A1	*	3/2018	Chen	.....	B65D 81/022

\* cited by examiner

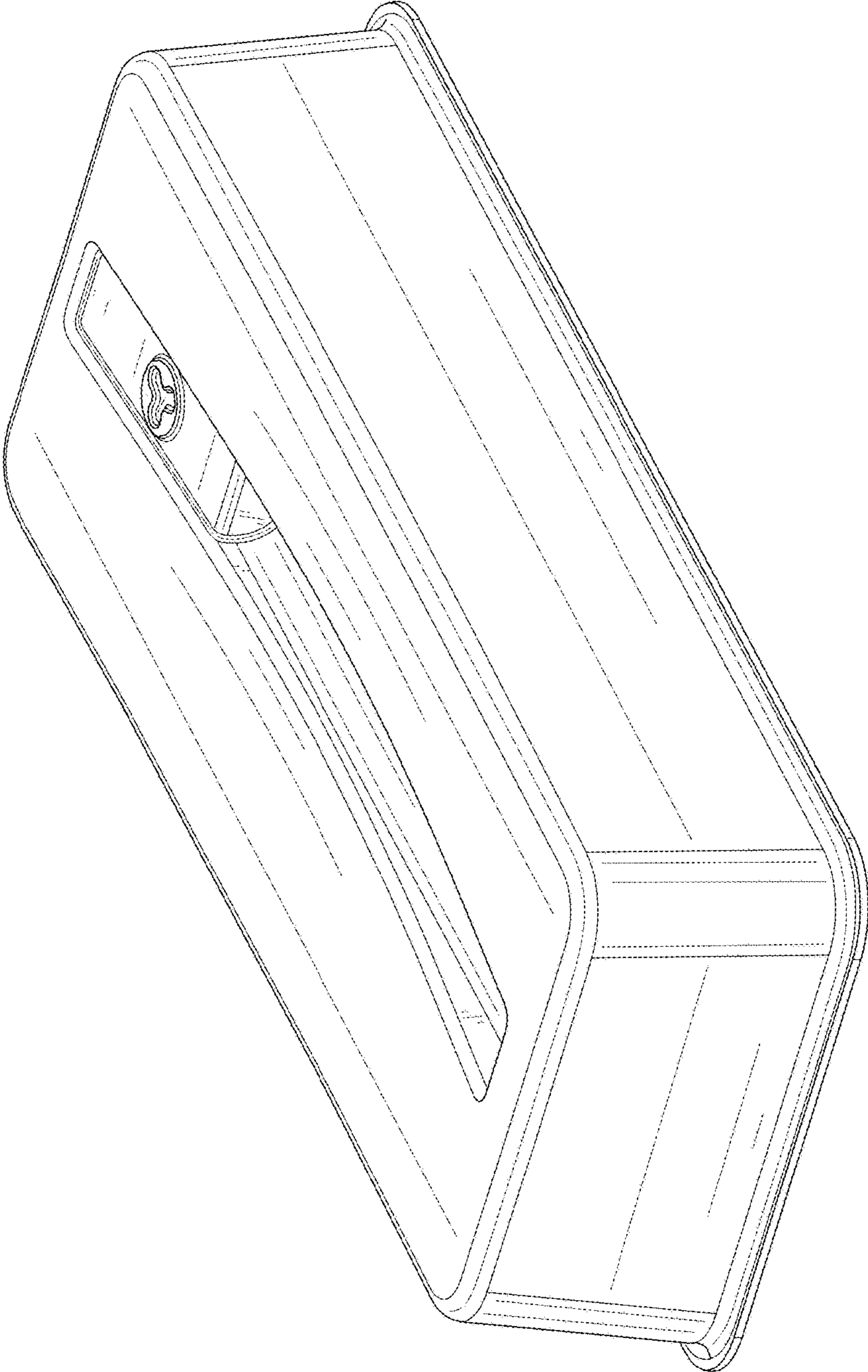


FIG. 1

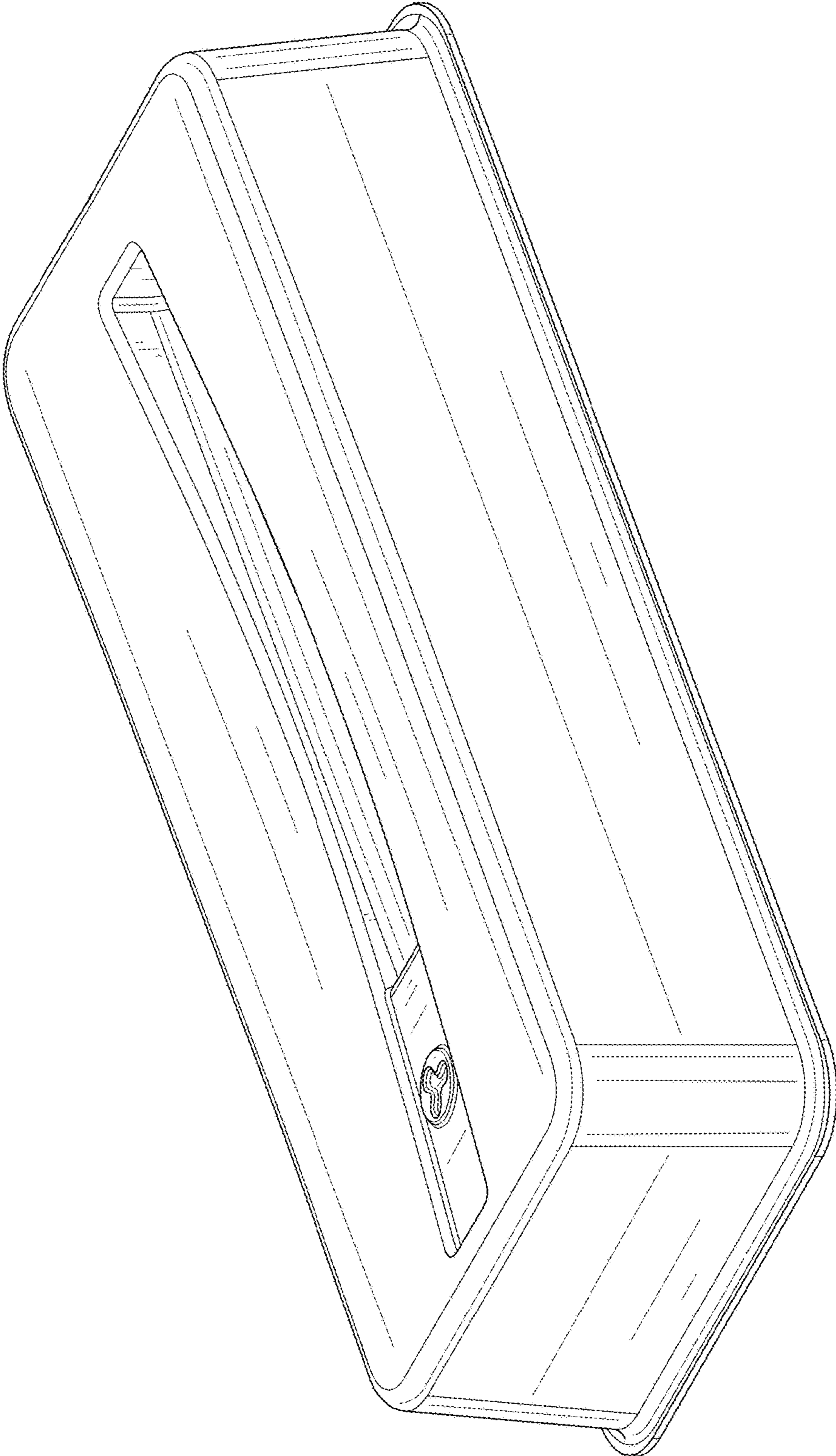


FIG. 2

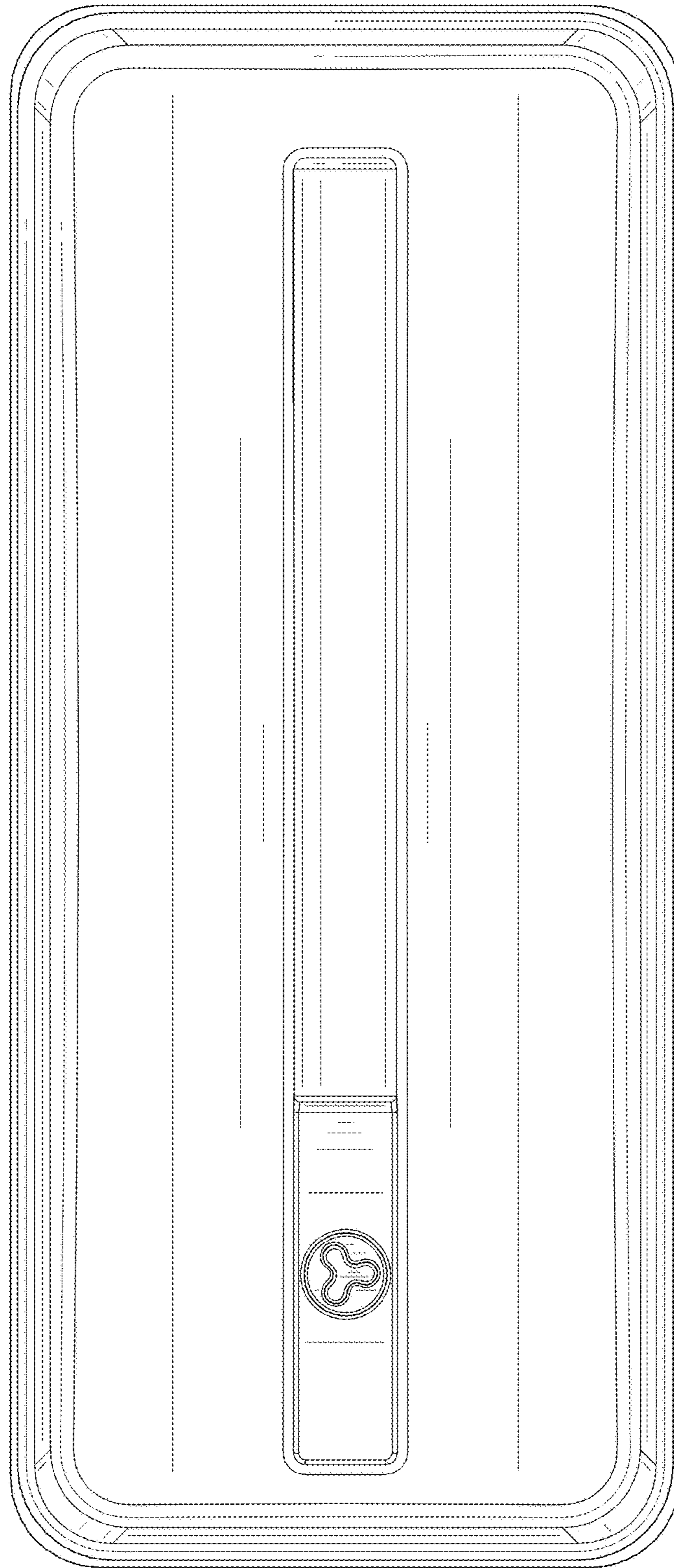


FIG. 3

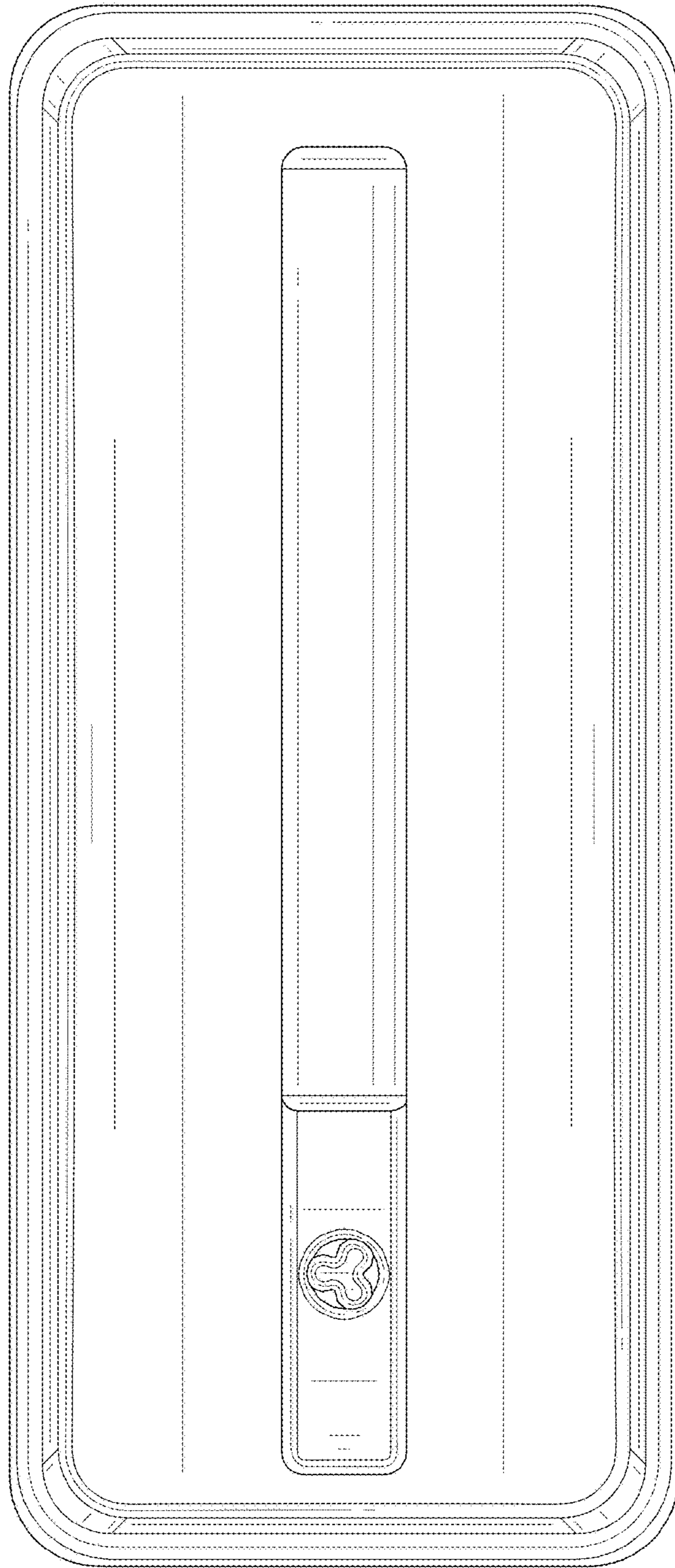


FIG. 4

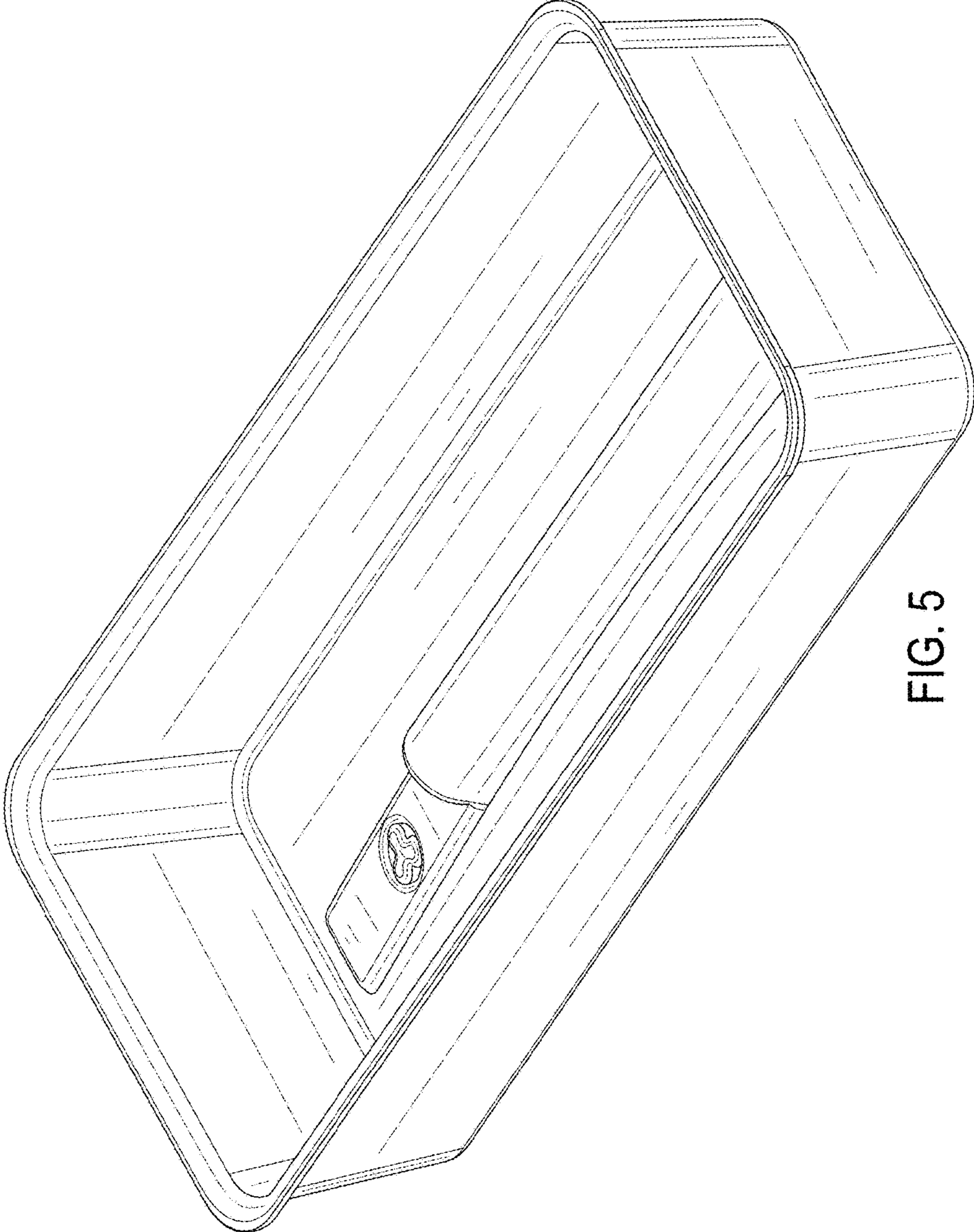


FIG. 5

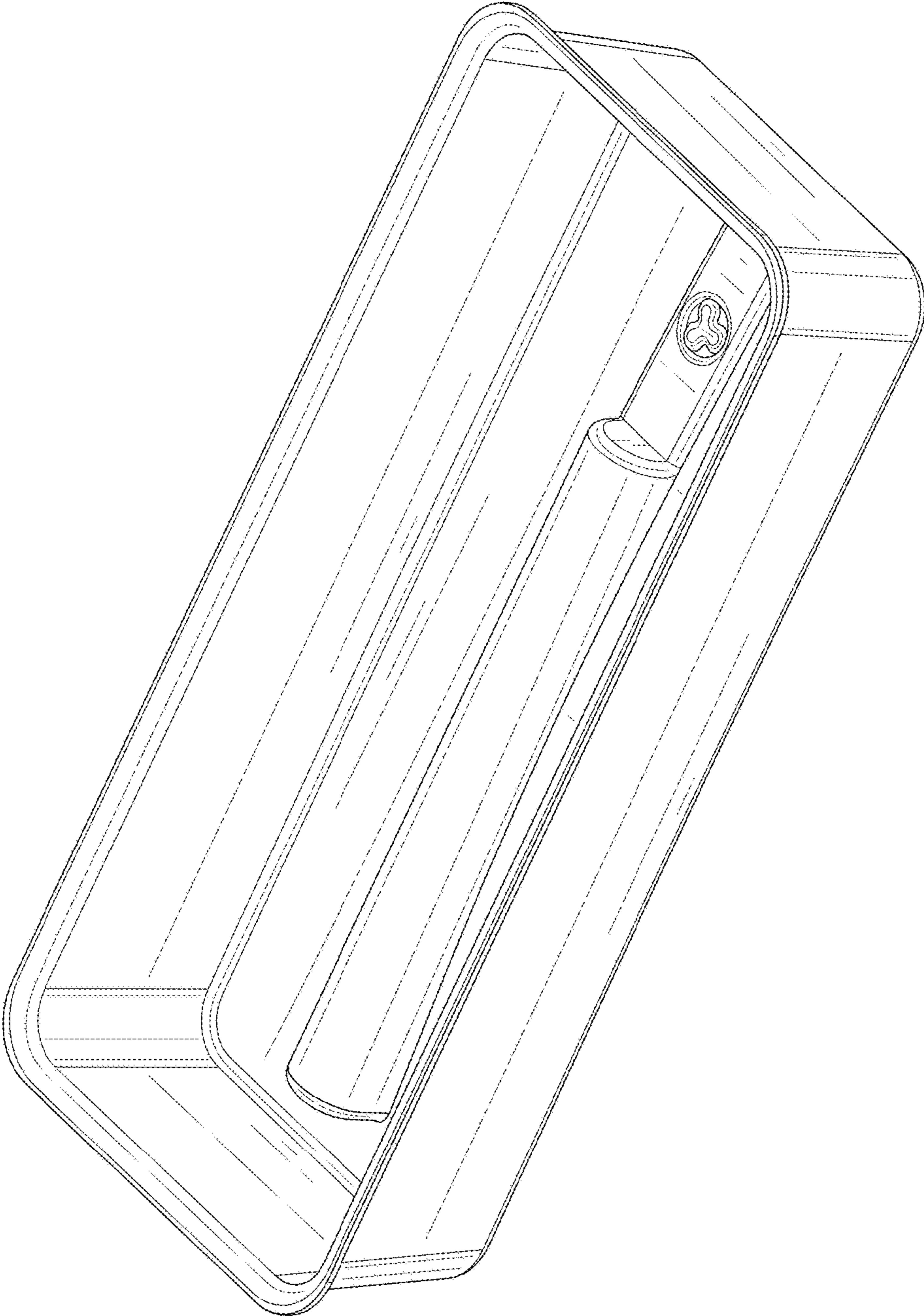


FIG. 6



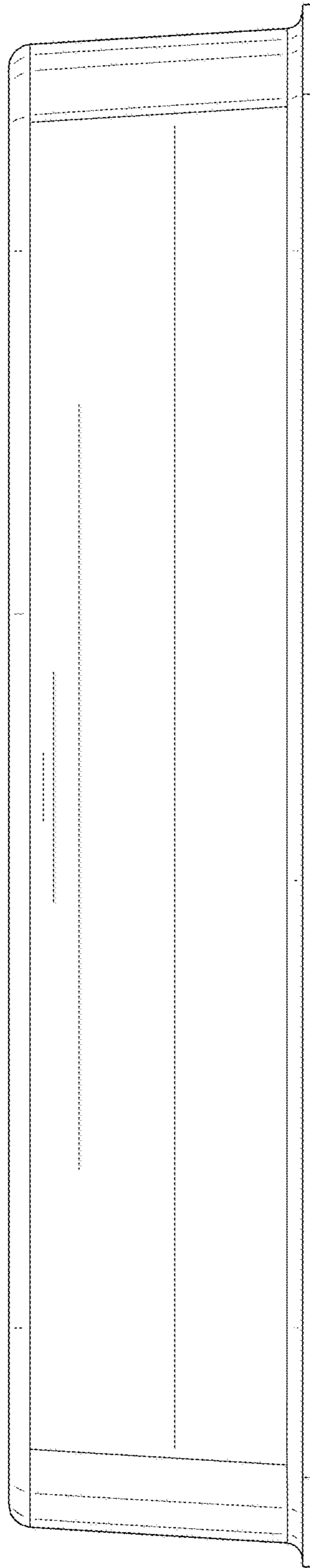


FIG. 7

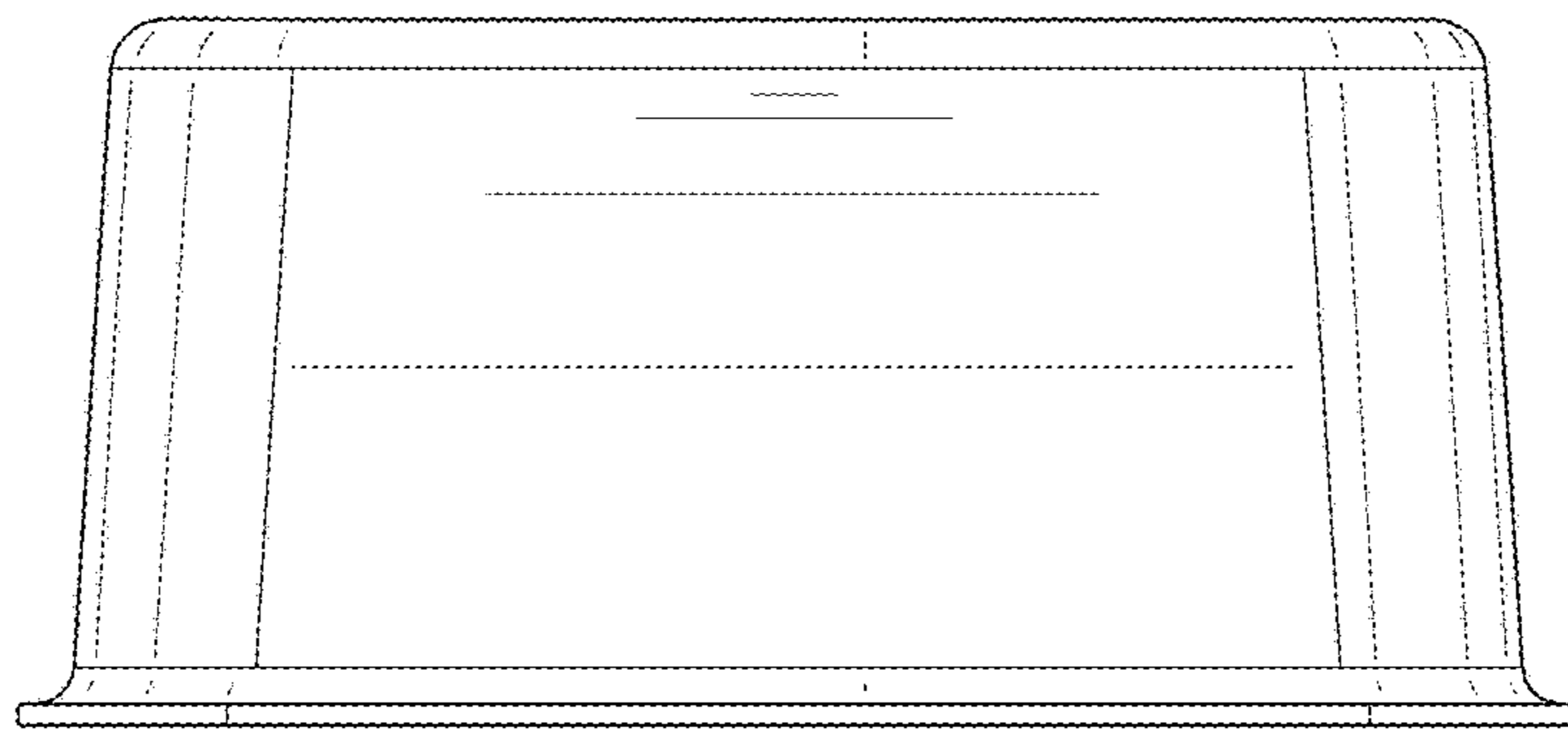


FIG. 8

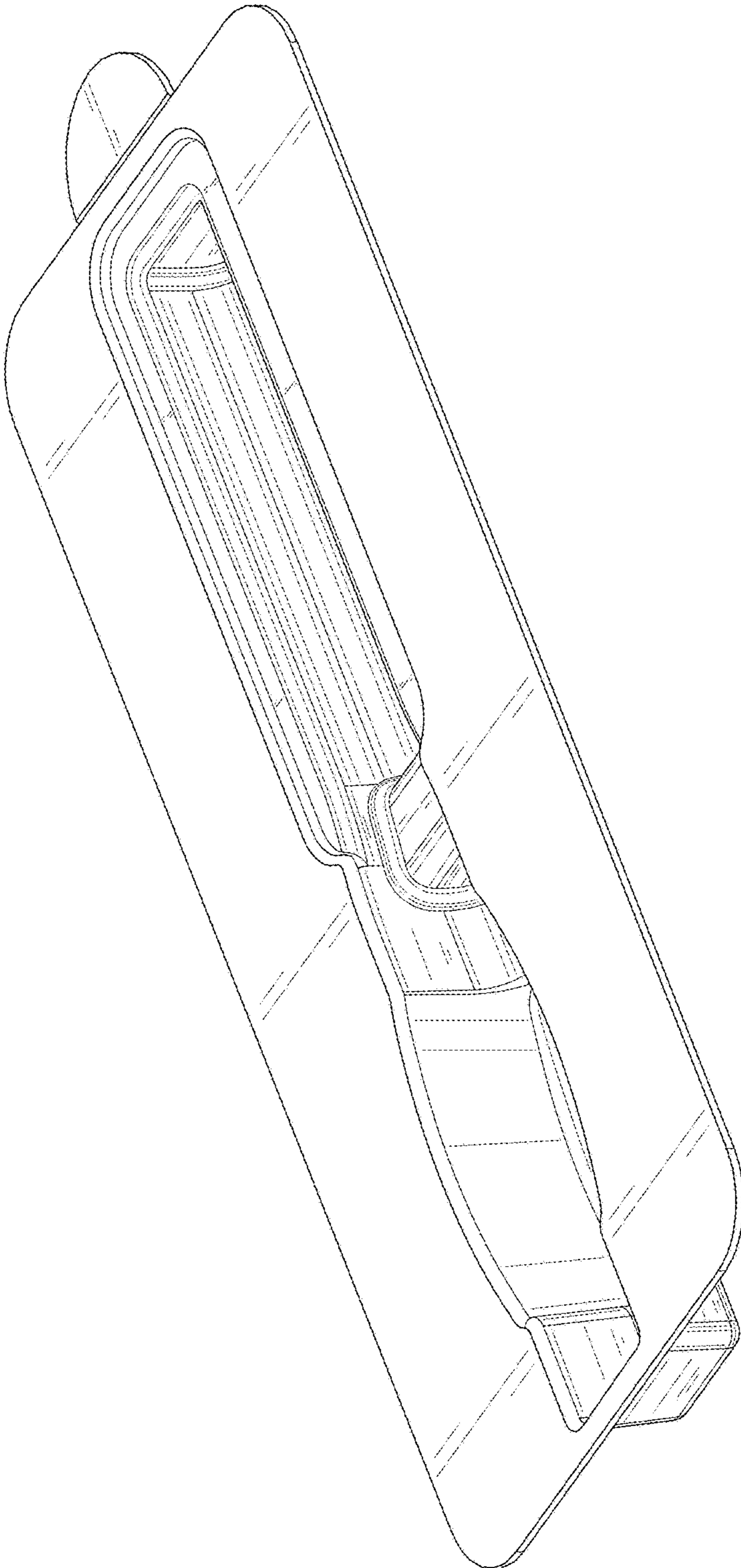


FIG. 9

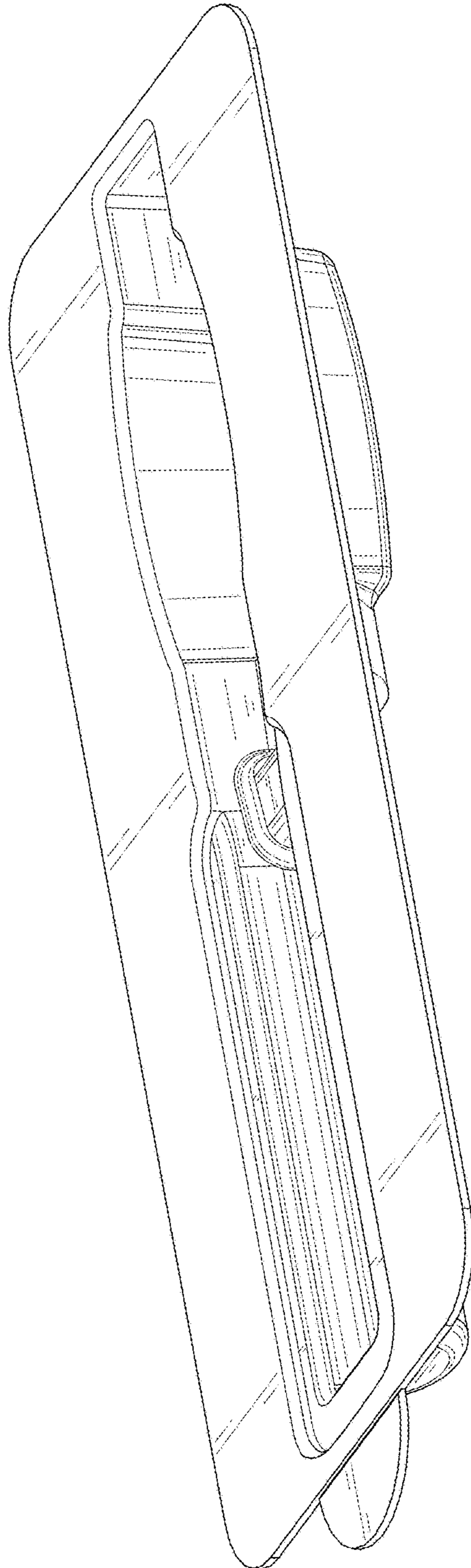


FIG. 10

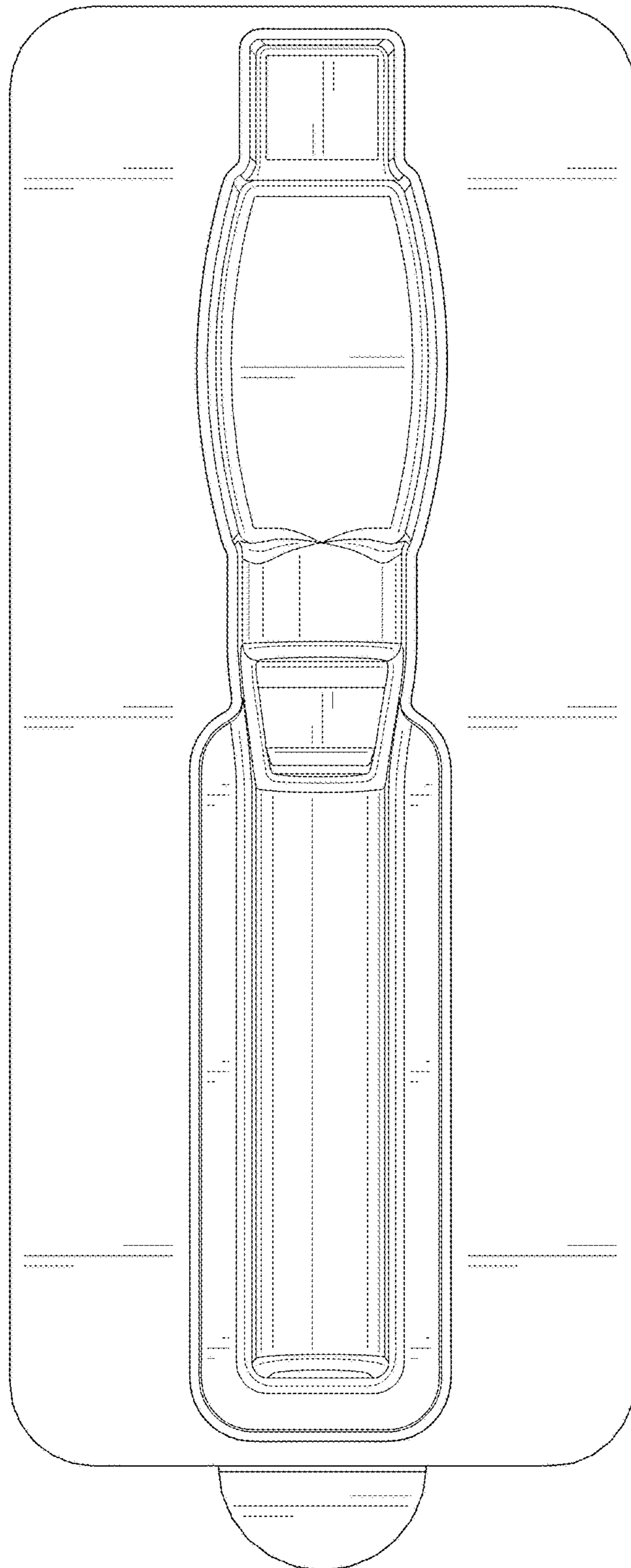


FIG. 11

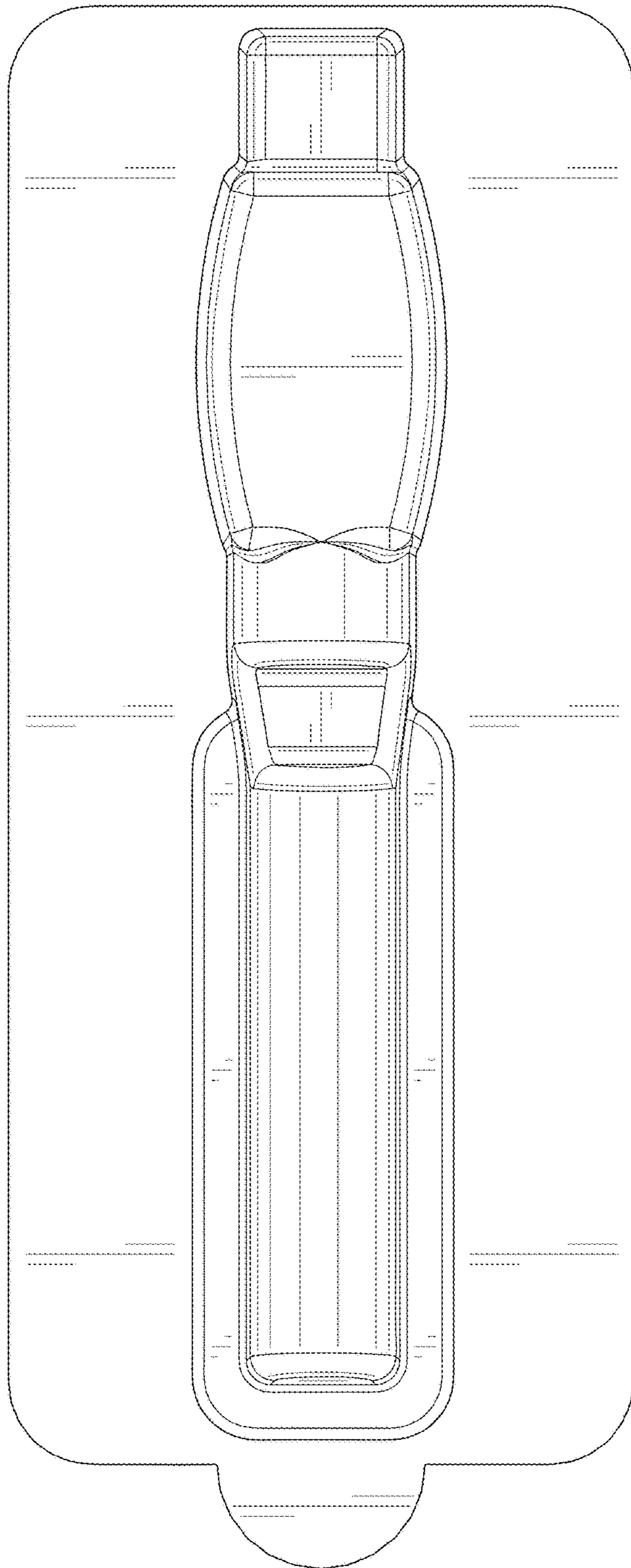


FIG. 12

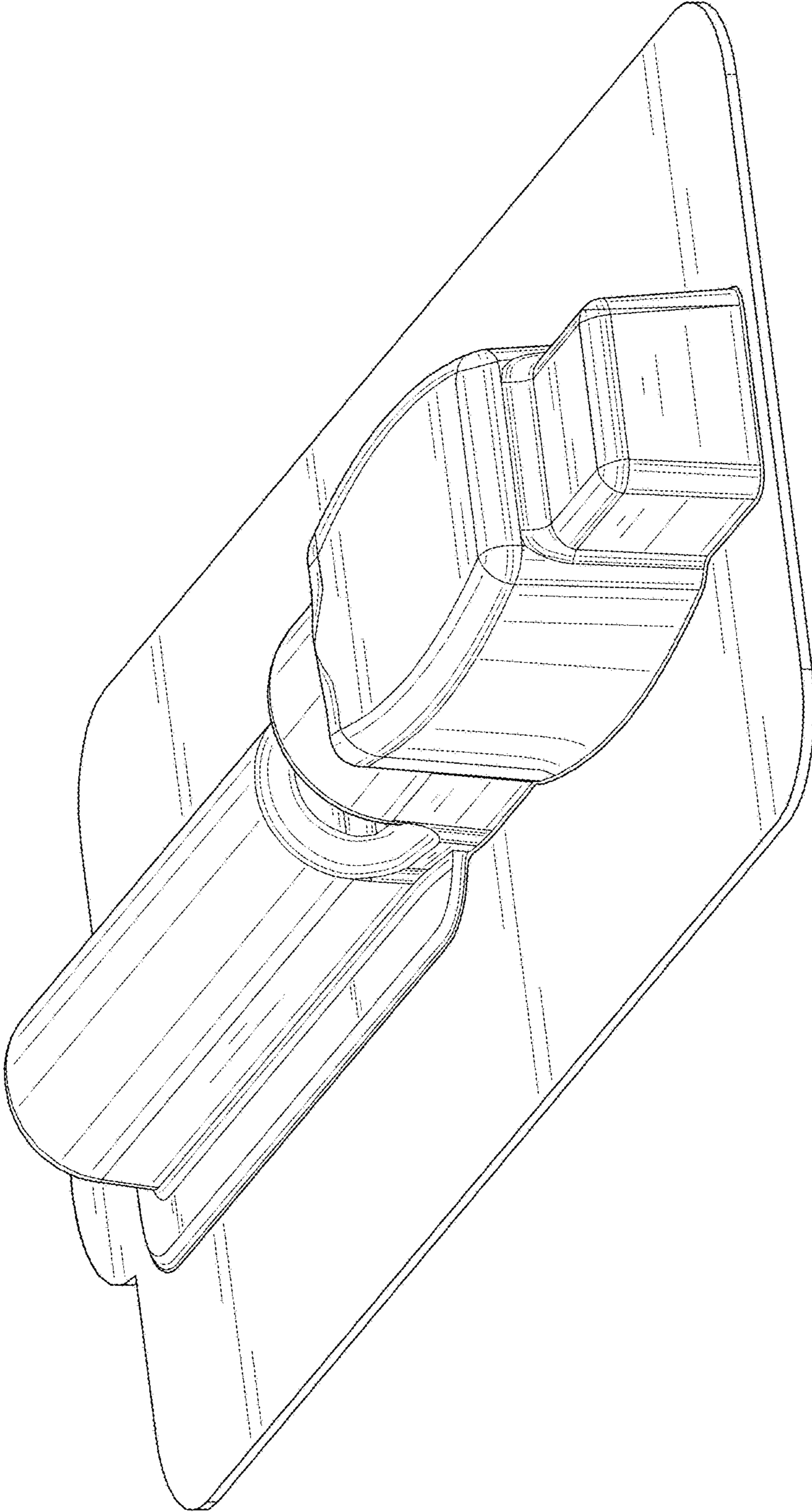


FIG. 13

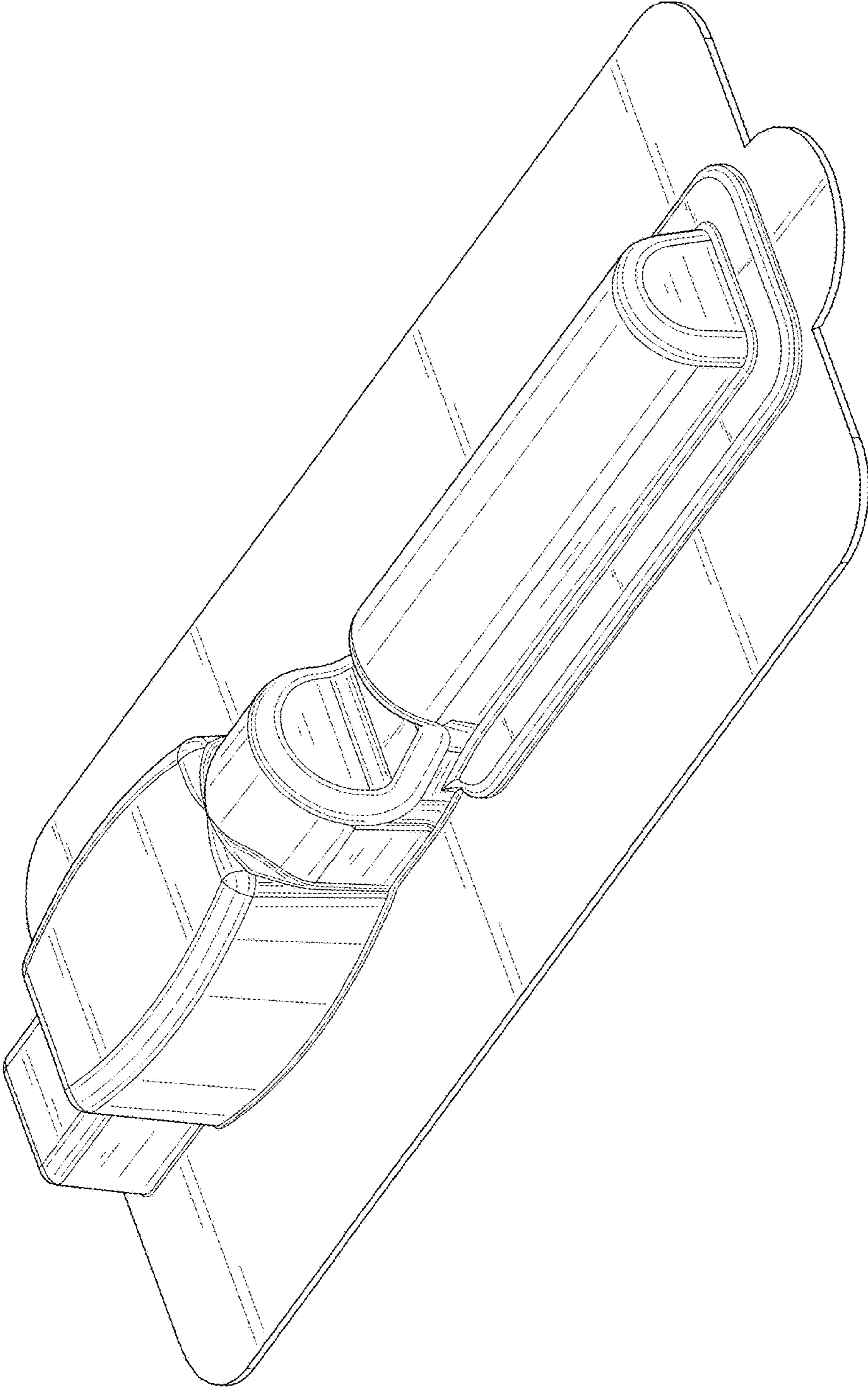


FIG. 14



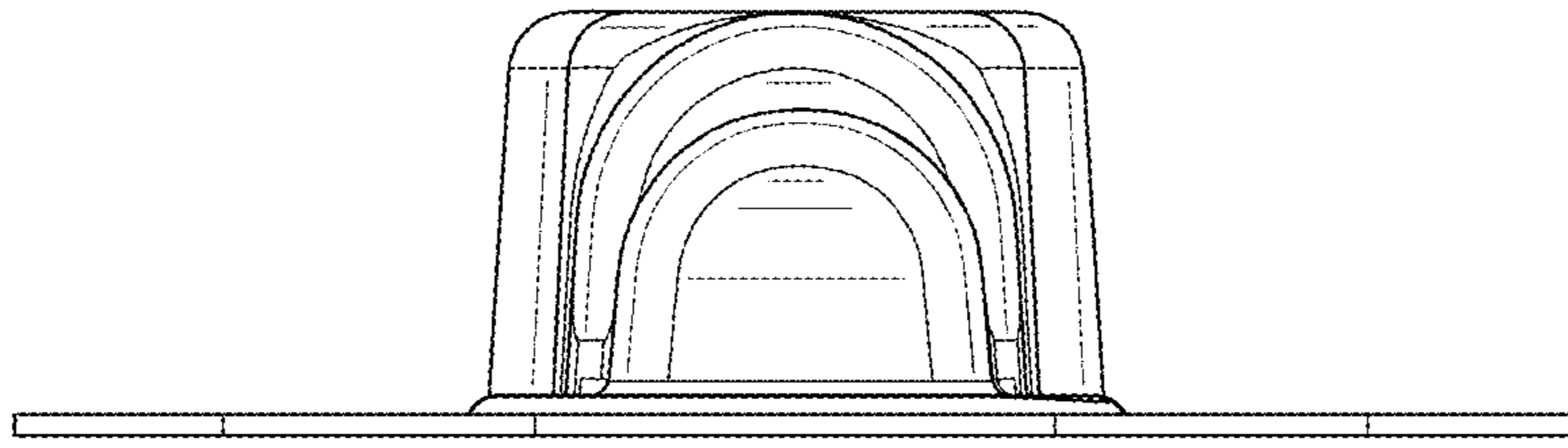


FIG. 15

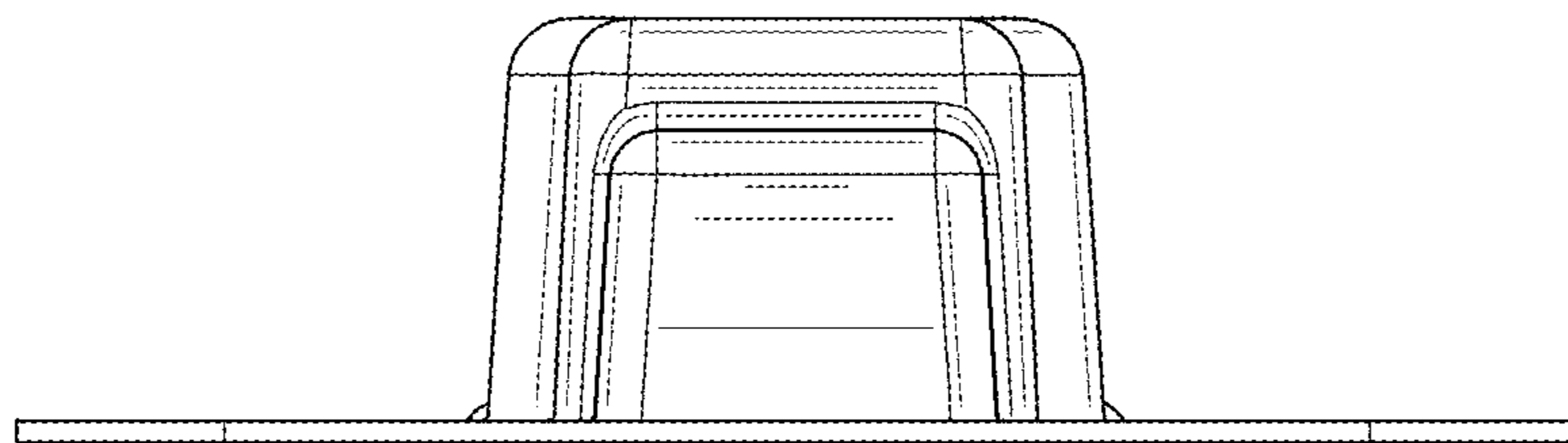


FIG. 16

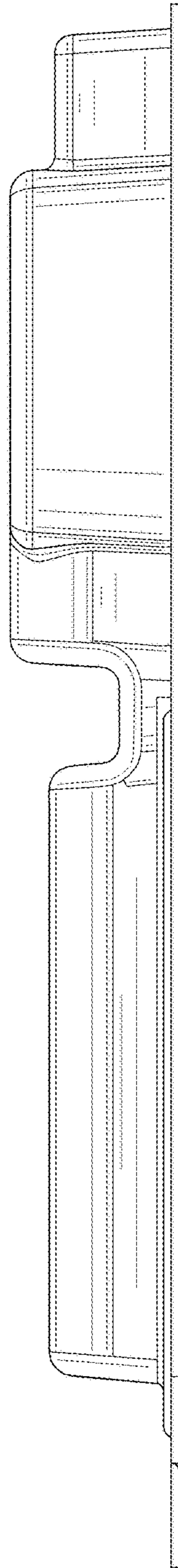


FIG. 17

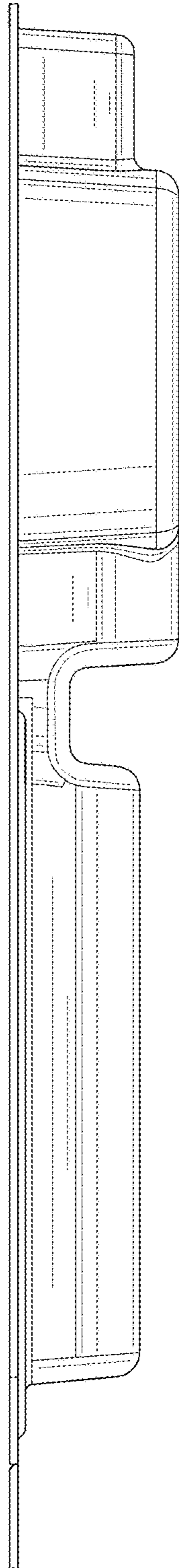


FIG. 18

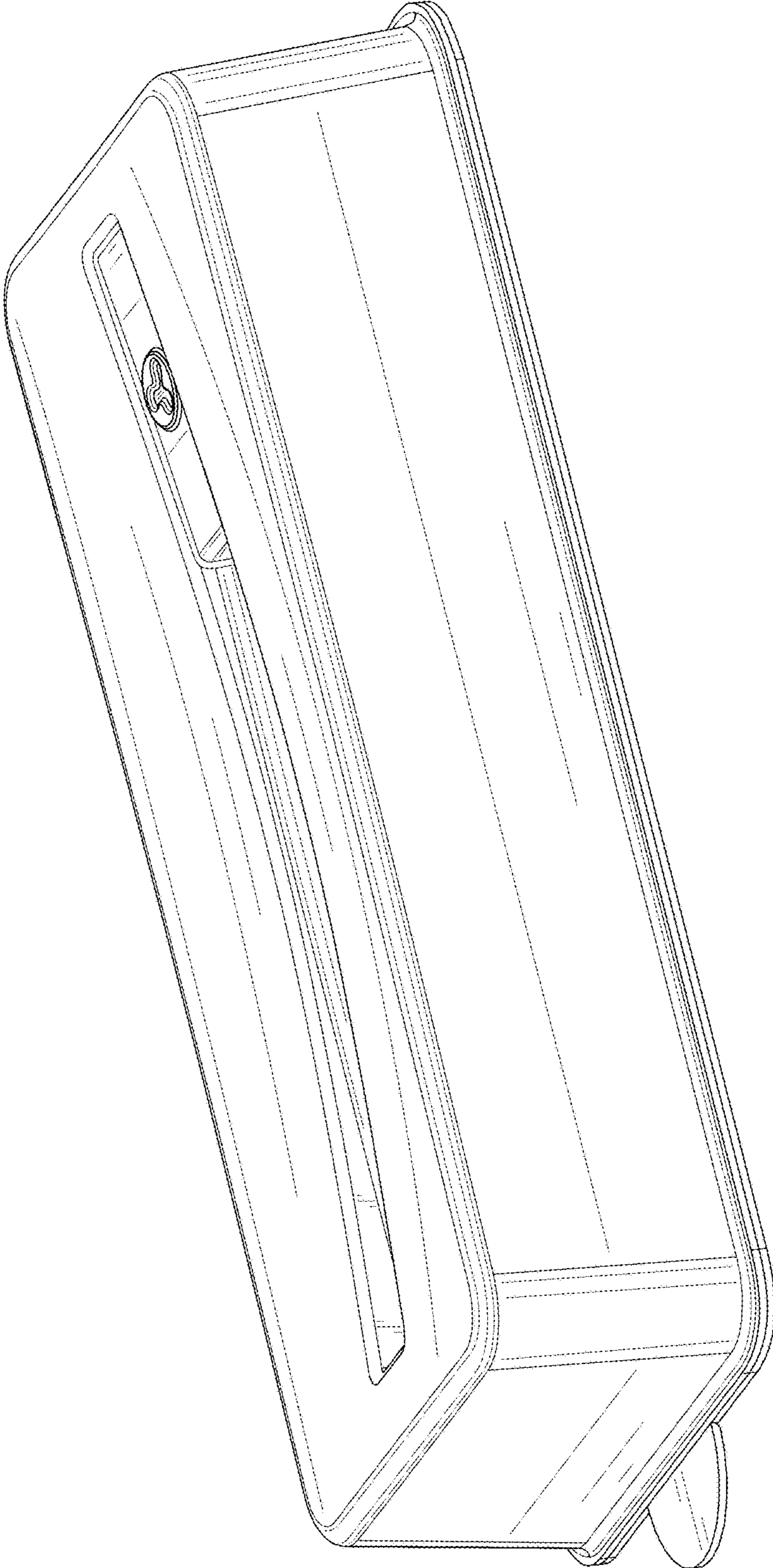


FIG. 19

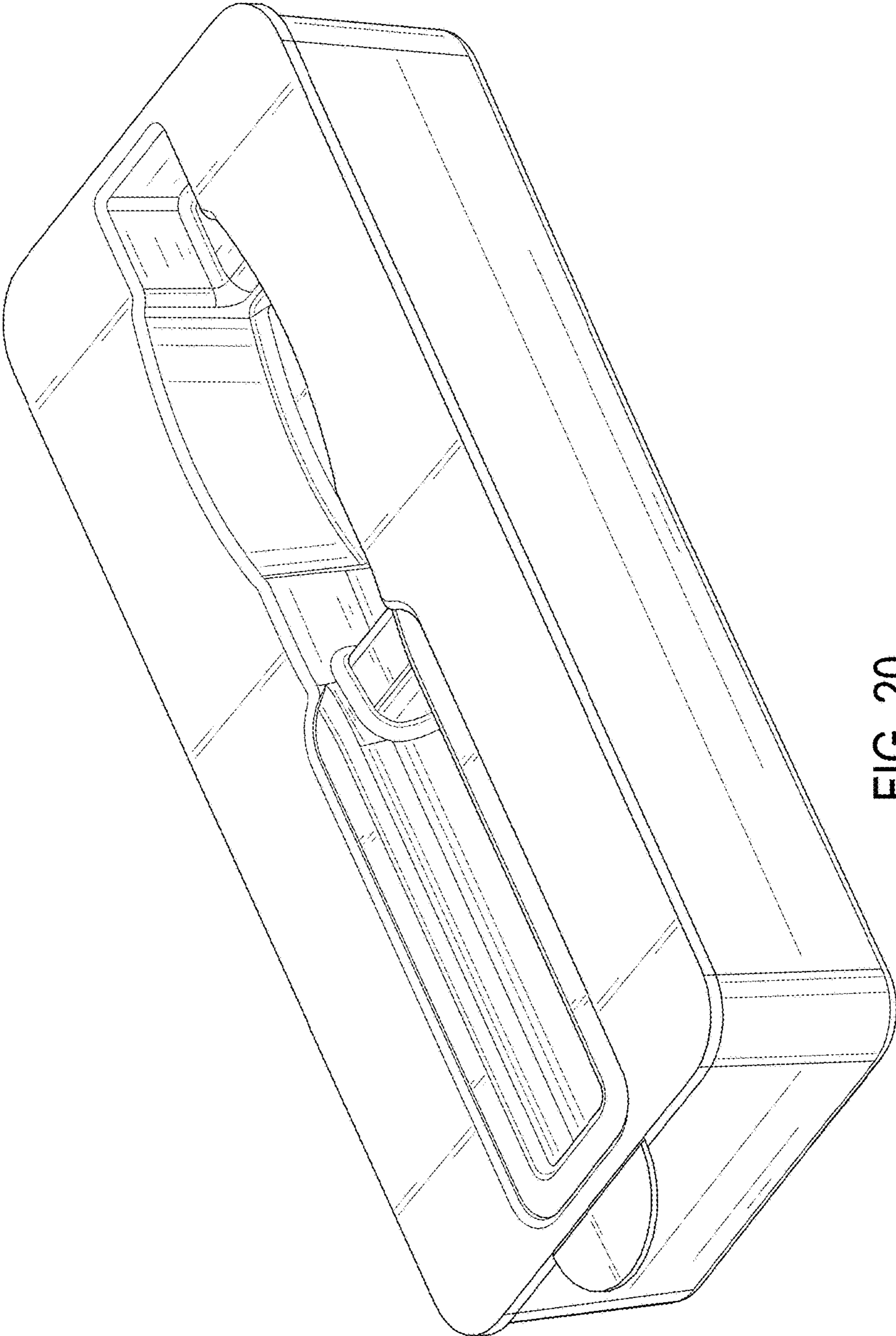


FIG. 20

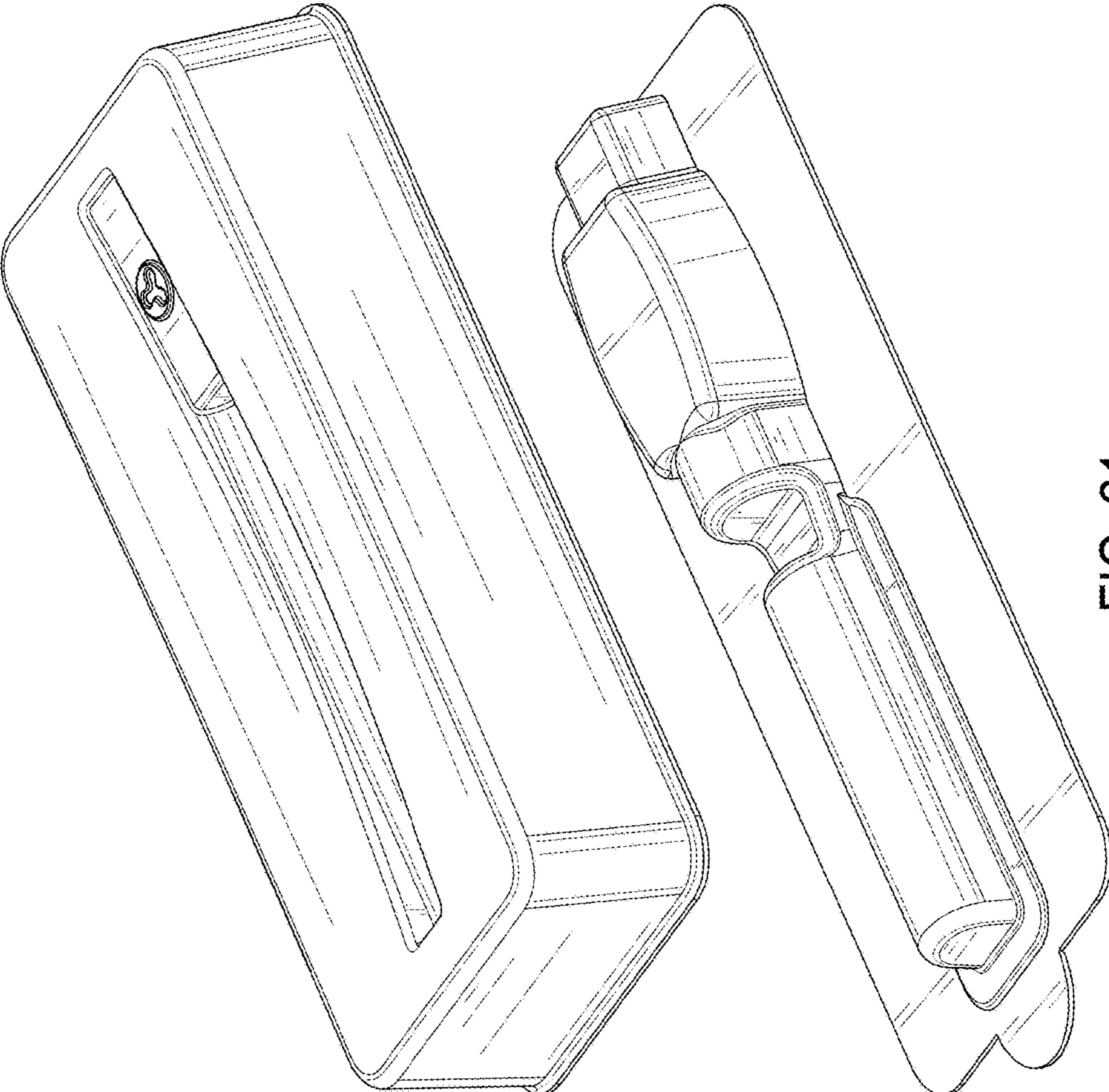


FIG. 21

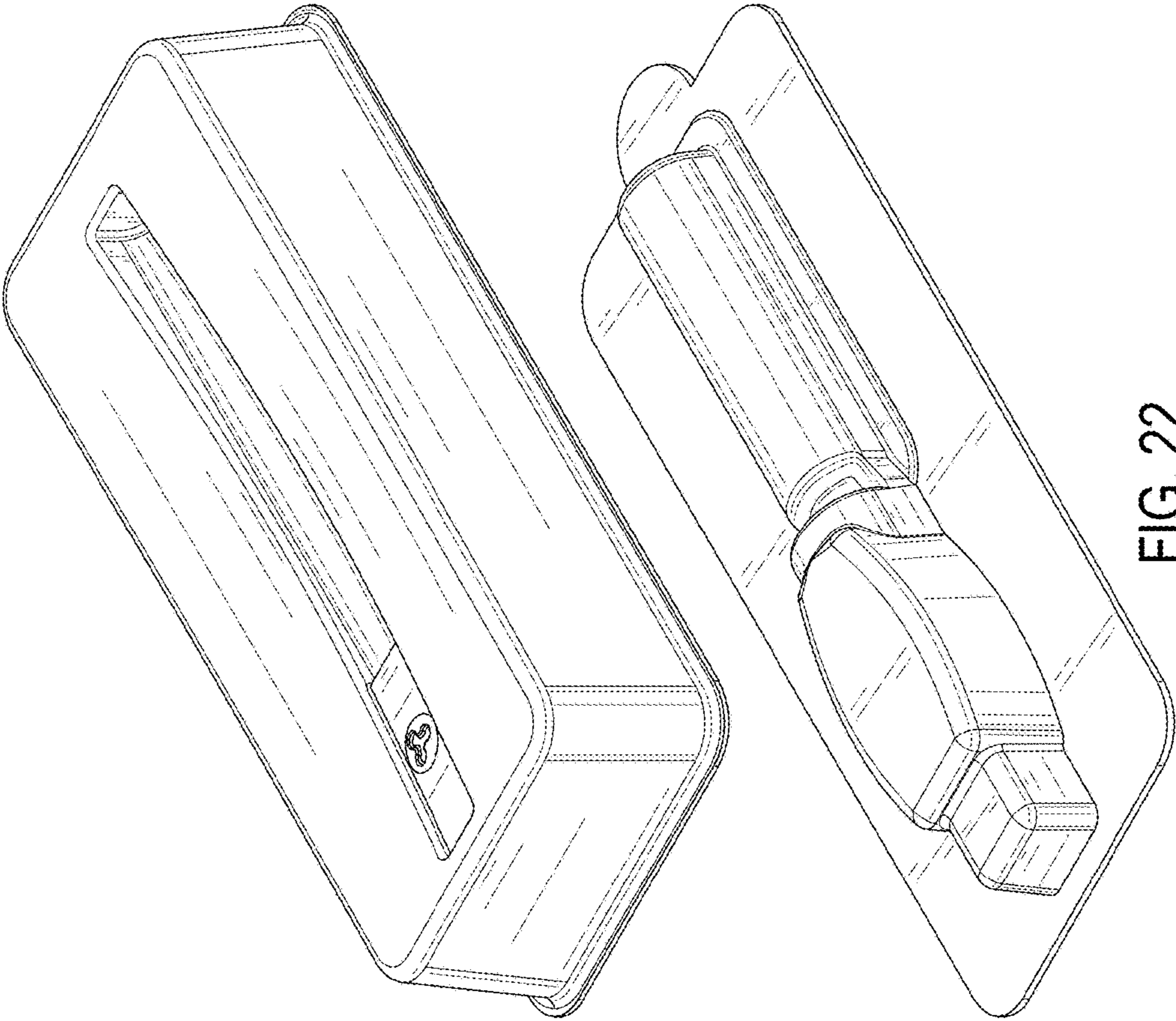


FIG. 22

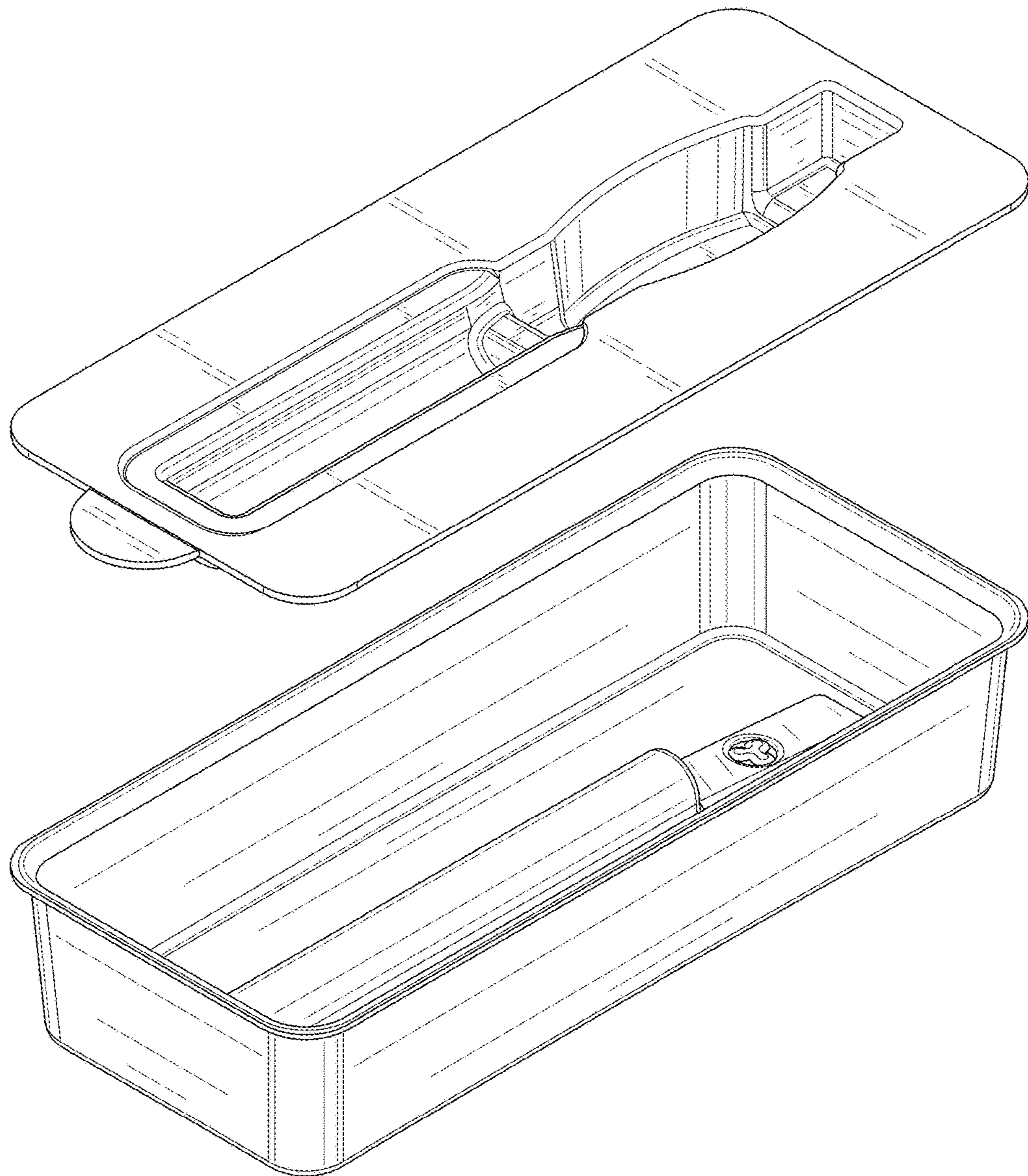


FIG. 23



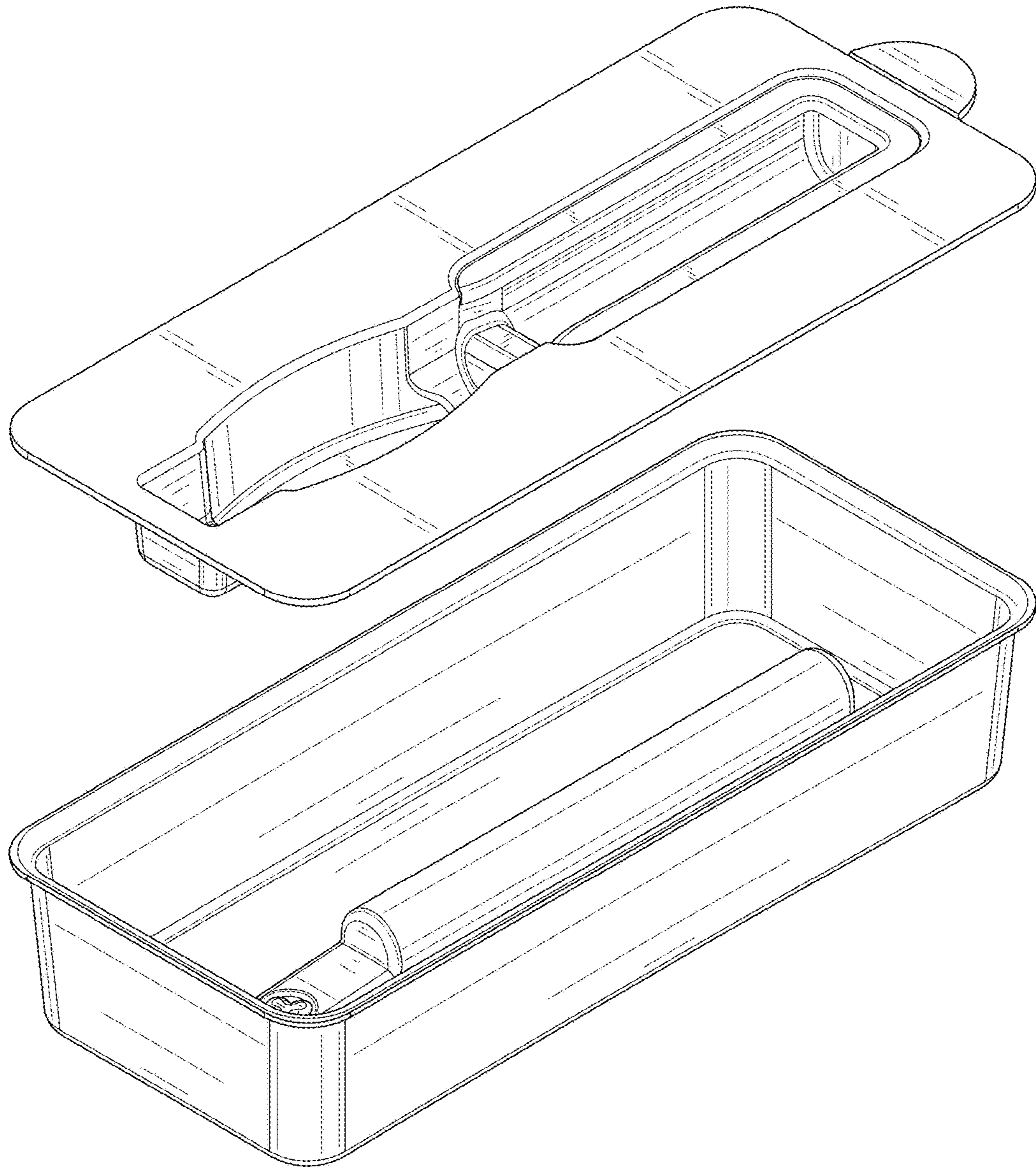


FIG. 24

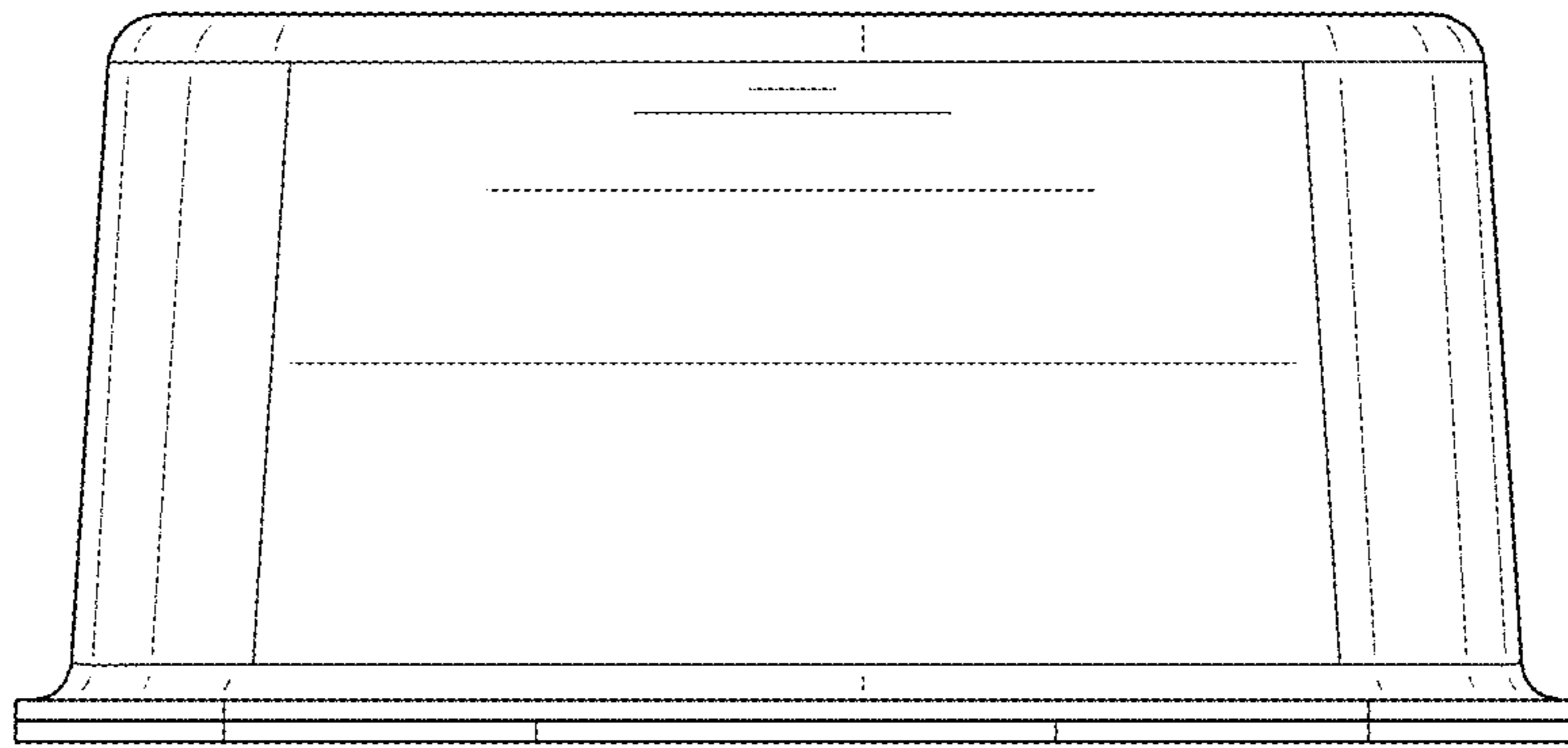


FIG. 25

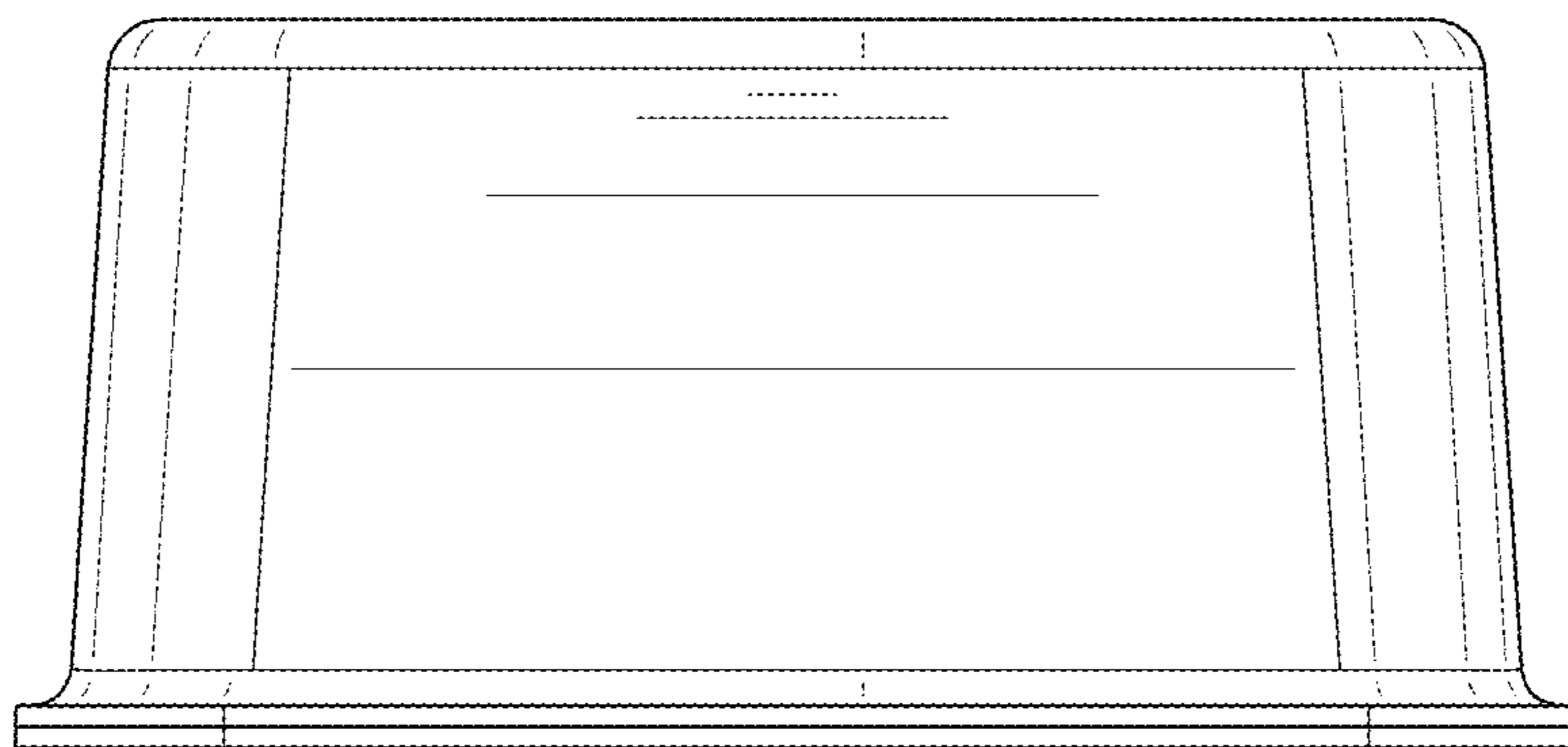


FIG. 26

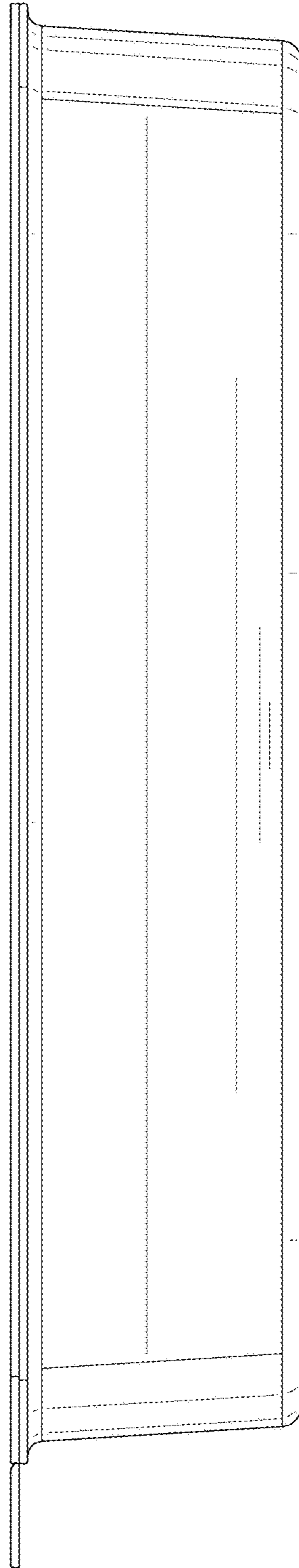


FIG. 27

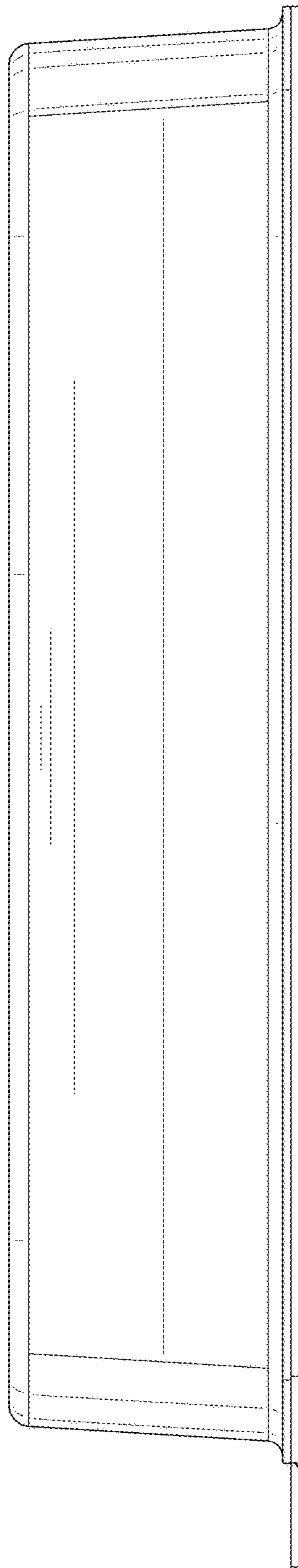


FIG. 28