



US00D867885S

(12) **United States Design Patent** (10) **Patent No.:** **US D867,885 S**  
**Luu et al.** (45) **Date of Patent:** **\*\* Nov. 26, 2019**

(54) **BOTTLE CAP**

(71) Applicant: **LeChat**, Hercules, CA (US)

(72) Inventors: **Newton Luu**, Hercules, CA (US);  
**Christina Kleppe**, Antioch, CA (US)

(73) Assignee: **LeChat**, Hercules, CA (US)

(\*\*) Term: **15 Years**

(21) Appl. No.: **29/691,214**

(22) Filed: **May 14, 2019**

**Related U.S. Application Data**

(60) Continuation of application No. 29/630,918, filed on Dec. 22, 2017, now Pat. No. Des. 848,262, which is a continuation of application No. 29/583,548, filed on Nov. 7, 2016, now Pat. No. Des. 805,910, which is a division of application No. 29/494,520, filed on Jun. 20, 2014, now Pat. No. Des. 770,901.

(51) **LOC (12) Cl.** ..... **09-07**

(52) **U.S. Cl.**  
USPC ..... **D9/454**

(58) **Field of Classification Search**  
USPC ..... D9/516, 447, 452, 454, 548, 560, 562,  
D9/570, 573-574, 682, 715, 719, 723;  
D4/116; D28/7, 76, 77, 88  
CPC ..... B65D 1/00; B65D 1/02; B65D 1/0223;  
B65D 23/00; B65D 81/00; B65D 83/00;  
B65D 2501/00; B65D 2501/0009; B65D  
2501/0081; A45D 34/00; A45D 34/042;  
A45D 34/045; A45D 34/046; A45D  
34/048; A45D 34/06; A45D 2034/007;  
A45D 40/0068; A45D 40/0075; A45D  
40/26; A45D 40/262; A45D 40/264;  
A45D 40/265

See application file for complete search history.

(56) **References Cited**

**U.S. PATENT DOCUMENTS**

D90,558 S	8/1933	Tricard
D93,074 S	8/1934	Westlake
D105,396 S	7/1937	McIntosh
D270,331 S	8/1983	Benson
D271,565 S	11/1983	Slater
D316,034 S	4/1991	DeGaetano
D329,592 S	9/1992	Crawford
D379,764 S	6/1997	Litton
D469,356 S	1/2003	Vo
D471,108 S	3/2003	Calderon, Jr.
D494,476 S	8/2004	Cwynar-laska et al.
6,966,716 B2	11/2005	Pink
7,311,457 B2	12/2007	Pink
D561,027 S	2/2008	Nguyen
D604,167 S	11/2009	Tran et al.
D695,121 S	12/2013	Seo
D701,124 S	3/2014	O'Hara
D756,234 S	5/2016	Orset
D758,737 S	6/2016	Tan et al.
D767,405 S	9/2016	Orset
D769,124 S	10/2016	Wieland
D770,284 S	11/2016	Luu et al.
D770,285 S	11/2016	Luu et al.

(Continued)

*Primary Examiner* — Dana Meyrow

(74) *Attorney, Agent, or Firm* — Aka Chan LLP

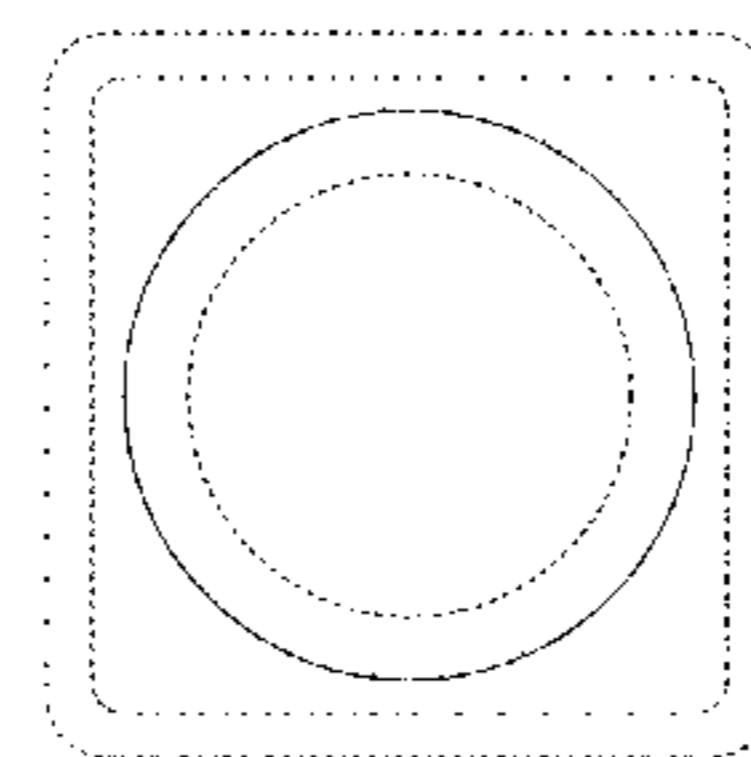
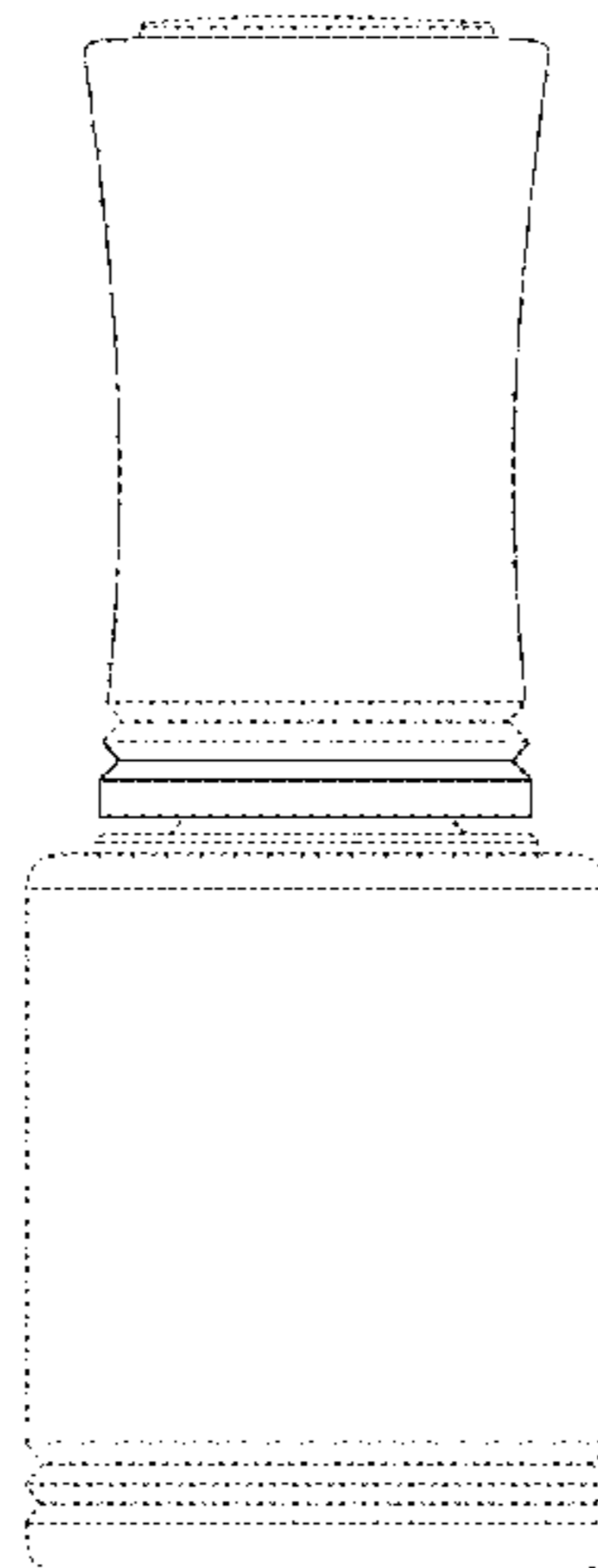
(57) **CLAIM**

The ornamental design for a bottle cap, as shown and described.

**DESCRIPTION**

FIG. 1 shows a perspective view of a design for a bottle cap. FIG. 2 shows a side view of the design; and, FIG. 3 shows a top view of the design. The broken lines in the drawings illustrate the portions of the design that form no part of the claim.

**1 Claim, 3 Drawing Sheets**



(56)

**References Cited**

U.S. PATENT DOCUMENTS

D770,295 S	11/2016	Luu et al.	
D770,901 S	11/2016	Luu et al.	
D802,420 S	11/2017	Luu et al.	
D802,426 S *	11/2017	Luu .....	D9/502
D803,055 S	11/2017	Luu et al.	
D805,910 S	12/2017	Luu et al.	
D813,551 S	3/2018	Tan et al.	
D847,654 S *	5/2019	Luu .....	D9/560
D850,264 S *	6/2019	Luu .....	D9/503
2002/0039513 A1 *	4/2002	Pink .....	A45D 34/045 401/129

\* cited by examiner

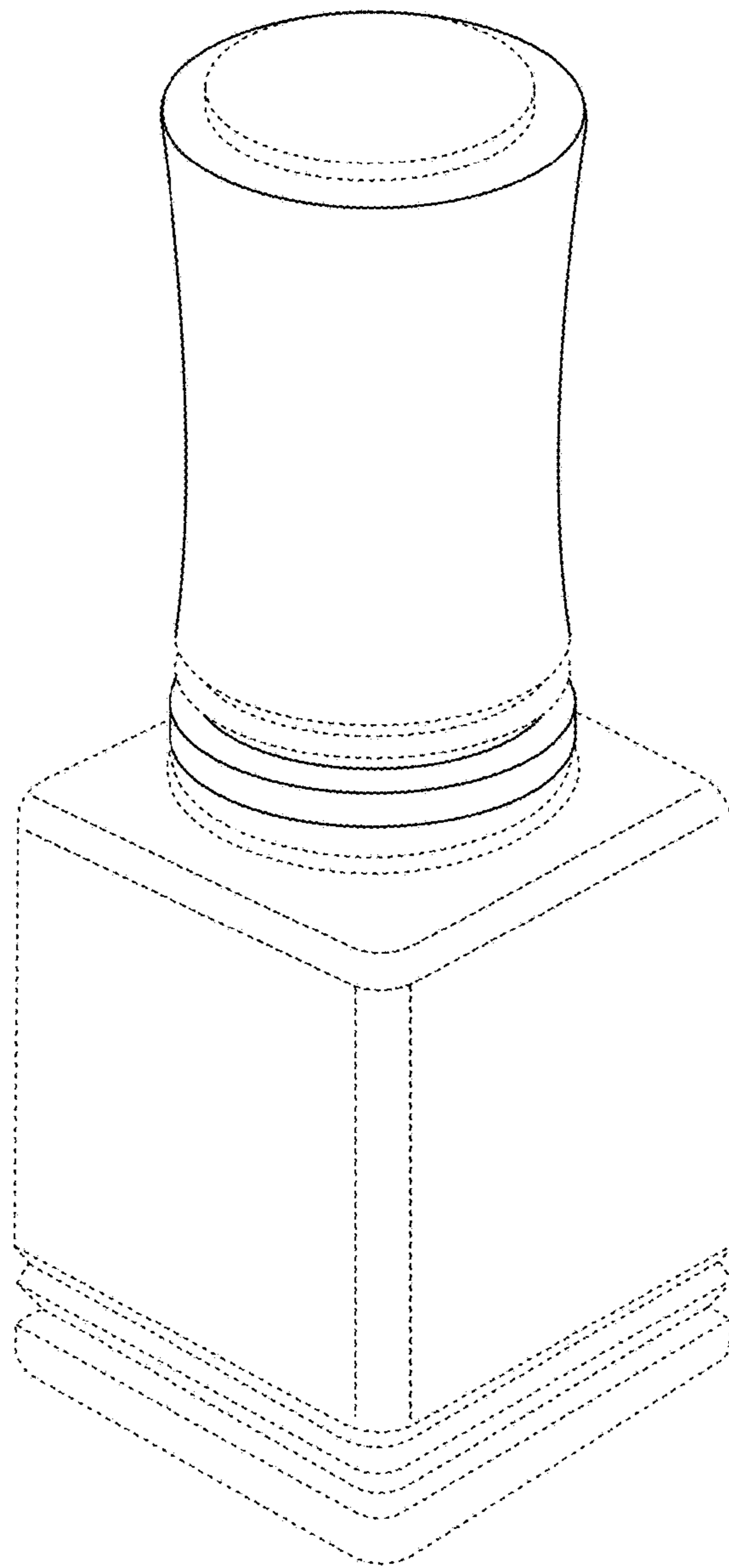


FIG. 1

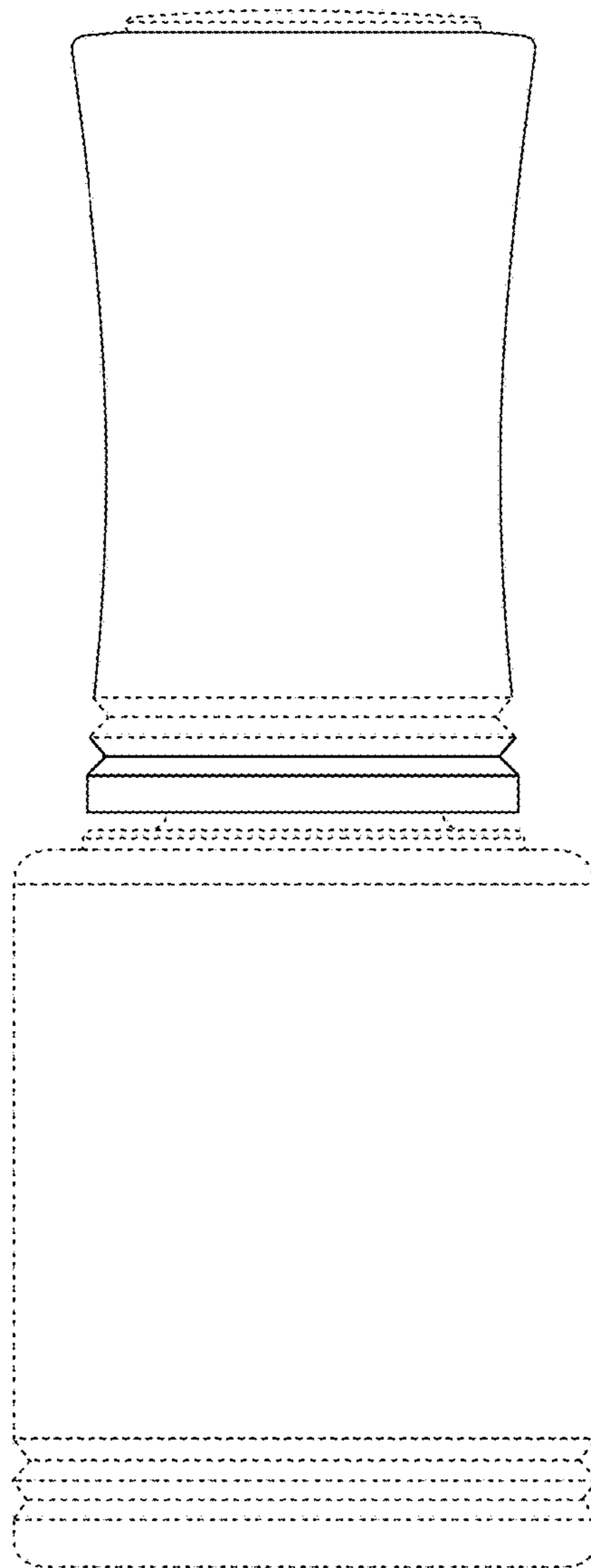
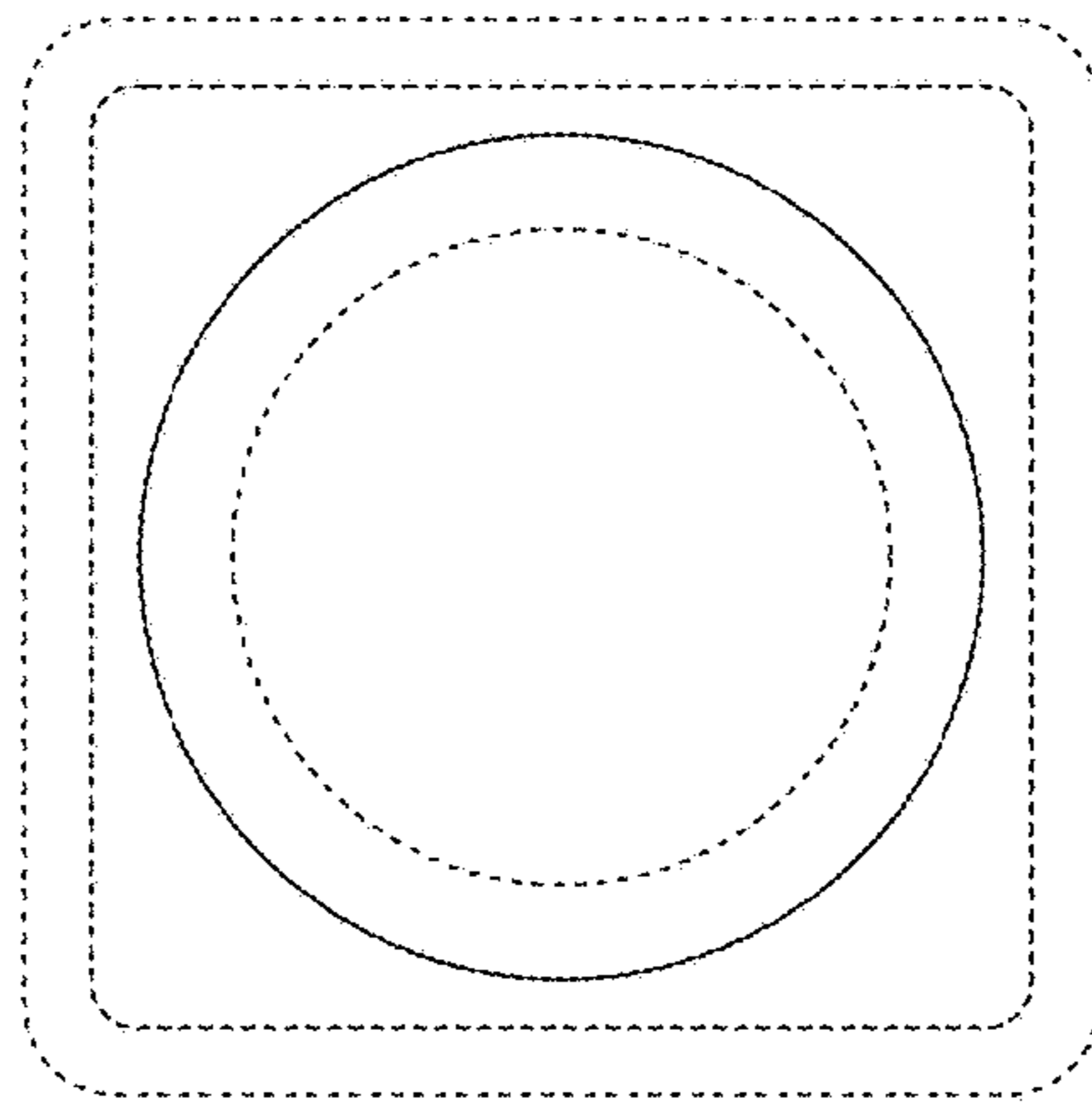


FIG. 2



**FIG. 3**