

US00D867884S

(12) **United States Design Patent**  
**Byron et al.**

(10) **Patent No.:** **US D867,884 S**

(45) **Date of Patent:** **\*\* \*Nov. 26, 2019**

(54) **BOTTLE CAP AND FITMENT ASSEMBLY**

(71) Applicant: **Kent Byron**, New Iberia, LA (US)

(72) Inventors: **Kent Byron**, Lafayette, LA (US); **Jason Burroughs**, Tampa, FL (US)

(73) Assignee: **Kent Byron**, New Iberia, LA (US)

(\*) Notice: This patent is subject to a terminal disclaimer.

(\*\*) Term: **15 Years**

(21) Appl. No.: **29/626,394**

(22) Filed: **Nov. 16, 2017**

(51) **LOC (12) Cl.** ..... **09-07**

(52) **U.S. Cl.**  
USPC ..... **D9/454**

(58) **Field of Classification Search**  
USPC ..... D9/428, 429, 432, 434, 435, 436, 439,  
D9/440, 443, 444, 445, 447, 449-455,  
D9/499, 500, 503, 504, 705; D7/317,  
D7/387, 391, 392, 392.1, 393, 396.1,  
D7/396.2, 509-511, 538, 900; D3/202,  
D3/203.2, 294, 302, 318; D28/91  
CPC .. A61J 1/00; A61J 1/1412; B65D 1/00; B65D  
1/02; B65D 1/10; B65D 1/46; B65D  
2585/56; B65D 2585/545; B65D 41/00;  
B65D 41/38; B65D 41/56; B65D 41/62;  
B65D 47/00; B65D 47/06; B65D 47/08;  
B65D 2543/00046; B65D 2543/00092;  
B65D 2543/00296; B65D 5/46; B65D  
2251/00

See application file for complete search history.

(56) **References Cited**

**U.S. PATENT DOCUMENTS**

2,082,614 A \* 6/1937 Brodrick ..... B65D 3/04  
220/258.3  
D127,331 S \* 5/1941 Rosenfeld ..... D28/91

D145,738 S \* 10/1946 Lewis ..... D3/302  
D188,771 S \* 9/1960 Chaplin ..... D9/452  
3,149,611 A \* 9/1964 Harrison ..... A01K 7/06  
119/72.5  
5,579,943 A \* 12/1996 Johnson ..... B65D 51/20  
215/239  
5,797,509 A \* 8/1998 Fitch ..... B65D 51/20  
215/232  
6,003,701 A \* 12/1999 Hidding ..... B65D 41/3409  
215/252  
6,085,919 A \* 7/2000 Singer ..... A63H 1/30  
206/217  
D446,122 S \* 8/2001 Weinstein ..... D9/428  
D451,393 S \* 12/2001 Gerhart ..... D9/453  
D460,357 S \* 7/2002 Kras ..... D9/435  
D481,314 S \* 10/2003 Noonan ..... D9/438  
D512,636 S \* 12/2005 Pace ..... D9/504

(Continued)

*Primary Examiner* — Michael A. Pratt

*Assistant Examiner* — Wendy L Arminio

(74) *Attorney, Agent, or Firm* — Jones Walker LLP

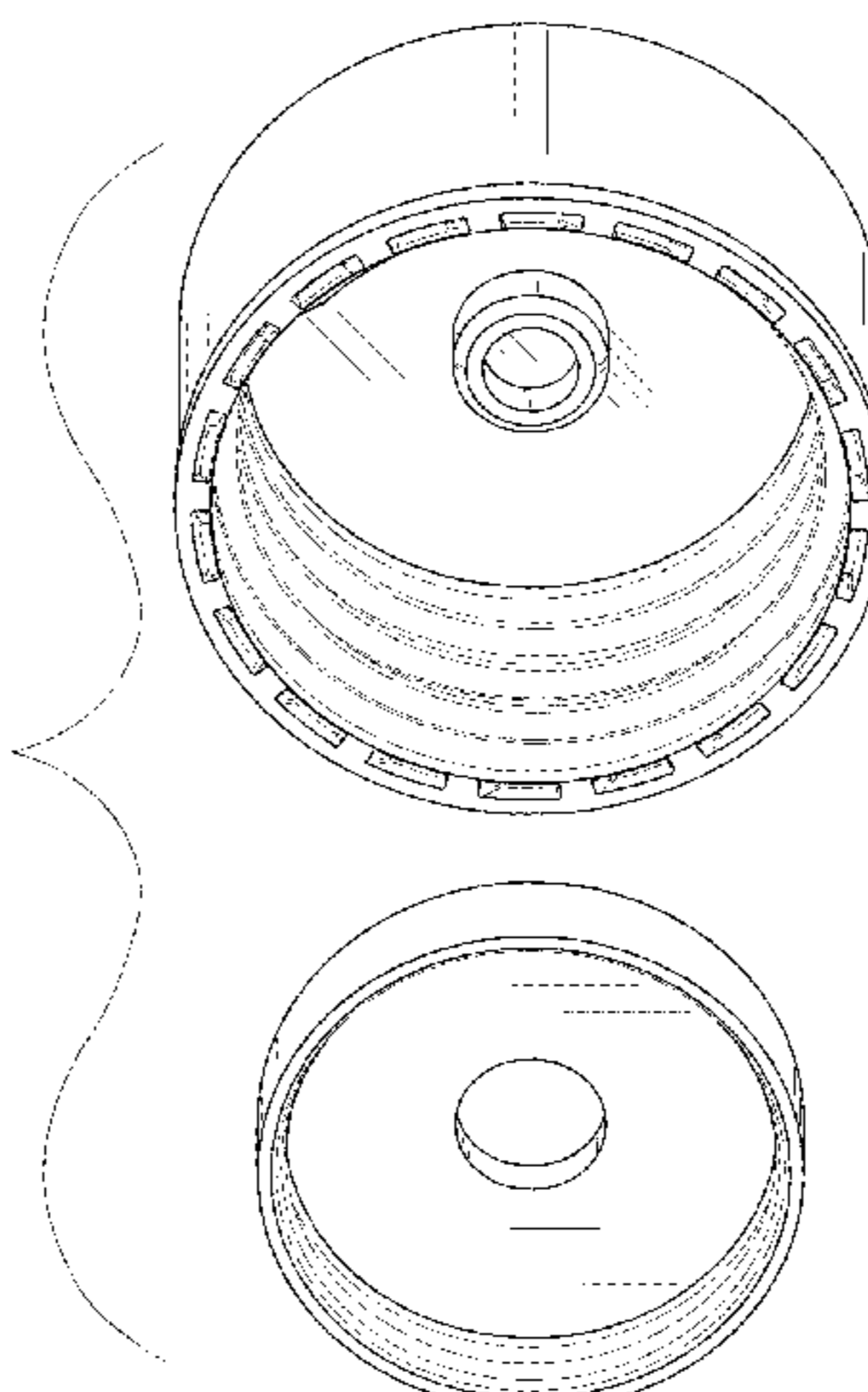
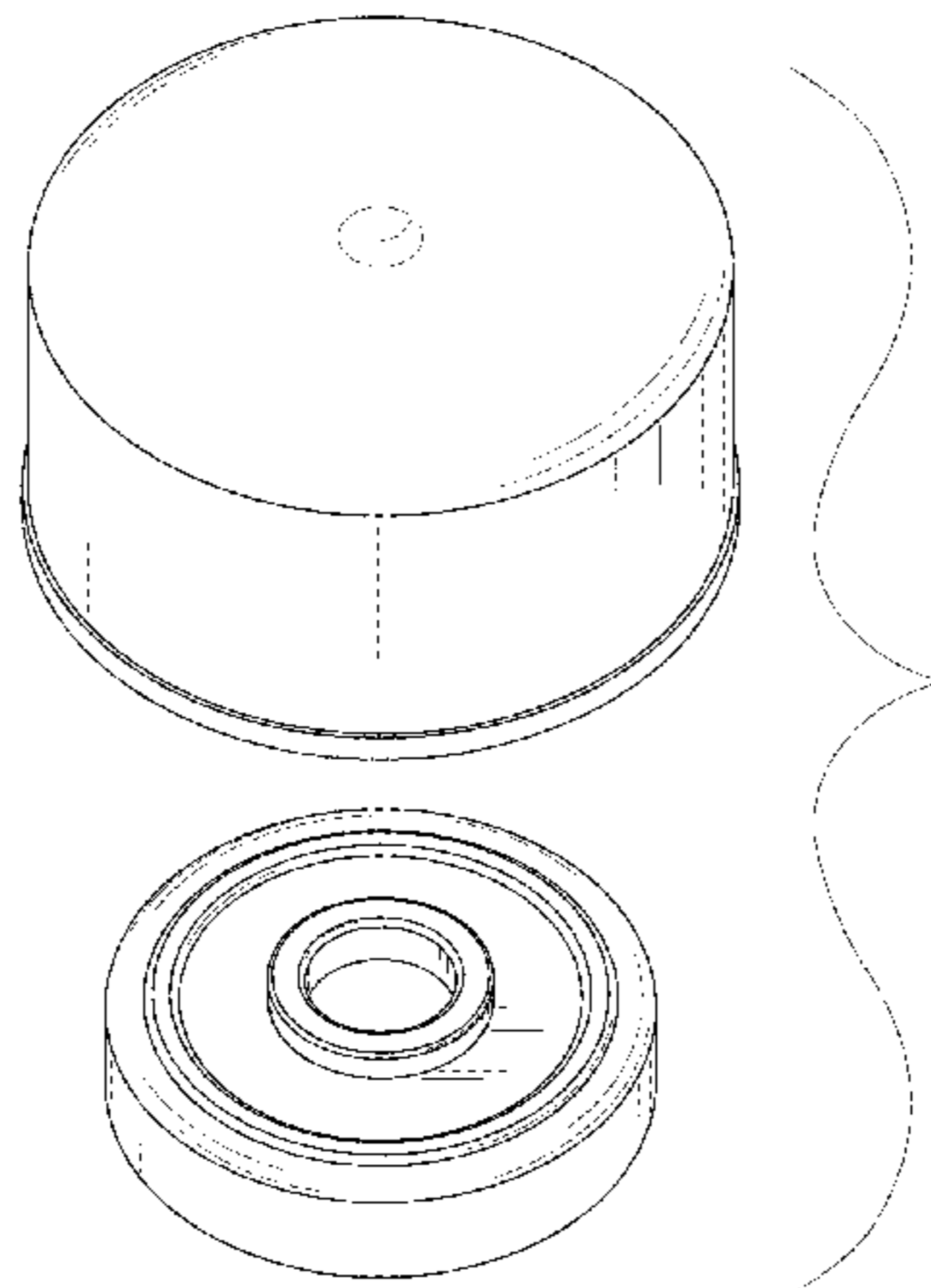
(57) **CLAIM**

We claim the ornamental design for a bottle cap and fitment assembly, as shown and described.

**DESCRIPTION**

FIG. 1 is a top perspective exploded view of a bottle cap and fitment assembly showing our new design;  
FIG. 2 is a bottom perspective exploded view thereof;  
FIG. 3 is a front exploded view thereof;  
FIG. 4 is a bottom perspective view of the bottle cap and fitment assembly of FIG. 1 shown in an assembled configuration;  
FIG. 5 is a top view thereof;  
FIG. 6 is a bottom view thereof;  
FIG. 7 is a front view thereof; and,  
FIG. 8 is a sectional view thereof taken in the direction of line 8-8 in FIG. 5.

**1 Claim, 3 Drawing Sheets**



(56)

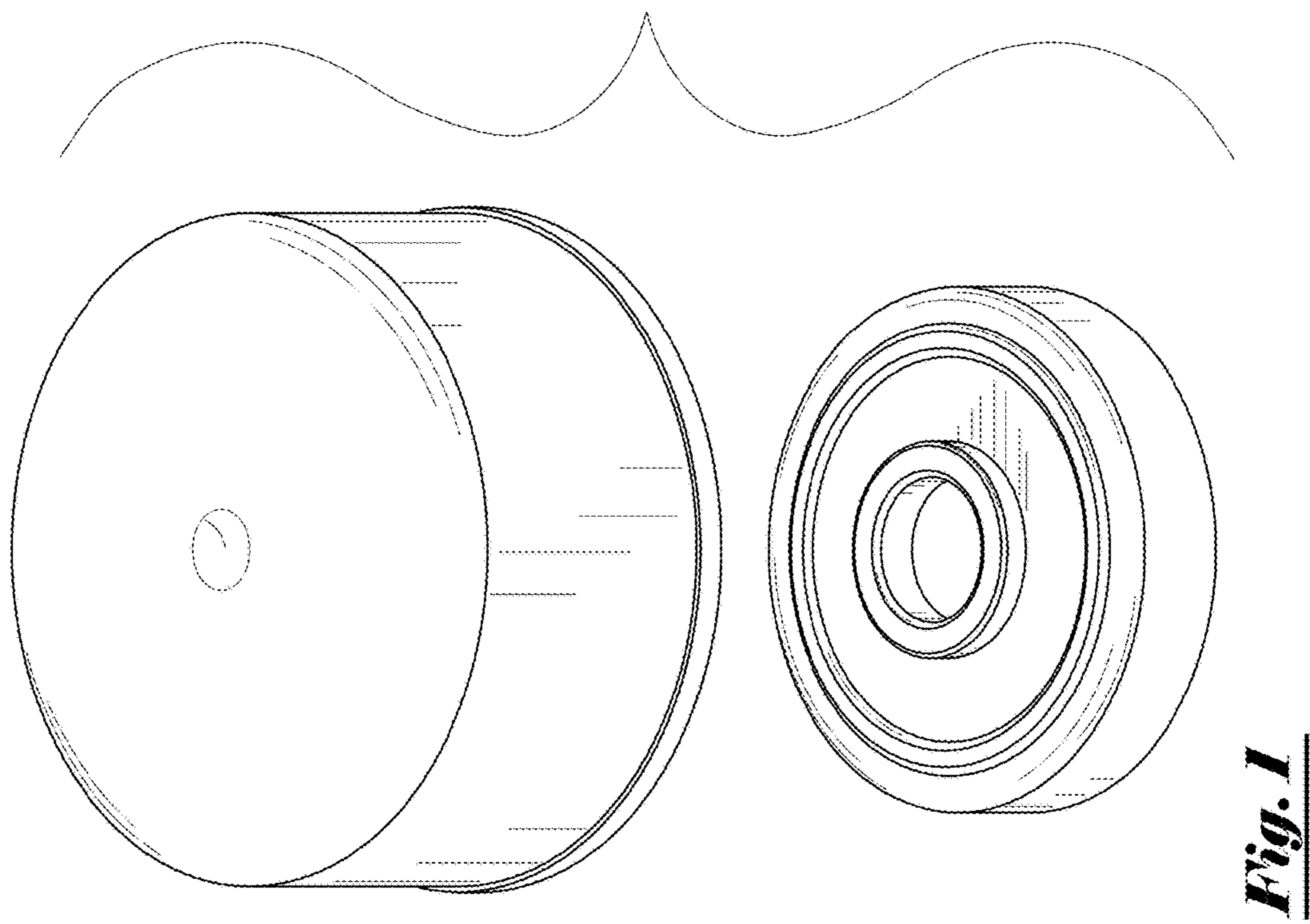
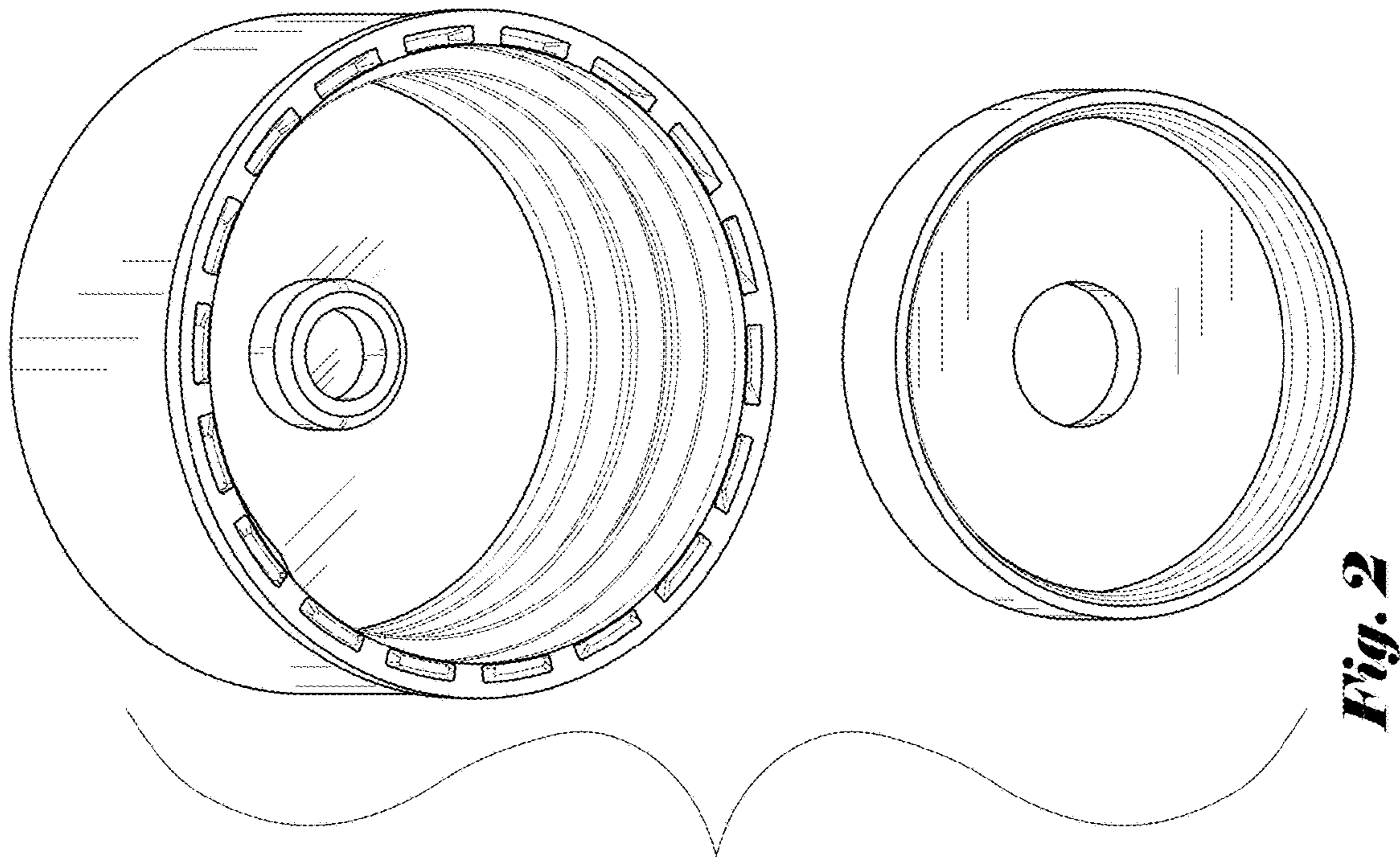
References Cited

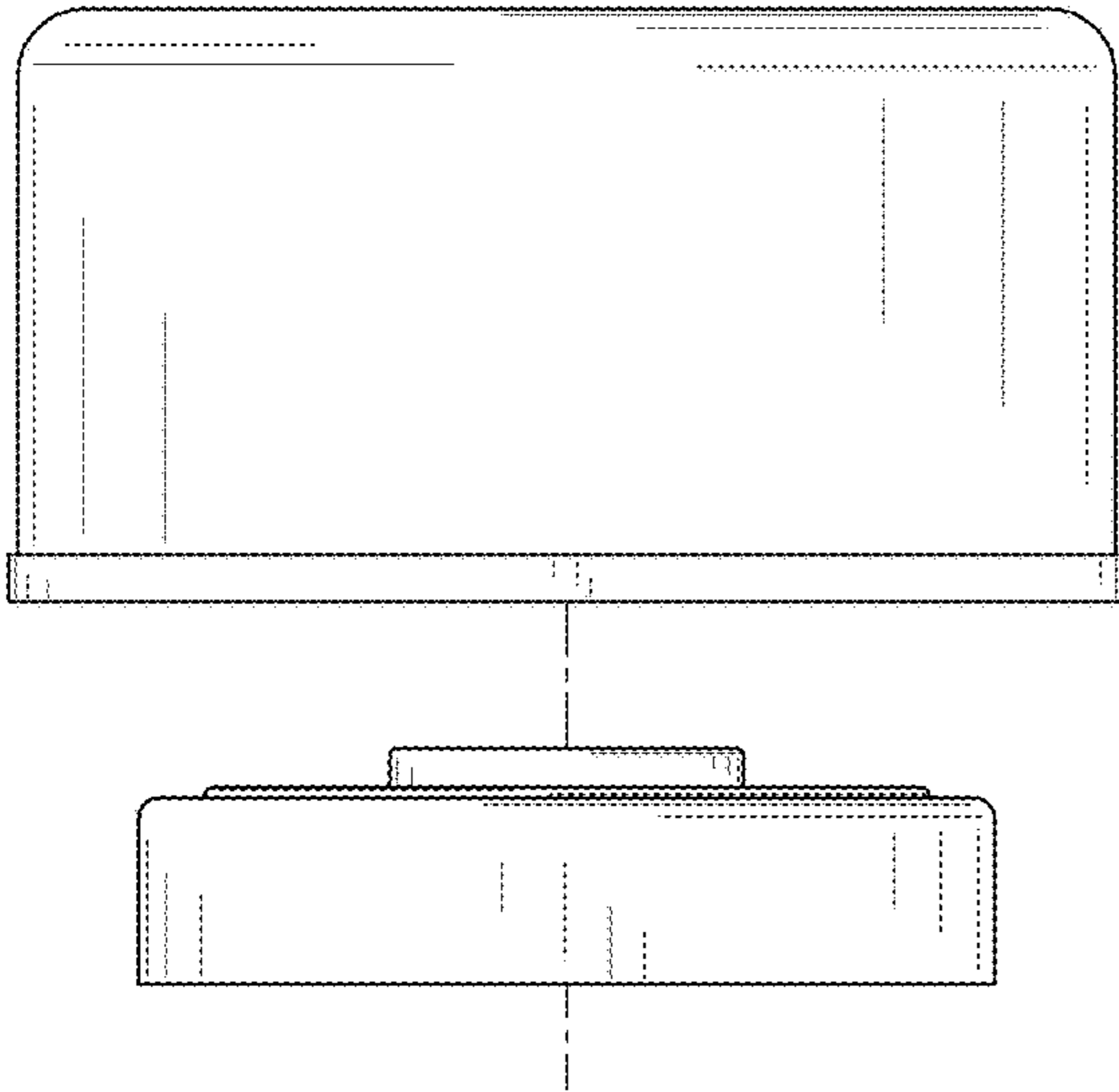
U.S. PATENT DOCUMENTS

6,983,857 B2 \* 1/2006 Miller ..... B65D 51/165  
215/270  
D518,717 S \* 4/2006 German ..... D9/453  
D548,101 S \* 8/2007 Elgebrant ..... D9/560  
D614,952 S \* 5/2010 Caserta ..... D9/438  
D687,299 S \* 8/2013 Peykoff ..... D9/453  
D734,669 S \* 7/2015 Crosta ..... D9/449  
9,237,608 B2 \* 1/2016 Barclay ..... H05B 6/6447  
D751,902 S \* 3/2016 Sturk ..... D9/447  
D769,120 S \* 10/2016 Albuquerque ..... D9/454  
D789,201 S \* 6/2017 Yu ..... D9/453  
D792,219 S \* 7/2017 Bueno Nunez ..... D9/453  
D799,963 S \* 10/2017 Akiyama ..... D9/454  
9,795,165 B2 \* 10/2017 Bried ..... A24F 23/00  
D820,037 S \* 6/2018 Ivankovic ..... B65D 21/0233  
D7/391  
D824,760 S \* 8/2018 Lebon ..... D9/447

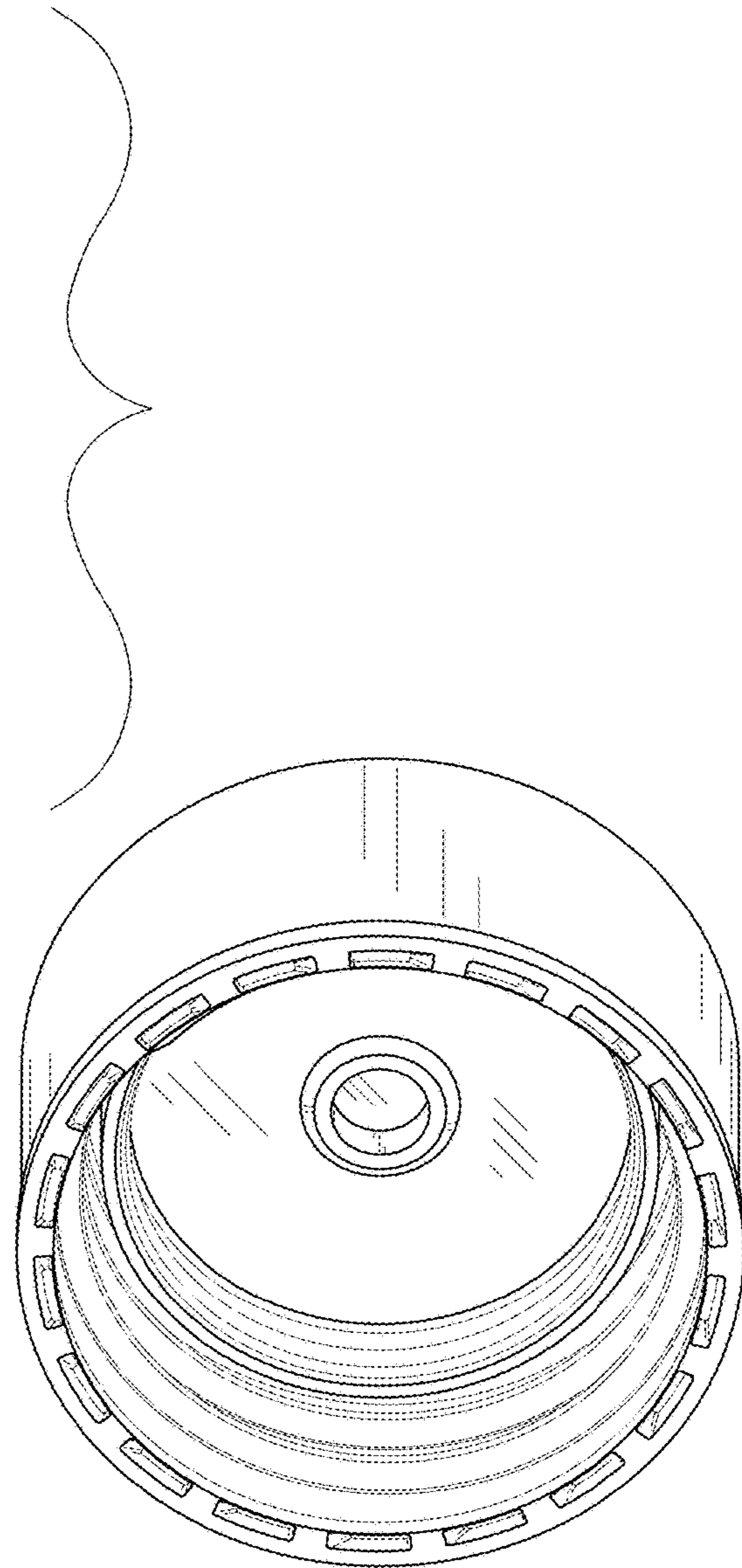
D824,763 S \* 8/2018 Suess ..... D9/454  
2003/0071042 A1 \* 4/2003 Adams ..... B65D 5/746  
220/258.2  
2005/0172814 A1 \* 8/2005 Brunk ..... B01D 53/0415  
96/108  
2006/0124575 A1 \* 6/2006 Mavin ..... B65D 5/746  
215/252  
2010/0200532 A1 \* 8/2010 Ekkert ..... B65D 41/00  
215/201  
2011/0031251 A1 \* 2/2011 Seok ..... B05B 11/0072  
220/378  
2012/0031871 A1 \* 2/2012 Molinaro ..... B65D 1/023  
215/44  
2013/0092691 A1 \* 4/2013 Sato ..... A45D 33/20  
220/288  
2015/0320639 A1 \* 11/2015 Perot ..... A61J 1/1406  
604/404  
2018/0208376 A1 \* 7/2018 Dunwoody ..... B21D 51/48

\* cited by examiner

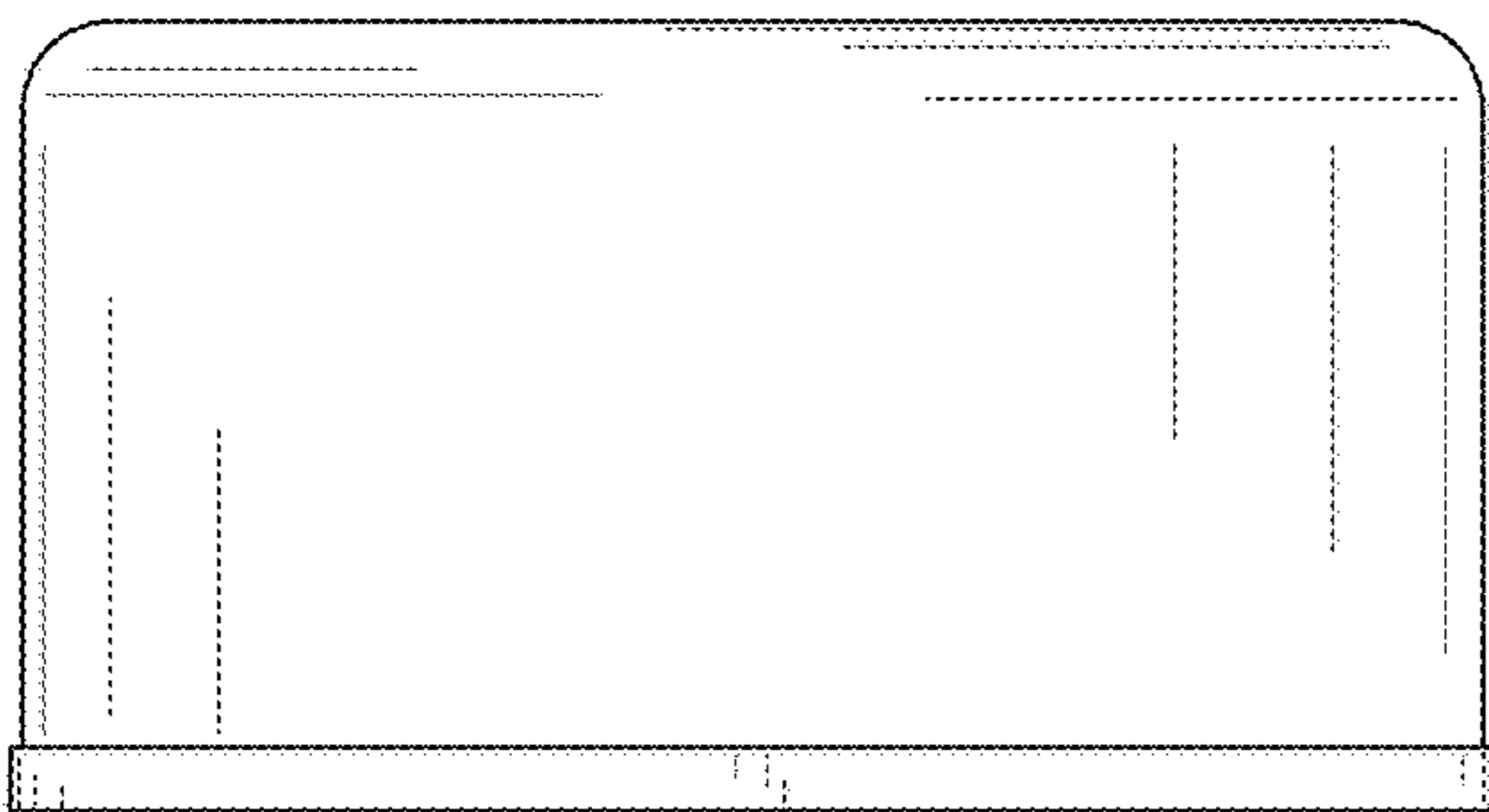




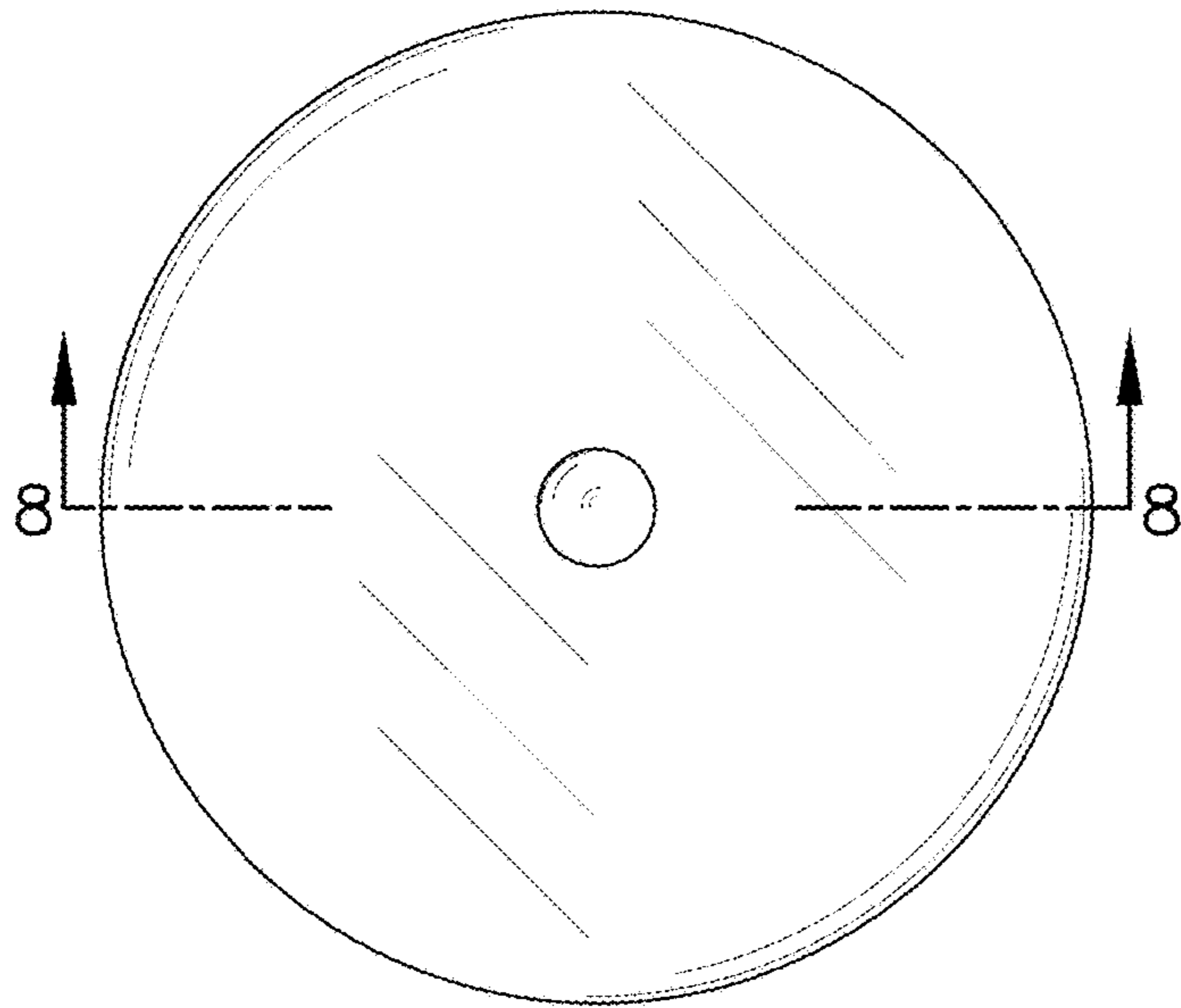
**Fig. 3**



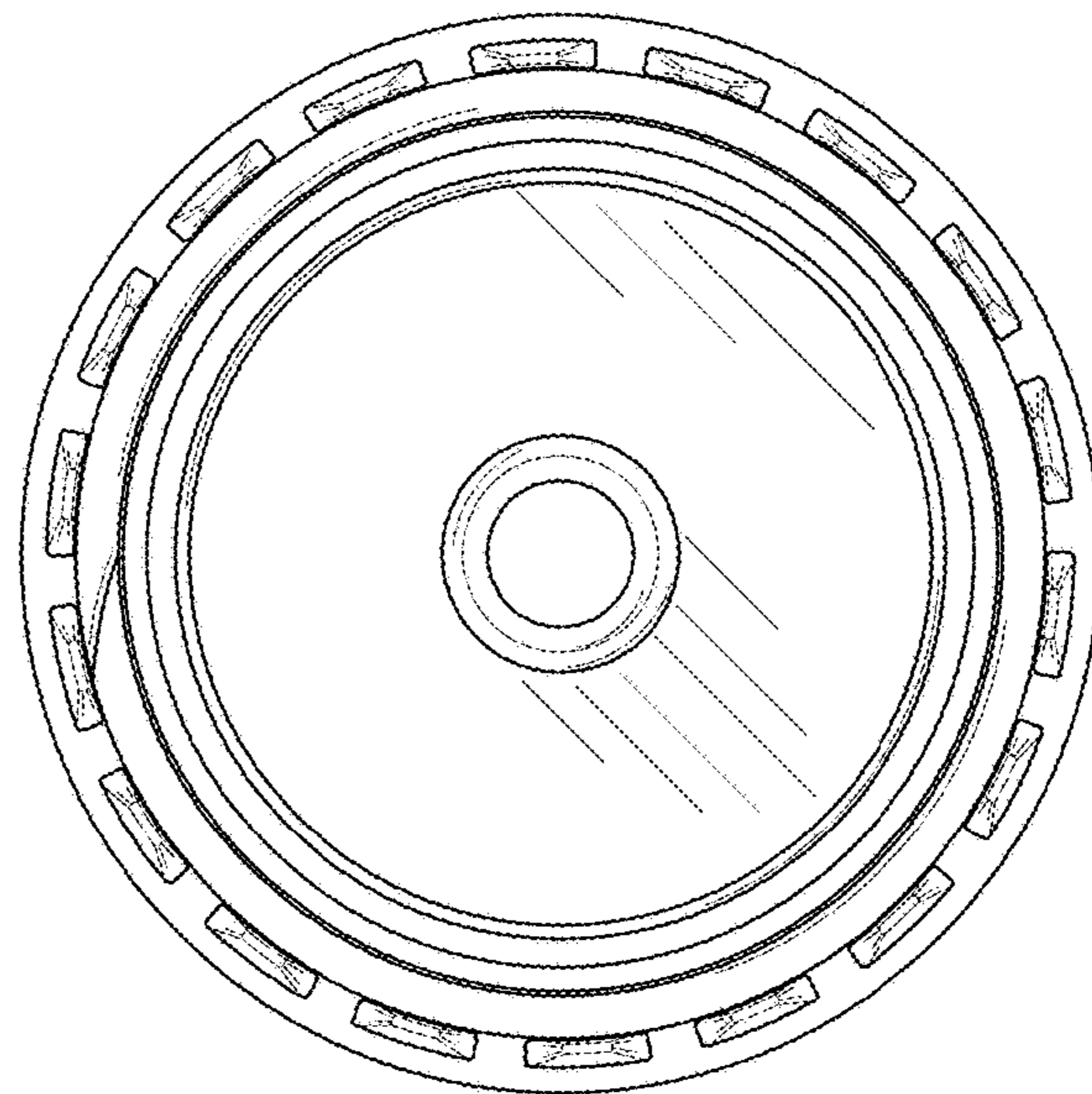
**Fig. 4**



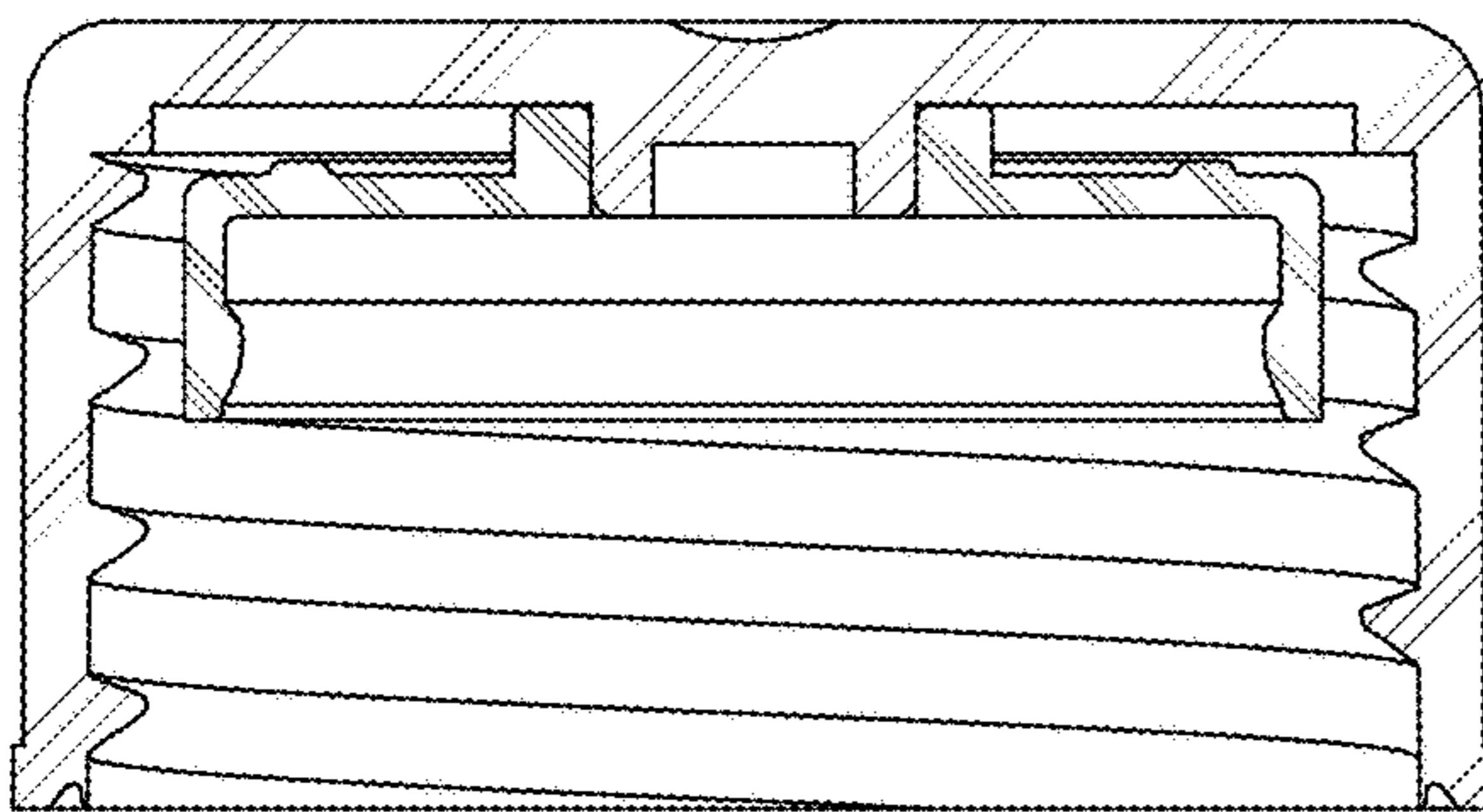
**Fig. 7**



**Fig. 5**



**Fig. 6**



**Fig. 8**