



US00D867882S

(12) **United States Design Patent** (10) **Patent No.:** **US D867,882 S**
Arminak (45) **Date of Patent:** **** Nov. 26, 2019**

(54) **CHILD PROOF FLIP-TOP CAP**

(71) Applicant: **Armin Arminak**, Pasadena, CA (US)

(72) Inventor: **Armin Arminak**, Pasadena, CA (US)

(**) Term: **15 Years**

(21) Appl. No.: **29/654,879**

(22) Filed: **Jun. 28, 2018**

Related U.S. Application Data

(63) Continuation of application No. 15/986,650, filed on May 22, 2018.

(51) **LOC (12) Cl.** **09-07**

(52) **U.S. Cl.**
USPC **D9/449**

(58) **Field of Classification Search**

USPC D7/387, 388, 391, 392, 392.1, 393, 394, D7/395, 396.1, 396.2, 396.6, 397, 398, D7/403, 509, 510, 511, 566, 624.1, 625, D7/672, 900; D8/300, 303, 330, 354, D8/356, 382, 396; D9/434, 435, 436, D9/437, 438, 443, 448, 449, 450, 451, D9/454, 453, 516, 529, 548, 685, 686, D9/723, 730, 763; D24/121, 127, 194, D24/196; D28/76, 78, 91.1; D23/206, D23/209, 259, 260, 365
CPC .. A01G 31/02; A01G 9/0293; B65D 43/0231; B65D 51/24; B65D 83/0038; B65D 17/08; B65D 2517/0062; B65D 2543/0037; B65D 51/245; B65D 50/041; B65D 41/04; B65D 25/18; B65D 51/242; B65D 23/00; B65D 1/00; B65D 1/02; B65D 1/0223; B65D 39/08; B44D 3/006; A46B 2200/1046; A46B 17/00; A46B 17/02; A46B 17/06; A46B 17/07; A46B 17/08;

(Continued)

(56) **References Cited**

U.S. PATENT DOCUMENTS

1,695,677 A * 12/1928 Barany A45D 33/16
132/299
4,598,833 A 7/1986 Herr
(Continued)

FOREIGN PATENT DOCUMENTS

WO 2017220729 4/2015
WO 2015052671 12/2017

Primary Examiner — Jennifer Rivard

Assistant Examiner — Catherine S Posthauer

(74) *Attorney, Agent, or Firm* — Cislo & Thomas, LLP

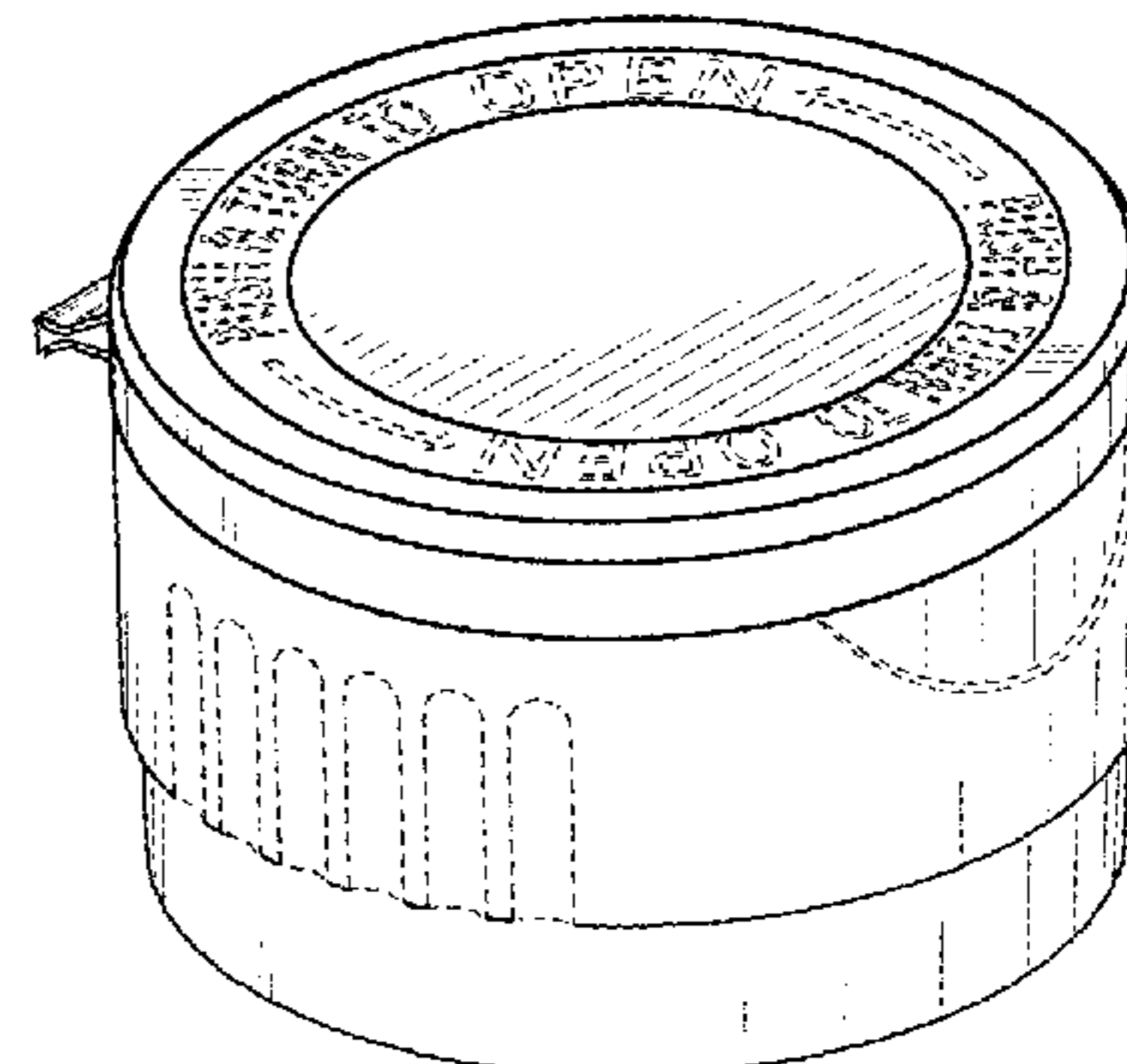
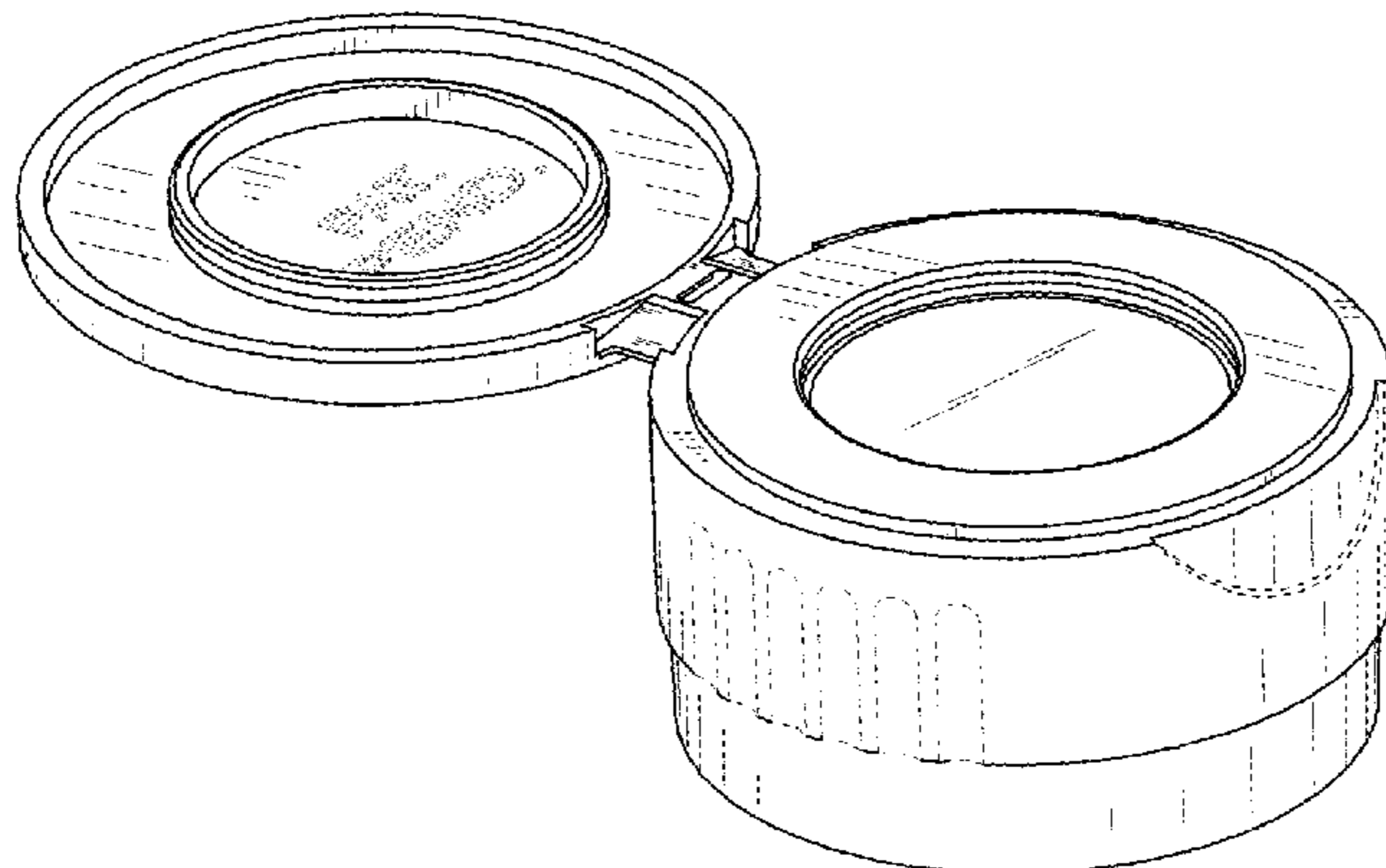
(57) **CLAIM**

The ornamental design for a child proof flip-top cap, as shown and described herein.

DESCRIPTION

FIG. 1 is a front perspective view of the child proof flip-top cap, showing my new design, with the flip-top cap in the open position;
FIG. 2 is a top plan view thereof;
FIG. 3 is a bottom plan view thereof;
FIG. 4 is a front elevation view thereof;
FIG. 5 is a rear elevation view thereof;
FIG. 6 is a right side view thereof; and
FIG. 7 is a left side view thereof.
FIG. 8 is a front perspective view of the child proof flip top-cap, showing my new design, with the flip-top cap in the closed position;
FIG. 9 is a top plan view thereof;
FIG. 10 is a bottom plan view thereof;
FIG. 11 is a front elevation view thereof;
FIG. 12 is a rear elevation view thereof;
FIG. 13 is a right side view thereof; and,
FIG. 14 is a left side view thereof.

(Continued)



The broken lines are shown for the purpose of illustrating parts of the article that form no part of the claimed design.

1 Claim, 9 Drawing Sheets

(58) Field of Classification Search

CPC .. A45D 33/04; A45D 40/04; A45D 2034/005;
 A45D 2040/0043; A45D 2040/0062;
 Y02W 30/807; F25D 31/007; F25D 3/06;
 F25D 3/08; F25D 2303/081; B21D 51/32;
 B21D 51/44; A47G 19/00; A47G 19/2272

See application file for complete search history.

(56) References Cited

U.S. PATENT DOCUMENTS

5,005,718	A	4/1991	Buono	
5,417,350	A	5/1995	Koo	
5,749,484	A	5/1998	Trout	
D406,396	S *	3/1999	Granwehr	D28/76
5,927,535	A	7/1999	Goth	
D424,750	S *	5/2000	Zalzal	D28/76
D455,077	S *	4/2002	Gaiser	D9/449
D508,402	S	8/2005	Hierzer et al.	
D518,719	S	4/2006	Spreckelsen	
7,111,746	B2	9/2006	Miceli et al.	
D626,289	S *	10/2010	Lee	D28/82
D630,944	S *	1/2011	Kawamura	D9/447
8,205,761	B2	6/2012	Stull, Sr. et al.	
8,371,464	B2	2/2013	Rachuk et al.	
D696,114	S *	12/2013	Arch	D9/449

D734,669	S *	7/2015	Crosta	D9/449
D759,485	S *	6/2016	Boroski	D9/449
D784,072	S *	4/2017	Baron	D7/392.1
D799,271	S *	10/2017	Pogue	D7/510
9,834,348	B2	12/2017	Fox	
D806,465	S *	1/2018	Boroski	D7/391
D824,763	S *	8/2018	Suess	D9/454
D827,431	S *	9/2018	Frontany	D9/436
D836,387	S *	12/2018	Silsby	D7/392.1
D838,592	S *	1/2019	Henderson	D9/449
2004/0195197	A1	10/2004	Miceli et al.	
2006/0201904	A1 *	9/2006	Comeau	B65D 35/08 215/237
2006/0278665	A1 *	12/2006	Bennett	A45D 33/16 222/480
2008/0272085	A1	11/2008	Laporta	
2011/0303566	A1 *	12/2011	Gibson	A24F 23/00 206/246
2012/0267336	A1 *	10/2012	Faragher	B65D 47/0838 215/224
2013/0092691	A1 *	4/2013	Sato	A45D 33/20 220/288
2014/0311940	A1 *	10/2014	Braveman	B65D 1/10 206/524.6
2015/0129531	A1 *	5/2015	Gatton	B65D 50/041 215/201
2015/0320246	A1 *	11/2015	Jorge	A47G 19/2222 220/592.17
2016/0249727	A1 *	9/2016	Kim	A45D 34/04 401/175
2017/0267422	A1 *	9/2017	Kieras	B65D 47/0804
2018/0037375	A1 *	2/2018	Lee	A45D 40/22
2018/0257831	A1 *	9/2018	Benoit-Gonin	B65D 55/024

* cited by examiner

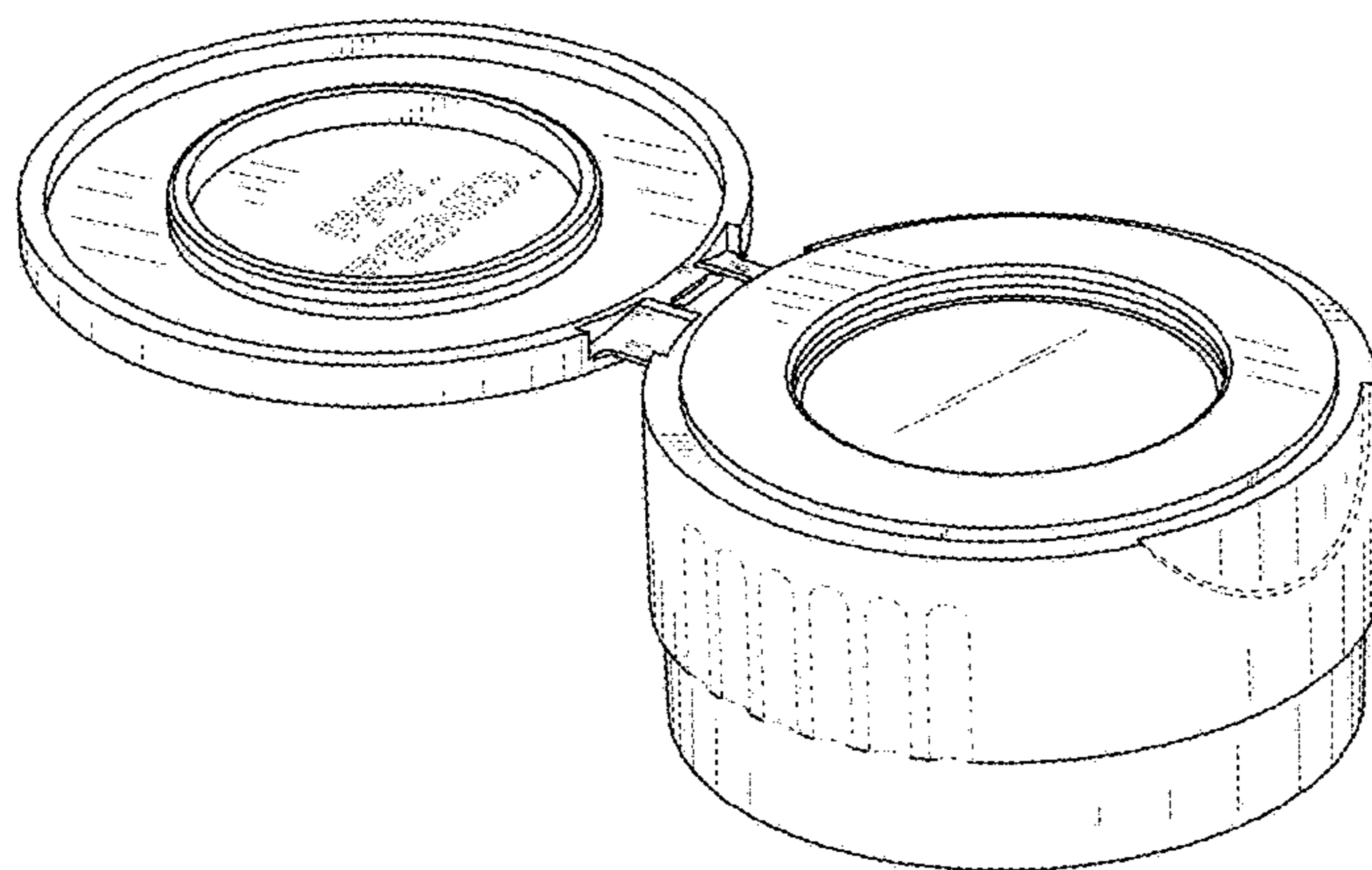


Fig. 1

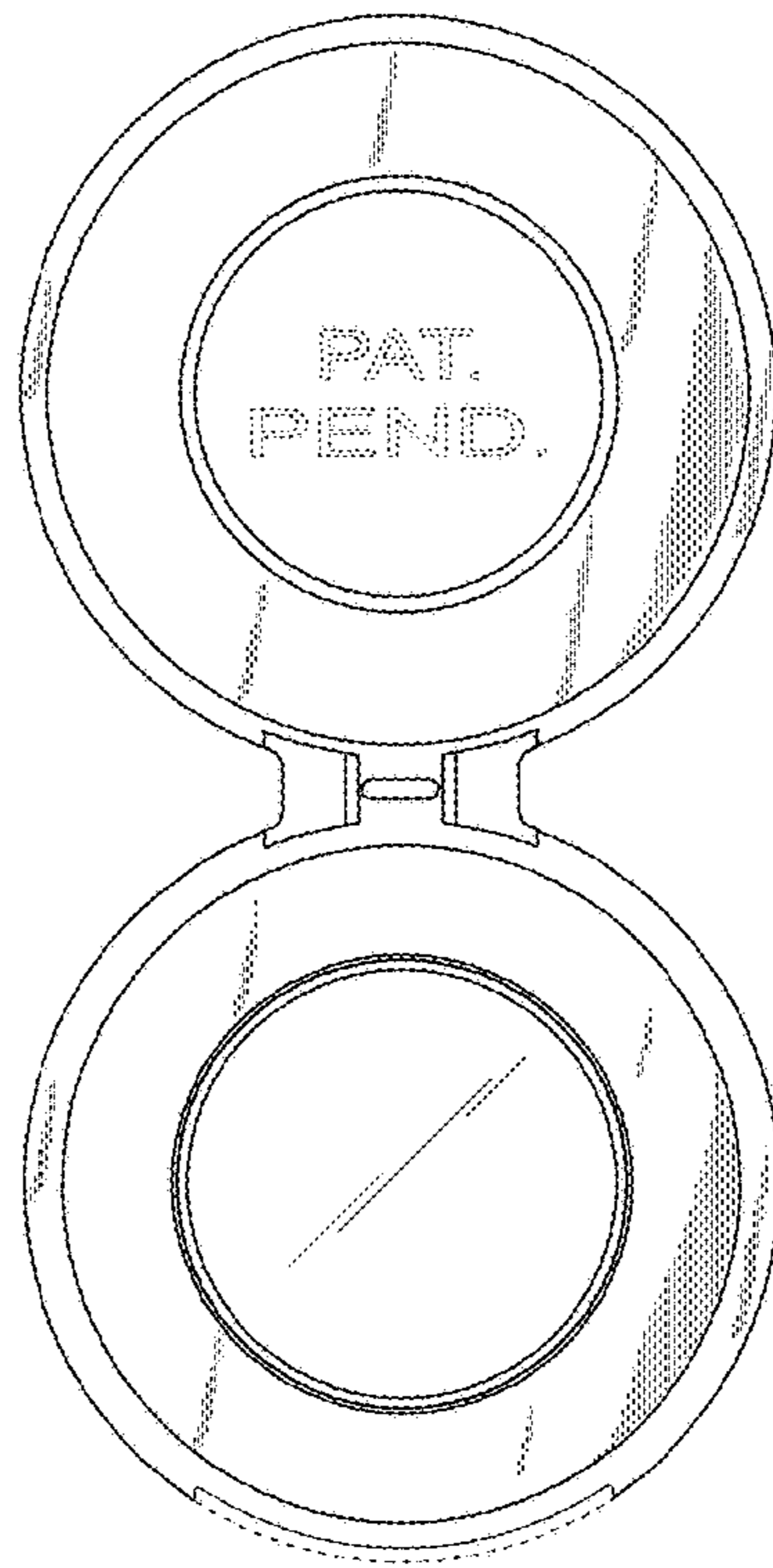


Fig. 2

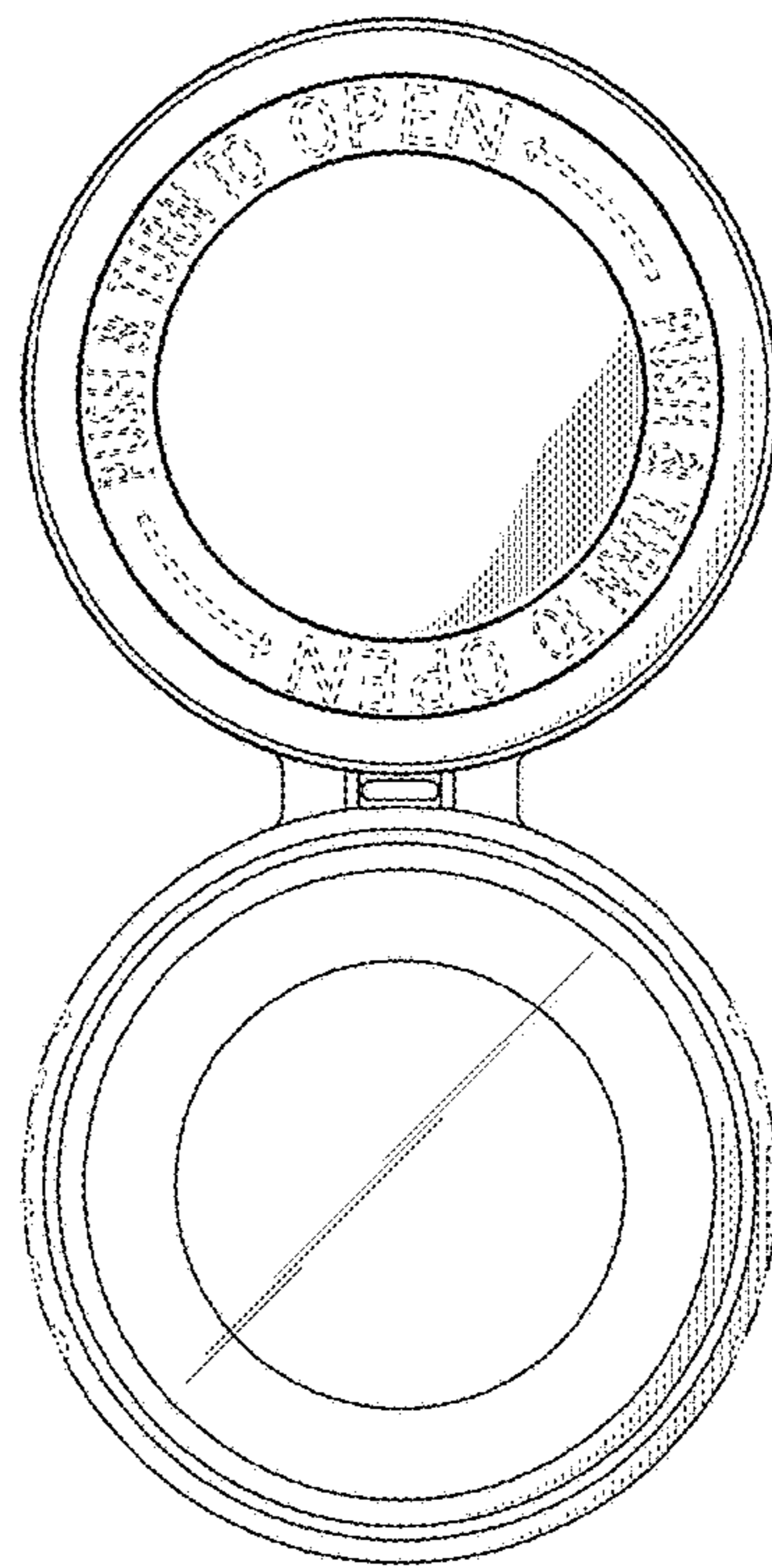


Fig. 3

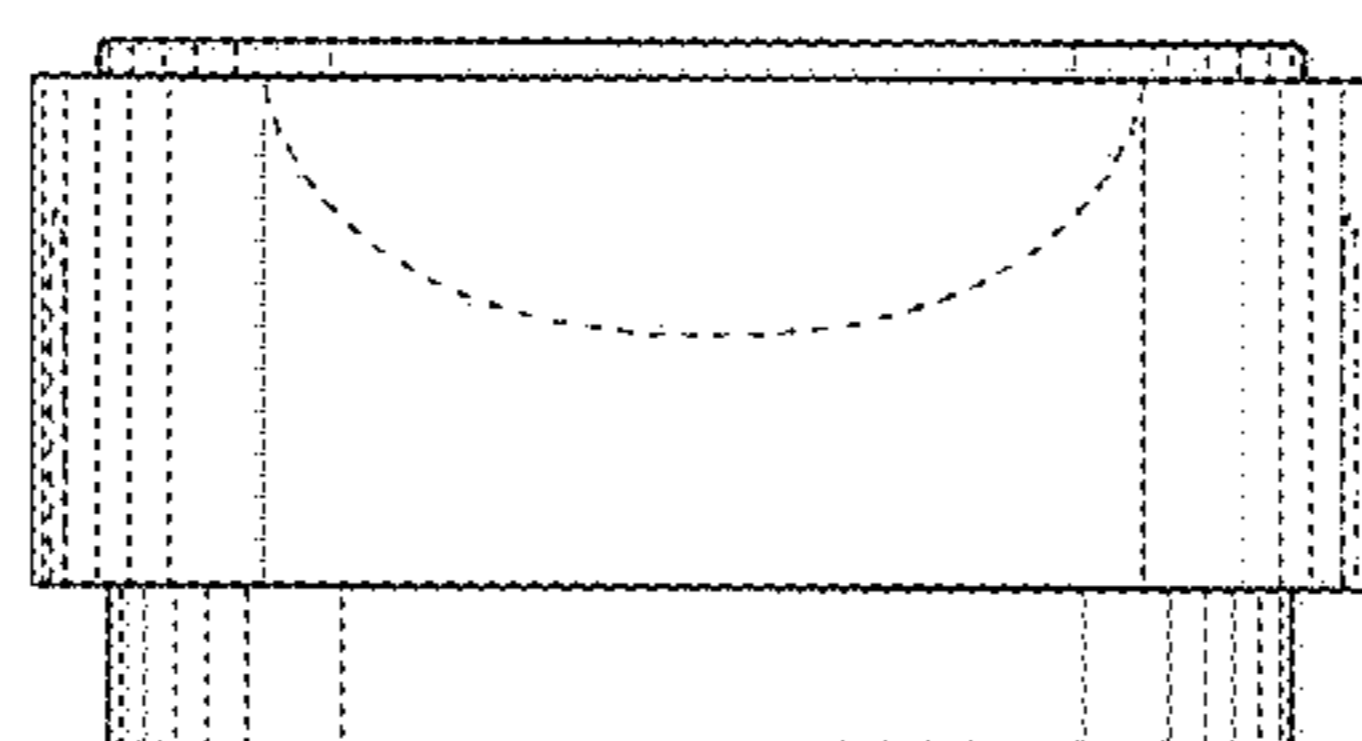


Fig. 4

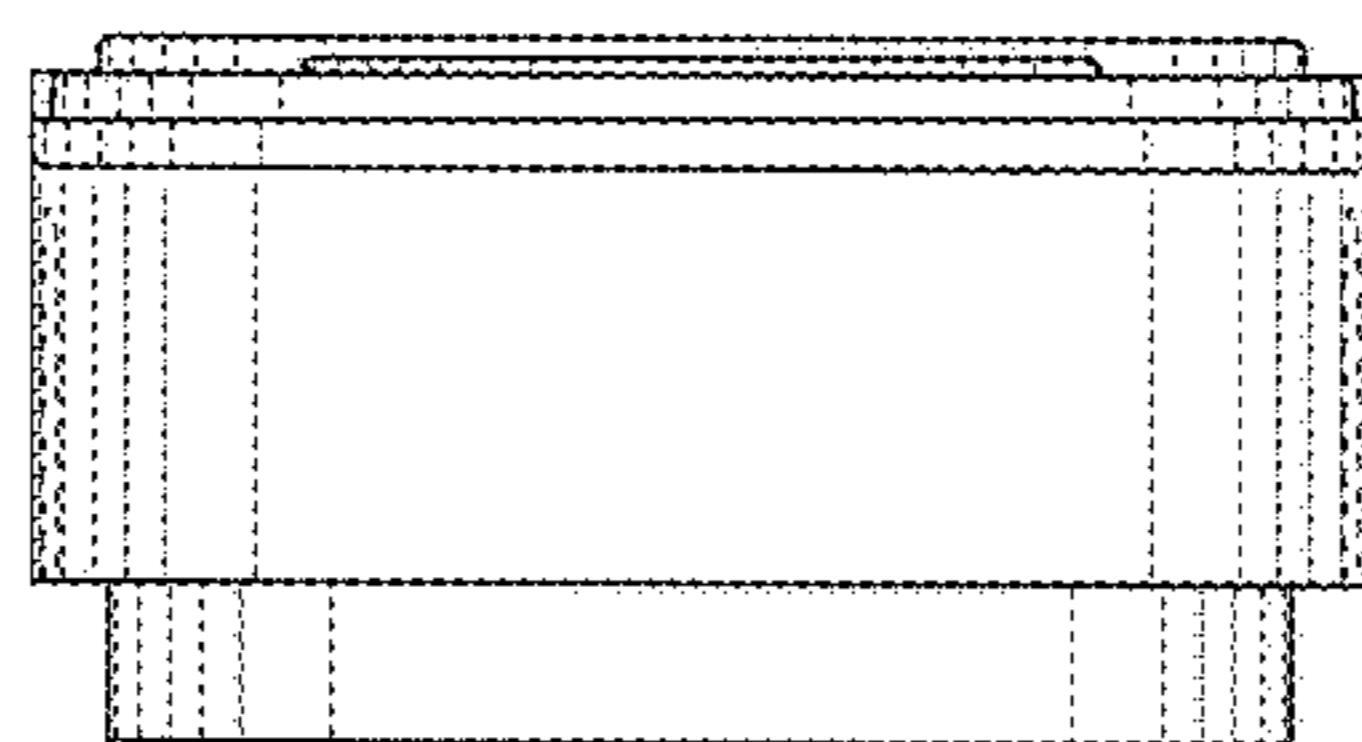


Fig. 5

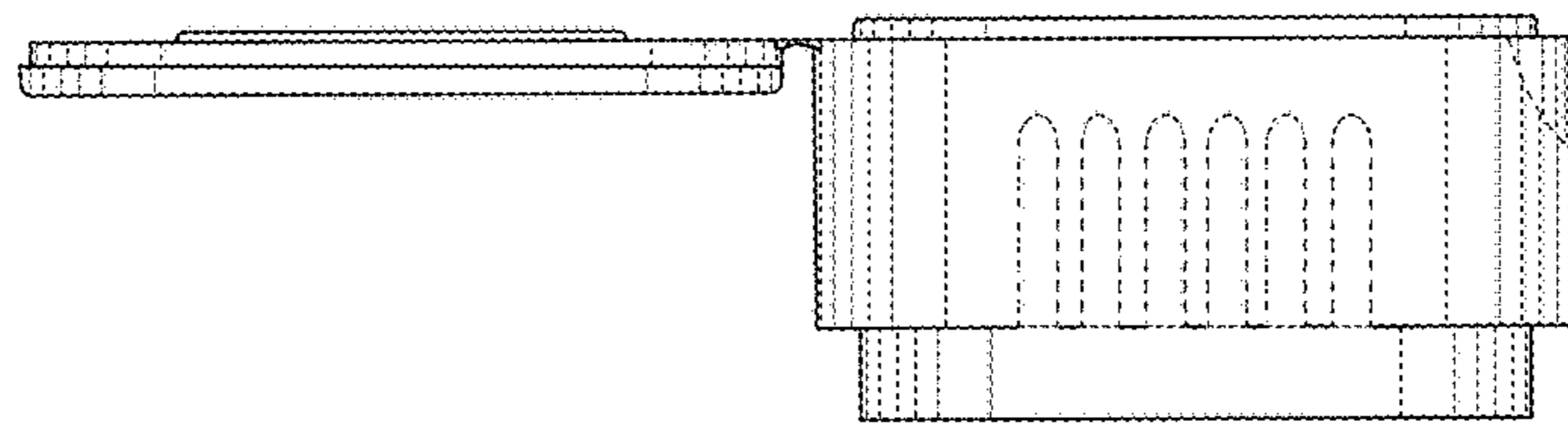


Fig. 6

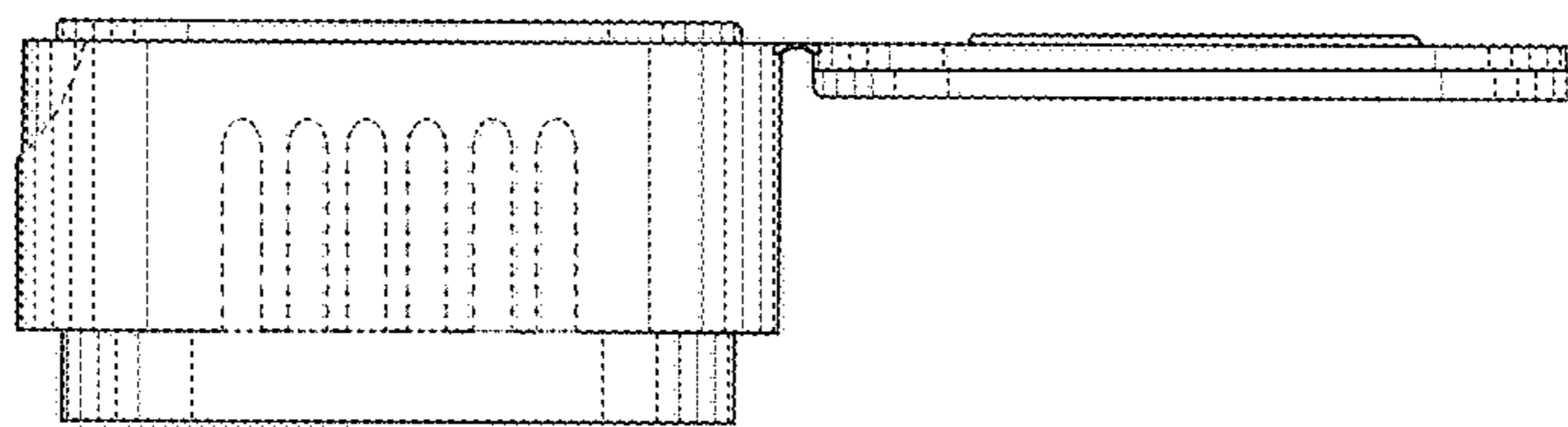


Fig. 7

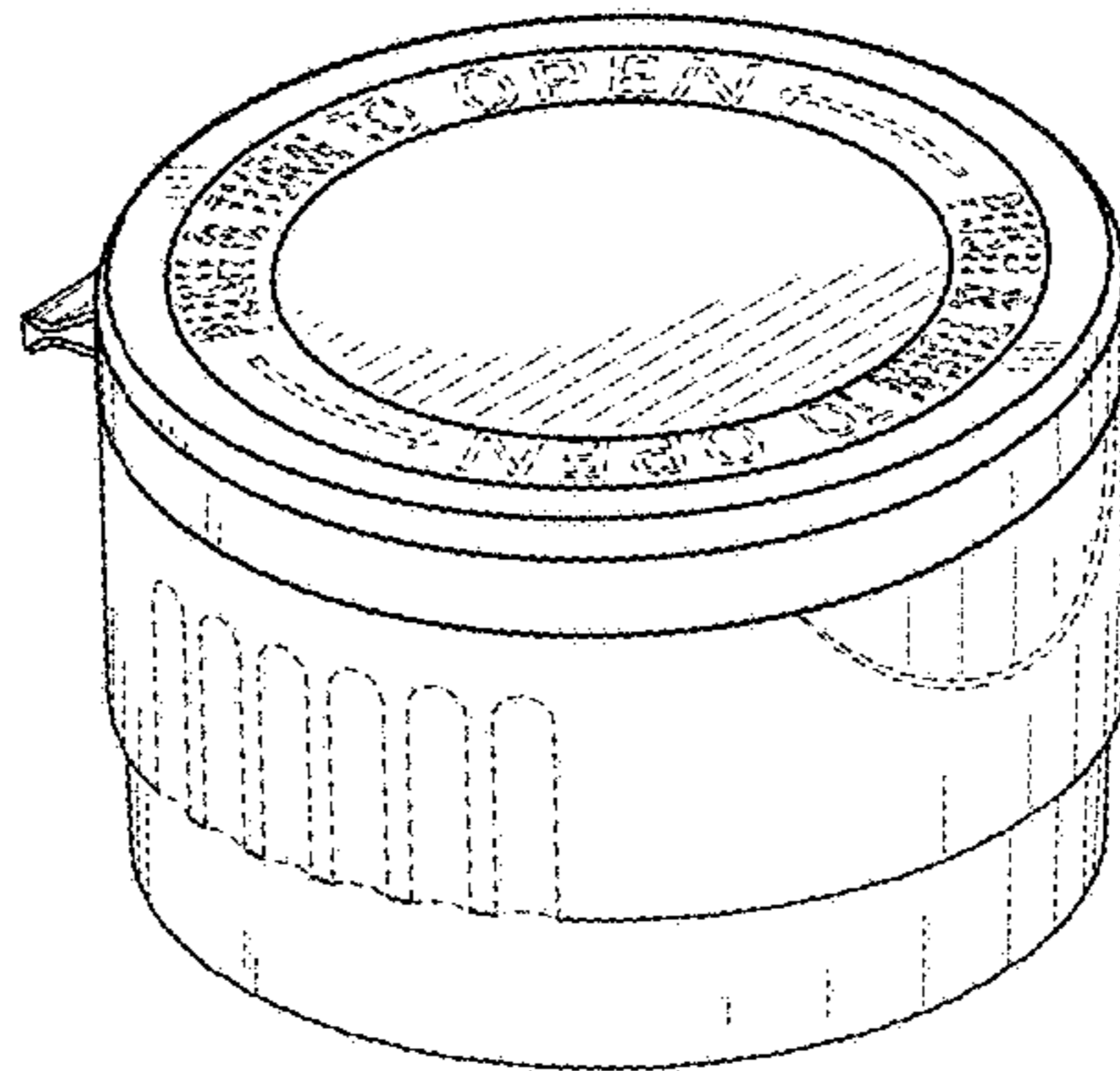


Fig. 8

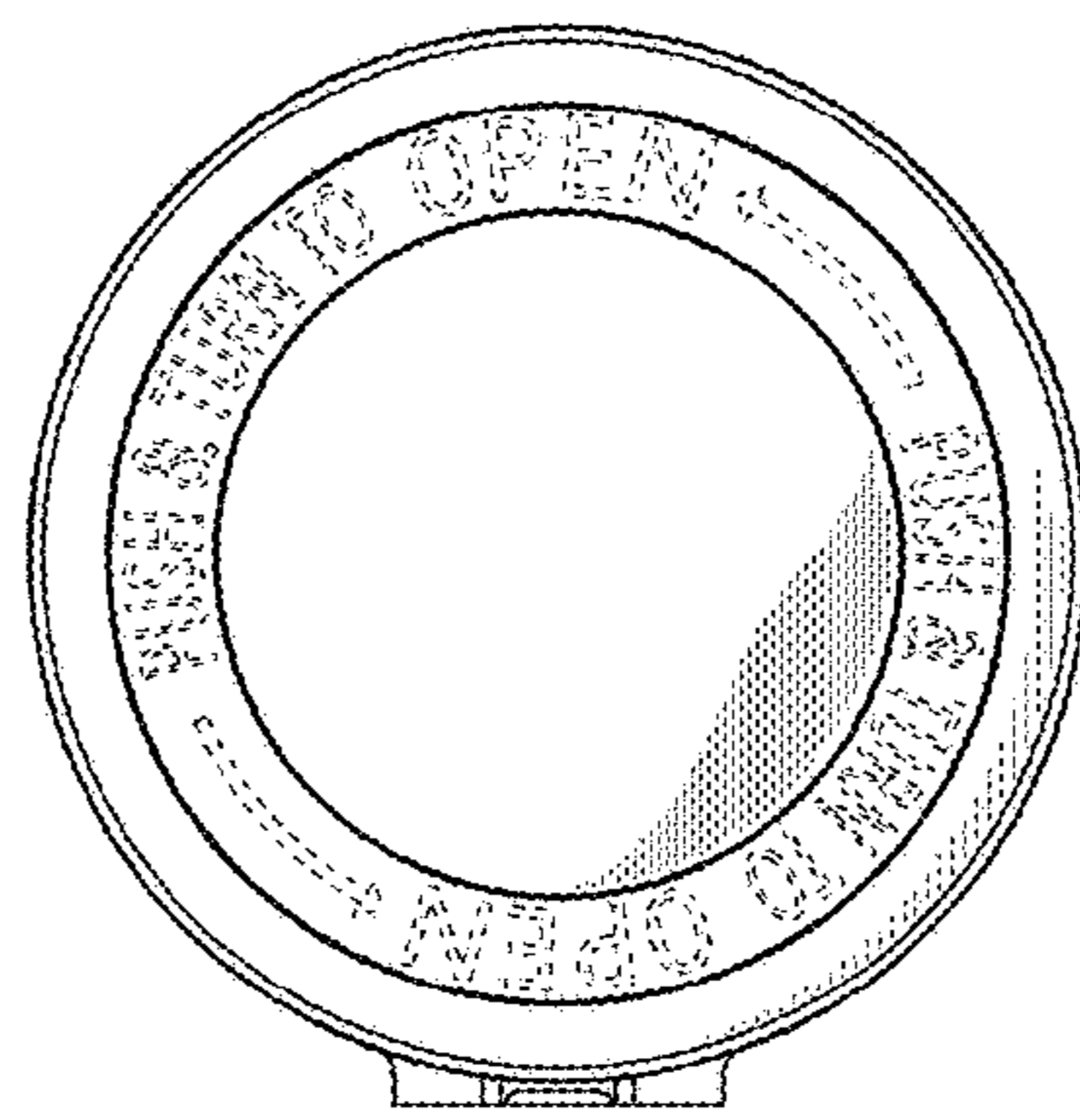


Fig. 9

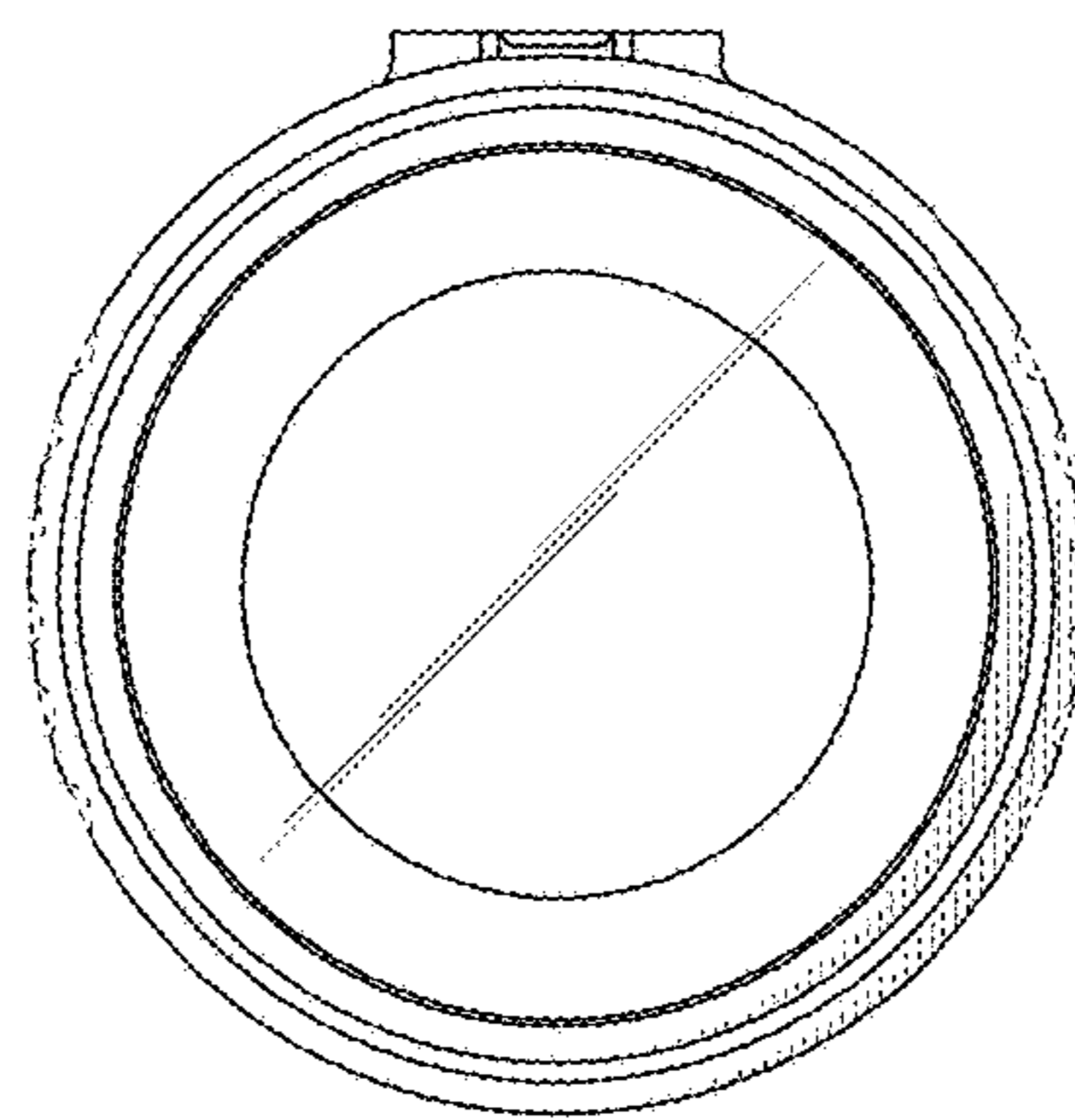


Fig. 10

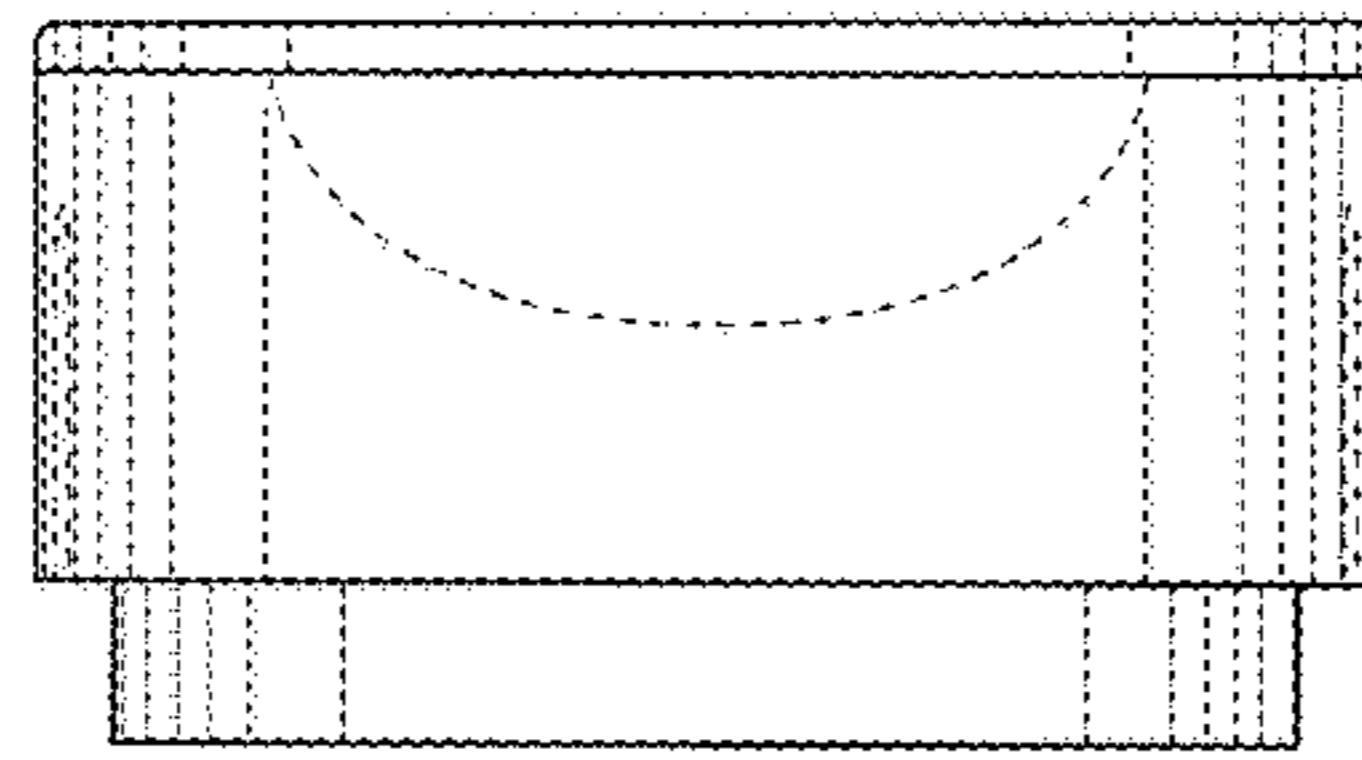


Fig. 11

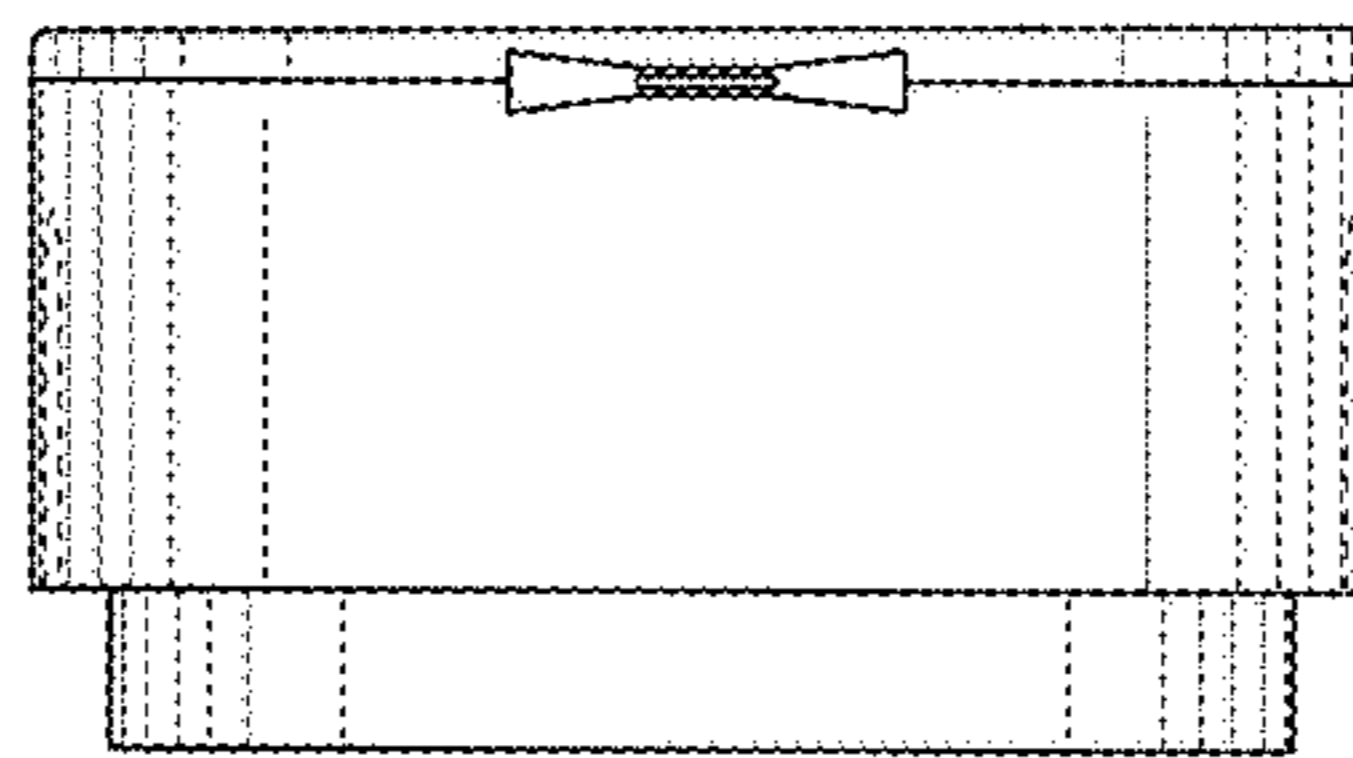


Fig. 12

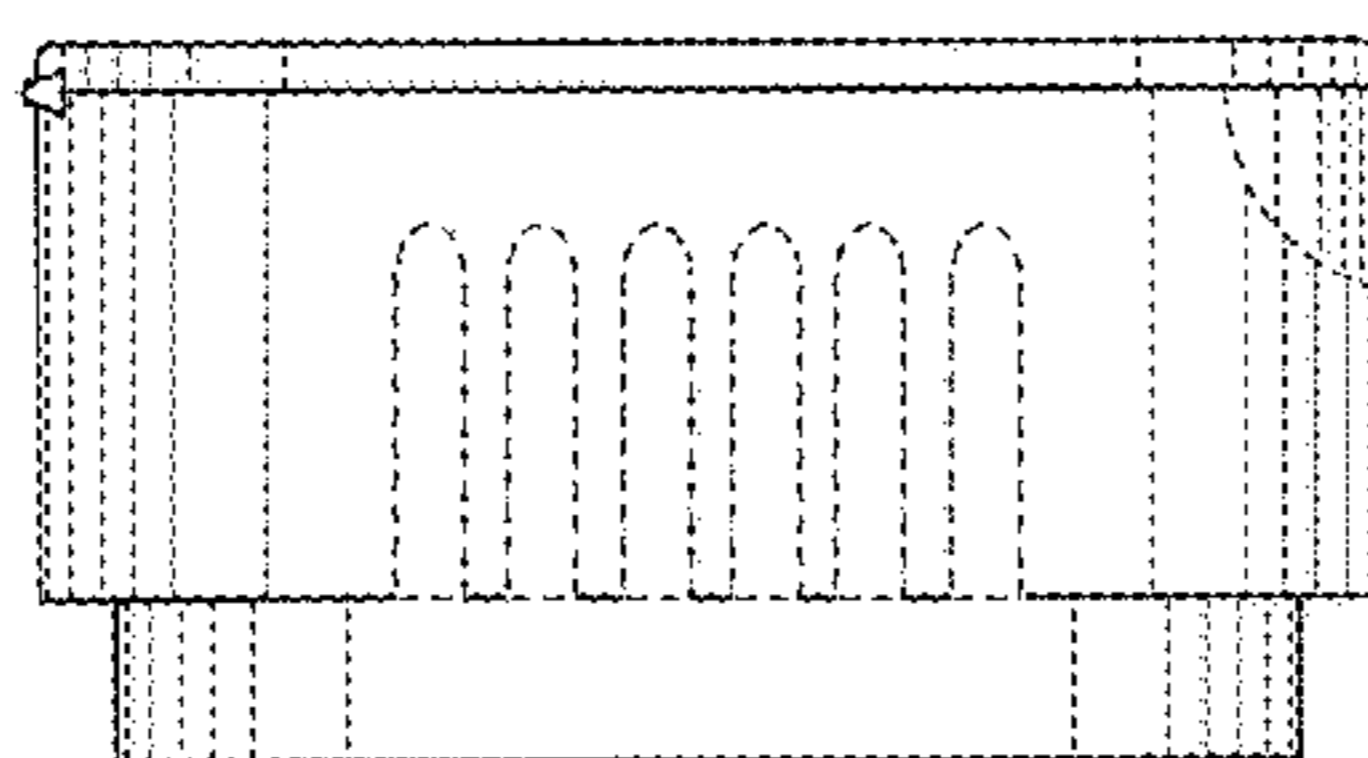


Fig. 13

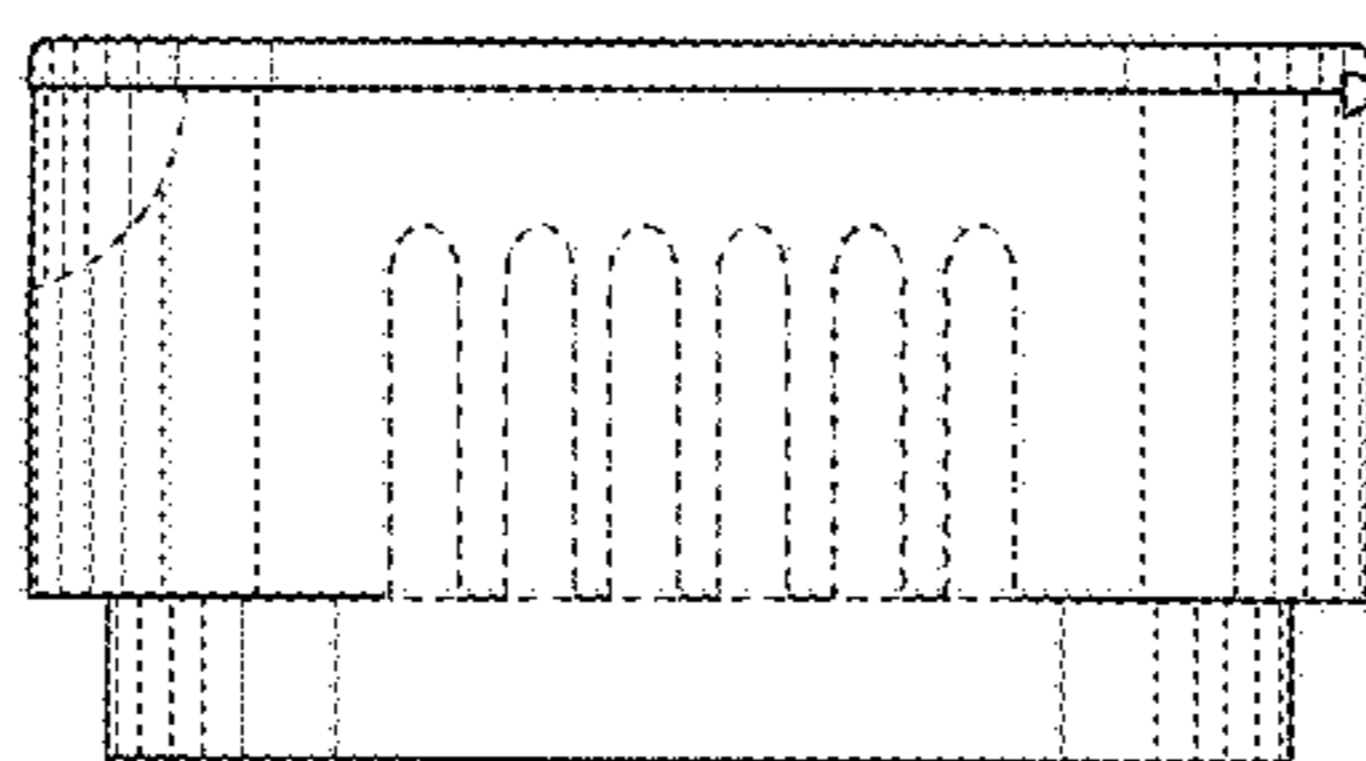


Fig. 14