



US00D867881S

(12) **United States Design Patent**
Yoto et al.

(10) **Patent No.:** **US D867,881 S**
(45) **Date of Patent:** **** Nov. 26, 2019**

(54) **PACKAGING CONTAINER**

FOREIGN PATENT DOCUMENTS

(71) Applicant: **HOSOKAWA YOKO CO., LTD.**,
Tokyo (JP)

JP D1064621 3/2000
JP D1130936 1/2002

(Continued)

(72) Inventors: **Akio Yoto**, Tokyo (JP); **Kazuyoshi Shirai**, Tokyo (JP)

OTHER PUBLICATIONS

(73) Assignee: **HOSOKAWA YOKO CO., LTD.**,
Tokyo (JP)

Love Pik. Cartoon Milk Container Milk Box Design Material. No date specified. <https://lovepik.com/image-400413526/cartoon-milk-container-milk-box-design-material.html> (Year: 0).*

(Continued)

(**) Term: **15 Years**

(21) Appl. No.: **29/623,883**

Primary Examiner — George D. Kirschbaum

Assistant Examiner — Darcey E Gottschalk

(22) Filed: **Oct. 27, 2017**

(74) *Attorney, Agent, or Firm* — Millen White Zelano and Branigan, PC

(30) **Foreign Application Priority Data**

Apr. 27, 2017 (JP) 2017-009373

(51) **LOC (12) Cl.** **09-07**

(52) **U.S. Cl.**
USPC **D9/443; D9/434**

(58) **Field of Classification Search**
USPC D3/201, 202, 203.1, 203.2, 203.3, 204;
D9/414–419, 421–425, 427–436, 443,
D9/444, 447, 455–457, 499, 305, 306,
D9/337, 440, 707–709, 714; D34/39
CPC B65D 31/10; B65D 75/008
See application file for complete search history.

(57) **CLAIM**

The ornamental design for a packaging container, as shown and described.

DESCRIPTION

FIG. 1 is a front view of a packaging container showing our new design;
FIG. 2 is a rear view thereof;
FIG. 3 is a right side view thereof; the left side view is a mirror image of the right side view;
FIG. 4 is a top plan view thereof;
FIG. 5 is a bottom plan view thereof;
FIG. 6 is a perspective view thereof;
FIG. 7 is an enlarged fragmentary view thereof, taken along line 7-7 shown in FIG. 1;
FIG. 8 is a cross-sectional view taken along line 8-8 shown in FIG. 4; and,
FIG. 9 is a perspective view thereof showing the packaging container in use.
In the drawings, the broken lines show portions of a packaging container that form no part of the claim.

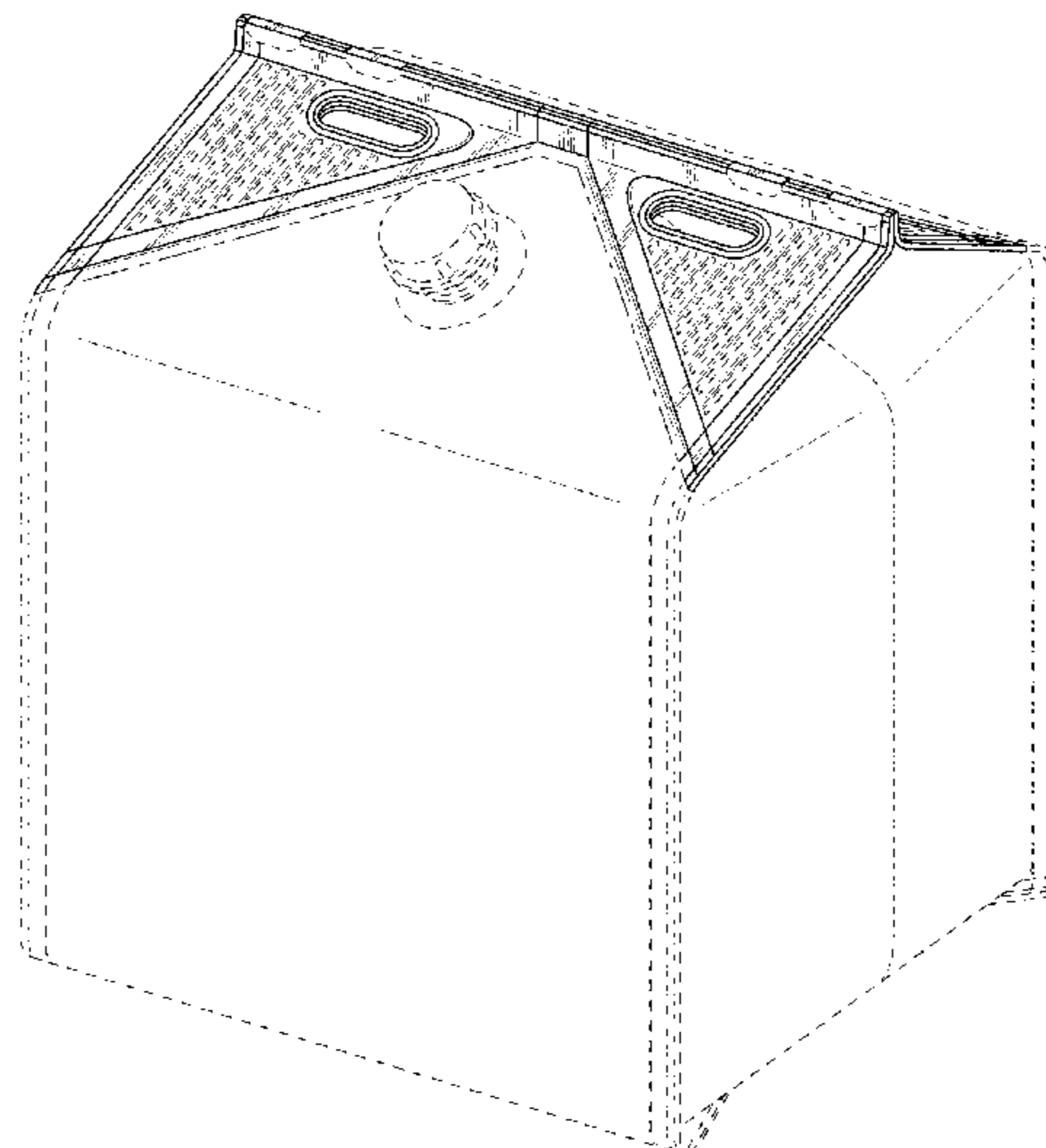
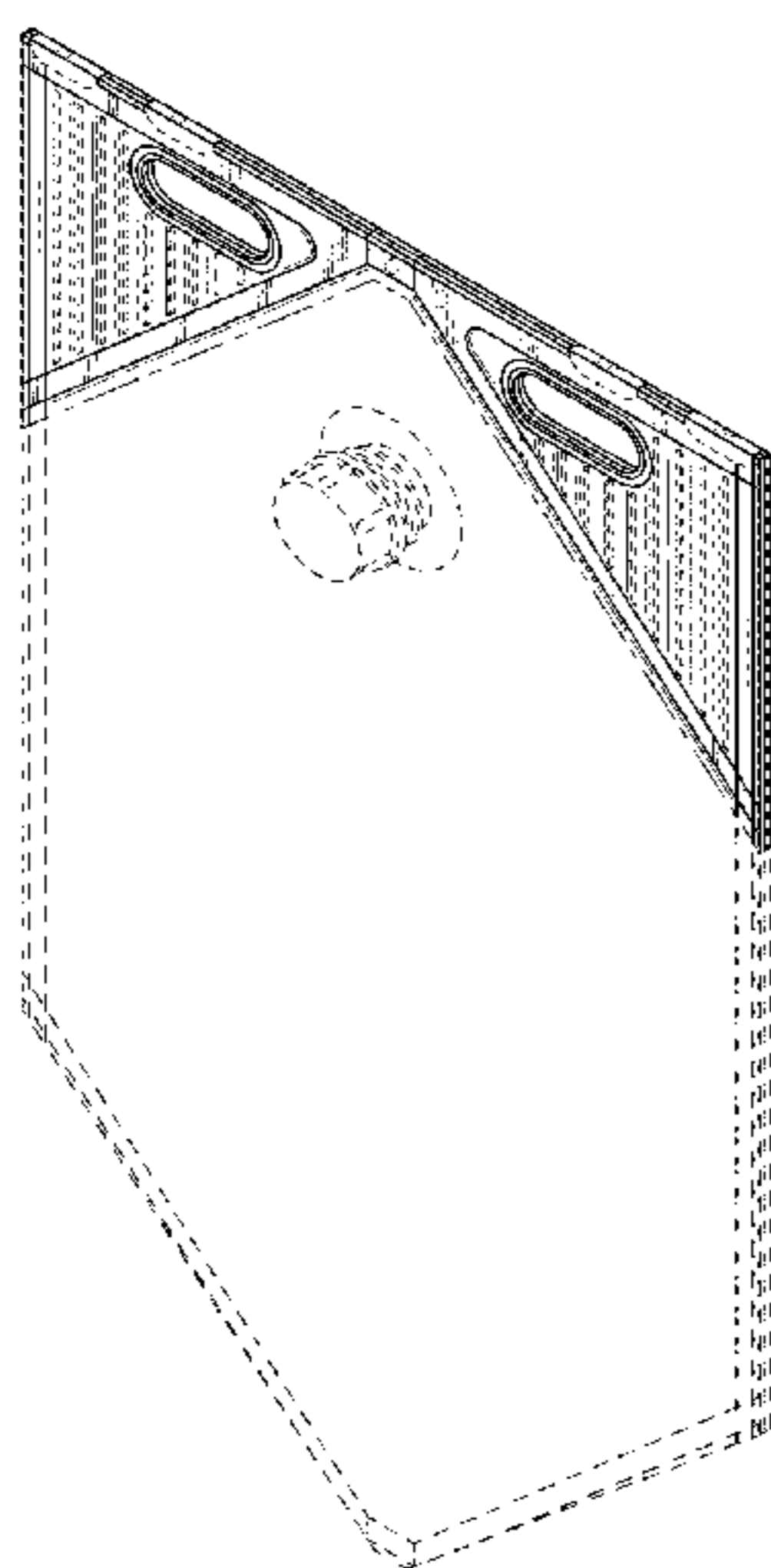
(56) **References Cited**

U.S. PATENT DOCUMENTS

D278,974 S *	5/1985	Ray	D9/434
D458,121 S *	6/2002	Ichikawa	D9/709
D527,629 S *	9/2006	Franic	D9/431
D532,702 S *	11/2006	Berman	D9/708
D550,570 S *	9/2007	Berman	D9/708
D601,417 S *	10/2009	Berman	D9/431
D609,112 S *	2/2010	Koyanagi	D9/708

(Continued)

1 Claim, 7 Drawing Sheets



(56)

References Cited

U.S. PATENT DOCUMENTS

D614,951	S *	5/2010	Daniels	D9/431
D658,075	S *	4/2012	Umenaka	D9/708
D717,644	S *	11/2014	Franic	D9/431
D727,724	S *	4/2015	Pipes	A24F 23/00 D9/428
D730,172	S *	5/2015	Asai	D9/417
D790,846	S *	7/2017	Clores	D3/202
D799,983	S *	10/2017	Haughton	D9/707
D823,695	S *	7/2018	Totani	D9/707
D832,695	S *	11/2018	Barczak	D9/416
D833,299	S *	11/2018	Han	D9/707
10,167,134	B2 *	1/2019	Zeitlin	A24F 15/20
2017/0008675	A1 *	1/2017	Umenaka	B65D 75/008

FOREIGN PATENT DOCUMENTS

JP	D1146501	7/2002
JP	D1166365	3/2003
JP	D1175642	6/2003
JP	D1176339	6/2003
JP	D1176340	6/2003
JP	D1303319	6/2007
JP	D1416360	6/2011
JP	D1552631	6/2016

OTHER PUBLICATIONS

Machine Translation of JP D1064621—Publication Date: Mar. 21, 2000, Hosokawa Yoko Co., Ltd.
 Machine Translation of JP D1130936—Publication Date: Jan. 15, 2002—Fujimori Kogyo Co. Ltd.
 Machine Translation of JP D1146501—Publication Date: Jul. 8, 2002—Fujimori Kogyo Co. Ltd.
 Machine Translation of JP D1166365—Publication Date: Mar. 4, 2003—Fujimori Kogyo Co. Ltd.
 Machine Translation of JP D1175642—Publication Date: Jun. 16, 2003—Fujimori Kogyo Co. Ltd.
 Machine Translation of JP D1176339—Publication Date: Jun. 16, 2003—Fujimori Kogyo Co. Ltd.
 Machine Translation of JP D1176340—Publication Date: Jun. 16, 2003—Fujimori Kogyo Co. Ltd.
 Machine Translation of JP D1303319—Publication Date: Jun. 11, 2007—Meiwa Pax Co., Ltd.
 Machine Translation of JP D1416360—Publication Date: Jun. 13, 2011—Fujimori Kogyo Co. Ltd.
 Machine Translation of JP D1552631—Publication Date: Jun. 27, 2016—Toppan Printing Co. Ltd.

* cited by examiner

FIG. 1

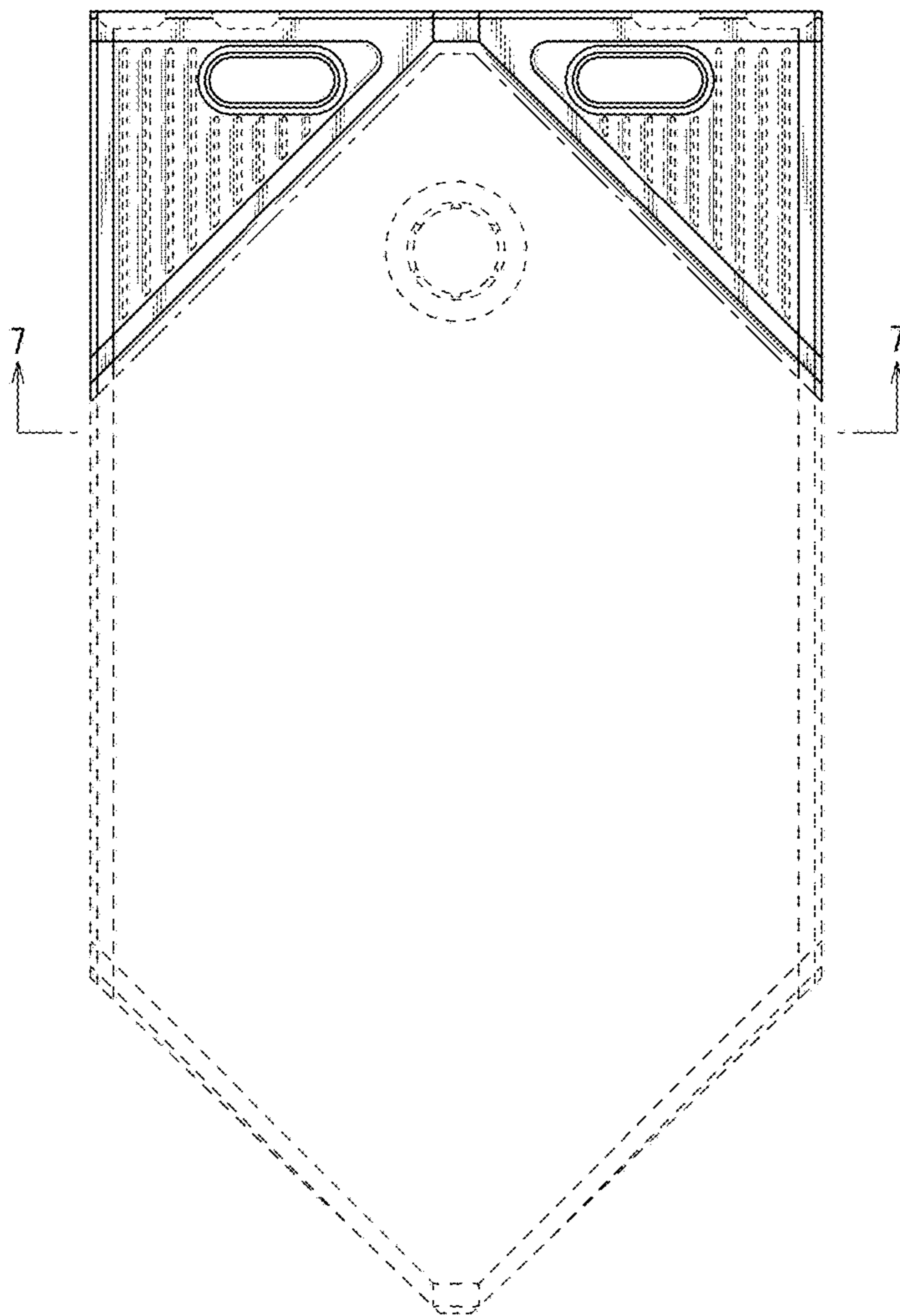


FIG. 2

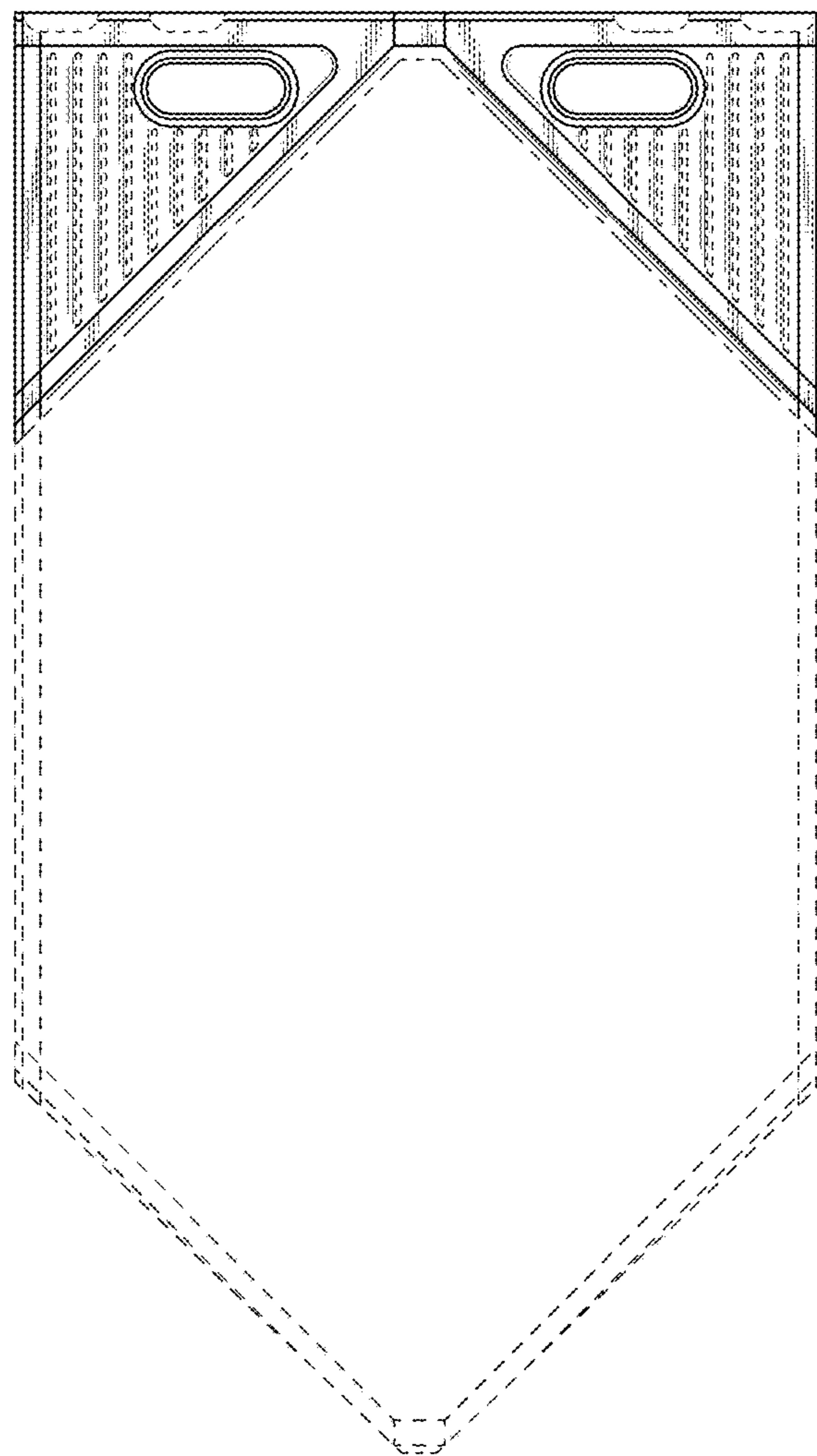


FIG. 3

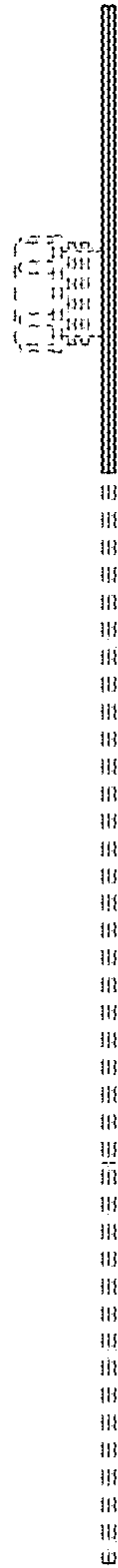


FIG. 4

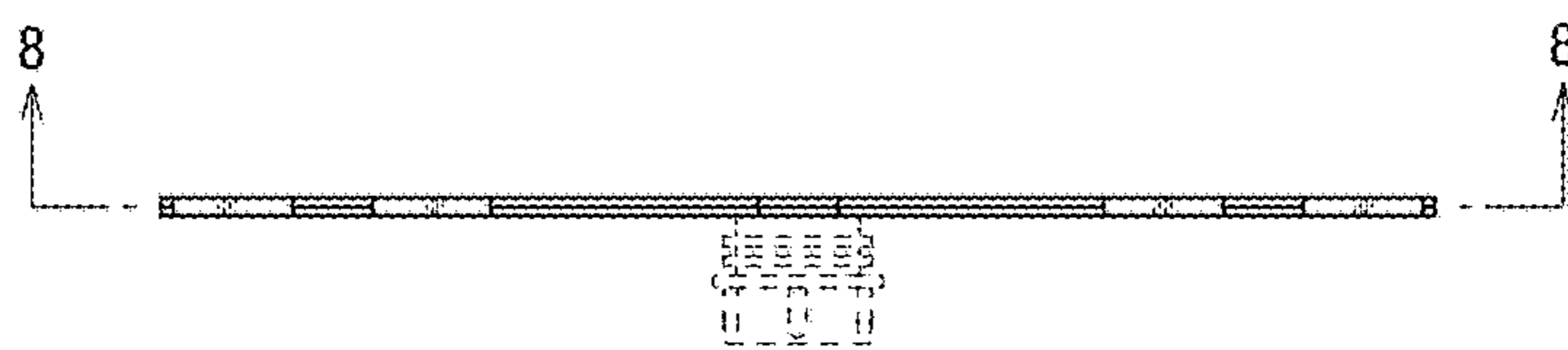


FIG. 5

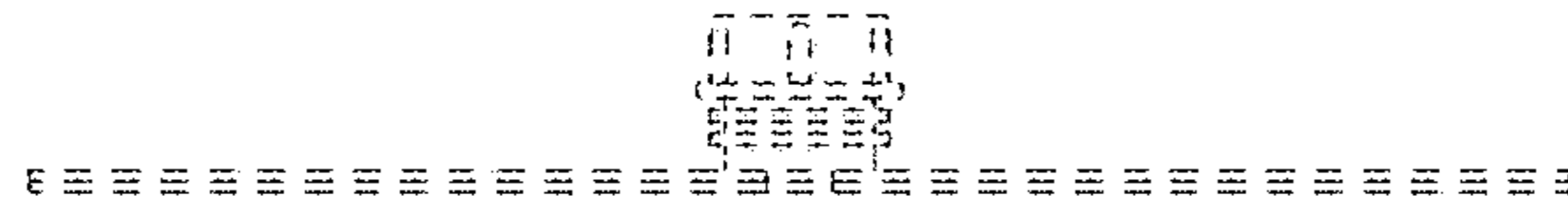


FIG. 6

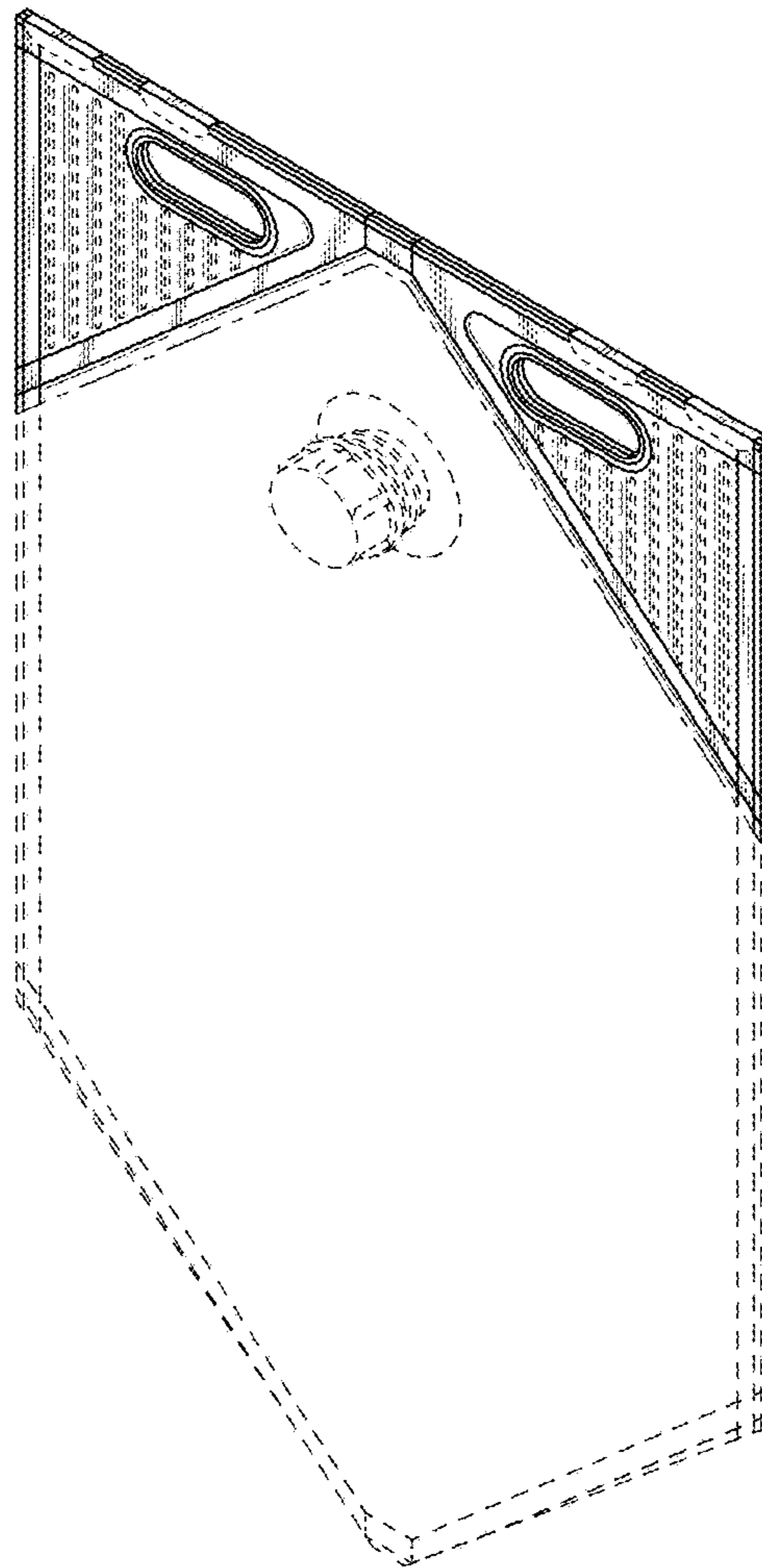


FIG. 7

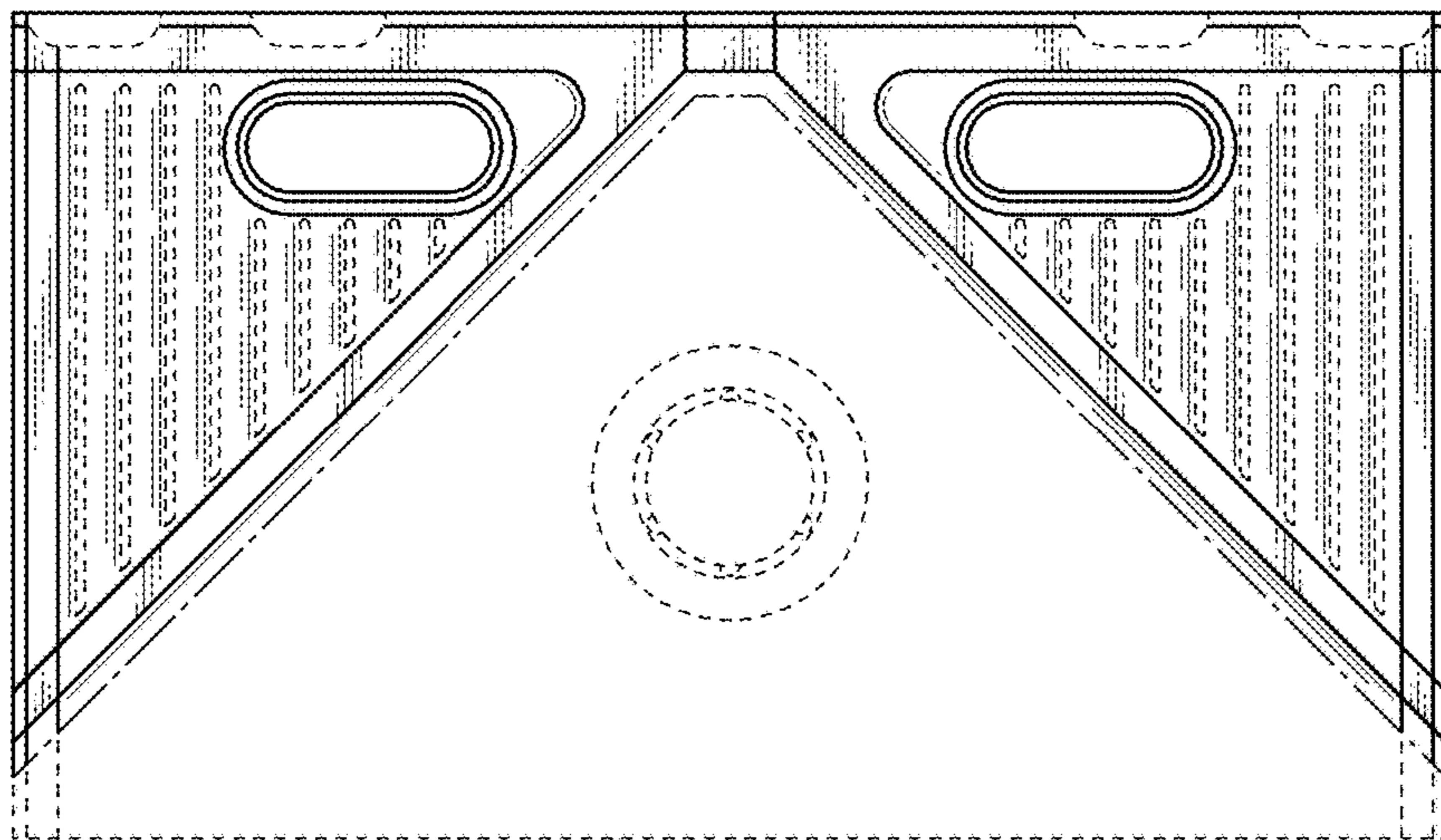


FIG. 8

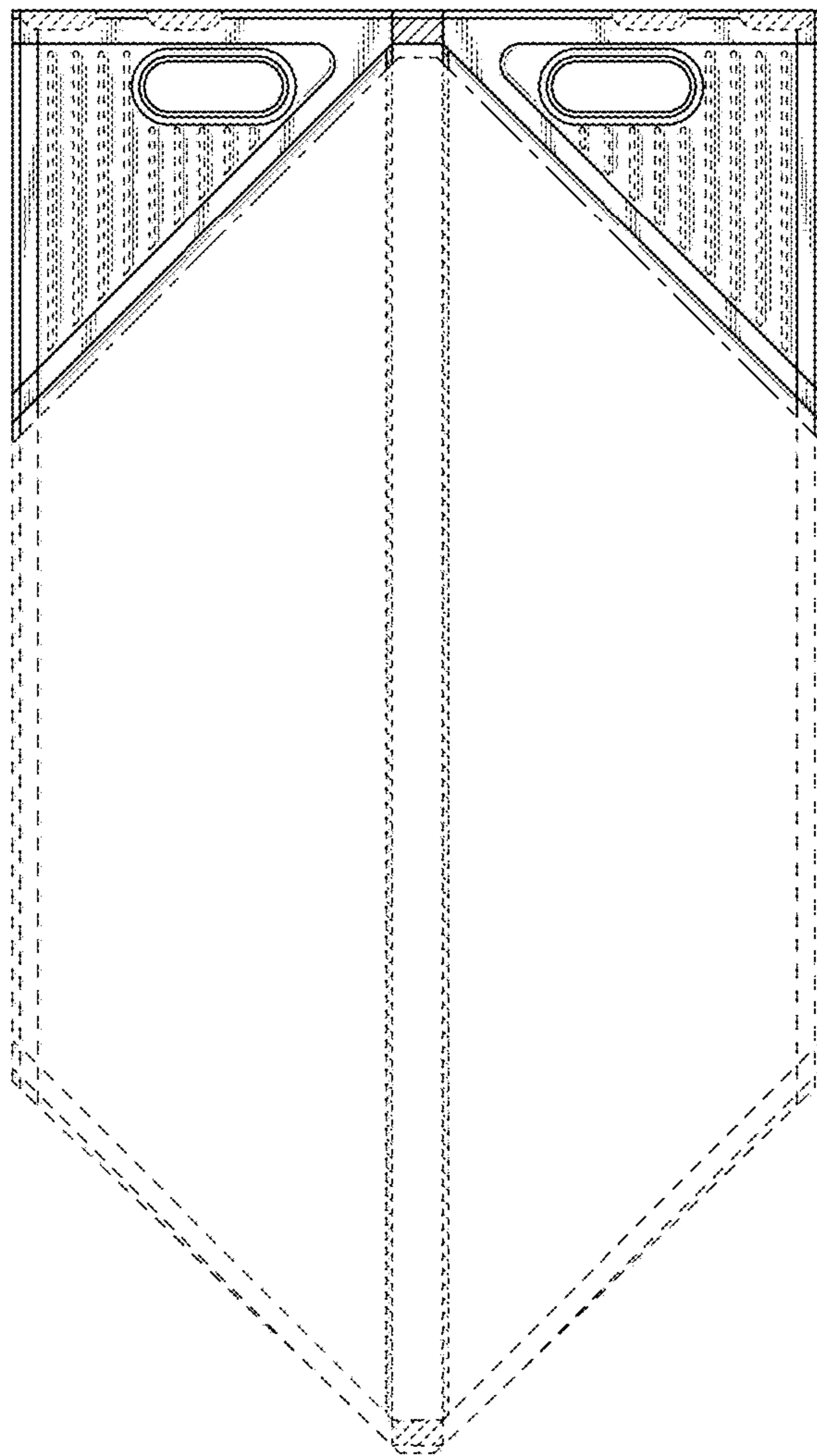


FIG. 9

