

US00D867880S

(12) **United States Design Patent** (10) **Patent No.:** **US D867,880 S**  
**Sacchetti** (45) **Date of Patent:** **\*\* \*Nov. 26, 2019**

- (54) **DRIP CHAMBER CAP**
- (71) Applicant: **ALCOR Scientific, Inc.**, Smithfield, RI (US)
- (72) Inventor: **Peter Sacchetti**, Attleboro, MA (US)
- (73) Assignee: **ALCOR Scientific, Inc.**, Smithfield, RI (US)
- (\*) Notice: This patent is subject to a terminal disclaimer.
- (\*\*) Term: **15 Years**
- (21) Appl. No.: **29/625,453**
- (22) Filed: **Nov. 9, 2017**
- (51) **LOC (12) Cl.** ..... **09-07**
- (52) **U.S. Cl.**  
USPC ..... **D9/440**; D9/439; D24/112
- (58) **Field of Classification Search**  
USPC ..... D7/392, 392.1, 396.1, 396.2, 397, 398;  
D9/434-436, 439, 443, 447, 449, 454,  
D9/499, 440; D24/108, 112, 121, 123,  
D24/127, 130, 207, 230  
CPC ..... B65D 47/06; B65D 39/00; B65D 39/08;  
B65D 39/12; B65D 39/02  
See application file for complete search history.

(56) **References Cited**

U.S. PATENT DOCUMENTS

D33,101 S *	8/1900	Corcoran	.....	D9/440
D34,955 S *	8/1901	Thatcher	.....	D9/439
D160,485 S *	10/1950	Detzel	.....	D9/439
D235,343 S *	6/1975	Otto	.....	D23/262
D297,046 S *	8/1988	Dignam	.....	D24/112
D355,119 S *	2/1995	Zimmermann	.....	D9/440
D359,683 S *	6/1995	Beach	.....	D9/434
D453,472 S *	2/2002	Kwong	.....	D9/447
D484,801 S *	1/2004	Pierce	.....	D9/440
D501,359 S *	2/2005	Bodum	.....	D7/392

D551,075 S *	9/2007	Puller	.....	D9/447
D688,127 S *	8/2013	Agassi	.....	D9/440
D690,596 S *	10/2013	Logue	.....	D9/447
D695,114 S *	12/2013	McDonald	.....	D9/440
D708,945 S *	7/2014	Jetmar	.....	D9/439
D732,664 S *	6/2015	Woehr	.....	D24/130
D739,006 S *	9/2015	Tominaga	.....	D24/108
D748,476 S *	2/2016	Lakstins	.....	D9/447
D768,489 S *	10/2016	Indruk	.....	D9/447
D818,360 S *	5/2018	Oates, II	.....	D9/435
D828,752 S *	9/2018	Ploeger	.....	D9/435
D844,236 S *	3/2019	Tidnam	.....	D27/169

\* cited by examiner

*Primary Examiner* — George D. Kirschbaum  
*Assistant Examiner* — Darcey E Gottschalk  
(74) *Attorney, Agent, or Firm* — Adler Pollock & Sheehan P.C

(57) **CLAIM**

The ornamental design for a drip chamber cap, as shown and described.

**DESCRIPTION**

The patent or application contains at least one drawings executed in color photograph. Copies of this patent or patent application publication with color photograph(s) will be provided by the Office upon request and payment of the necessary fee.

FIG. 1 is a top perspective view of a drip chamber cap in accordance with the subject disclosure.

FIG. 2 is a front view thereof.

FIG. 3 is a back view thereof.

FIG. 4 is a right side view thereof.

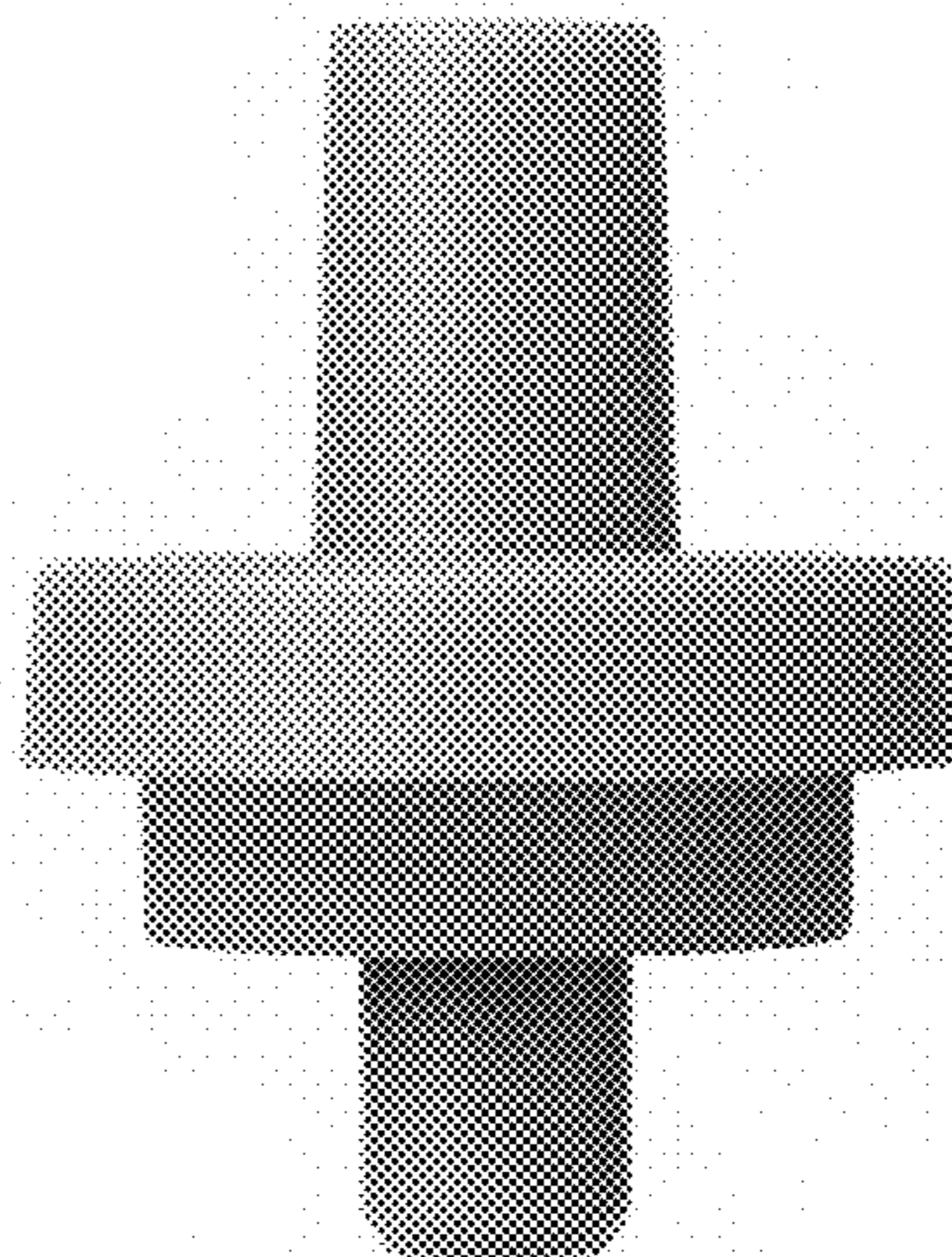
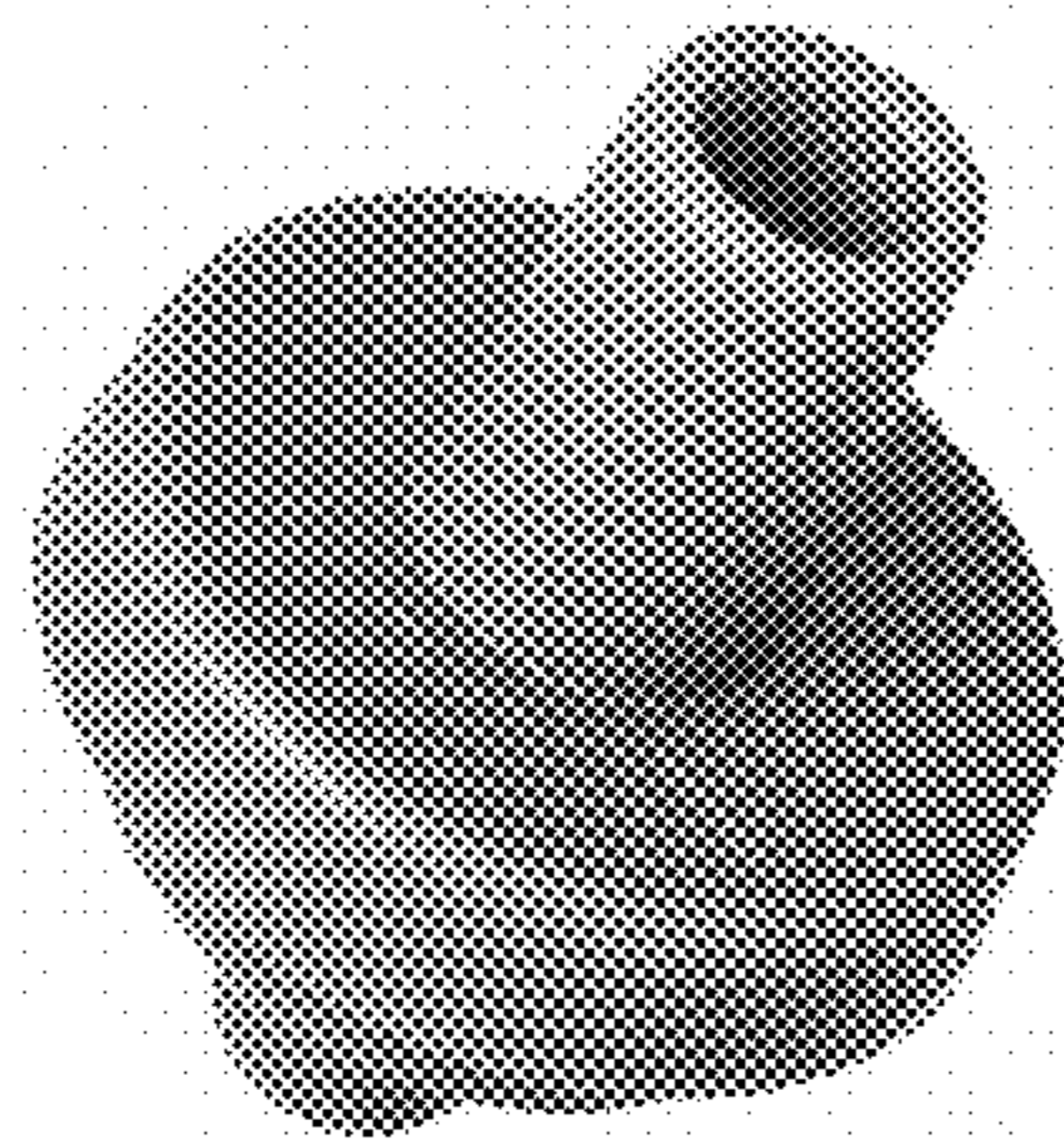
FIG. 5 is a left side view thereof.

FIG. 6 is a top view thereof; and,

FIG. 7 is a bottom view thereof.

In the drawings, the broken lines show portions of a drip chamber cap that form no part of the claim.

**1 Claim, 7 Drawing Sheets**  
**(7 of 7 Drawing Sheet(s) Filed in Color)**



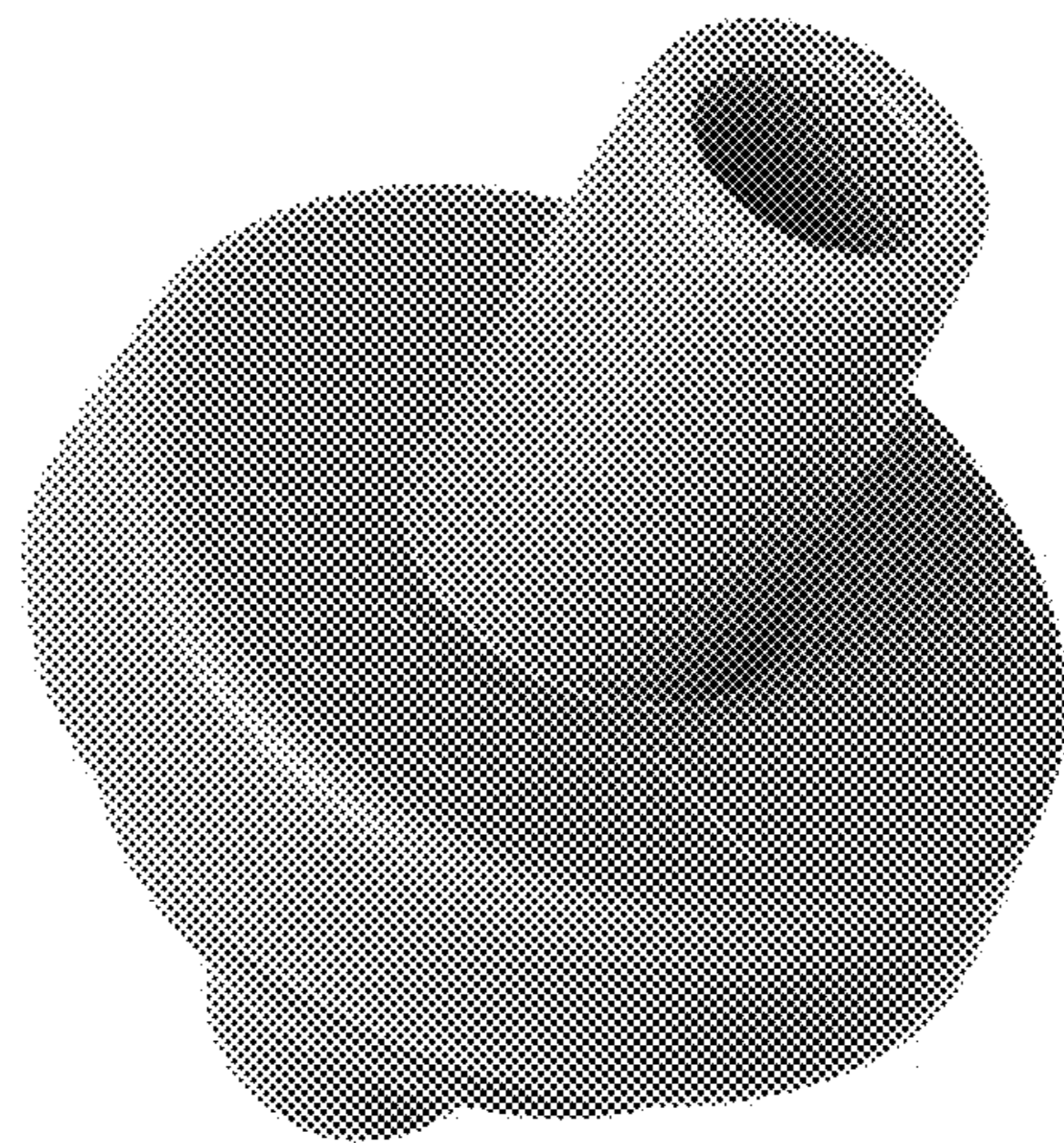


FIG. 1

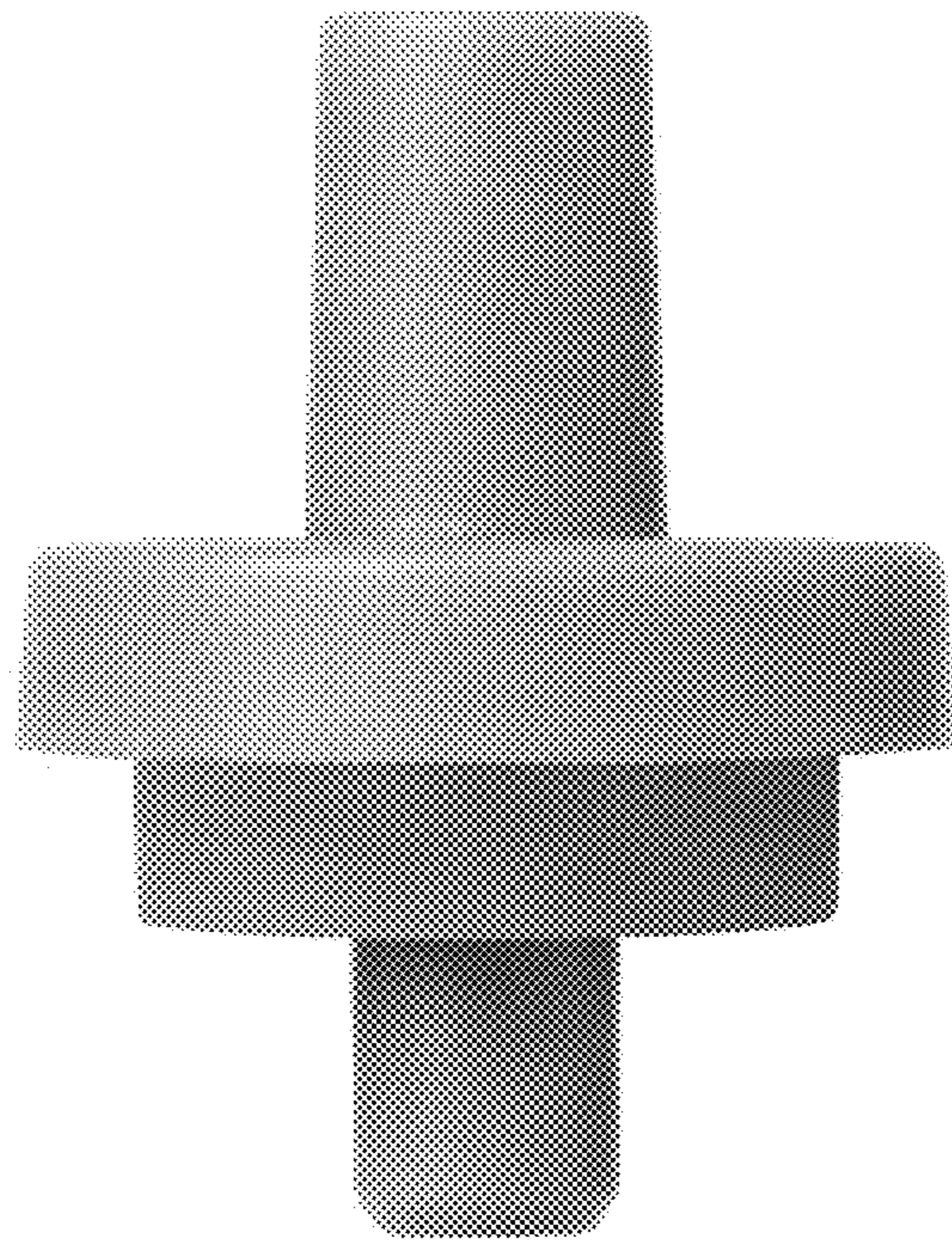


FIG. 2



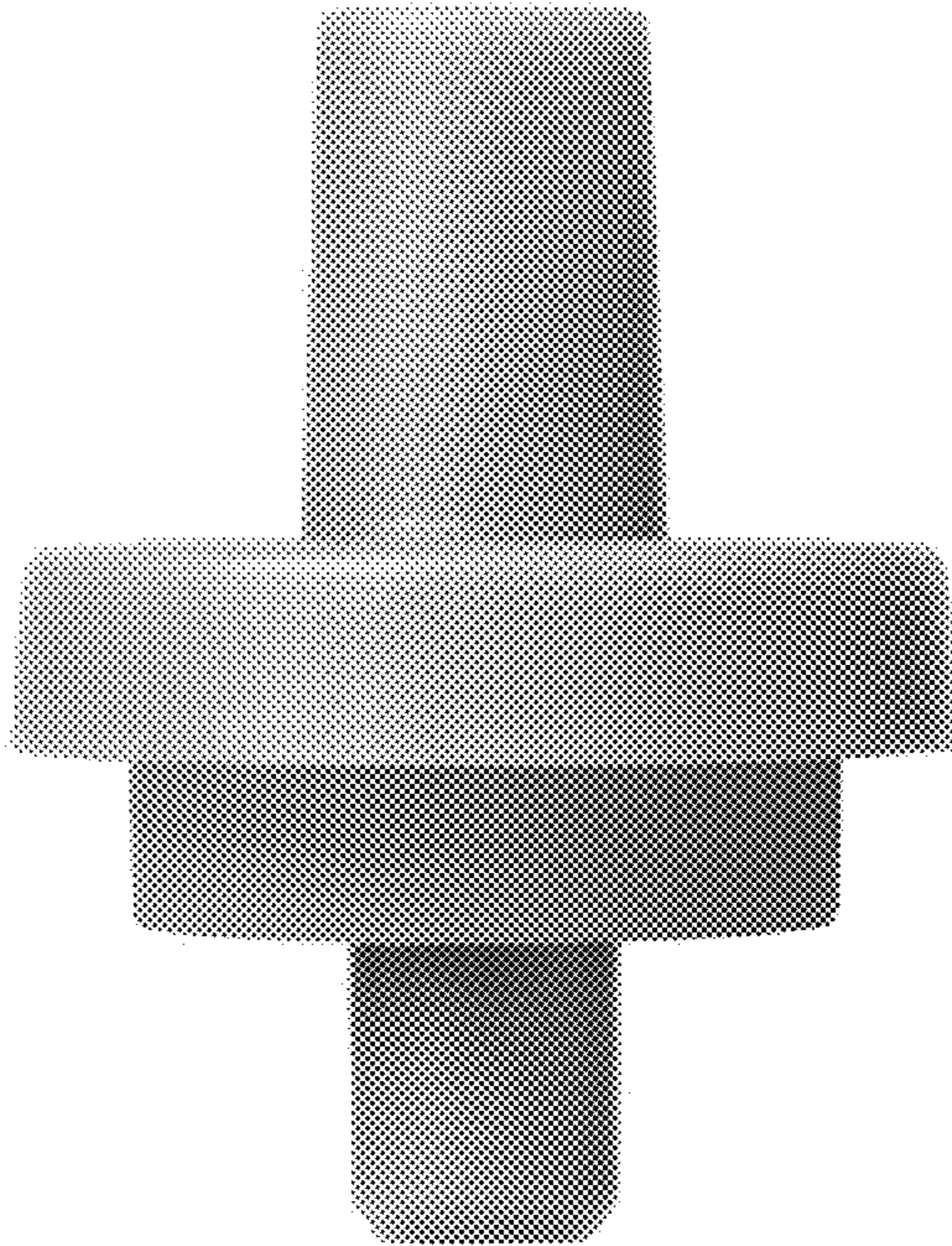


FIG. 3

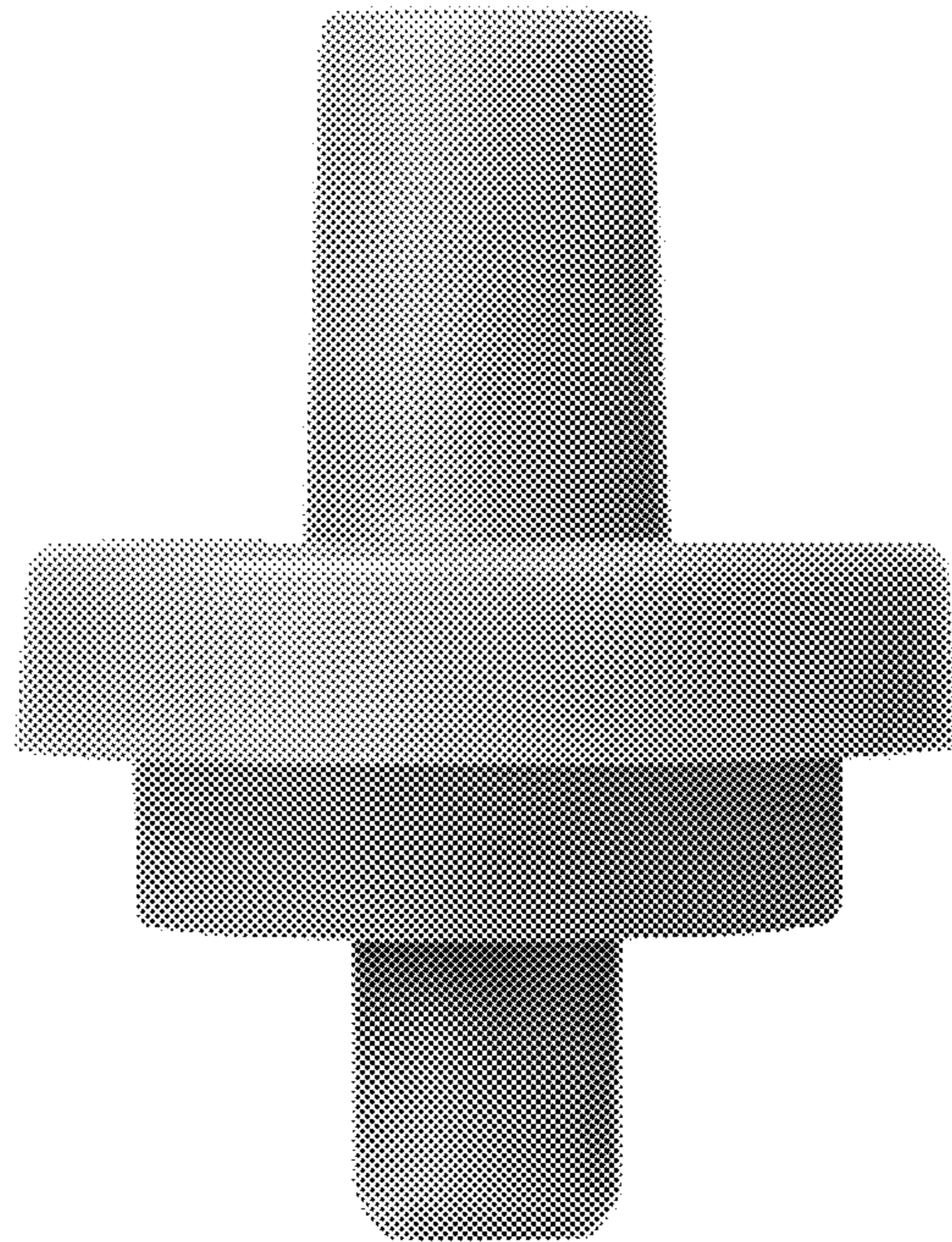


FIG. 4

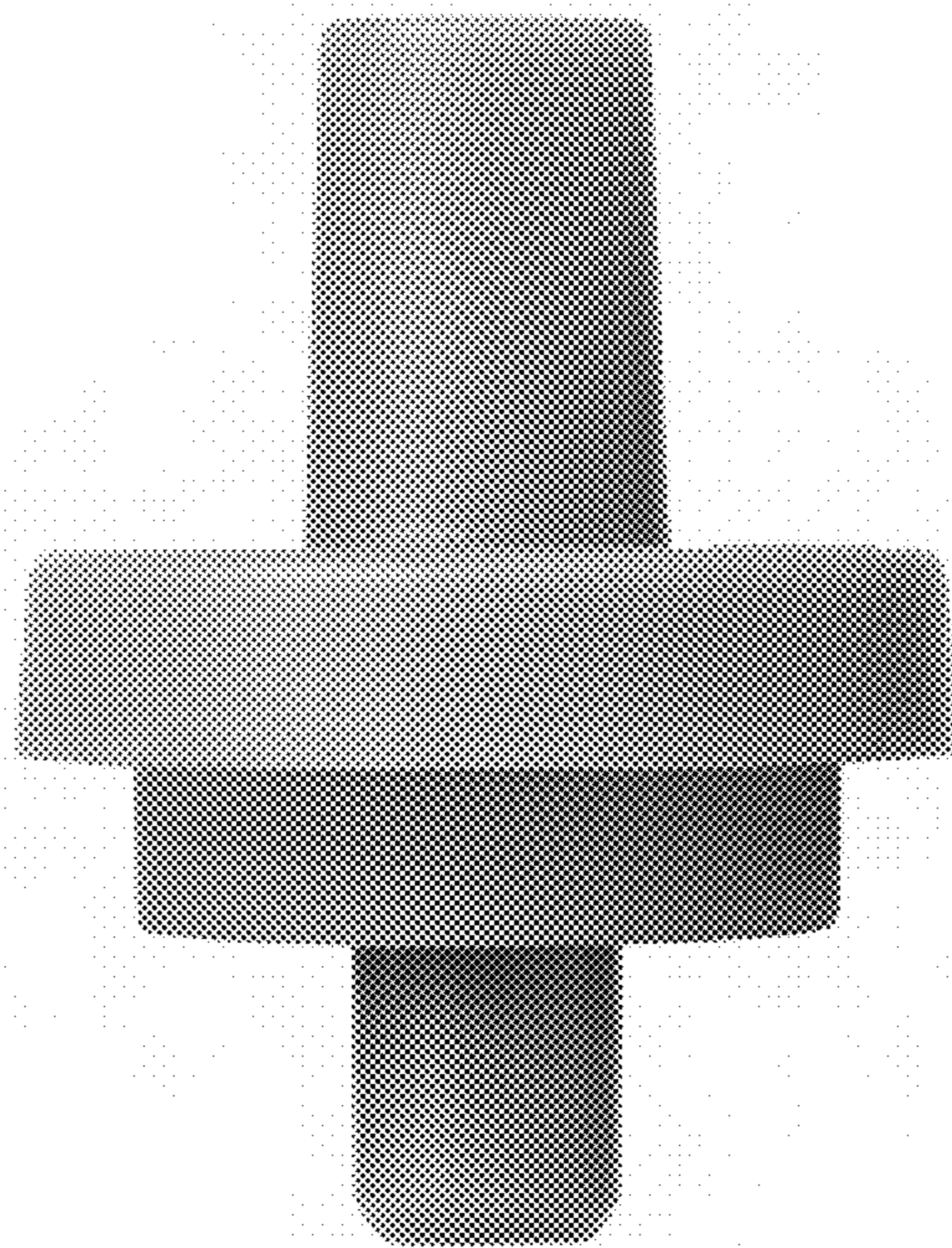


FIG. 5

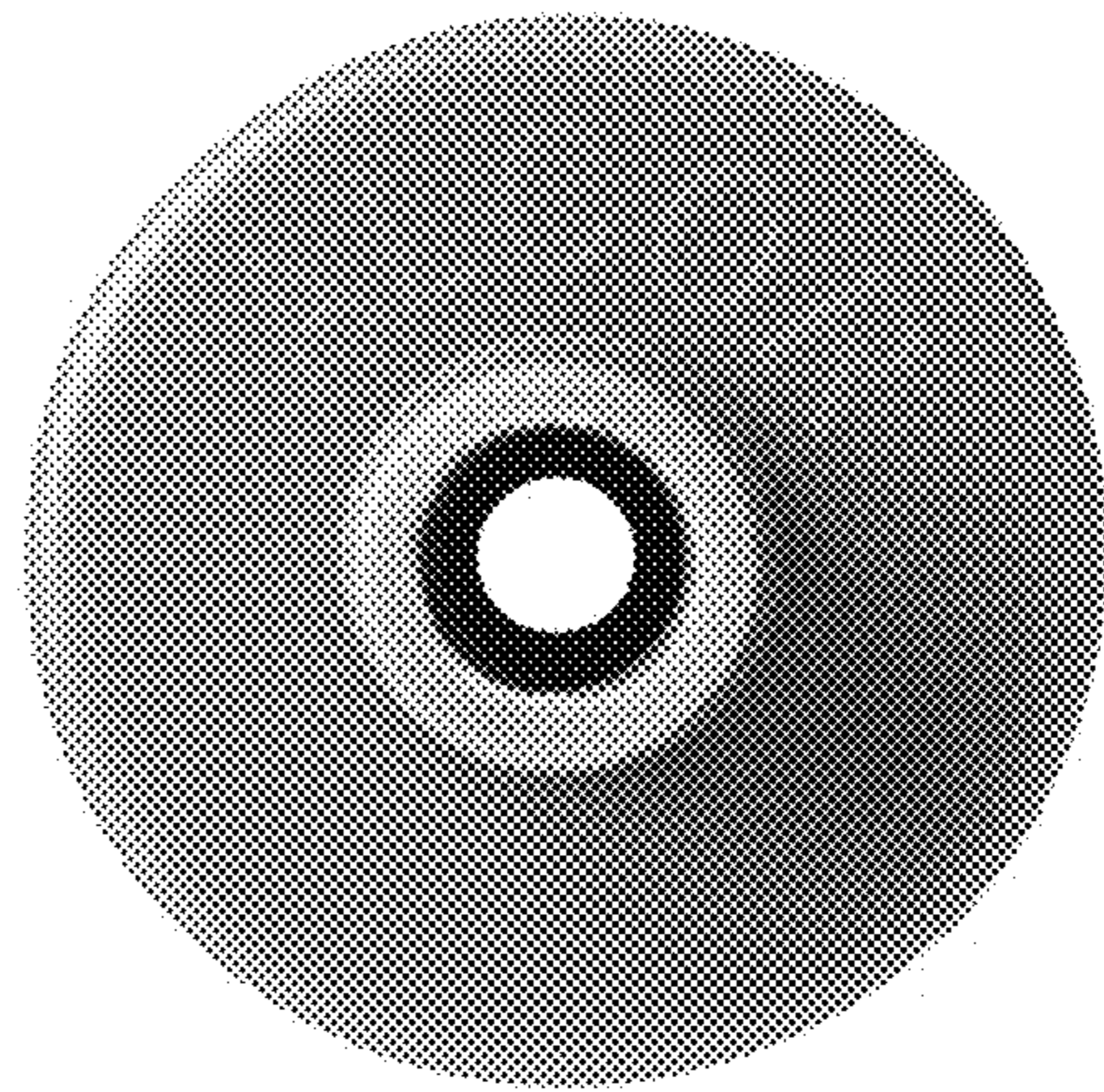


FIG. 6

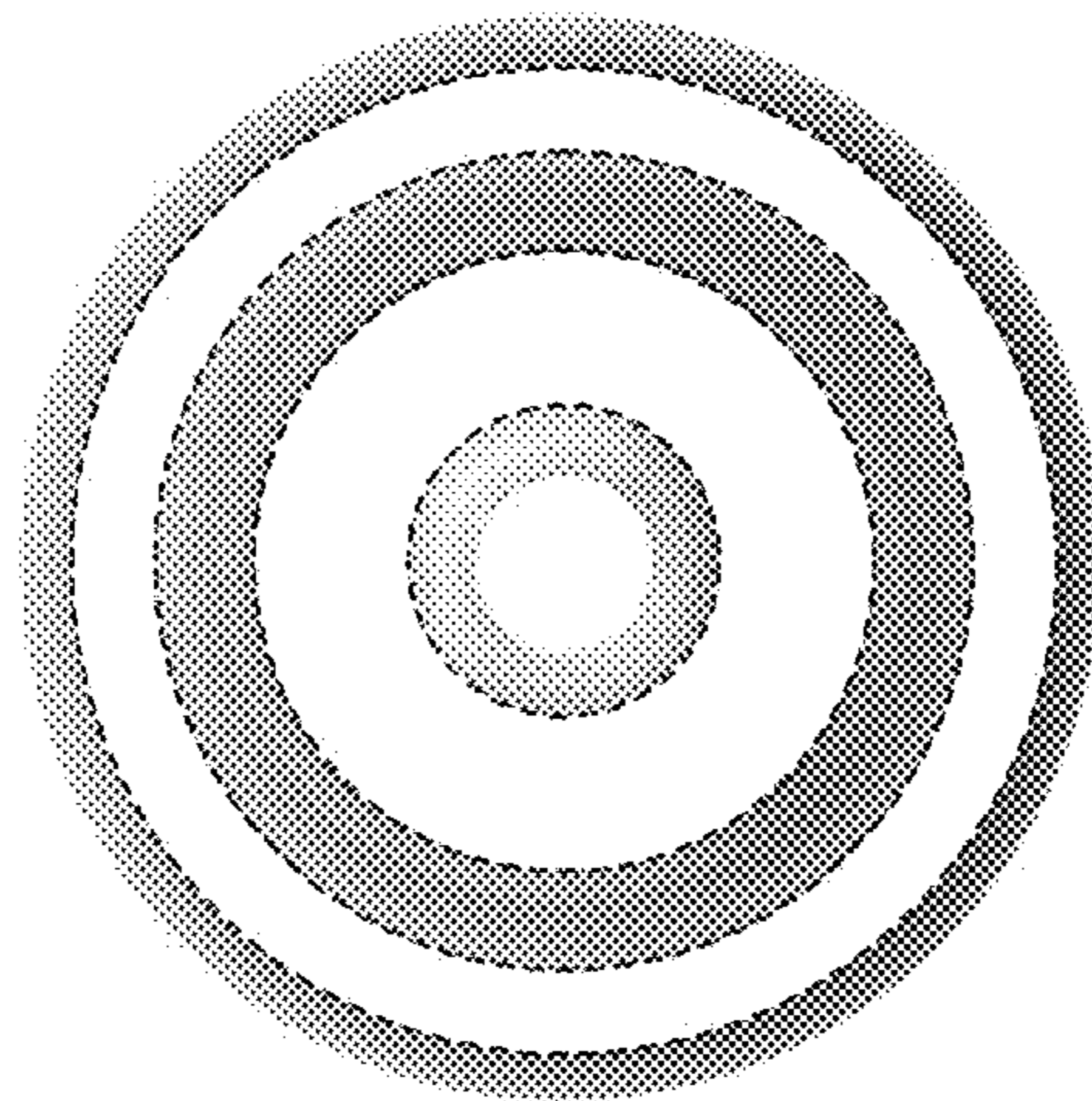


FIG. 7