



US00D867875S

(12) **United States Design Patent**
Greenfeld

(10) **Patent No.:** **US D867,875 S**

(45) **Date of Patent:** **** Nov. 26, 2019**

(54) **BOX**

(71) Applicant: **Mutty Greenfeld**, Brooklyn, NY (US)

(72) Inventor: **Mutty Greenfeld**, Brooklyn, NY (US)

(**) Term: **15 Years**

(21) Appl. No.: **29/603,539**

(22) Filed: **May 10, 2017**

(51) **LOC (12) Cl.** **09-03**

(52) **U.S. Cl.**

USPC **D9/432**; D9/433

(58) **Field of Classification Search**

USPC D9/414-434, 442-445, 456, 457, 542,
D9/563, 600, 614-624, 648, 655, 657,
D9/658, 661, 685, 696, 697-699, 707,
D9/711, 754, 759, 772-776; D7/601,
D7/602, 709; D3/273, 276, 304, 309-313

CPC B65D 5/00; B65D 5/001; B65D 5/0015;
B65D 5/0227-0254; B65D 5/18; B65D
5/38; B65D 5/40; B65D 5/2033; B65D
5/48024; B65D 5/6605; B65D 1/22;
B65D 1/24; B65D 1/34; B65B 5/06

See application file for complete search history.

(56) **References Cited**

U.S. PATENT DOCUMENTS

1,702,945	A	*	2/1929	Meisner	B65D 5/00
						229/104
D140,403	S	*	2/1945	Wise	D3/312
D200,669	S	*	3/1965	Swane	D3/272
D231,771	S	*	6/1974	Gary	D3/312
D361,892	S	*	9/1995	Quaintance	D3/305
D384,885	S	*	10/1997	Halsell, II	D3/312
D406,463	S	*	3/1999	Rutledge	D3/302
D442,779	S	*	5/2001	Koefeldt	D3/273
D481,266	S	*	10/2003	Schilhab	D3/312
D608,634	S	*	1/2010	Riedi	D9/432

D705,054	S	*	5/2014	McCarthy	D9/432
8,985,431	B2	*	3/2015	Smith	B65D 5/42
						229/109
D744,332	S	*	12/2015	D'Anglade	D9/418
D749,944	S	*	2/2016	Kummerfeldt	D9/432
D770,771	S	*	11/2016	Lisso	D3/304

(Continued)

Primary Examiner — Susan Bennett Hattan

Assistant Examiner — Omeed Agilee

(74) *Attorney, Agent, or Firm* — Vincent G. LoTempio;
Kloss, Stenger & LoTempio; David T. Stephenson

(57) **CLAIM**

The ornamental design for a box, as shown and described.

DESCRIPTION

FIG. 1 is a front perspective view of the box showing my new design;

FIG. 2 is a top perspective view of an assembled configuration thereof;

FIG. 3 is a front view of an assembled configuration thereof;

FIG. 4 is a back view of an assembled configuration thereof;

FIG. 5 is a right side view of an assembled configuration thereof;

FIG. 6 is a left side view of an assembled configuration thereof;

FIG. 7 is a top view of an assembled configuration thereof;

FIG. 8 is a bottom view of an assembled configuration thereof;

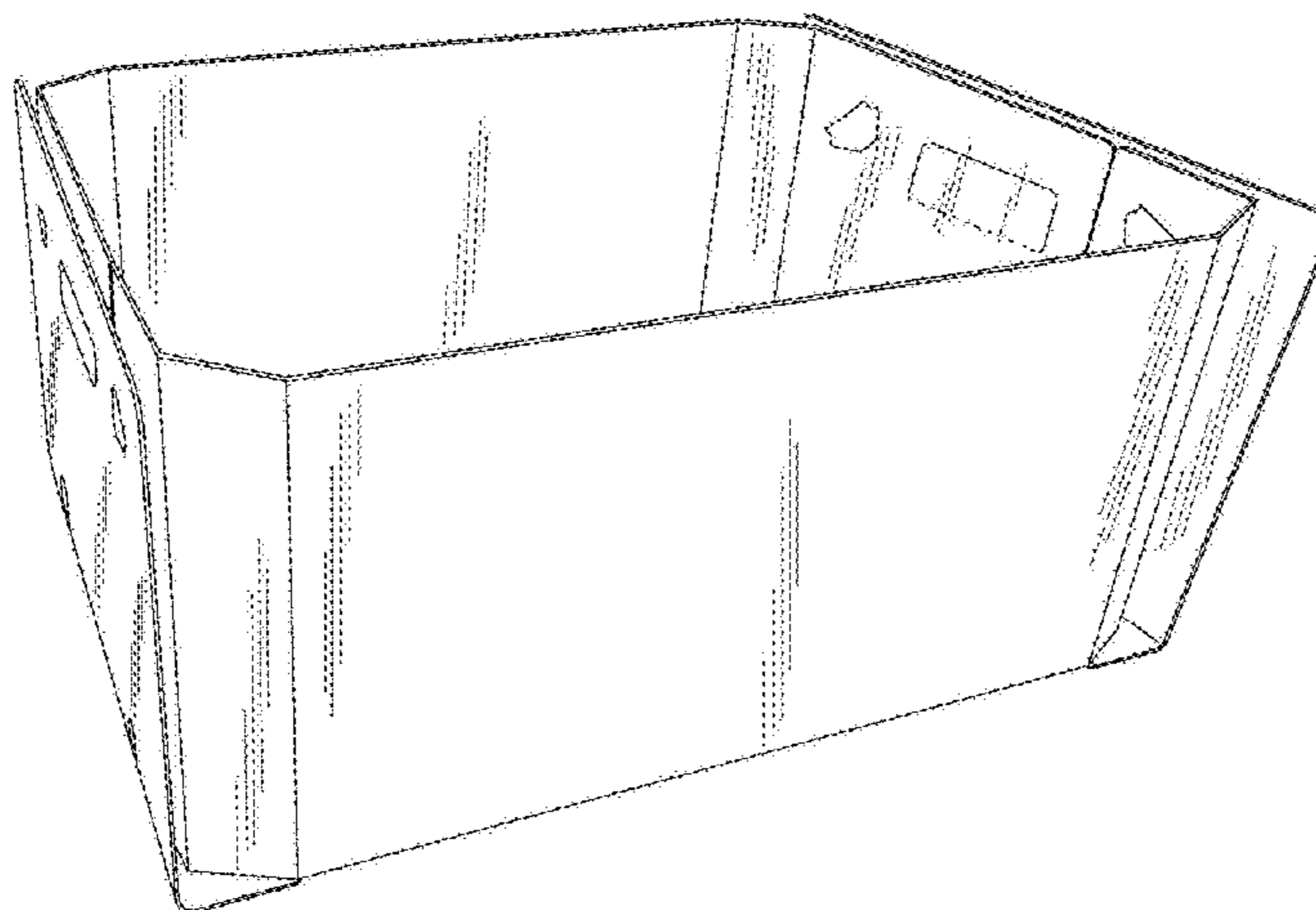
FIG. 9 is a top perspective view of the box of FIG. 1 in a partially assembled configuration thereof;

FIG. 10 is a perspective view of the box of FIG. 1 in a partially assembled configuration thereof; and,

FIG. 11 is a top view of the box of FIG. 1 in an unassembled configuration.

The broken lines in the drawings depict fold lines and form no part of the claimed design.

1 Claim, 9 Drawing Sheets



(56)

References Cited

U.S. PATENT DOCUMENTS

D805,894 S * 12/2017 Lee D9/431
D814,926 S * 4/2018 Greenfeld D9/430
2002/0148883 A1* 10/2002 Timbrook B65D 77/32
229/109
2005/0040216 A1* 2/2005 Quaintance B65D 5/002
229/110
2009/0280973 A1* 11/2009 Graham B65D 5/003
493/127
2011/0204127 A1* 8/2011 Brundage B65D 5/001
229/5.5
2011/0281705 A1* 11/2011 Aganovic B65D 5/003
493/89
2013/0186948 A1* 7/2013 Hermosillo B65D 5/003
229/109
2015/0266609 A1* 9/2015 Lefebvre B65D 5/2033
229/109

* cited by examiner

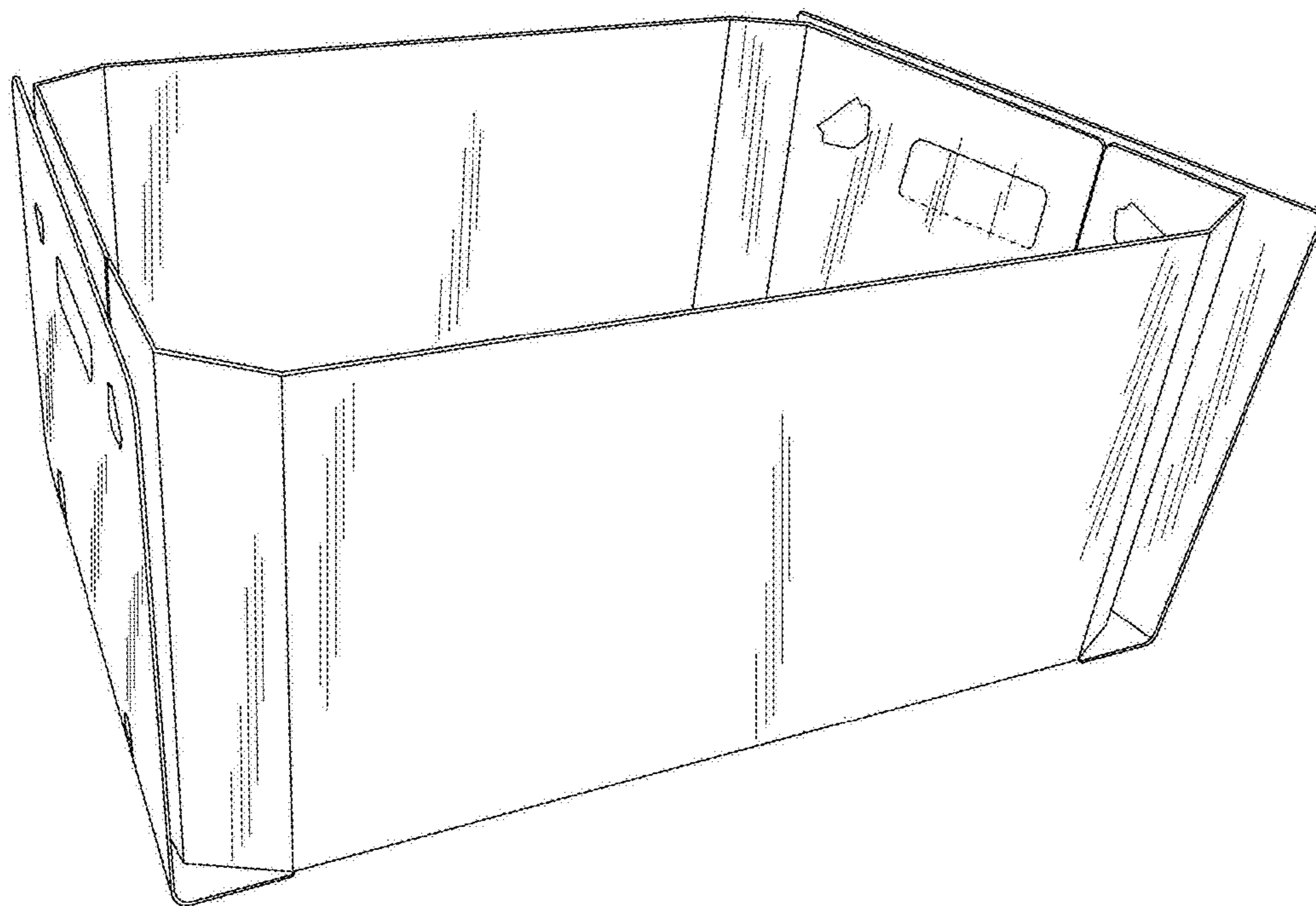


FIG. 1

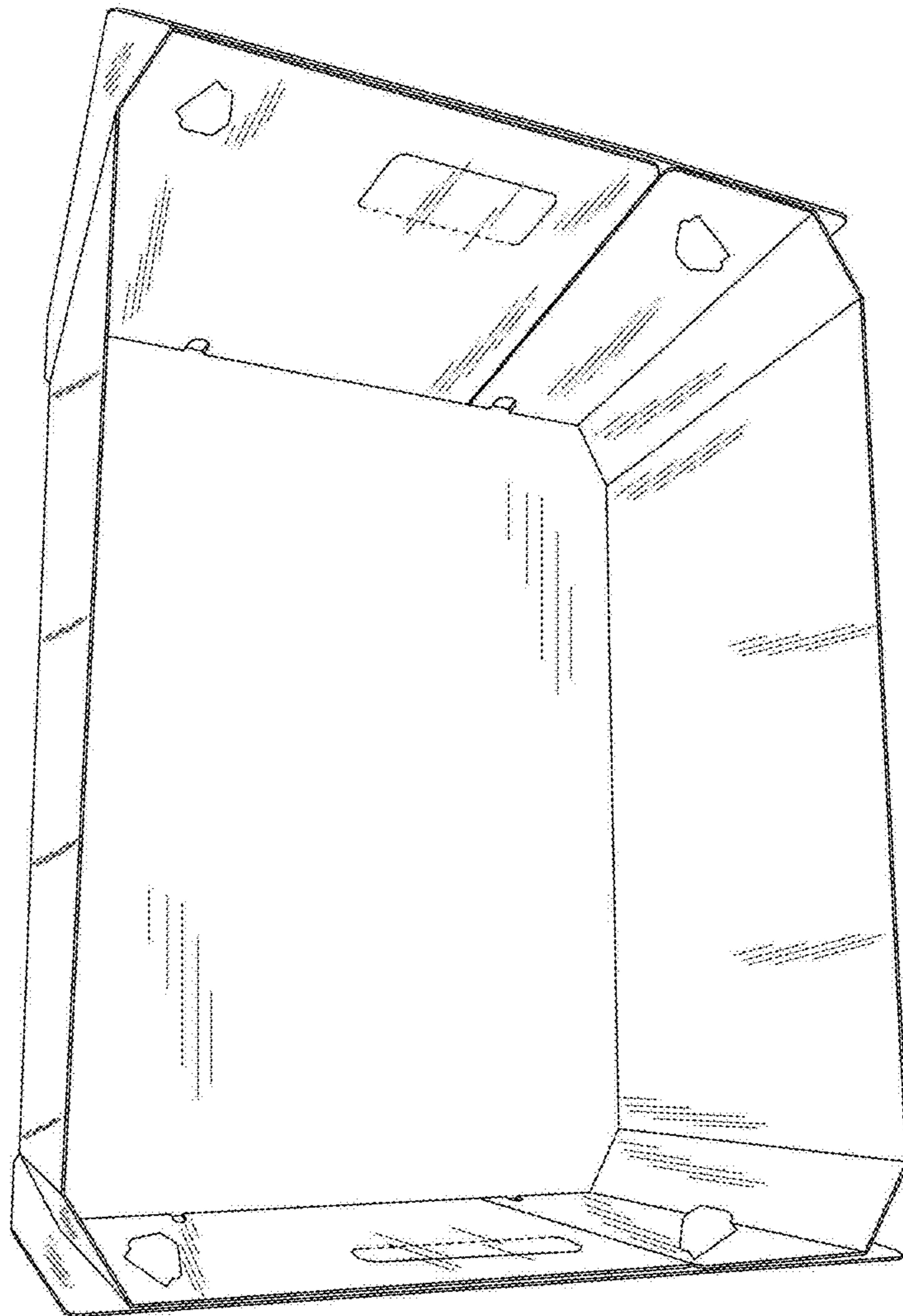


FIG. 2

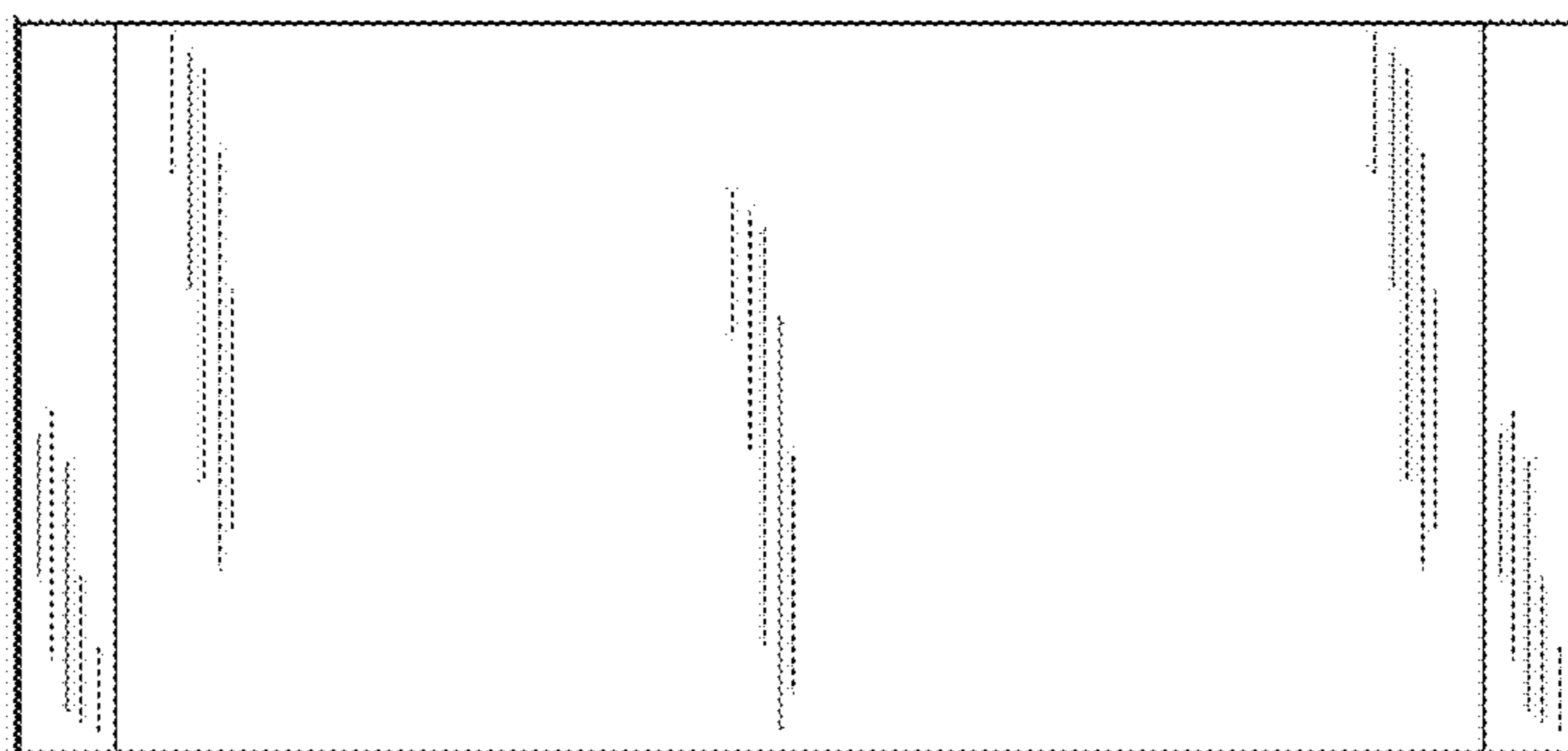


FIG. 3

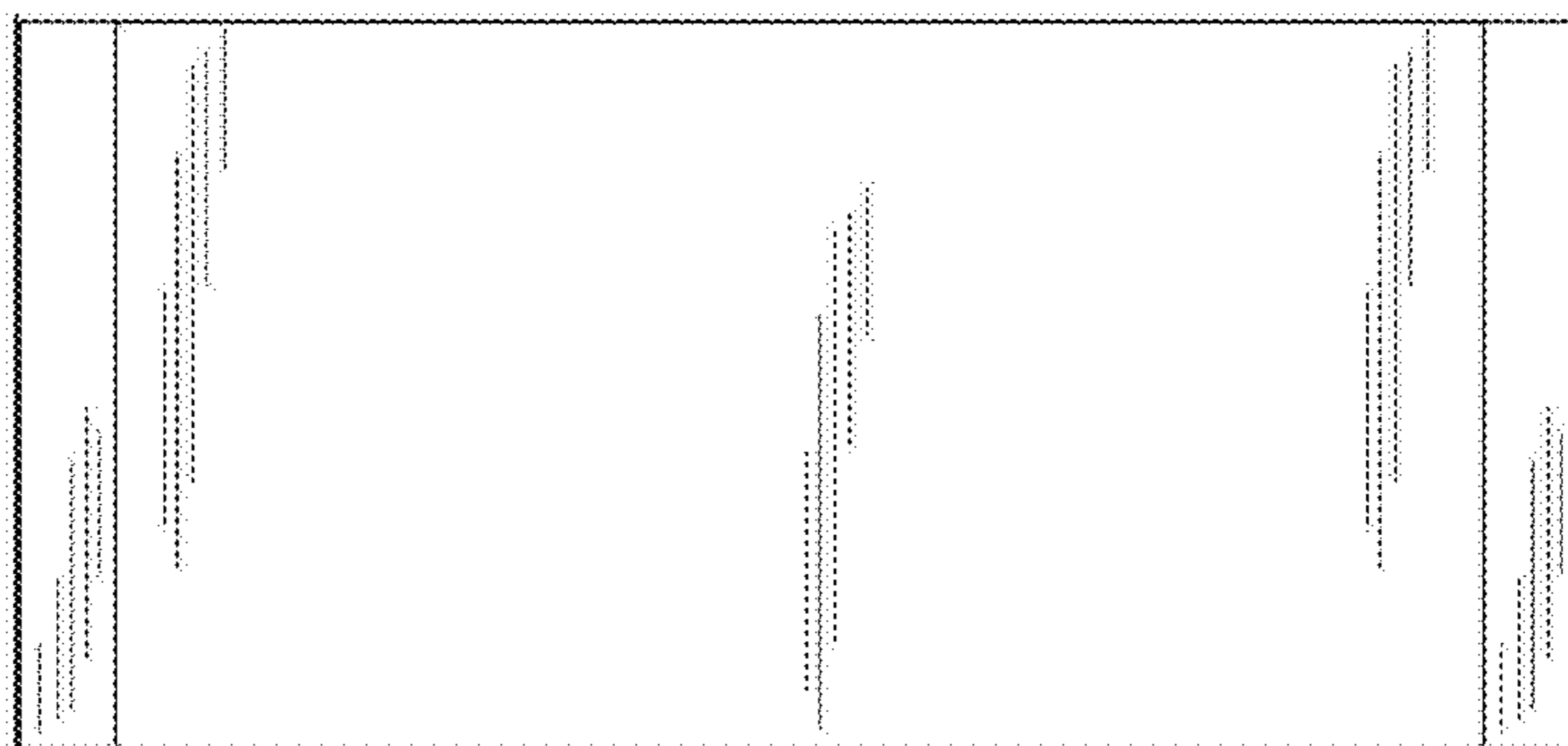


FIG. 4

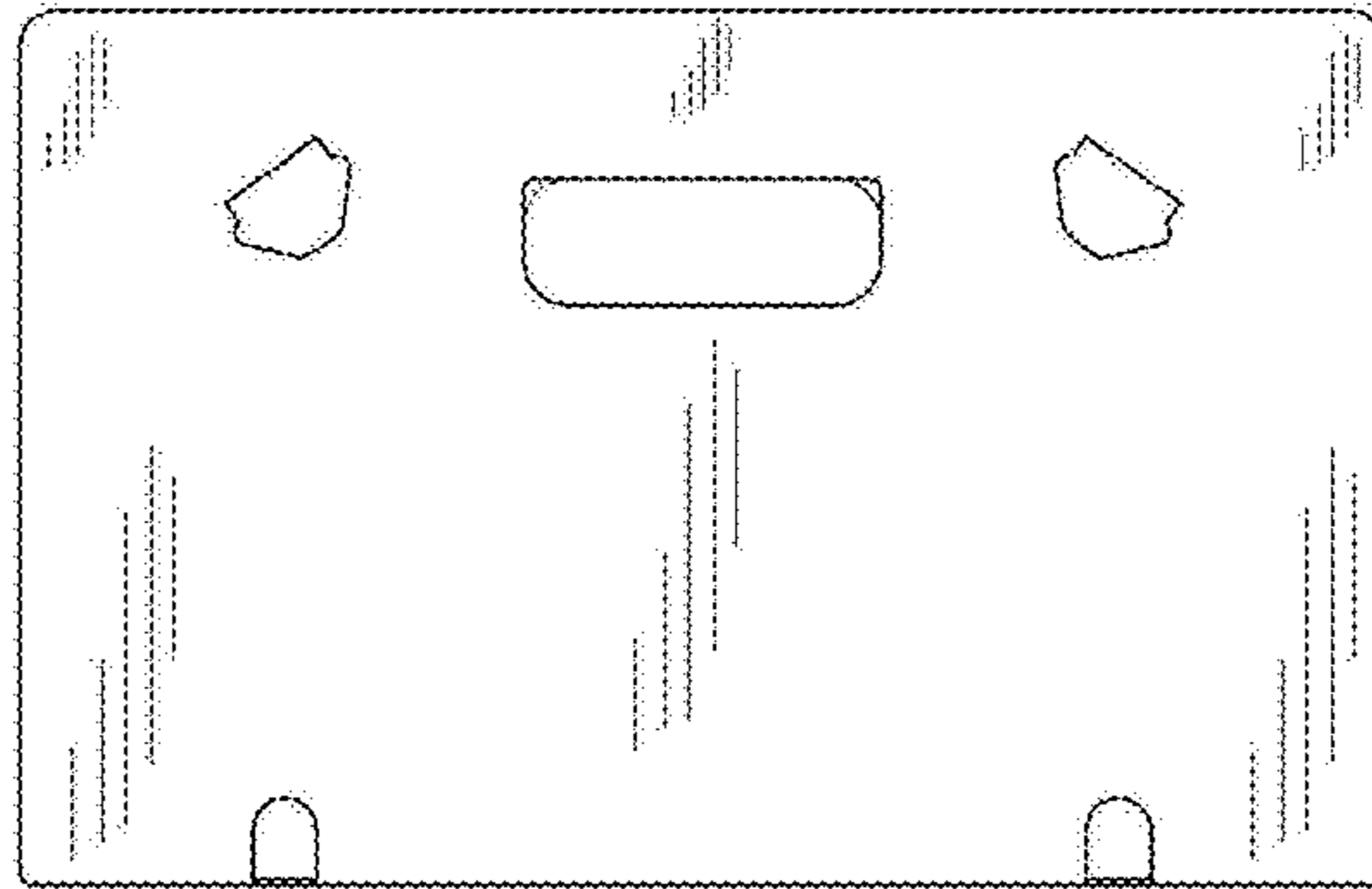


FIG. 5

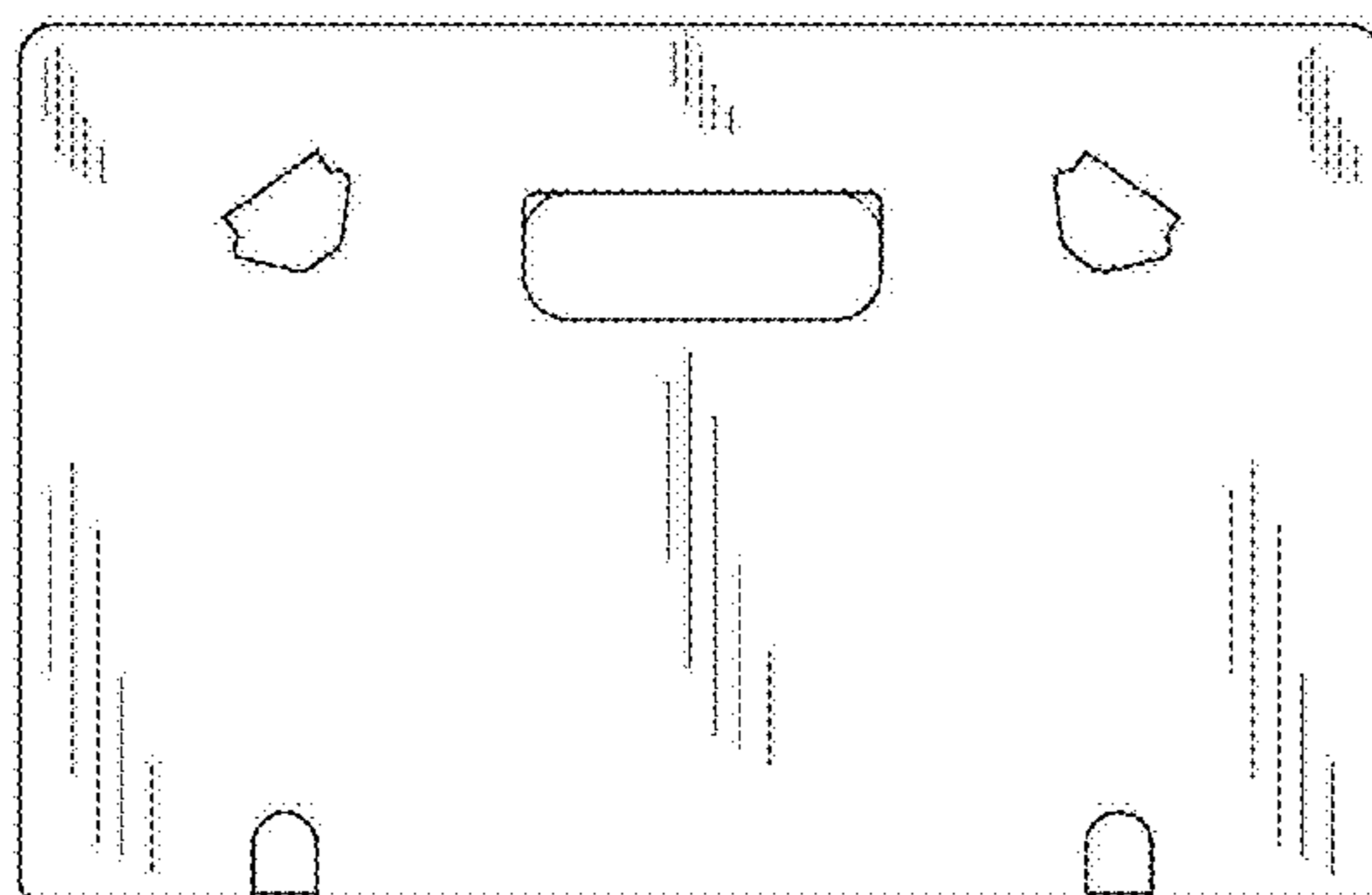


FIG. 6

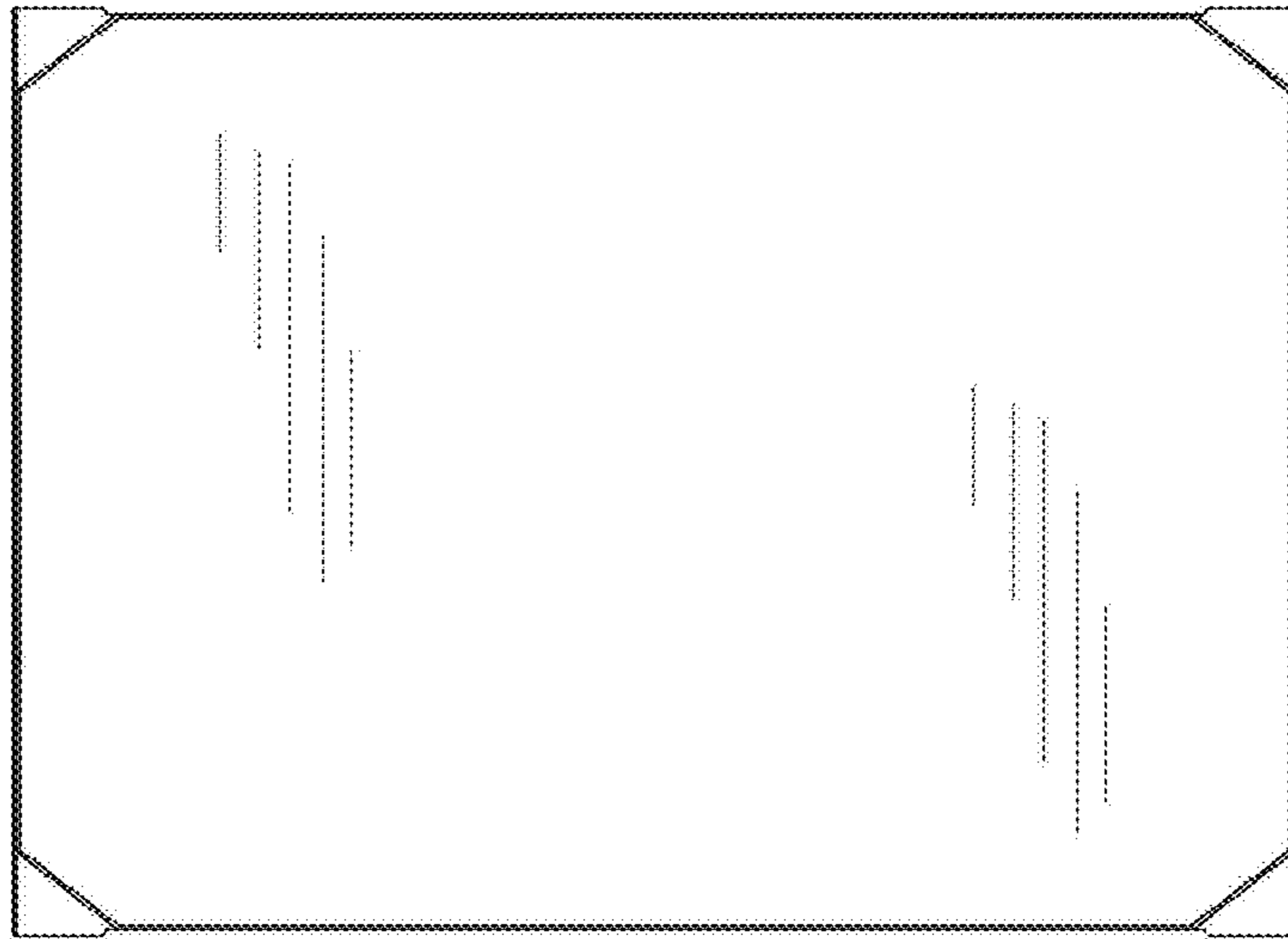


FIG. 7

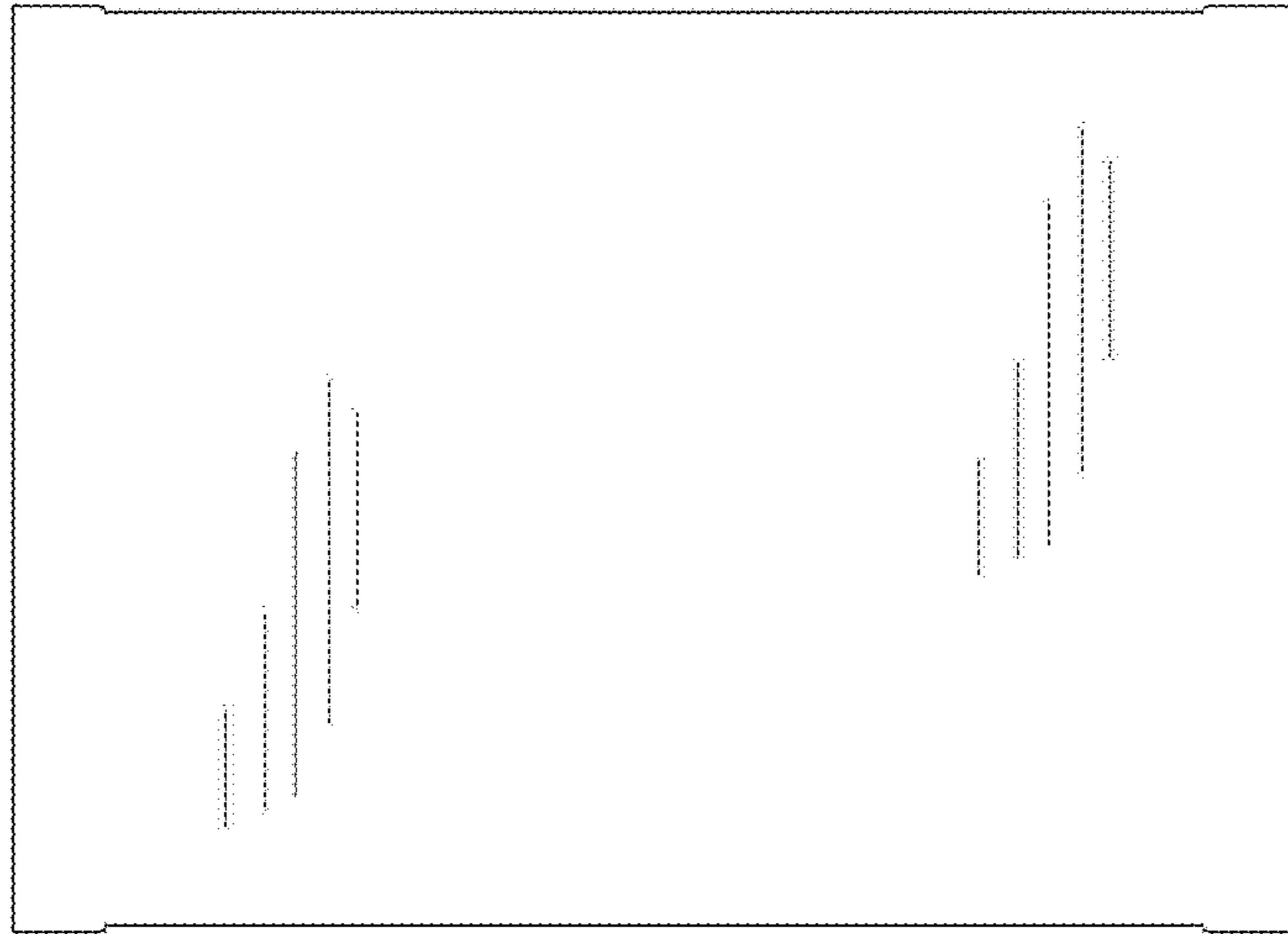


FIG. 8

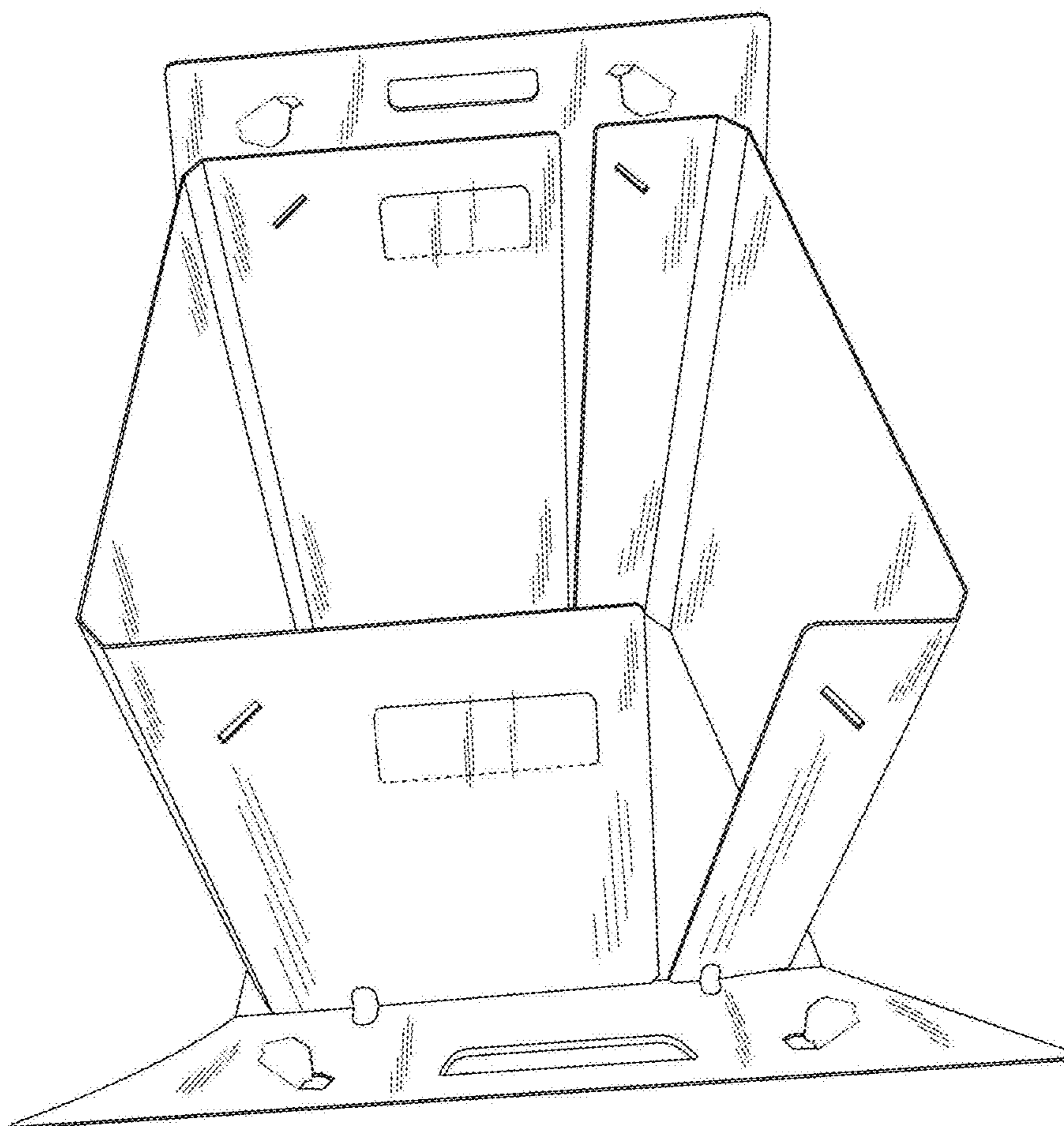


FIG. 9

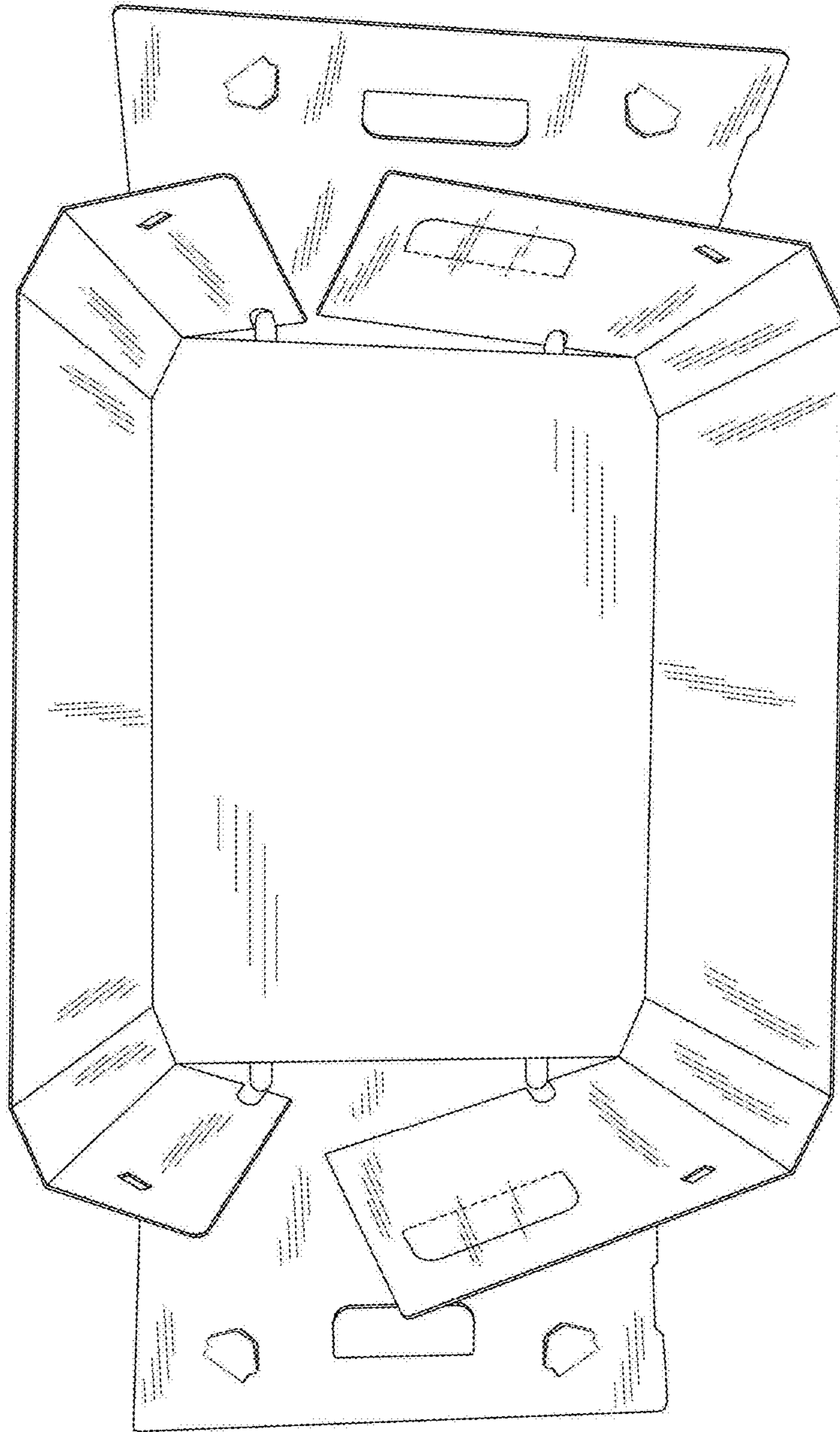


FIG. 10

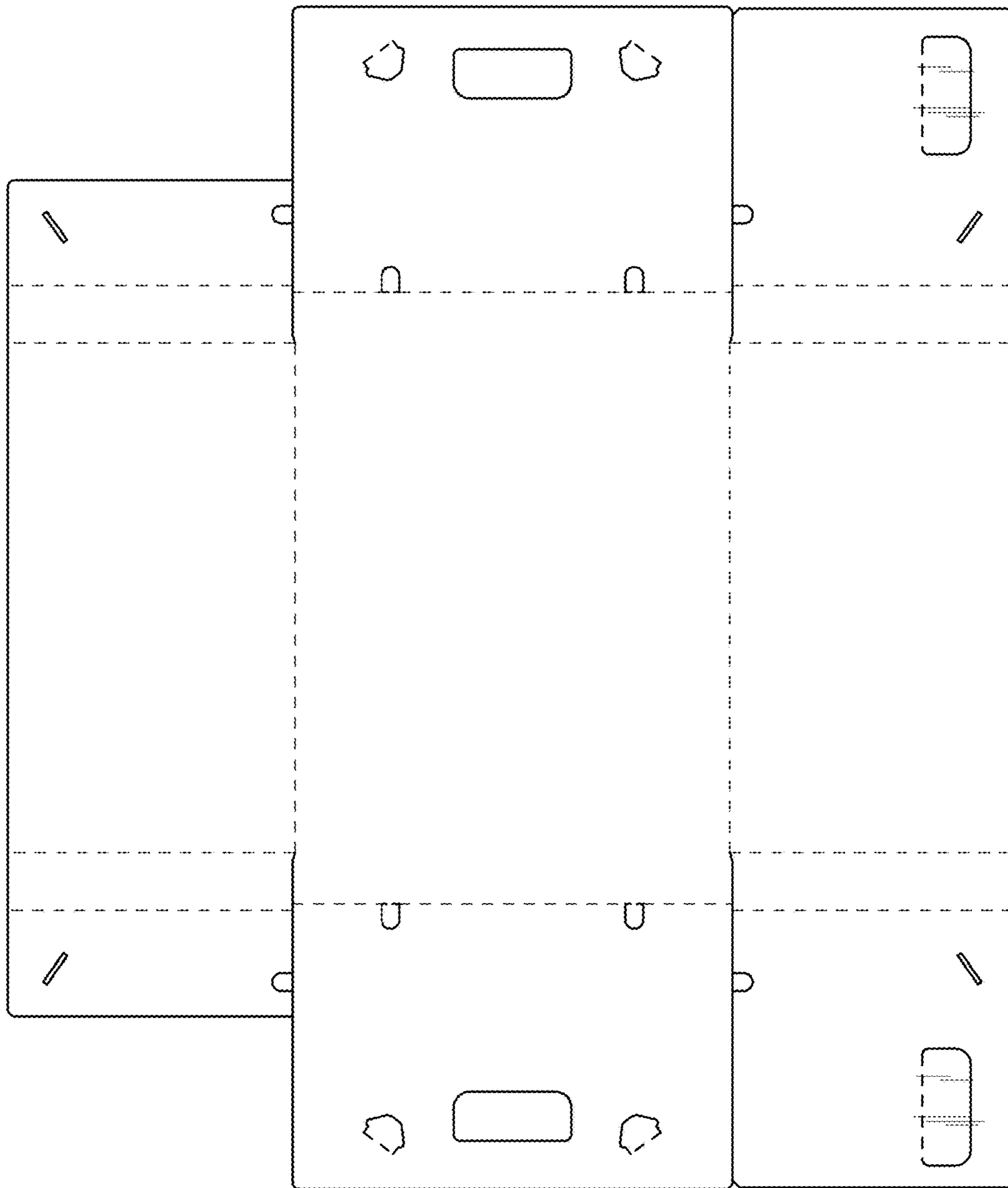


FIG. 11