

US00D867873S

(12) **United States Design Patent**
Troudt et al.

(10) **Patent No.:** **US D867,873 S**

(45) **Date of Patent:** **** Nov. 26, 2019**

(54) **CONTAINER**

(71) Applicant: **D6 Inc.**, Portland, OR (US)

(72) Inventors: **Martin Troudt**, Wood Village, OR (US); **Ben McGregor**, Portland, OR (US); **Ed Dominion**, Portland, OR (US)

(73) Assignee: **D6 Inc.**, Portland, OR (US)

(**) Term: **15 Years**

(21) Appl. No.: **29/644,949**

(22) Filed: **Apr. 22, 2018**

(51) **LOC (12) Cl.** **09-03**

(52) **U.S. Cl.**
USPC **D9/425**

(58) **Field of Classification Search**
USPC D7/400, 601, 608; D9/416, 417, 420, D9/425-429, 430, 432, 761; 206/499, 206/501, 502, 821; 220/625, 656, 669, 220/670, 674; 229/123.1, 123.2, 125.33, 229/125.35, 400-407, 915, 939
CPC . B65D 1/26; B65D 1/40; B65D 5/243; B65D 81/3453; B65D 2581/34; B65D 2581/3404; B65D 2581/3456
See application file for complete search history.

(56) **References Cited**

U.S. PATENT DOCUMENTS

D398,846 S * 9/1998 Wyslowsky D9/418
D414,413 S * 9/1999 Brown D9/425

D511,437 S * 11/2005 Brown D7/566
D539,137 S * 3/2007 Lin D9/429
D543,787 S * 6/2007 Wasserman D7/565
D551,507 S * 9/2007 Friedland D7/543
D578,879 S * 10/2008 Friedland D7/545
D673,849 S * 1/2013 Barbier D9/429

OTHER PUBLICATIONS

U.S. Appl. No. 29/644,948, filed Apr. 22, 2018, 19 pages.
U.S. Appl. No. 29/644,948, filed Apr. 25, 2018, 3 pages.

* cited by examiner

Primary Examiner — Derrick E Holland

Assistant Examiner — Janice Patyk

(74) *Attorney, Agent, or Firm* — Stoel Rives LLP

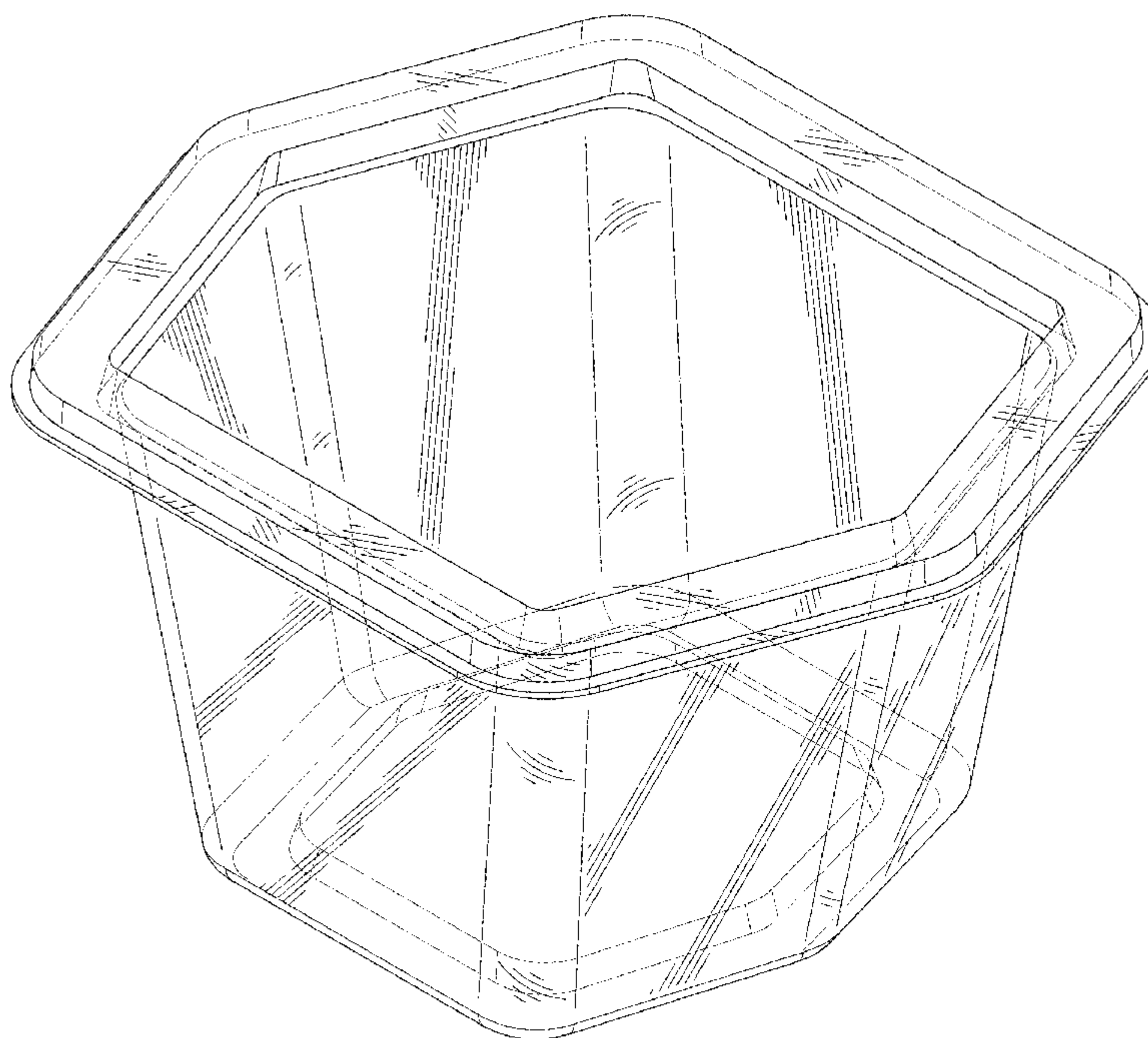
(57) **CLAIM**

The ornamental design for a container, as shown and described.

DESCRIPTION

FIG. 1 is a front, top isometric view of a container, showing our new design;
FIG. 2 is a front elevational view of the container of FIG. 1;
FIG. 3 is a rear elevational view of the container of FIG. 1;
FIG. 4 is a right side view of the container of FIG. 1;
FIG. 5 is a left side view of the container of FIG. 1;
FIG. 6 is a top plan view of the container of FIG. 1;
FIG. 7 is a bottom plan view of the container of FIG. 1; and,
FIG. 8 is a bottom, rear isometric view of the container of FIG. 1.

1 Claim, 8 Drawing Sheets



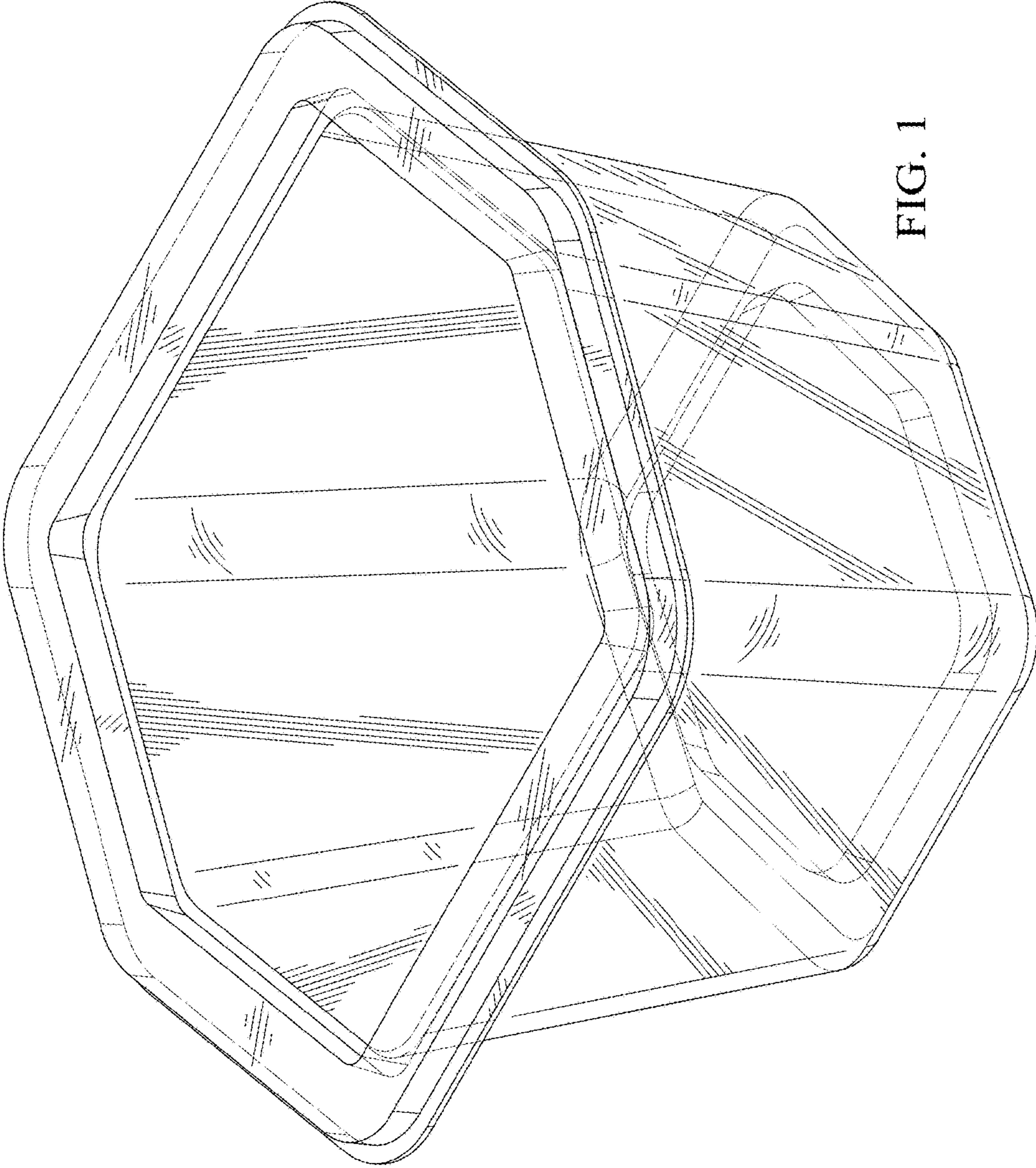


FIG. 1

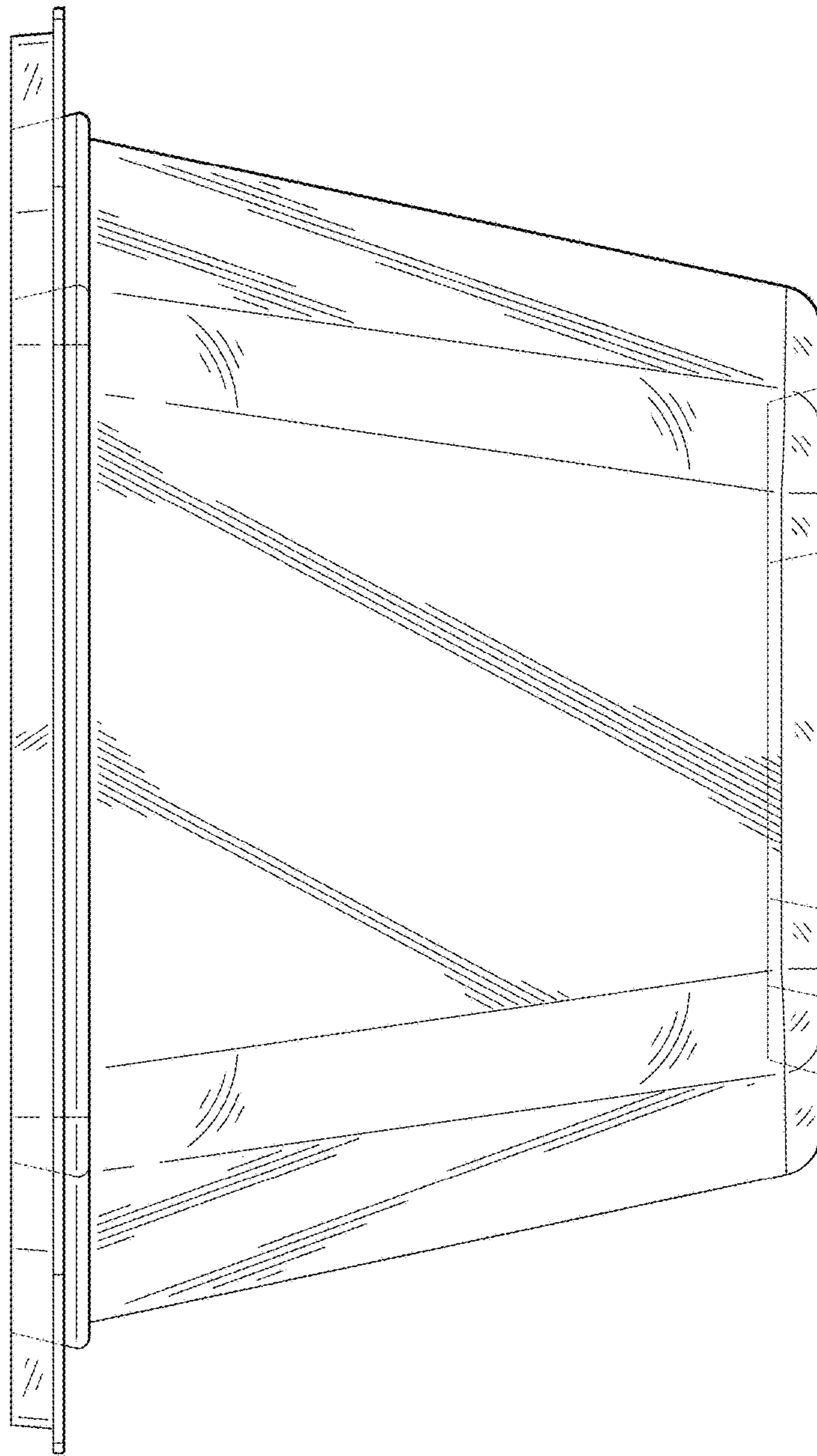


FIG. 2

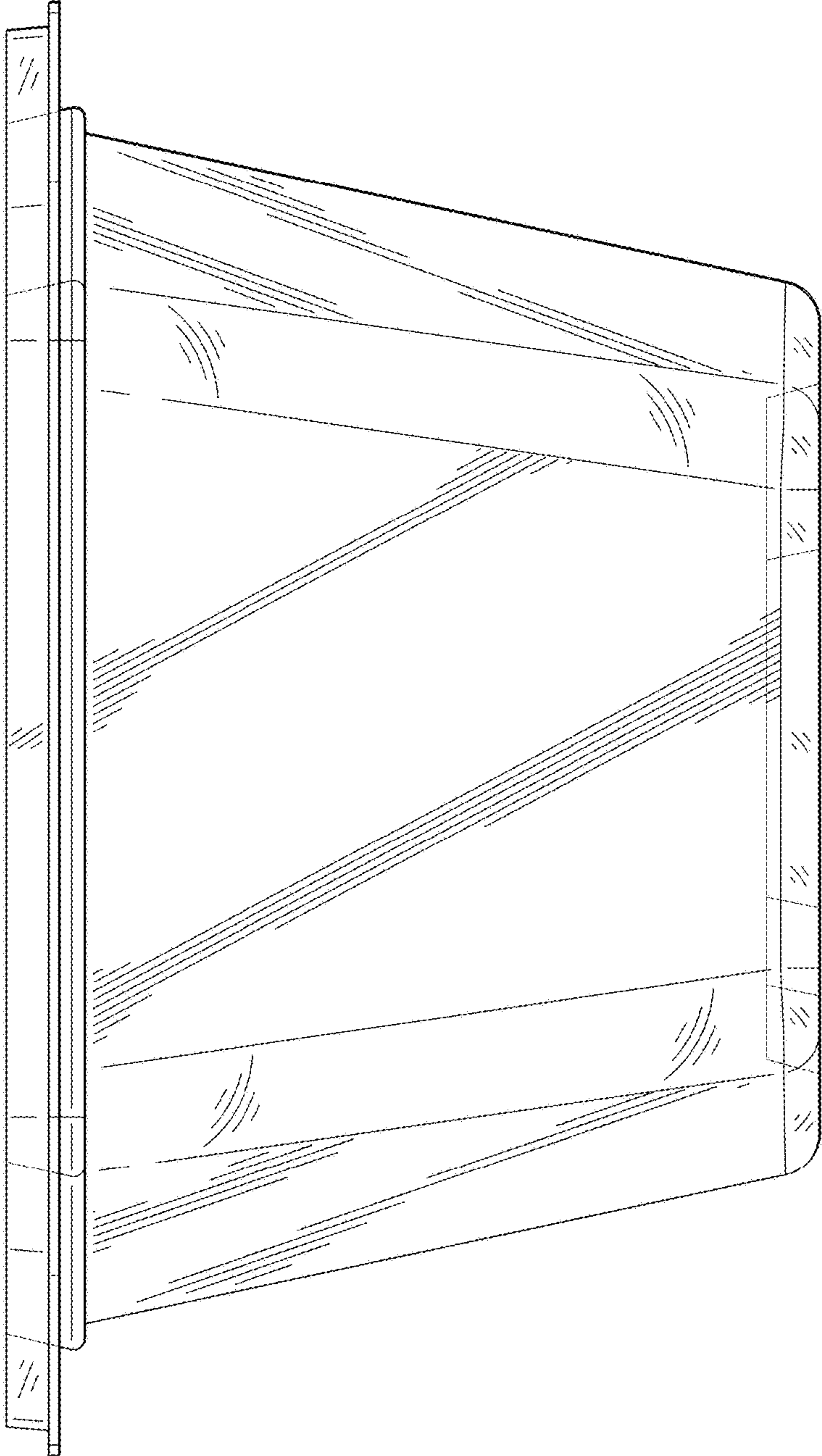


FIG. 3

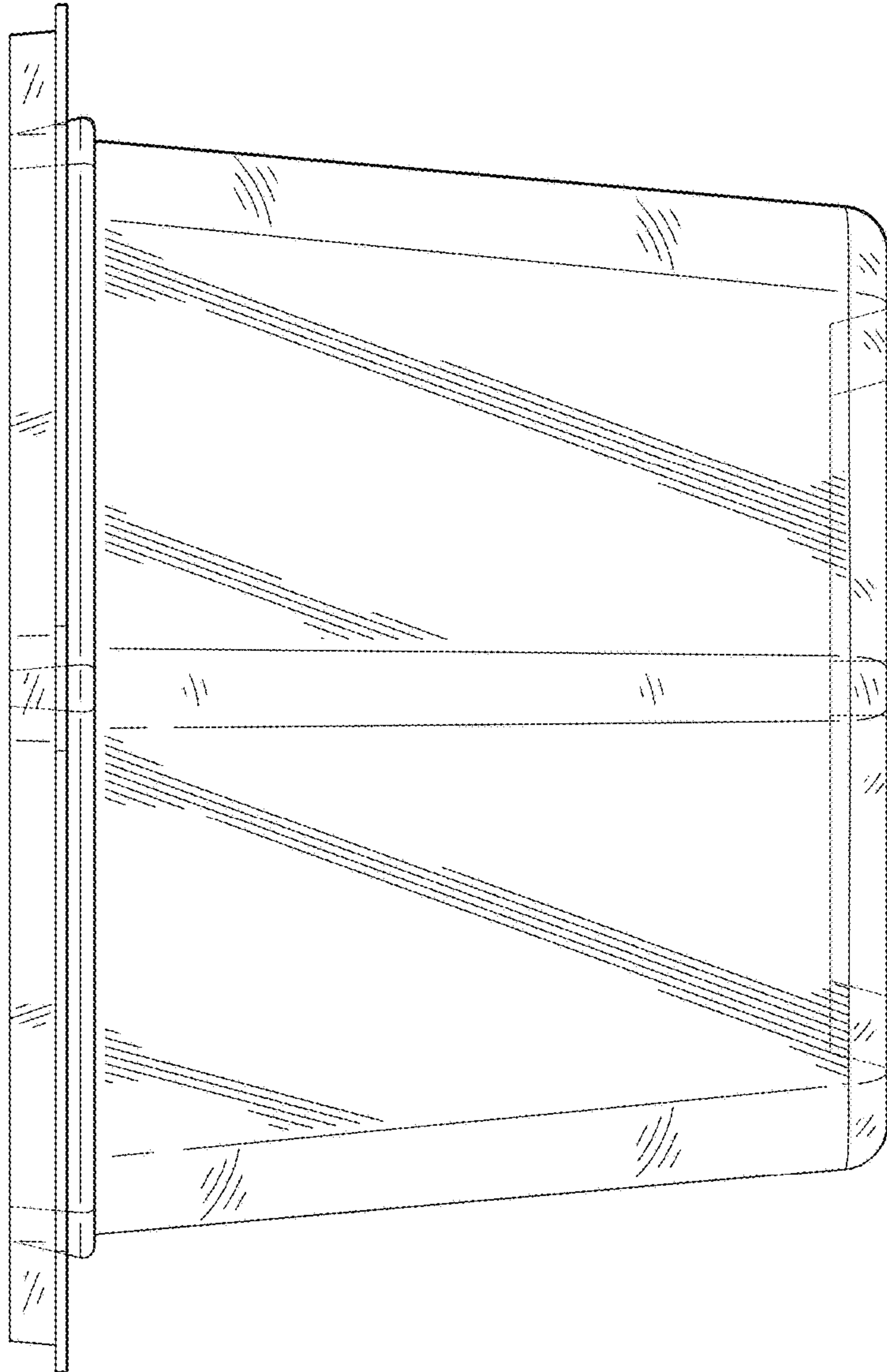


FIG. 4

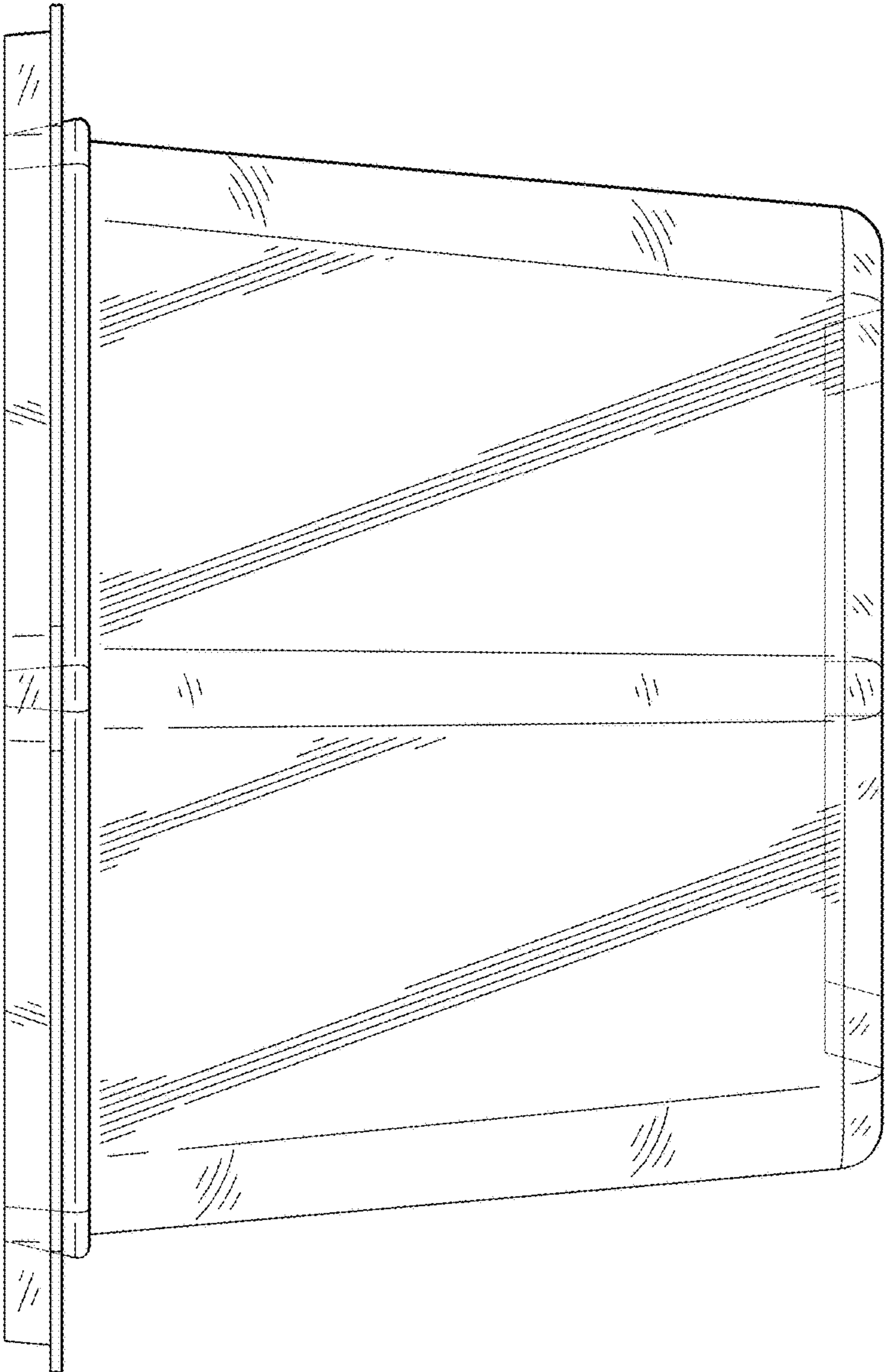


FIG. 5

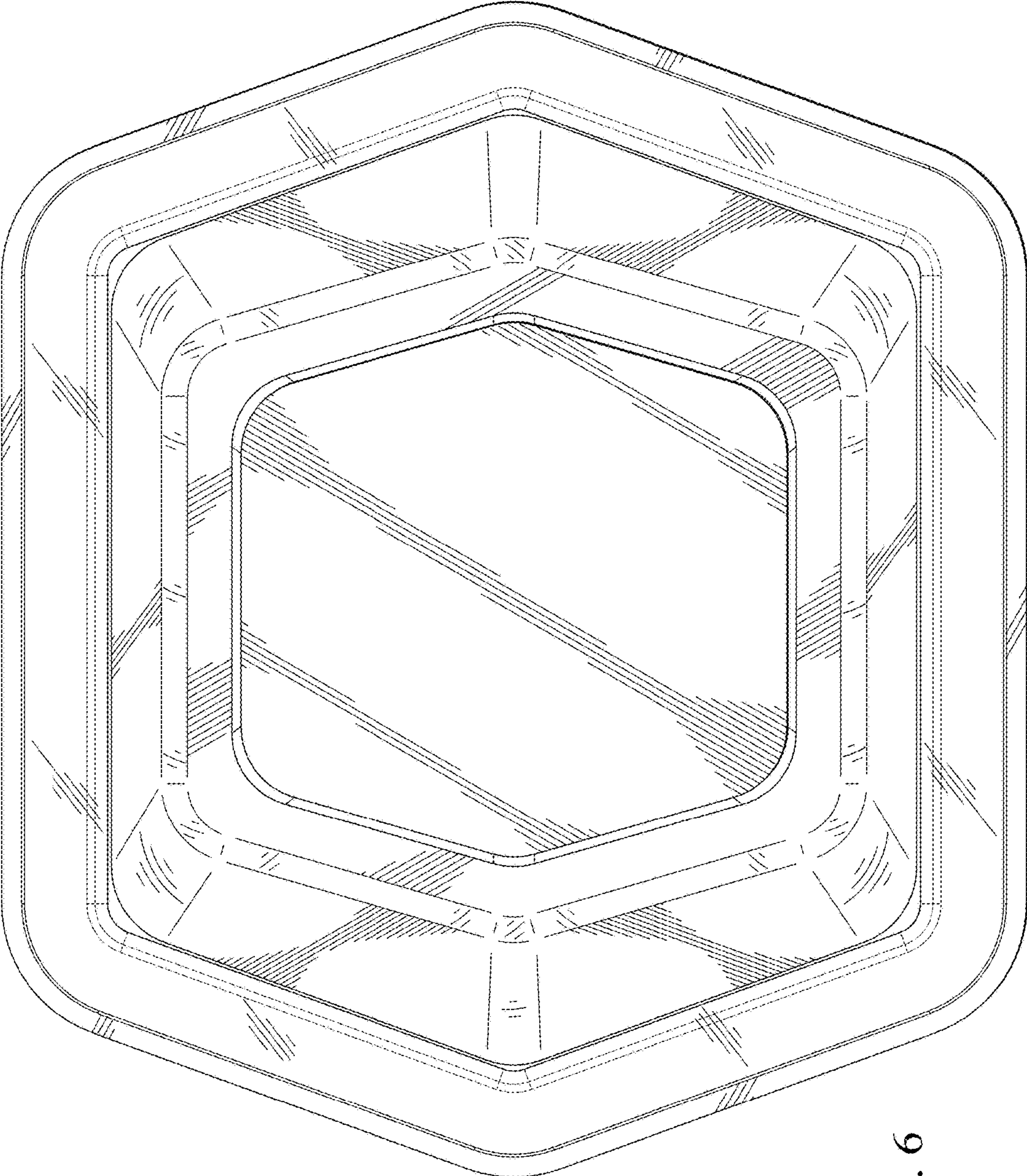


FIG. 6

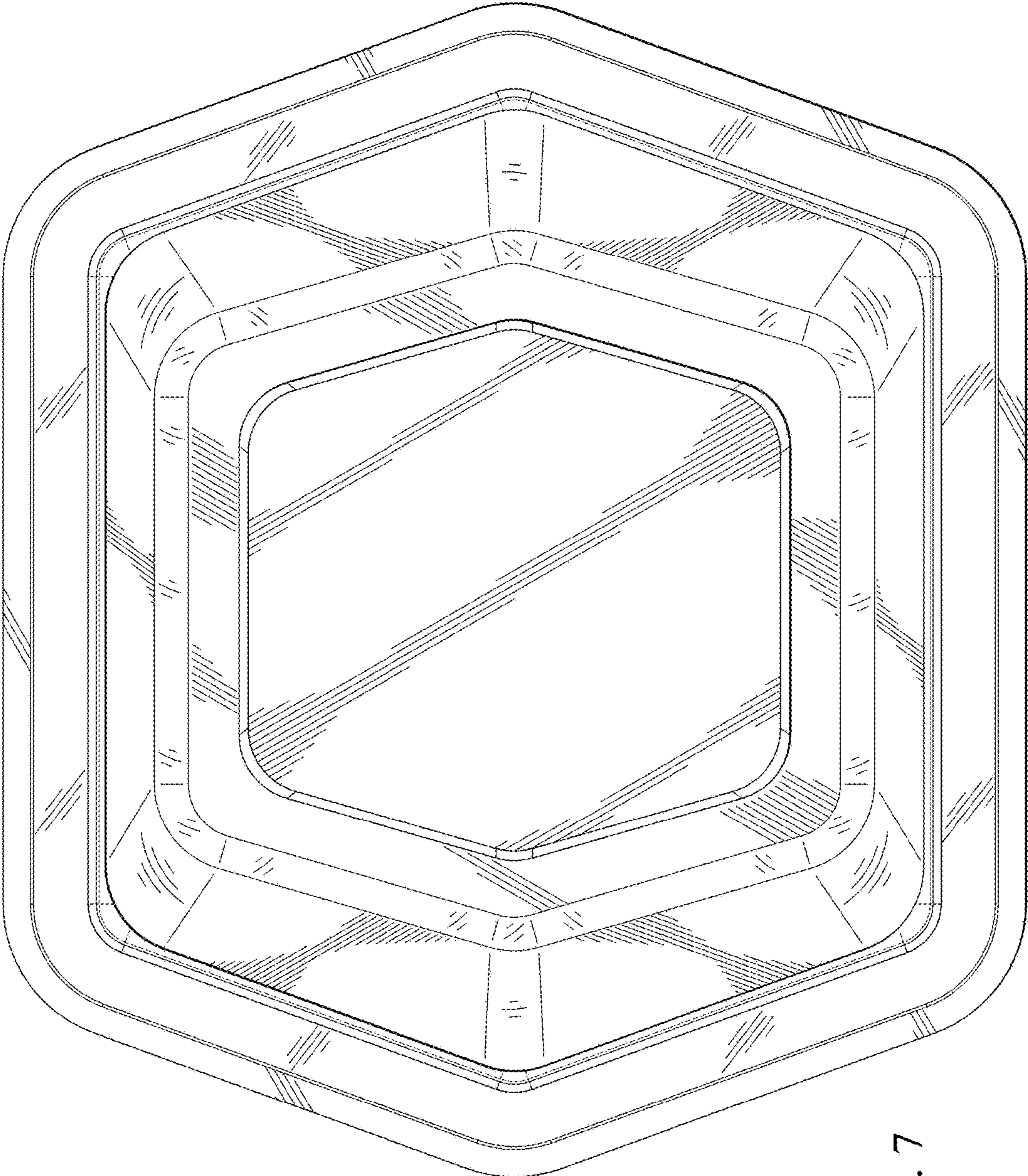


FIG. 7

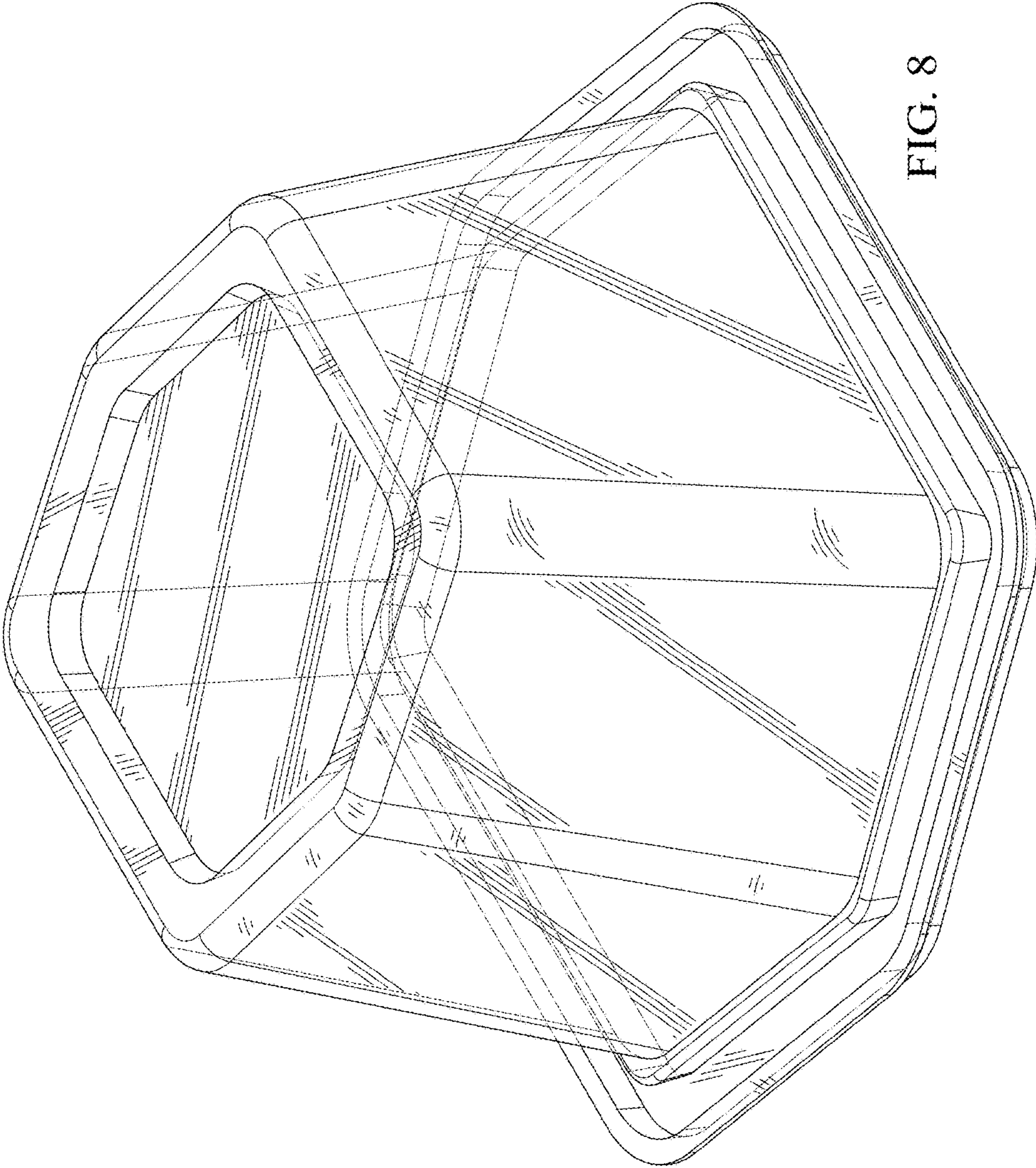


FIG. 8