



US00D867870S

(12) **United States Design Patent** (10) **Patent No.:** **US D867,870 S**  
**Abrams et al.** (45) **Date of Patent:** **\*\* Nov. 26, 2019**

(54) **CONTAINER FOR STORAGE**  
(71) Applicant: **CSP TECHNOLOGIES, INC.**,  
Auburn, AL (US)  
(72) Inventors: **William Abrams**, Auburn, AL (US);  
**Kasey Myers**, Auburn, AL (US); **Ethan**  
**Ross Perdue**, Auburn, AL (US)  
(73) Assignee: **CSP Technologies, Inc.**, Auburn, AL  
(US)  
(\*\*) Term: **15 Years**  
(21) Appl. No.: **29/575,526**  
(22) Filed: **Aug. 25, 2016**  
(51) **LOC (12) Cl.** ..... **09-03**  
(52) **U.S. Cl.**  
USPC ..... **D9/420**  
(58) **Field of Classification Search**  
USPC ..... D9/414, 415, 418, 420, 421, 423, 424,  
D9/425, 433; D7/189  
CPC ..... B65D 85/00; B65D 17/12  
See application file for complete search history.

D624,815 S \* 10/2010 Hansen ..... D9/420  
D627,634 S \* 11/2010 Chung ..... D9/423  
D627,931 S \* 11/2010 Barresi ..... D28/83  
D633,786 S \* 3/2011 Gibson ..... D9/423  
D636,931 S \* 4/2011 de The ..... D27/189  
D668,141 S \* 10/2012 Collins ..... D9/423  
D668,534 S \* 10/2012 Collins ..... D9/423  
D671,678 S \* 11/2012 Wu ..... D27/189  
D675,918 S \* 2/2013 Holford ..... D9/423  
D676,741 S \* 2/2013 van Landsveld ..... D9/423  
D681,445 S \* 5/2013 van Landsveld ..... D9/423  
D687,703 S \* 8/2013 Hannant ..... D9/420  
D719,701 S \* 12/2014 Scatterday ..... D27/189  
D748,467 S \* 2/2016 Angeloni ..... D9/420  
D752,282 S \* 3/2016 Doster ..... D27/189  
D752,286 S \* 3/2016 Doster ..... D27/189  
D762,466 S \* 8/2016 Angeloni ..... D9/420

(Continued)

*Primary Examiner* — Sandra S Snapp  
*Assistant Examiner* — Mehri F Bajoul  
(74) *Attorney, Agent, or Firm* — Mark T. Vogelbacker;  
Eckert Seamans Cherin & Mellott, LLP

(57) **CLAIM**

The ornamental design for a container for storage, as shown and described.

**DESCRIPTION**

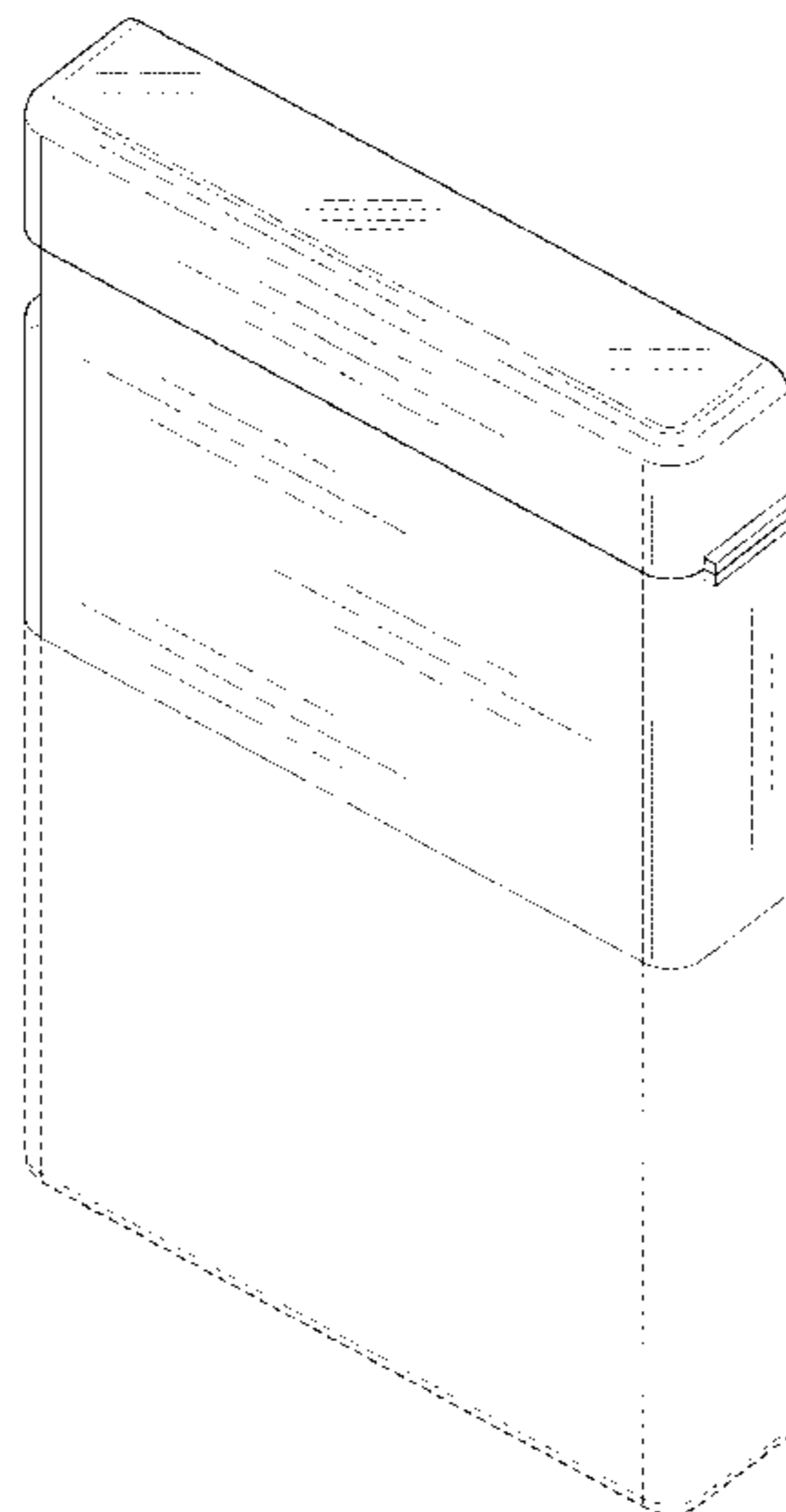
FIG. 1 is a front isometric view of a container for storage showing our new design;  
FIG. 2 is a rear isometric view thereof;  
FIG. 3 is a front elevation view thereof;  
FIG. 4 is a rear elevation view thereof;  
FIG. 5 is a right side elevation view thereof;  
FIG. 6 is a left side elevation view thereof;  
FIG. 7 is a top plan view thereof; and,  
FIG. 8 is a bottom plan view thereof.  
The dashed lines shown in the figures depict portions of the container for storage that form no part of the claimed design.

**1 Claim, 6 Drawing Sheets**

(56) **References Cited**

**U.S. PATENT DOCUMENTS**

D364,344 S \* 11/1995 Shaw ..... D9/421  
D404,201 S \* 1/1999 Wennerstrom ..... D3/294  
D452,148 S \* 12/2001 Friedberg ..... D9/423  
D500,387 S \* 12/2004 Draghetti ..... D27/189  
D540,665 S \* 4/2007 Gupta ..... D9/433  
D547,175 S \* 7/2007 Berg ..... D9/420  
D575,452 S \* 8/2008 Jones ..... D27/189  
D593,409 S \* 6/2009 Blick ..... D27/189  
D596,349 S \* 7/2009 Tabrah ..... D27/189  
D601,748 S \* 10/2009 Pipes ..... D27/189  
D607,717 S \* 1/2010 Hodges ..... D9/423  
D610,303 S \* 2/2010 Valle ..... D27/189  
D618,545 S \* 6/2010 Toinet ..... D9/423



(56)

**References Cited**

U.S. PATENT DOCUMENTS

D765,908 S	*	9/2016	Zahr .....	D27/187
D770,090 S	*	10/2016	Zahr .....	D27/187
D770,679 S	*	11/2016	Weigensberg .....	D27/189
D783,399 S	*	4/2017	Williams .....	A01K 39/0113 D9/447
D793,004 S	*	7/2017	Liu .....	D27/189

\* cited by examiner

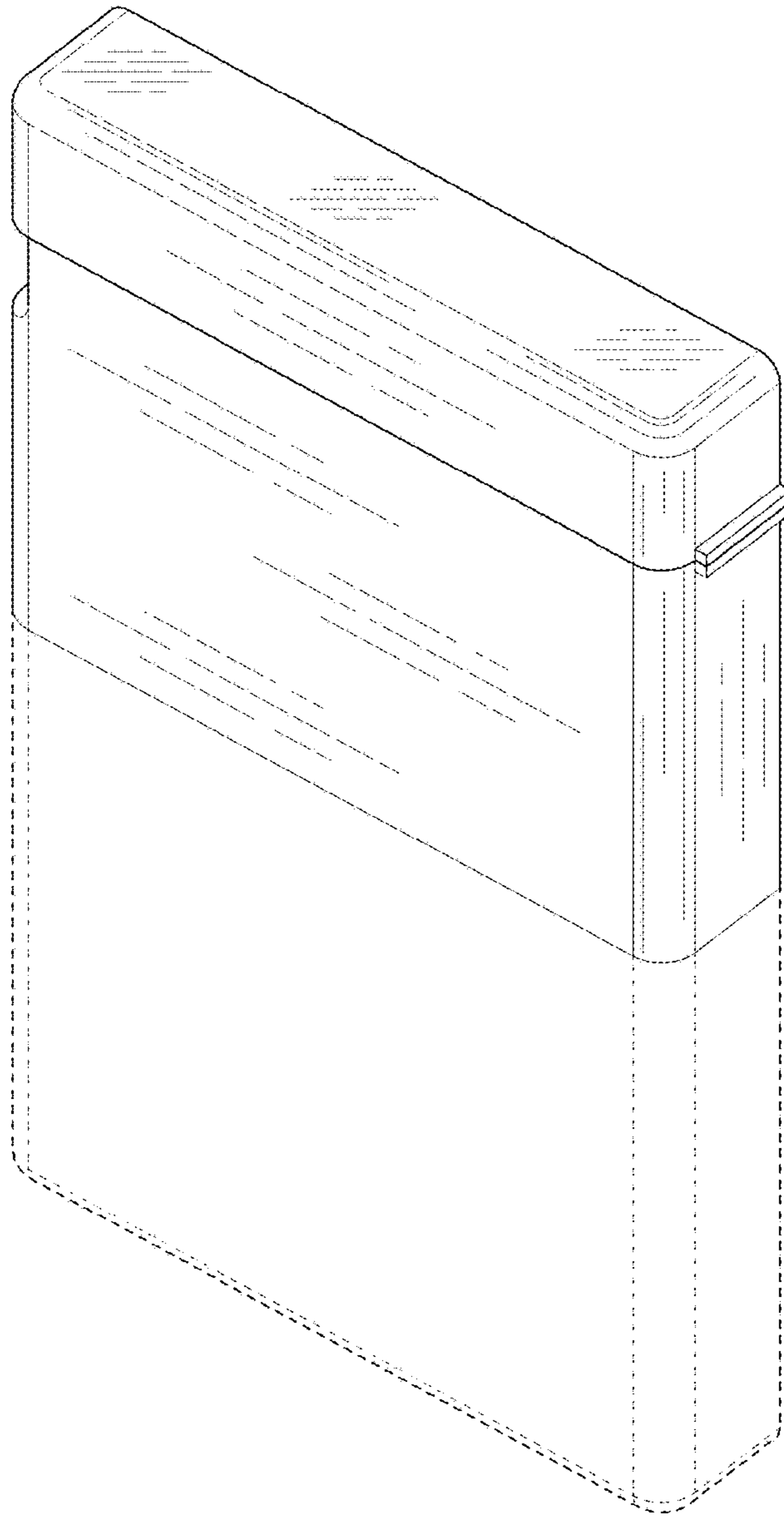


FIG. 1

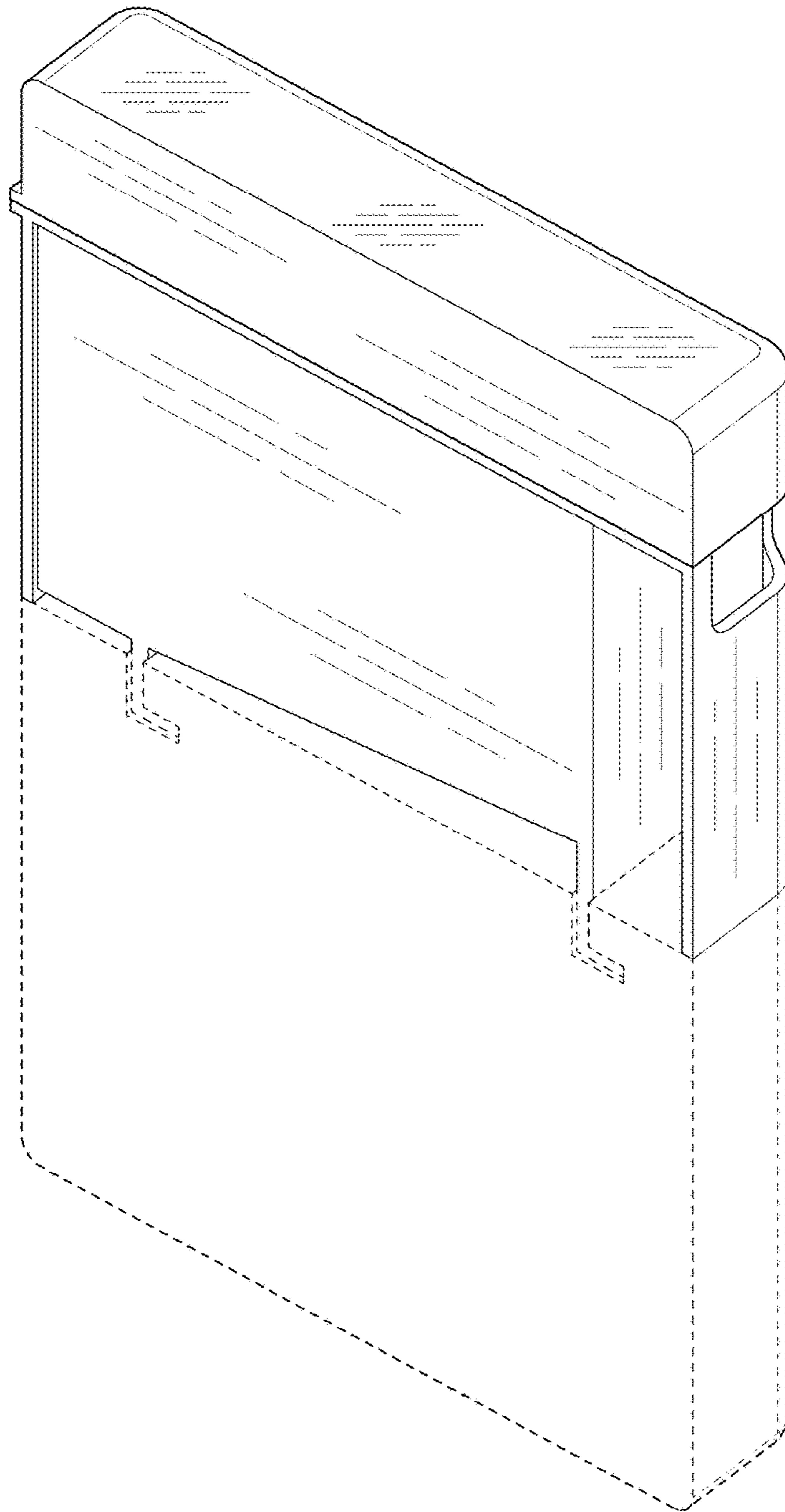


FIG. 2

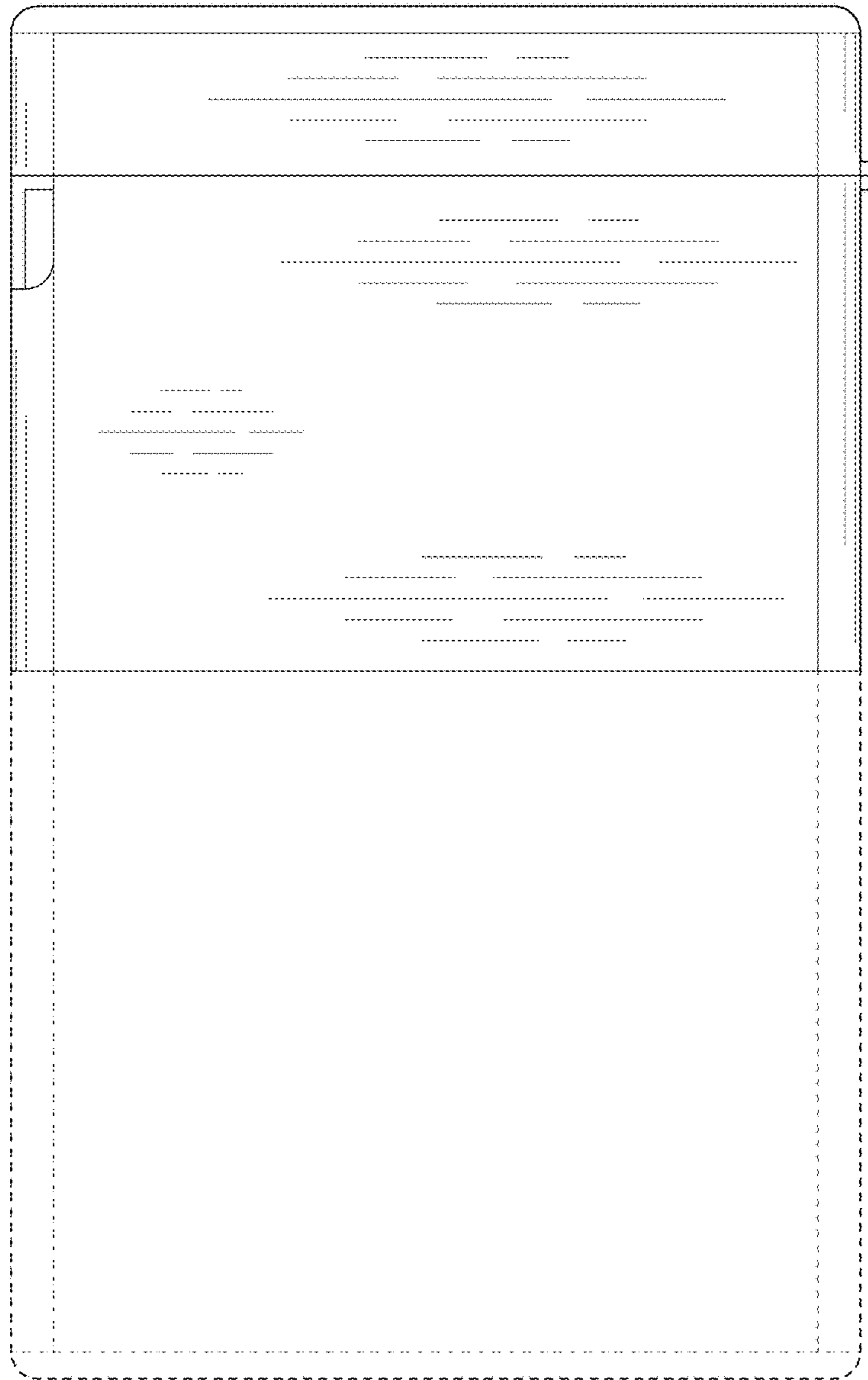


FIG. 3

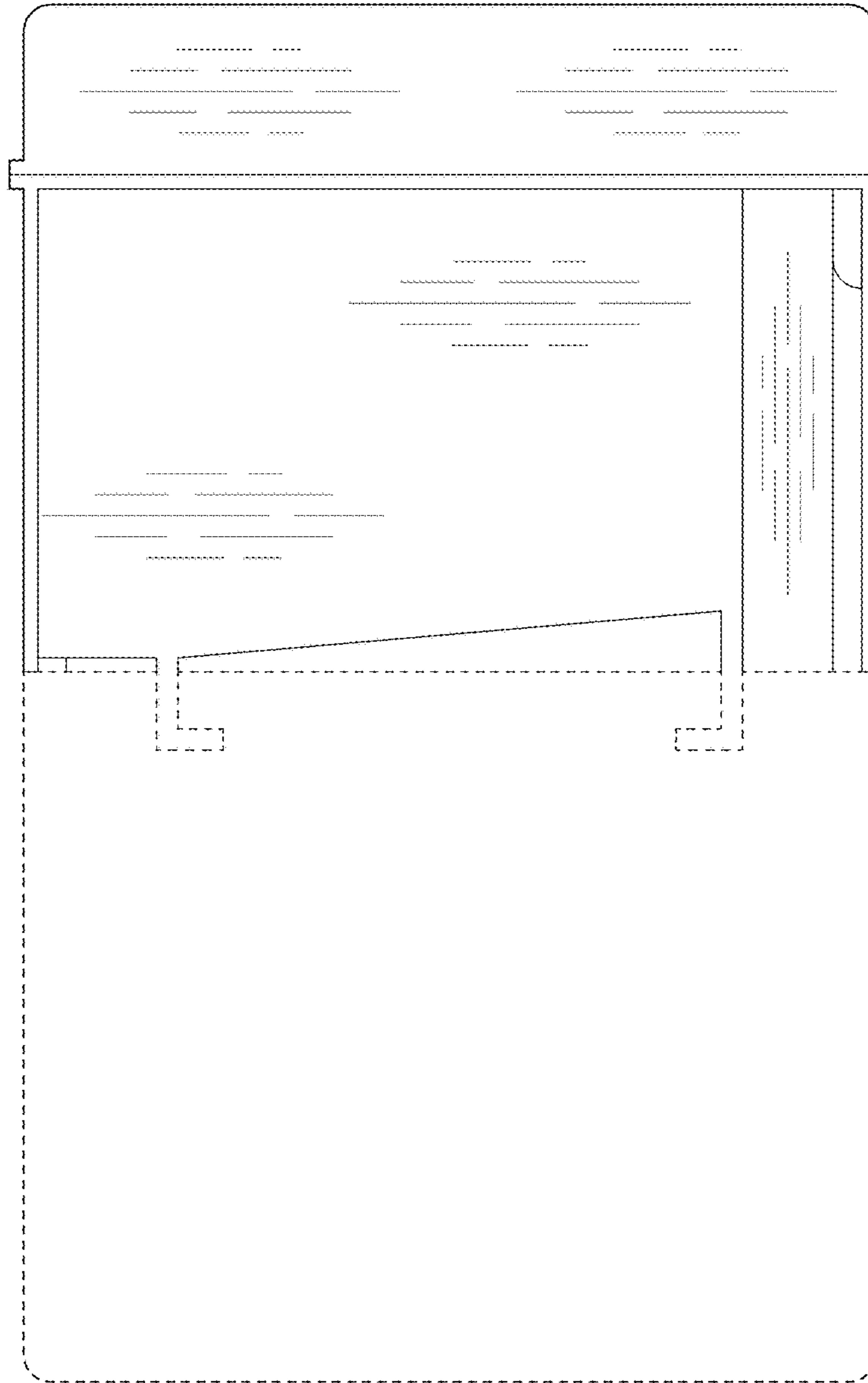


FIG. 4

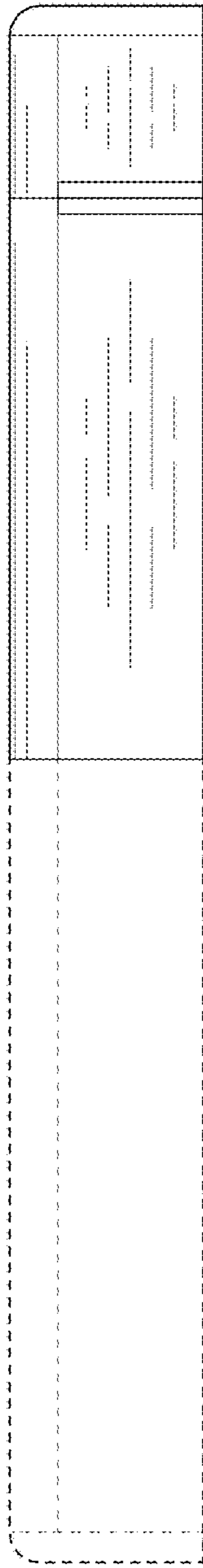


FIG. 5

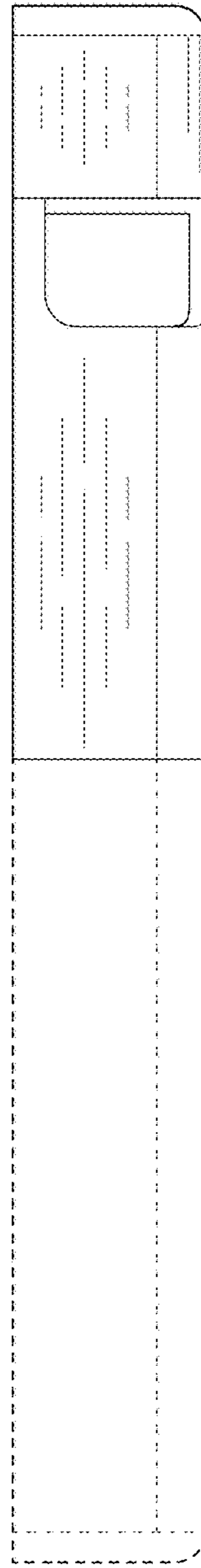


FIG. 6



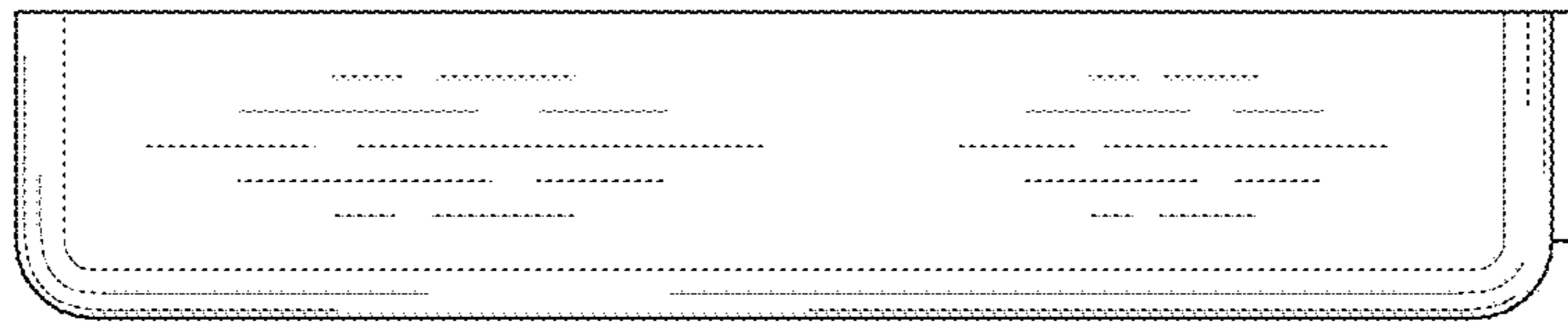


FIG. 7

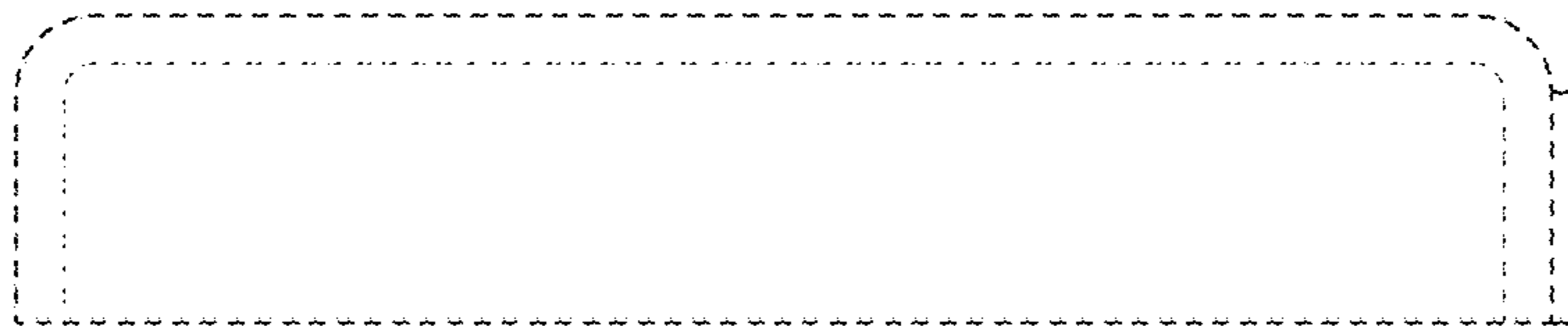


FIG. 8