

US00D867869S

(12) **United States Design Patent** (10) **Patent No.:** **US D867,869 S**
Rennette (45) **Date of Patent:** **** Nov. 26, 2019**

(54) **DISPLAY CASE**
(71) Applicant: **Olivia Garden International Inc.,**
Walnut Creek, CA (US)
(72) Inventor: **Jean Rennette,** Walnut Creek, CA (US)
(73) Assignee: **Olivia Garden International, Inc.,**
Walnut Creek, CA (US)
(**) Term: **15 Years**

D621,163 S 8/2010 Rennette
D624,321 S 9/2010 Rennette
D627,568 S 11/2010 Rennette
D644,440 S 9/2011 Rennette
D646,488 S 10/2011 Rennette
D648,540 S 11/2011 Rennette
D652,321 S * 1/2012 Melnick D9/721
D655,600 S * 3/2012 Work D9/418
D684,373 S 6/2013 Rennette
D716,140 S * 10/2014 Kim D9/430
D717,160 S * 11/2014 Kurniawan D9/415
D721,597 S * 1/2015 Zumwalt D9/415
D730,060 S 5/2015 Rennette

(Continued)

(21) Appl. No.: **29/687,487**
(22) Filed: **Apr. 12, 2019**
(51) **LOC (12) Cl.** **09-03**
(52) **U.S. Cl.**
USPC **D9/415; D9/418**
(58) **Field of Classification Search**
USPC D9/414-418, 432-435, 721; D6/515,
D6/629; D3/294
CPC B65D 5/42; A45F 3/20
See application file for complete search history.

Primary Examiner — Rhea Shields
(74) *Attorney, Agent, or Firm* — Volk & McElroy, LLP;
Michael D. Volk, Jr.

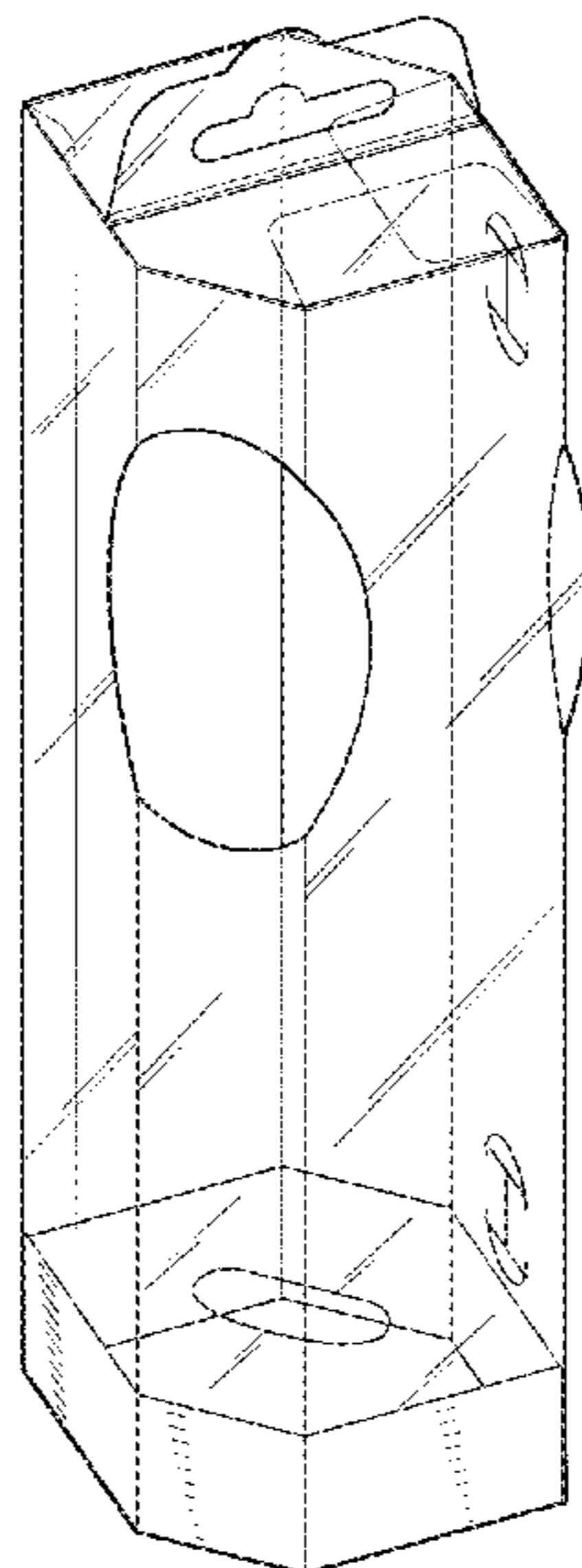
(57) **CLAIM**
The ornamental design for a display case, as shown.

(56) **References Cited**
U.S. PATENT DOCUMENTS
2,034,809 A * 3/1936 Grant B65D 5/18
206/303
4,854,474 A * 8/1989 Murray A45F 3/20
220/1.5
D310,967 S * 10/1990 Roethling D9/418
D316,638 S * 5/1991 Oldorf D6/515
D332,744 S * 1/1993 McCooey D9/415
D429,637 S * 8/2000 Kumakura D9/415
D444,061 S * 6/2001 Dardashti D6/629
D451,802 S * 12/2001 Dardashti D3/294
D455,956 S * 4/2002 Thompson D9/415
D553,488 S * 10/2007 Pacheco D9/418
D555,907 S 11/2007 Rennette
D573,755 S 7/2008 Rennette
D577,286 S * 9/2008 Sheppard D9/418

DESCRIPTION

FIG. 1 is a perspective view of a display case showing my new design.
FIG. 2 is a front view thereof.
FIG. 3 is a rear view thereof.
FIG. 4 is a left side view thereof.
FIG. 5 is a right side view thereof.
FIG. 6 is a top view thereof.
FIG. 7 is a bottom view thereof.
FIG. 8 is a front view of the display case of FIG. 1 shown in an unfolded configuration.
FIG. 9 is a rear view thereof.
FIG. 10 is a top view thereof. The bottom view is a mirror image of the top view shown; and,
FIG. 11 is a right side view thereof. The left side view is a mirror image of the right side view.
One use for my design for a display case is to display a hair brush.

1 Claim, 8 Drawing Sheets



(56)

References Cited

U.S. PATENT DOCUMENTS

D730,061	S	5/2015	Rennette	
D739,660	S	9/2015	Rennette	
D749,326	S	2/2016	Rennette	
D759,477	S	6/2016	Rennette	
D762,069	S	7/2016	Rennette	
D762,465	S *	8/2016	Popper	D9/415
D763,676	S *	8/2016	Filho	D9/419
D766,588	S	9/2016	Rennette	
D775,839	S	1/2017	Rennette	
D782,829	S	4/2017	Park	
D798,607	S	10/2017	Park	
D801,701	S	11/2017	Rennette	
D801,702	S	11/2017	Rennette	
D807,646	S	1/2018	Rennette	
D822,480	S *	7/2018	Rivera	D9/418
D822,481	S *	7/2018	Rivera	D9/418
10,028,574	B2	7/2018	Rennette	
D826,706	S *	8/2018	Moskovich	D9/415
D846,982	S *	4/2019	Horne	D9/418
D852,032	S *	6/2019	Horne	D9/415
2016/0353855	A1	12/2016	Rennette	

* cited by examiner

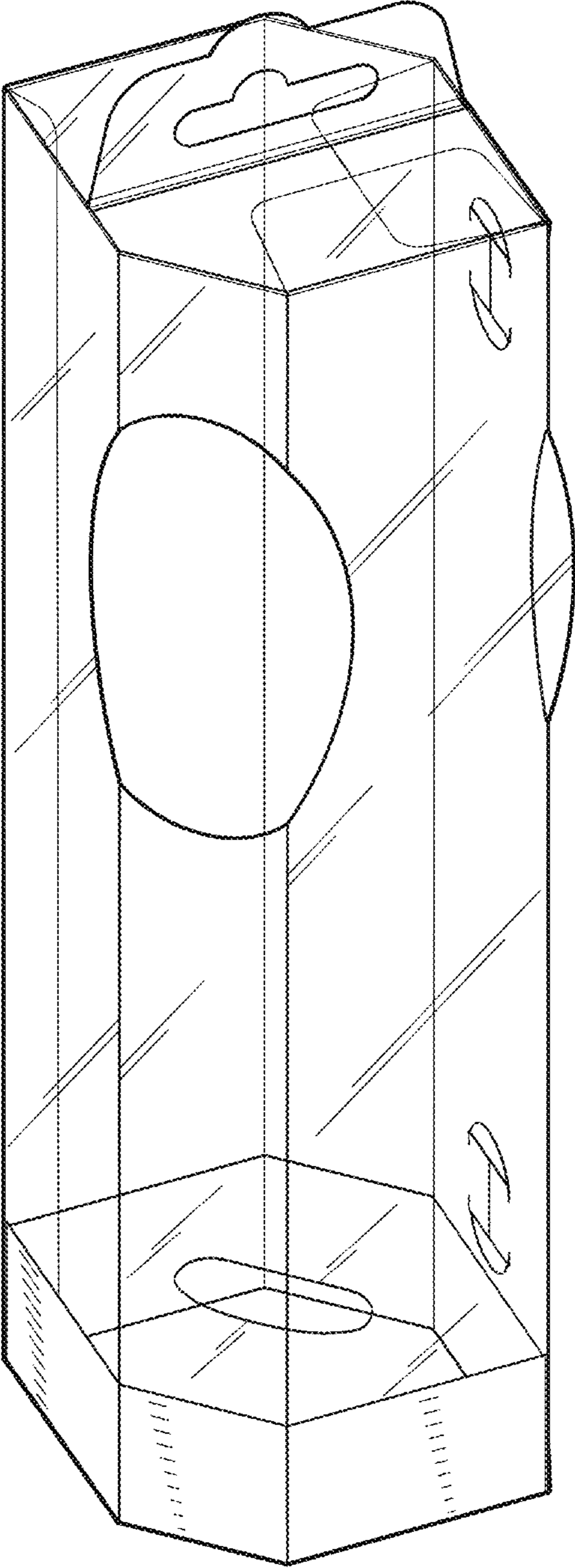


FIG. 1

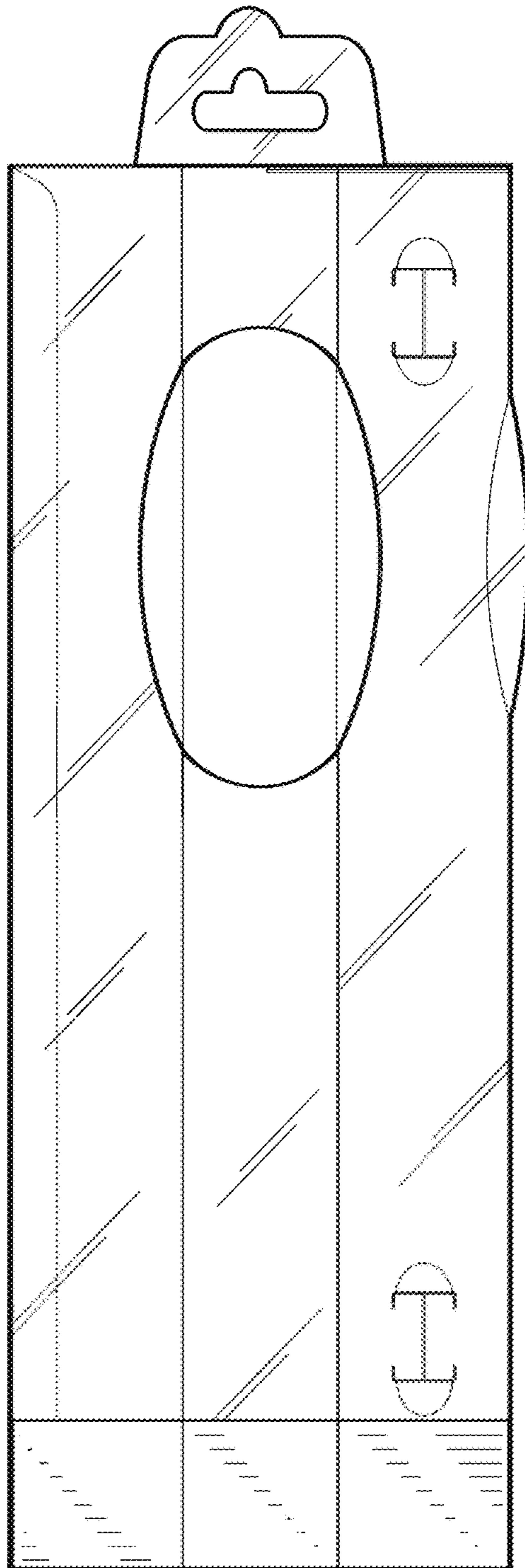


FIG. 2

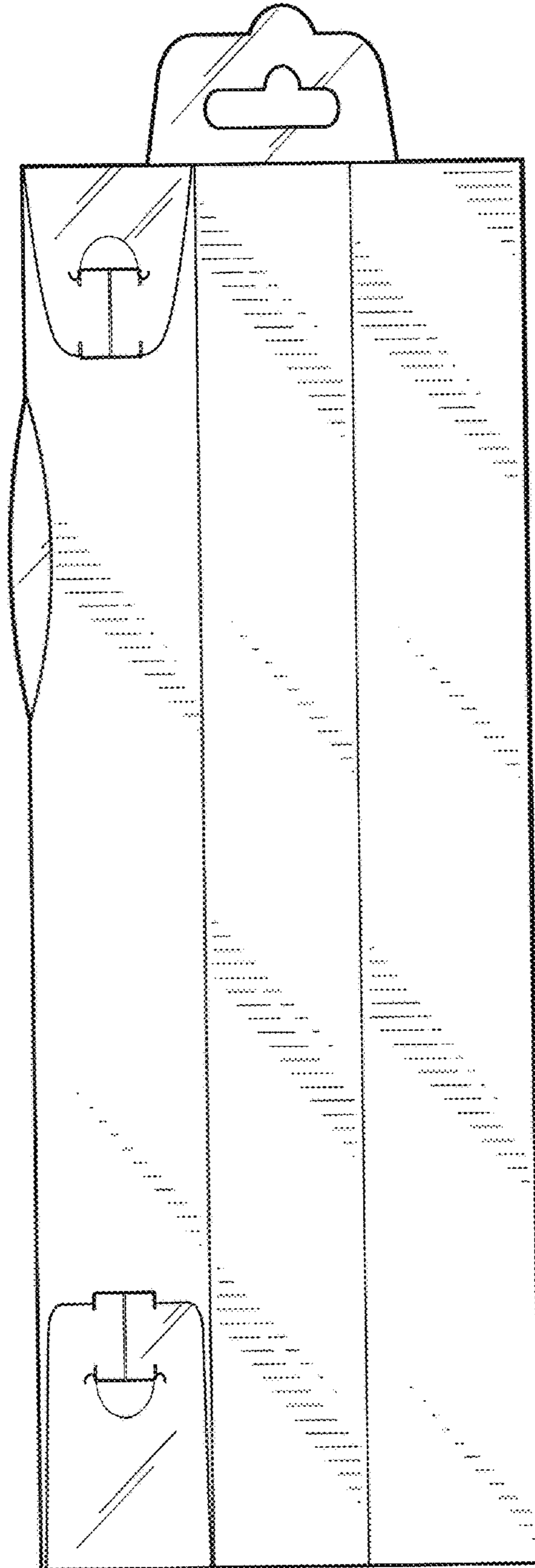


FIG. 3

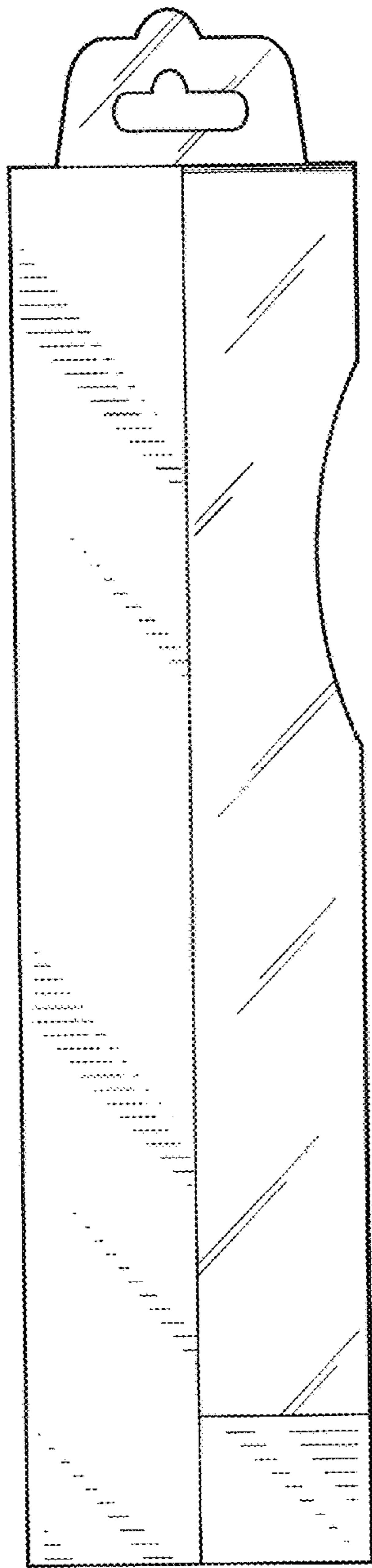


FIG. 4

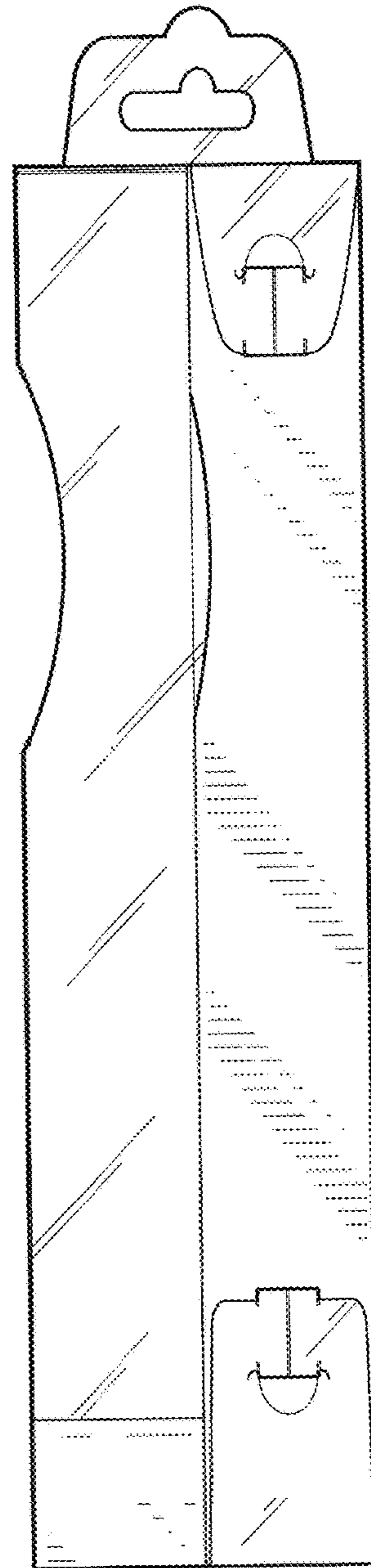


FIG. 5

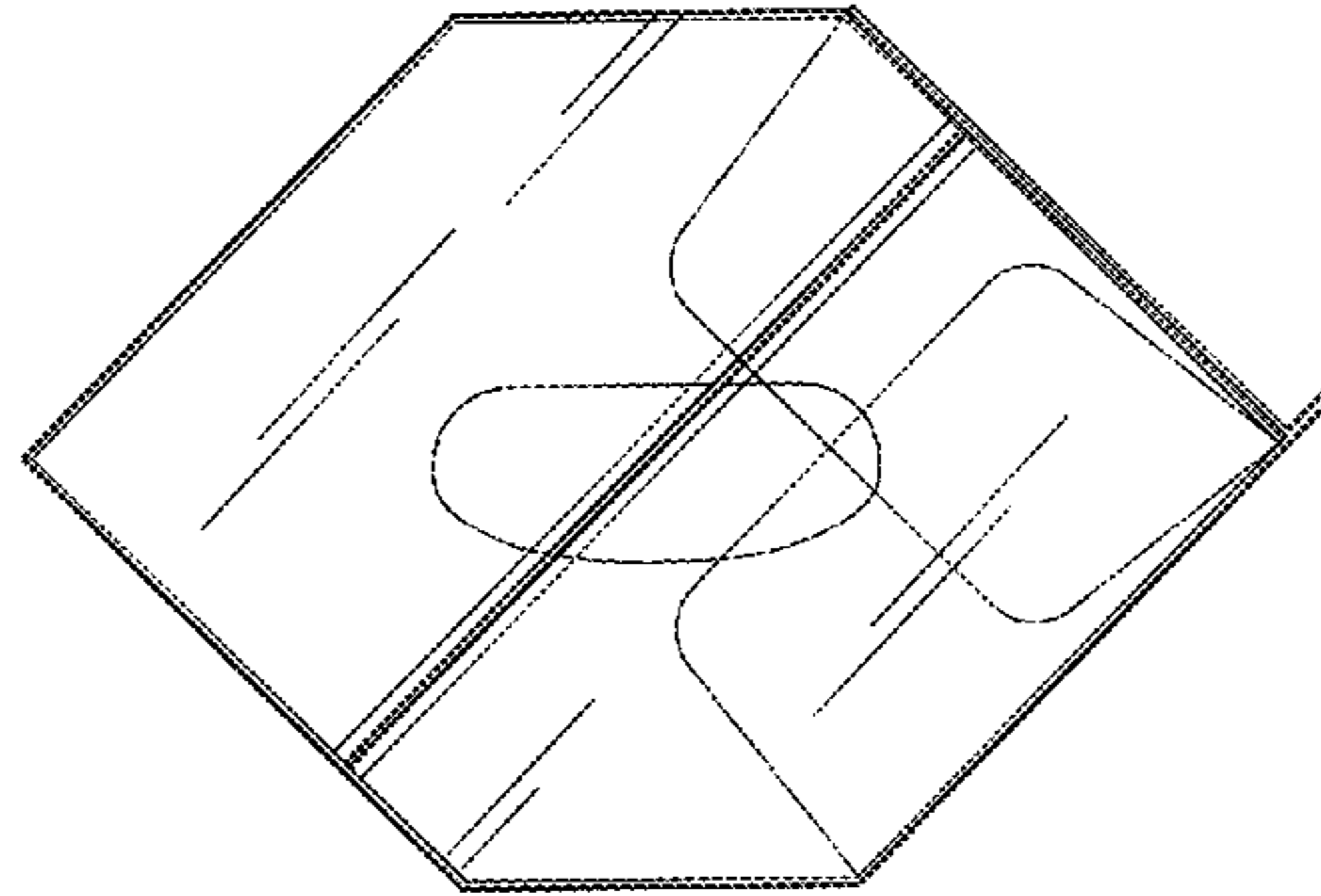


FIG. 6

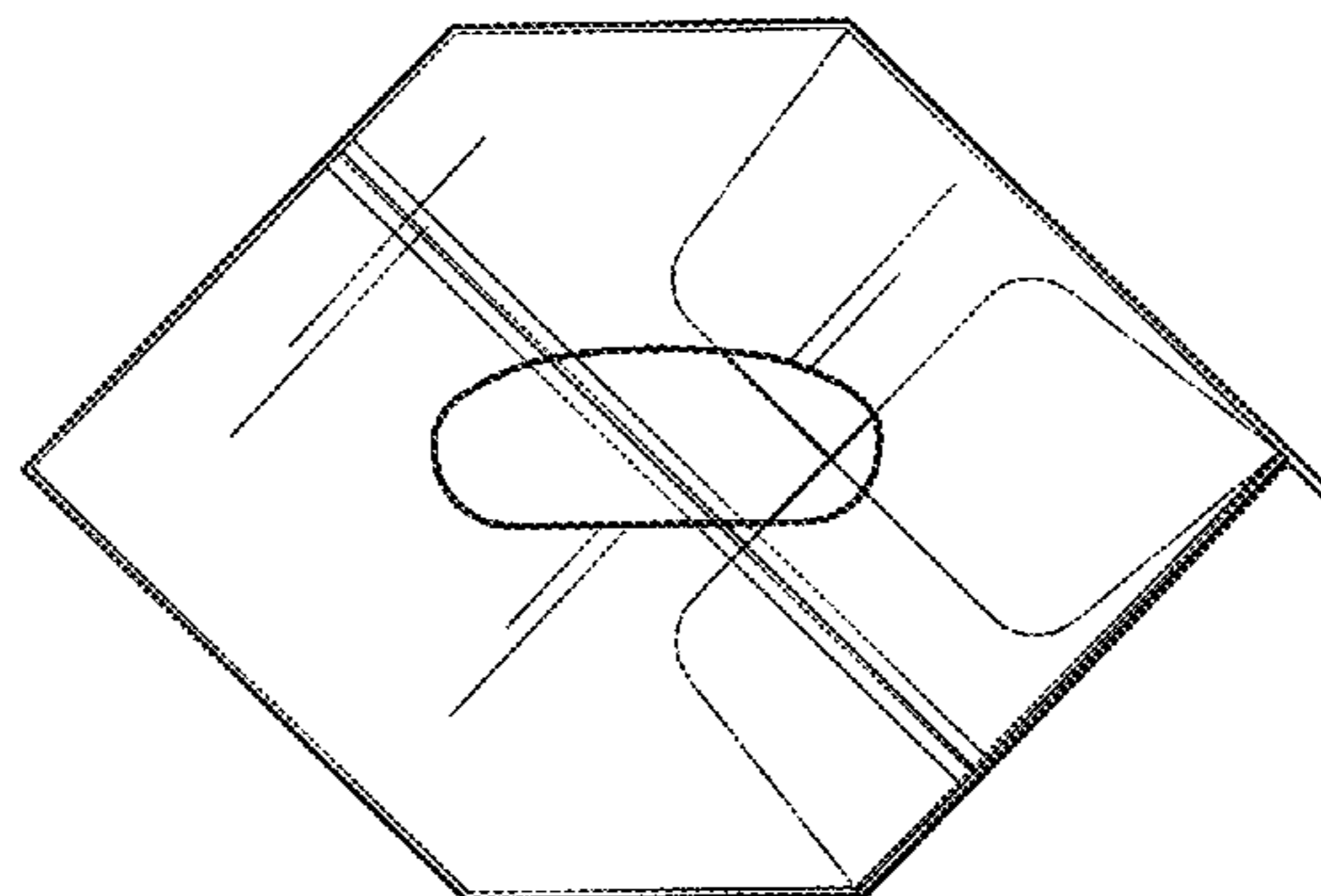


FIG. 7

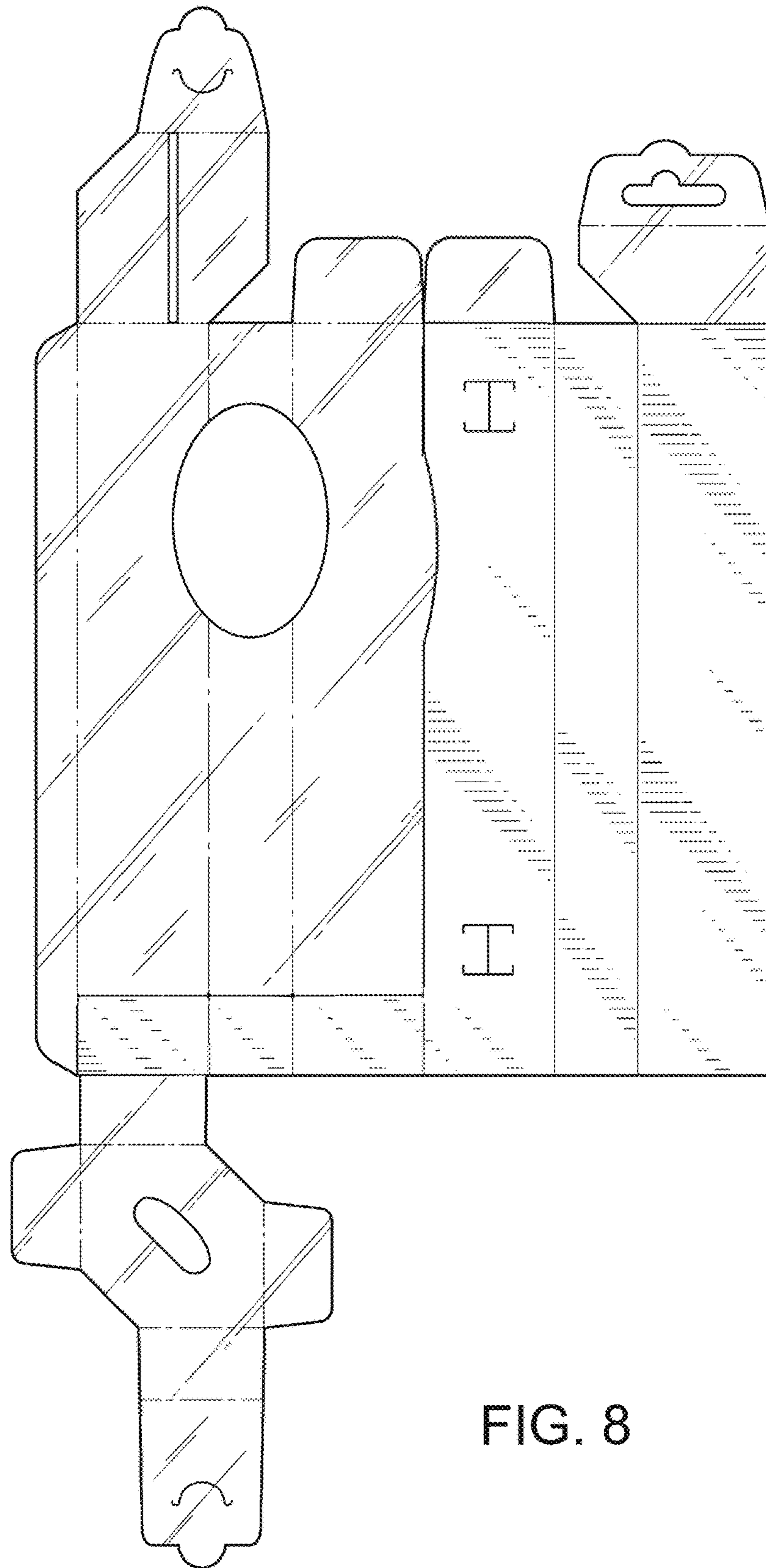


FIG. 8

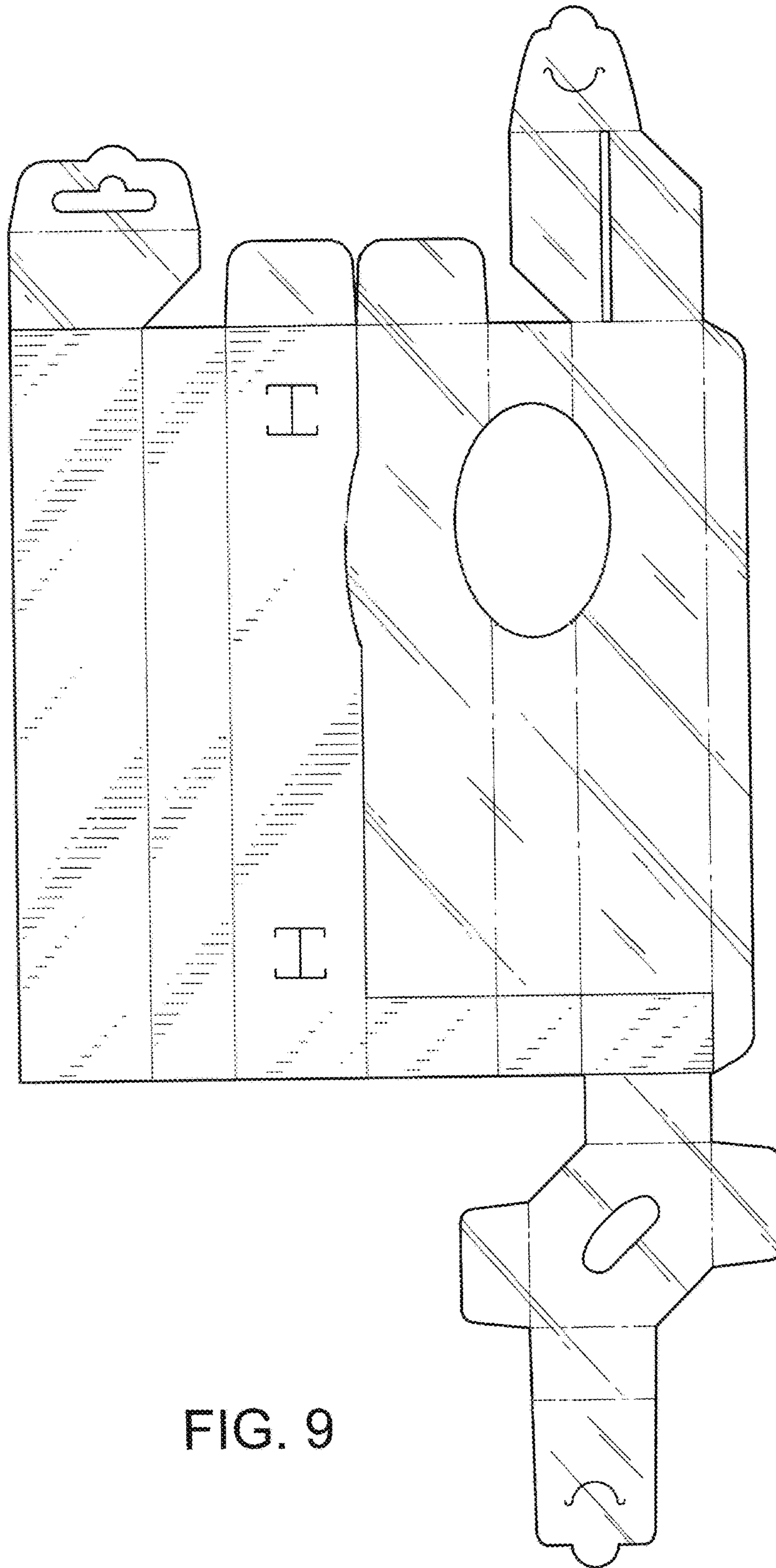


FIG. 9



FIG. 10



FIG. 11