



US00D867865S

(12) **United States Design Patent** (10) **Patent No.:** **US D867,865 S**  
**Ryan et al.** (45) **Date of Patent:** **\*\* Nov. 26, 2019**

(54) **NAIL WITH A HEAD HAVING AN INWARDLY CURVED TOP SURFACE**

FOREIGN PATENT DOCUMENTS

WO WO 2012/098415 7/2012

(71) Applicant: **Illinois Tool Works Inc.**, Glenview, IL (US)

OTHER PUBLICATIONS

(72) Inventors: **Patrick Ryan**, Arlington Heights, IL (US); **Genaro Cortez**, Bolingbrook, IL (US)

Australian Examination Report No. 1 for Australian Application No. 2017201293, dated Mar. 29, 2018 (5 pages).

(Continued)

(73) Assignee: **Illinois Tool Works Inc.**, Glenview, IL (US)

*Primary Examiner* — Sandra S Snapp

*Assistant Examiner* — Ieisha N Price

(\*\*) Term: **15 Years**

(74) *Attorney, Agent, or Firm* — Neal, Gerber & Eisenberg LLP

(21) Appl. No.: **29/674,116**

(22) Filed: **Dec. 19, 2018**

(57) **CLAIM**

**Related U.S. Application Data**

The ornamental design for a nail with a head having an inwardly curved top surface, as shown and described.

(60) Division of application No. 29/645,030, filed on Apr. 23, 2018, which is a continuation of application No. 29/594,828, filed on Feb. 22, 2017, now abandoned.

**DESCRIPTION**

(51) **LOC (12) Cl.** ..... **08-08**

(52) **U.S. Cl.**  
USPC ..... **D8/382**

(58) **Field of Classification Search**  
USPC ..... D8/349, 382, 387, 385, 388, 391, 393  
CPC ..... F16B 15/00; F16B 15/06; F16B 23/00;  
F16B 23/0061; F16B 23/0007; F16B  
25/0036; F16B 35/04; F16B 35/06; F16B  
35/041  
See application file for complete search history.

This application is related to the following commonly owned co-pending patent application: U.S. application Ser. No. 15/439,884, entitled "Nail With a Head Having an Inwardly Curved Top Surface."

FIG. 1 is a top-perspective view of a nail with a head having an inwardly curved top surface of our new design.

FIG. 2 is a front-side-elevational view of the nail with a head having an inwardly curved top surface of FIG. 1, the back-side-, right-side-, and left-side-elevational views being identical thereto.

(56) **References Cited**

U.S. PATENT DOCUMENTS

D10,057 S 6/1877 Krickl  
257,351 A \* 5/1882 Lubin ..... A44B 1/28  
24/711.2  
348,126 A \* 8/1886 Jones ..... F16B 15/06  
411/453

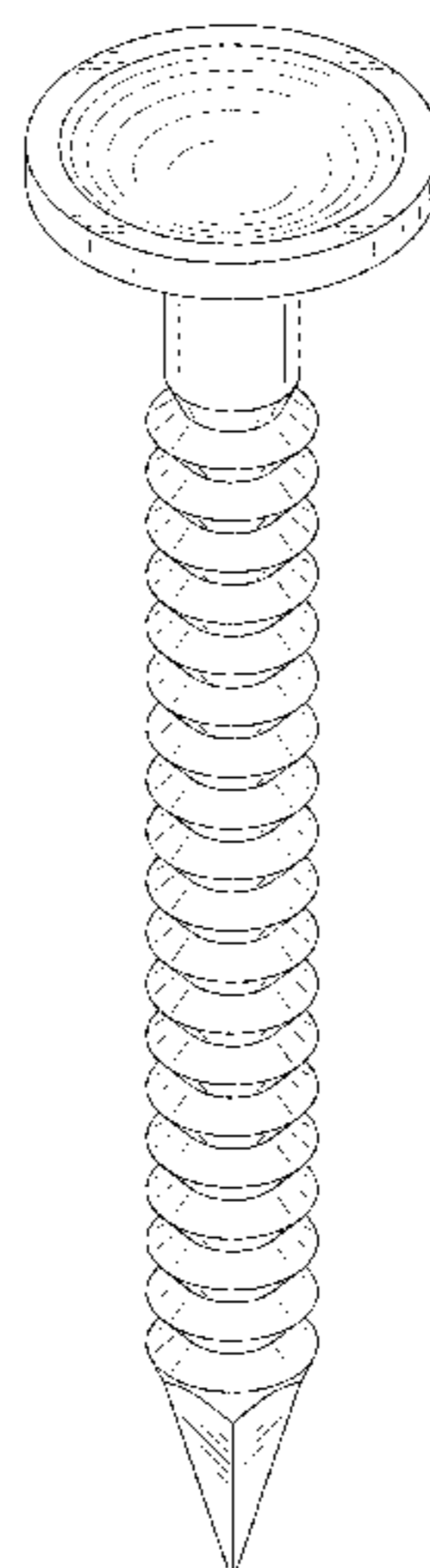
FIG. 3 is a top-plan view of the nail with a head having an inwardly curved top surface of FIG. 1.

FIG. 4 is a bottom-plan view of the nail with a head having an inwardly curved top surface of FIG. 1; and,

FIG. 5 is a cross-sectional-front-side-elevational view of the nail with a head having an inwardly curved top surface of FIG. 1 taken along line 5-5 of FIG. 3.

(Continued)

**1 Claim, 2 Drawing Sheets**



(56)

References Cited

U.S. PATENT DOCUMENTS

|               |         |              |       |              |                   |         |                  |                  |
|---------------|---------|--------------|-------|--------------|-------------------|---------|------------------|------------------|
| 364,302 A *   | 6/1887  | Rogers       | ..... | F16B 15/06   | 4,516,780 A       | 5/1985  | Tabet            |                  |
|               |         |              |       | 411/394      | 4,588,152 A       | 5/1986  | Ruehl et al.     |                  |
| 364,439 A *   | 6/1887  | Rogers       | ..... | F16B 15/06   | 4,687,393 A       | 8/1987  | Thompson         |                  |
|               |         |              |       | 411/455      | 4,781,508 A       | 11/1988 | Schroeder et al. |                  |
| 368,687 A *   | 8/1887  | Rogers       | ..... | F16B 15/06   | 4,927,309 A       | 5/1990  | Sygnator         |                  |
|               |         |              |       | 411/455      | 5,178,503 A       | 1/1993  | Losada           |                  |
| D18,491 S     | 7/1888  | Jones        |       |              | 5,188,496 A       | 2/1993  | Giannuzzi        |                  |
| 398,260 A     | 2/1889  | Husted       |       |              | 5,329,653 A       | 7/1994  | Hultgren         |                  |
| 410,698 A     | 9/1889  | Rogers       |       |              | 5,391,029 A       | 2/1995  | Fardell          |                  |
| 1,375,633 A * | 4/1921  | Hamilton     | ..... | F16B 15/02   | 5,562,376 A       | 10/1996 | Fischer          |                  |
|               |         |              |       | 411/447      | 5,571,055 A *     | 11/1996 | Lewis            | ..... A63B 57/15 |
| 1,428,247 A * | 9/1922  | Morris       | ..... | F16B 15/0092 |                   |         |                  | 473/398          |
|               |         |              |       | 411/455      | 5,709,332 A       | 1/1998  | Coop             |                  |
| 1,497,859 A   | 6/1924  | Lilly        |       |              | D482,086 S        | 11/2003 | Metz             |                  |
| 1,591,810 A   | 7/1926  | Dobbs        |       |              | 6,789,989 B2      | 9/2004  | Walther          |                  |
| 1,623,465 A   | 4/1927  | Curtis       |       |              | D517,622 S        | 3/2006  | Barouh           |                  |
| 1,625,911 A   | 4/1927  | Richards     |       |              | D572,323 S *      | 7/2008  | Merullo          | ..... D21/718    |
| 1,656,333 A   | 1/1928  | Lund         |       |              | D614,942 S        | 5/2010  | Gaudron          |                  |
| 1,751,800 A   | 3/1930  | Dickson      |       |              | D637,071 S        | 5/2011  | Gaudron          |                  |
| 1,801,077 A   | 4/1931  | Gentry       |       |              | 8,740,956 B2      | 6/2014  | Smith            |                  |
| D101,973 S    | 11/1936 | Schuster     |       |              | D733,547 S        | 7/2015  | Mazur            |                  |
| 2,086,086 A   | 7/1937  | Lassonde     |       |              | 2003/0024194 A1   | 2/2003  | Schmid           |                  |
| 2,093,610 A * | 9/1937  | Kraemer      | ..... | F16B 15/06   | 2004/0047713 A1   | 3/2004  | Jung             |                  |
|               |         |              |       | 411/455      | 2007/0025829 A1 * | 2/2007  | Sutt, Jr.        | ..... F16B 15/06 |
| 2,126,585 A * | 8/1938  | Stone        | ..... | F16B 15/06   |                   |         |                  | 411/455          |
|               |         |              |       | 411/455      | 2008/0019798 A1   | 1/2008  | Lee              |                  |
| 2,317,231 A   | 4/1943  | Swedman      |       |              | 2008/0175689 A1   | 7/2008  | Vagedes          |                  |
| 2,353,110 A   | 7/1944  | Camp         |       |              | 2009/0155021 A1   | 6/2009  | Versino et al.   |                  |
| 2,558,379 A   | 6/1951  | Phipard, Jr. |       |              | 2009/0290957 A1 * | 11/2009 | Ho               | ..... F16B 15/00 |
| 2,864,276 A * | 12/1958 | Parker       | ..... | F16B 15/02   |                   |         |                  | 411/490          |
|               |         |              |       | 411/481      | 2011/0182695 A1   | 7/2011  | Beck             |                  |
| D188,950 S    | 10/1960 | Miller       |       |              | 2013/0174629 A1 * | 7/2013  | Kim              | ..... B21H 3/065 |
| 3,009,382 A   | 11/1961 | Salka        |       |              |                   |         |                  | 72/250           |
| D197,188 S    | 12/1963 | Anderson     |       |              | 2015/0071734 A1   | 3/2015  | Vallejo          |                  |
| 3,112,667 A   | 12/1963 | Brentlinger  |       |              | 2016/0186793 A1   | 6/2016  | Walworth et al.  |                  |
| D211,661 S *  | 7/1968  | Holub        | ..... | D8/392       | 2016/0278834 A1   | 9/2016  | Bayer et al.     |                  |
| 3,459,095 A   | 8/1969  | Luciano      |       |              | 2016/0312814 A1 * | 10/2016 | Gabriel          | ..... F16B 15/06 |
| 3,606,344 A   | 9/1971  | Ball         |       |              | 2017/0030392 A1   | 2/2017  | Taneichi         |                  |
| D233,018 S    | 10/1974 | Strayer      |       |              | 2017/0030394 A1 * | 2/2017  | Zimmerman        | ..... F16B 15/06 |
| 3,861,527 A * | 1/1975  | Perkins      | ..... | F16B 15/02   | 2017/0129196 A1   | 5/2017  | Zhu et al.       |                  |
|               |         |              |       | 206/344      | 2017/0298974 A1 * | 10/2017 | Sutt, Jr.        | ..... F16B 15/06 |
| 3,921,496 A * | 11/1975 | Helderman    | ..... | F16B 13/126  | 2018/0142723 A1   | 5/2018  | Craven, Jr.      |                  |
|               |         |              |       | 411/17       |                   |         |                  |                  |
| 3,922,828 A * | 12/1975 | Patton       | ..... | E04C 3/29    |                   |         |                  |                  |
|               |         |              |       | 52/309.2     |                   |         |                  |                  |
| 4,011,785 A   | 3/1977  | Schrepferman |       |              |                   |         |                  |                  |

OTHER PUBLICATIONS

International Search Report and Written Opinion for International Application No. PCT/US2018/012924, dated May 28, 2018 (11 pages).

\* cited by examiner

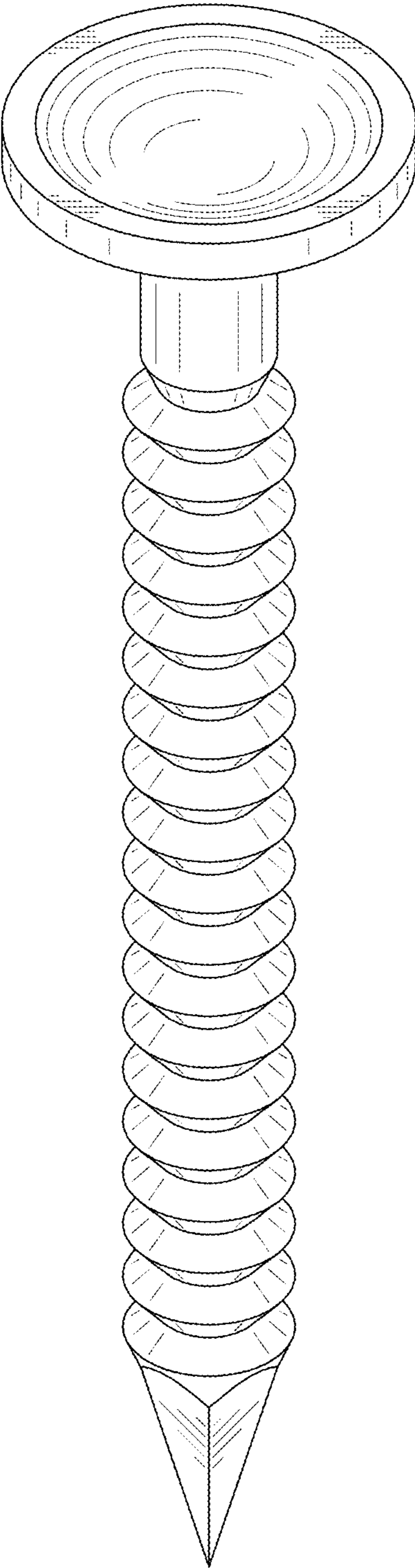


FIG. 1

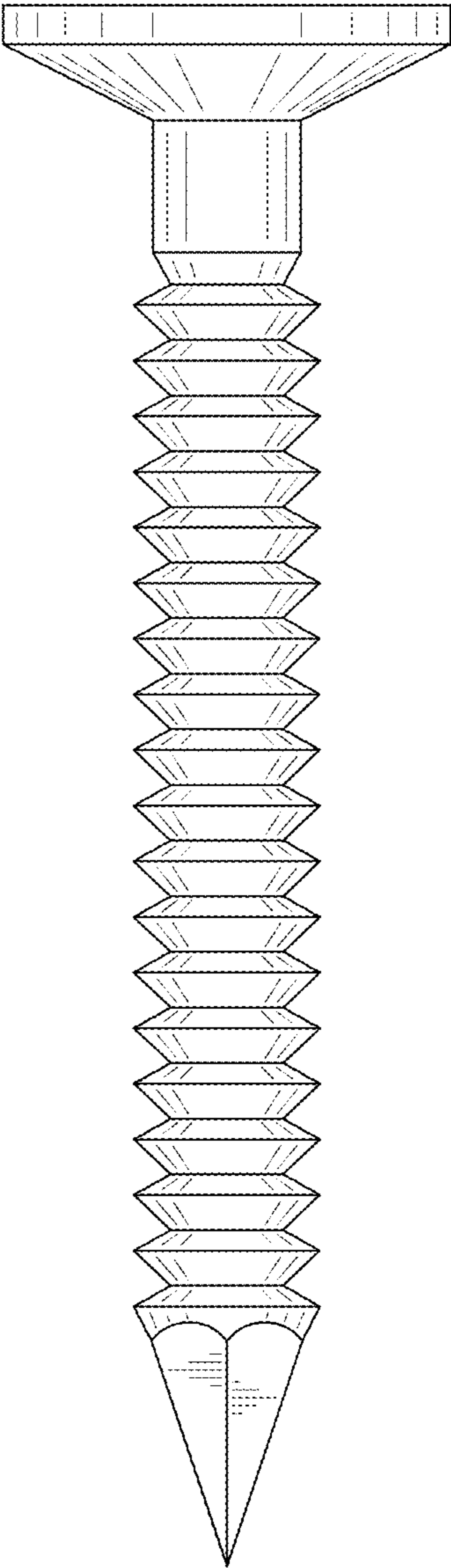


FIG. 2

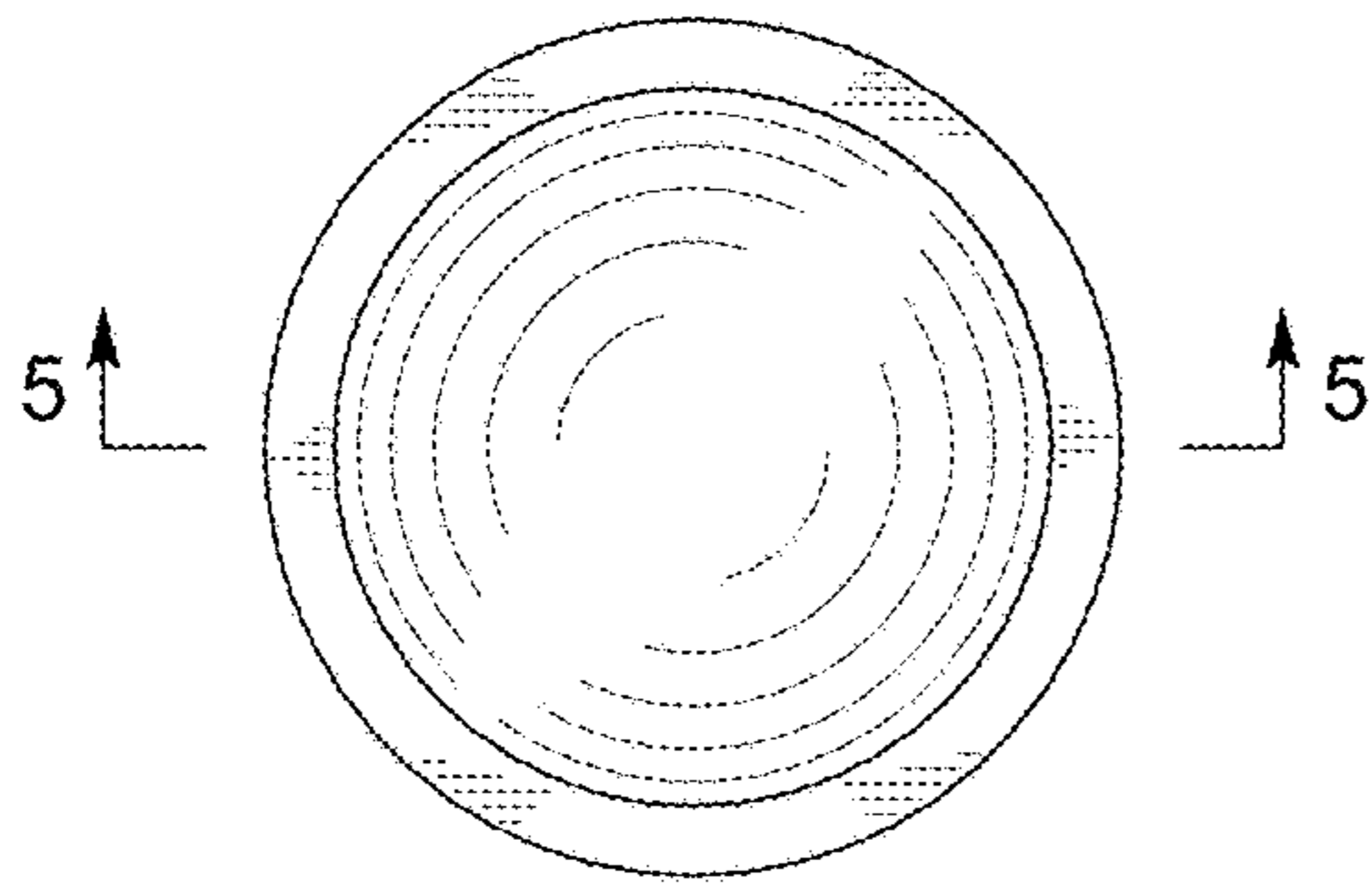


FIG. 3

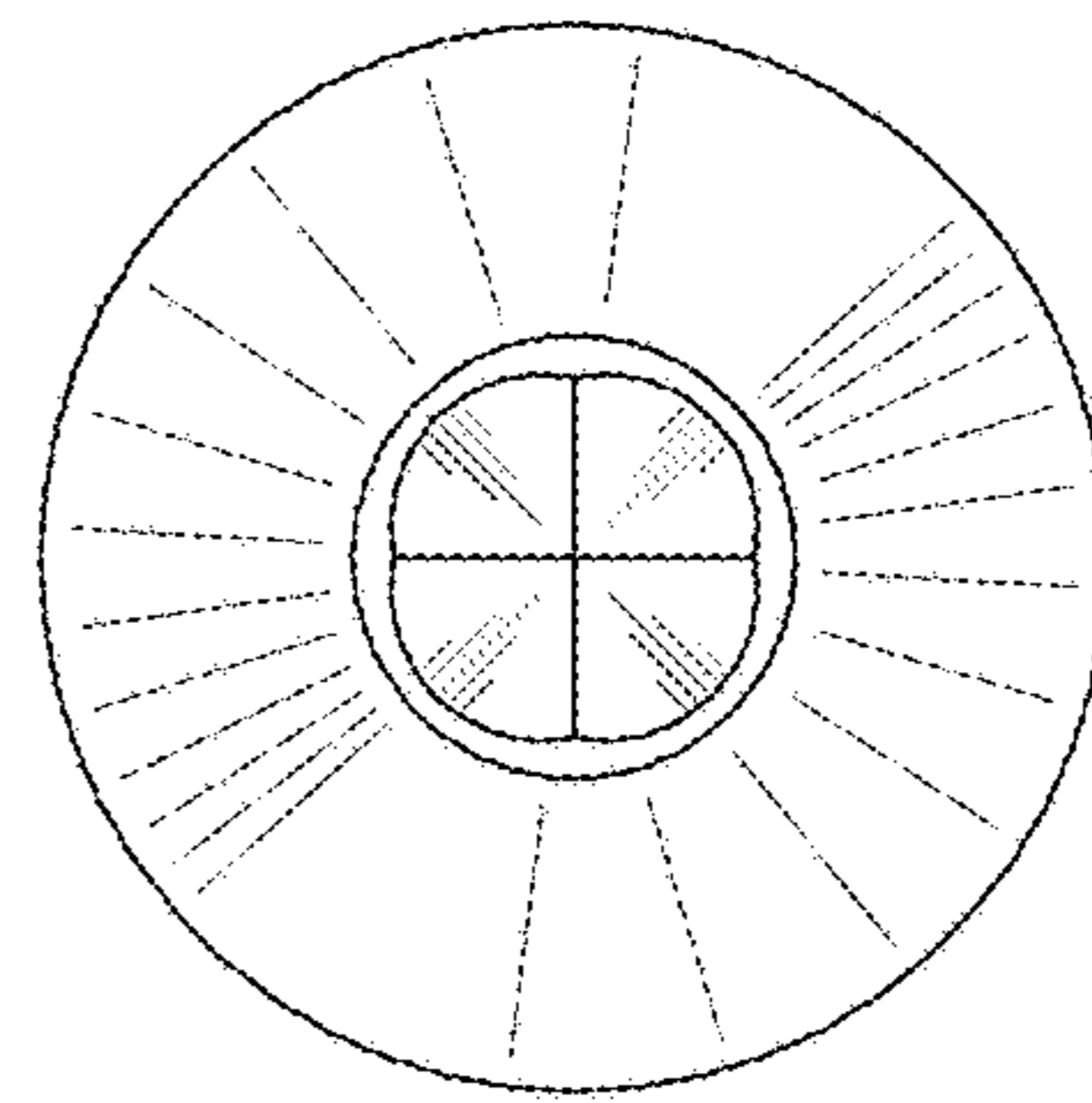


FIG. 4

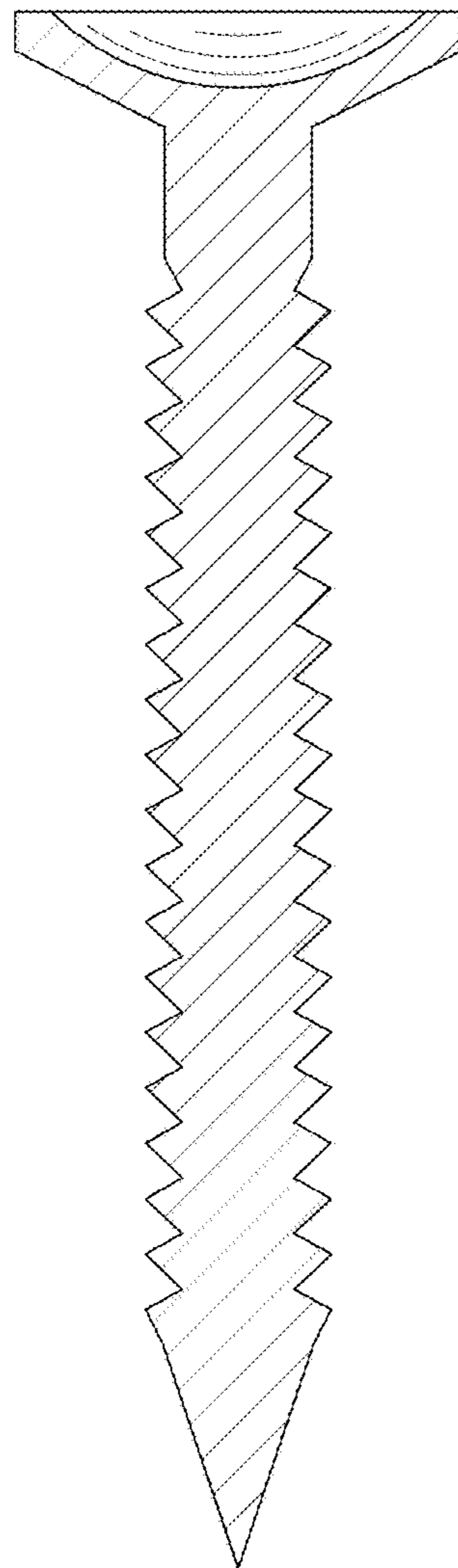


FIG. 5