

US00D867863S

(12) **United States Design Patent**
Veilleux et al.

(10) **Patent No.:** **US D867,863 S**

(45) **Date of Patent:** **** Nov. 26, 2019**

(54) **SECURE ROD HOOK**

(71) Applicants: **David Veilleux**, St. George, UT (US);
Pierre Patenaude,
St-Roch-des-Aulnaies (CA)

(72) Inventors: **David Veilleux**, St. George, UT (US);
Pierre Patenaude,
St-Roch-des-Aulnaies (CA)

(73) Assignee: **152310 Canada**, Brossard (CA)

(**) Term: **15 Years**

(21) Appl. No.: **29/659,991**

(22) Filed: **Aug. 14, 2018**

(51) **LOC (12) Cl.** **08-05**

(52) **U.S. Cl.**
USPC **D8/367**

(58) **Field of Classification Search**
USPC D8/367, 356, 354, 349, 18, 105, 368,
D8/397; D11/208, 218; 248/341;
224/217
CPC A45F 5/021; A44B 13/0029; F16B 45/00;
F16M 13/02; A45C 13/03; A47G 1/17
See application file for complete search history.

(56) **References Cited**

U.S. PATENT DOCUMENTS

- D297,877 S * 9/1988 Bergstrom D32/35
- D320,152 S * 9/1991 Schreib D8/367
- 6,363,589 B1 * 4/2002 Calloway F16B 45/02
24/599.1
- D600,100 S * 9/2009 Moncade D8/367
- D626,908 S * 11/2010 Marcaccio D12/345

- D717,617 S * 11/2014 Pascuzzo D8/1
- D722,487 S * 2/2015 Miller D8/356
- D739,212 S * 9/2015 Miller D8/356
- D746,126 S * 12/2015 LeBeau D8/367
- D764,258 S * 8/2016 Miller D8/356
- 9,439,529 B1 * 9/2016 Libertowski E06B 7/28
- D798,695 S * 10/2017 Davison D8/367
- D843,814 S * 3/2019 Cariano D8/356
- D849,517 S * 5/2019 Crawford D8/367
- D849,518 S * 5/2019 Crawford D8/367

* cited by examiner

Primary Examiner — Cynthia R Underwood

(74) *Attorney, Agent, or Firm* — James A. Italia; Italia IP

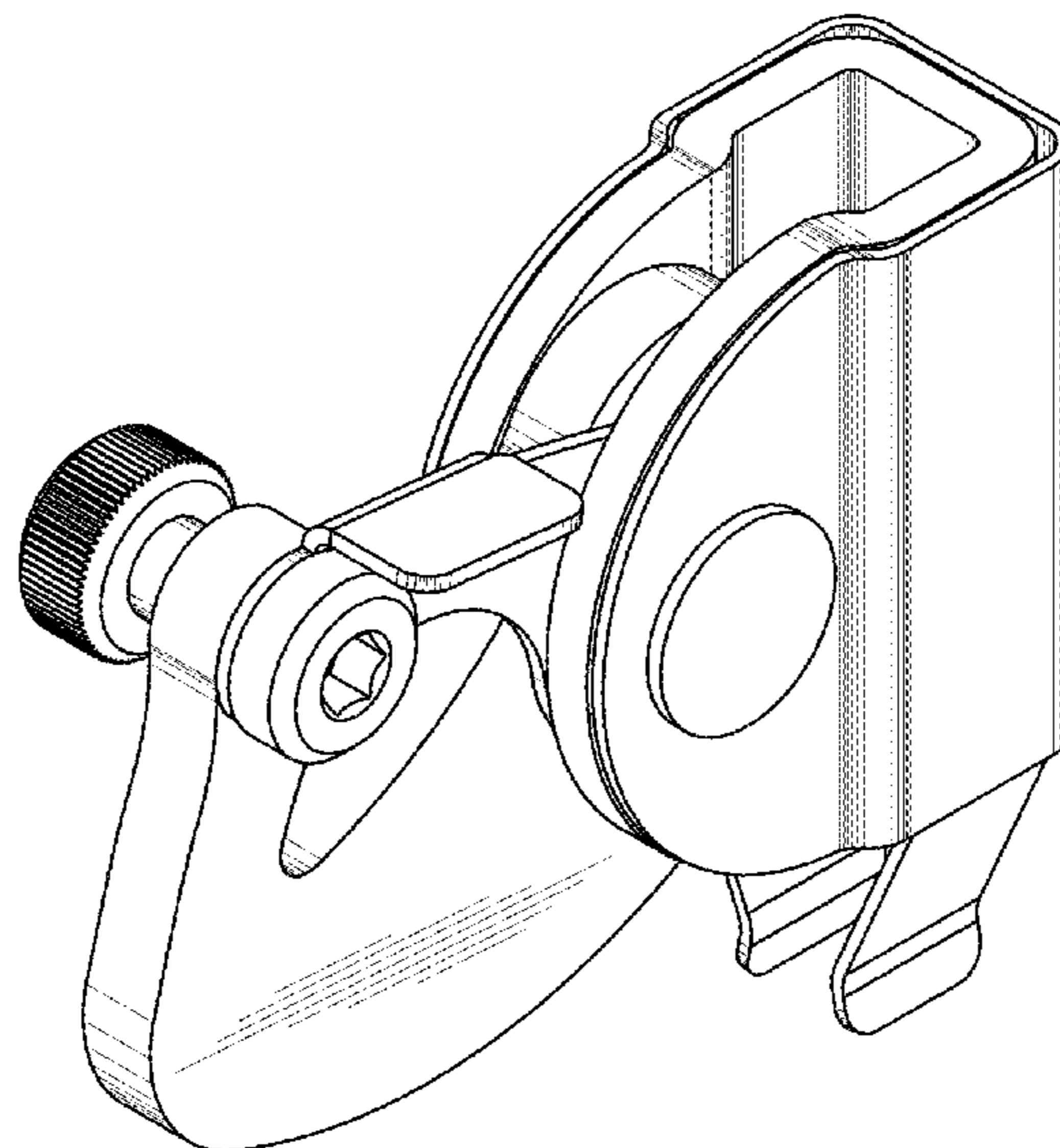
(57) **CLAIM**

The ornamental design for a secure rod hook, as shown and described.

DESCRIPTION

FIG. 1 is a perspective view of a secure rod hook, showing our new design;
 FIG. 2 is a front elevational view of the invention shown in FIG. 1;
 FIG. 3 is a rear elevational view of the invention shown in FIG. 1;
 FIG. 4 is a right-side elevational view of the invention shown in FIG. 1;
 FIG. 5 is a left-side elevational view of the invention shown in FIG. 1;
 FIG. 6 is a top plan view of the invention shown in FIG. 1;
 and,
 FIG. 7 bottom plan view of the invention shown in FIG. 1.

1 Claim, 4 Drawing Sheets



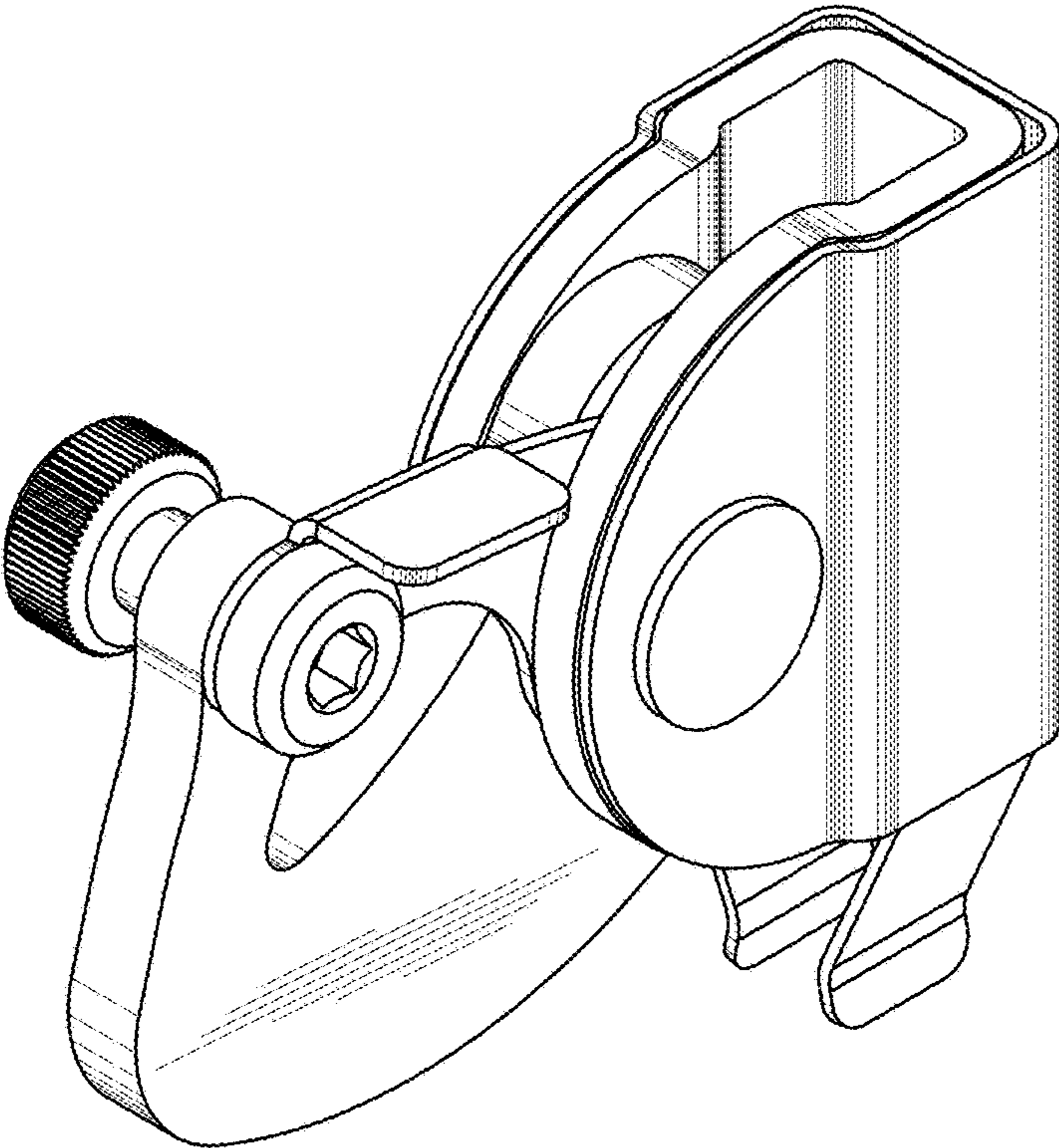


FIG. 1

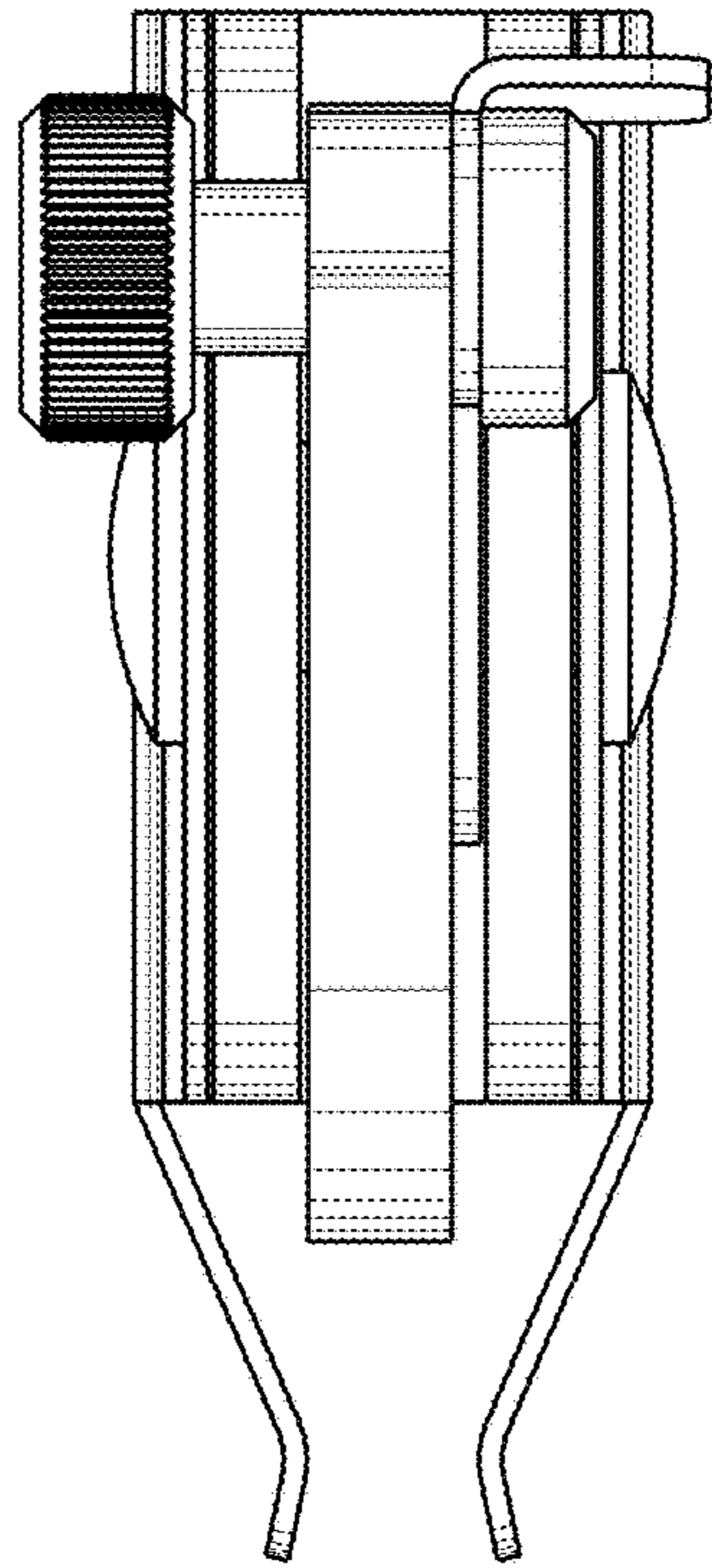


FIG. 2

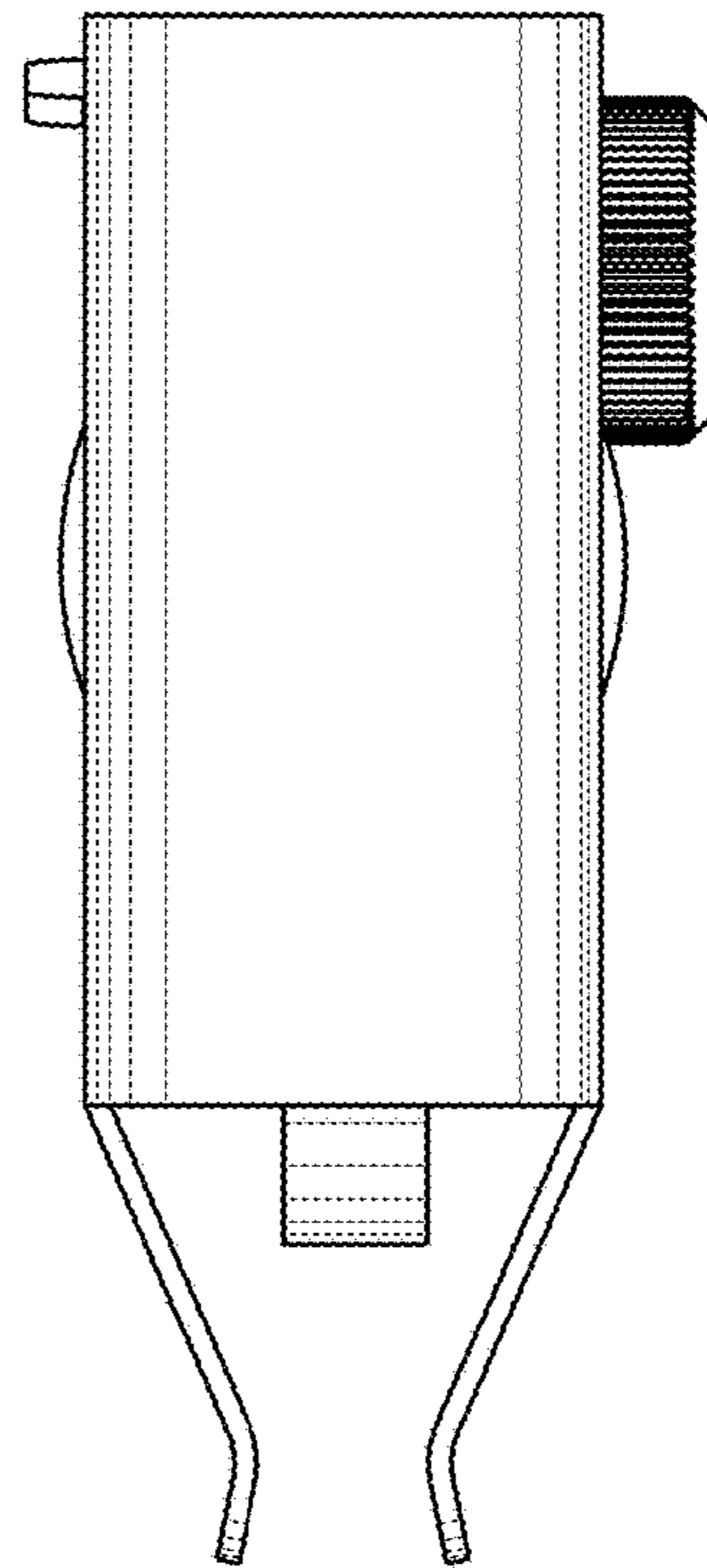
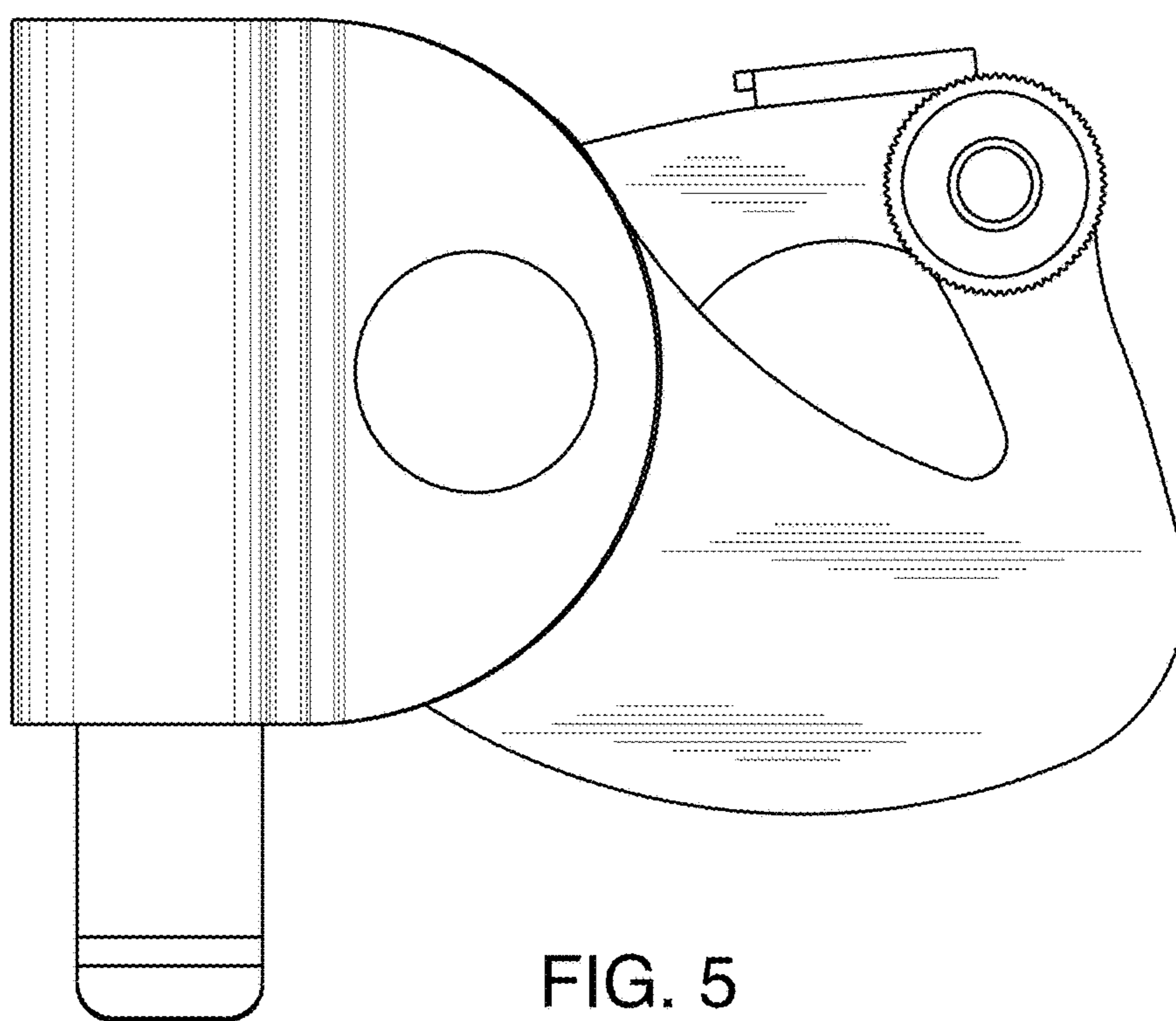
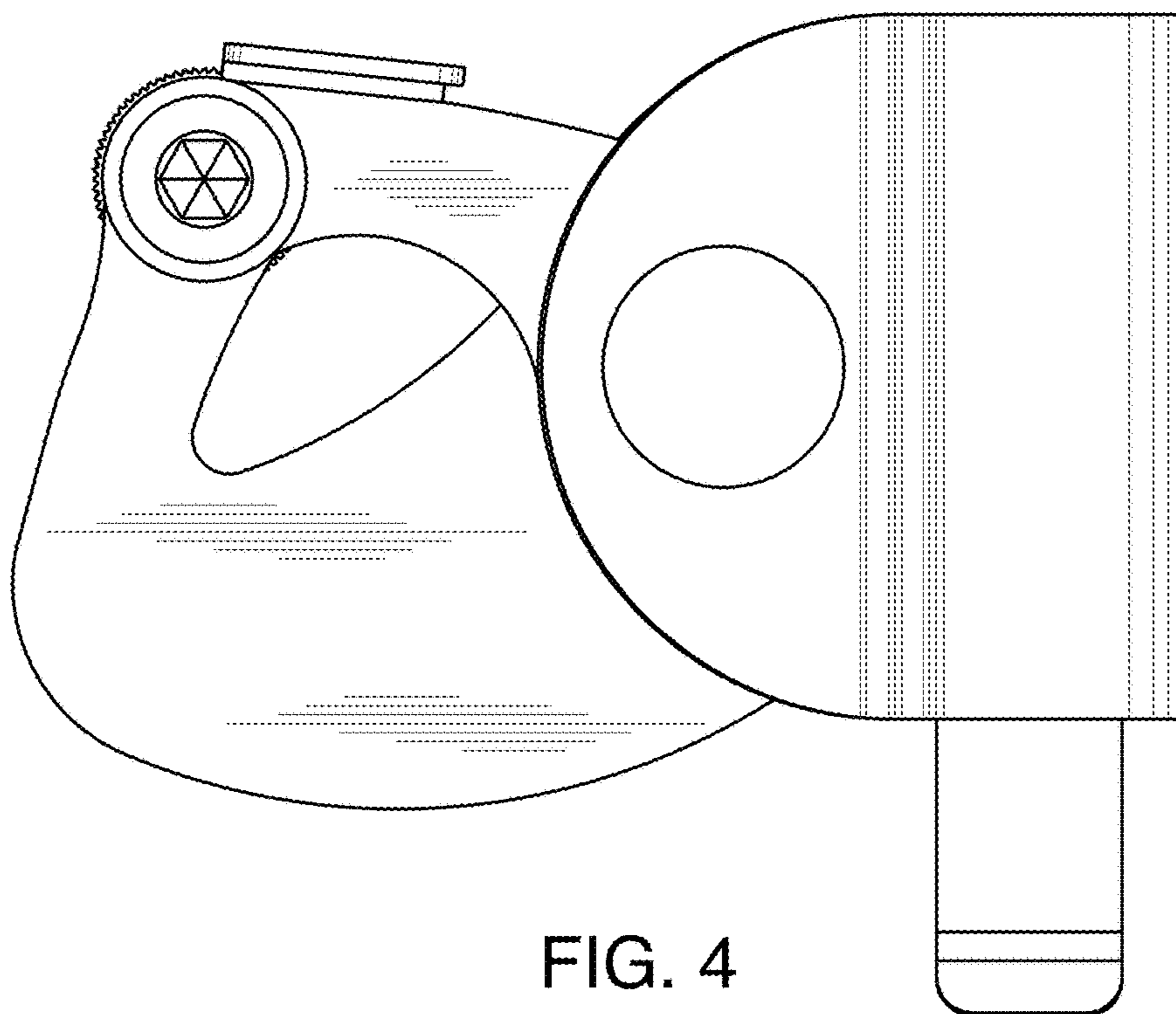


FIG. 3



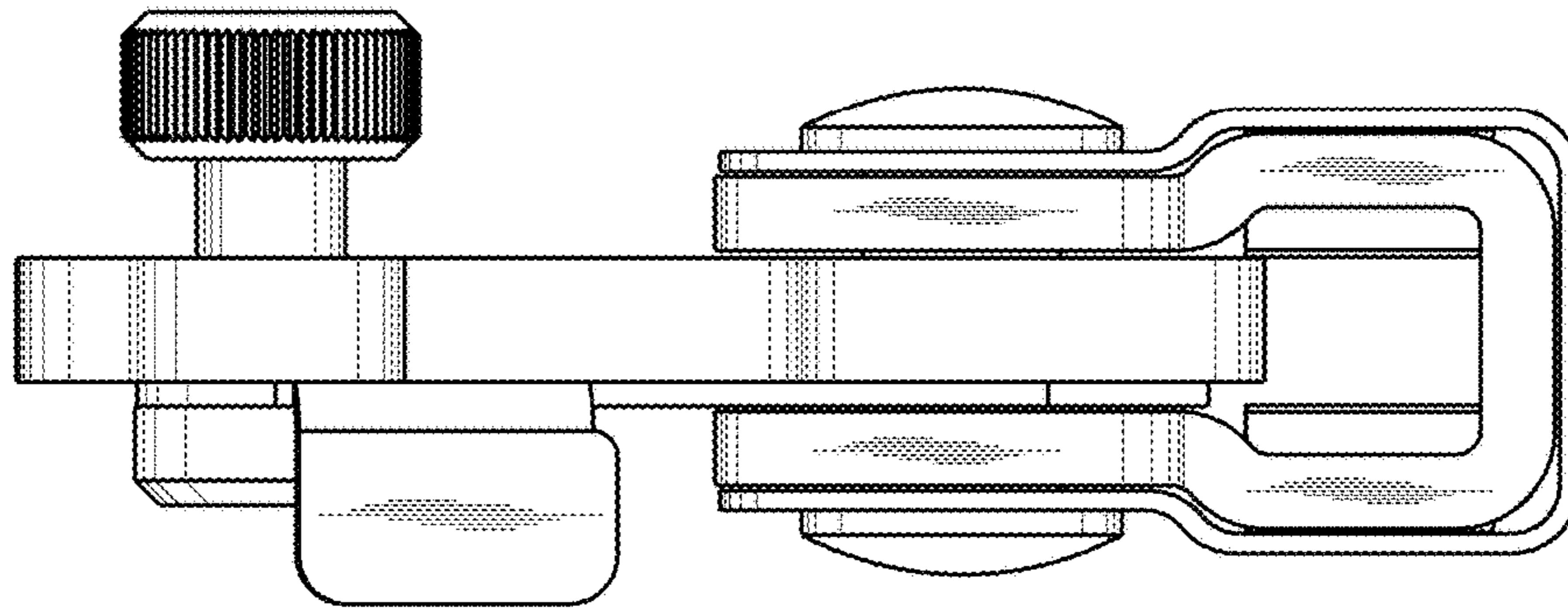


FIG. 6

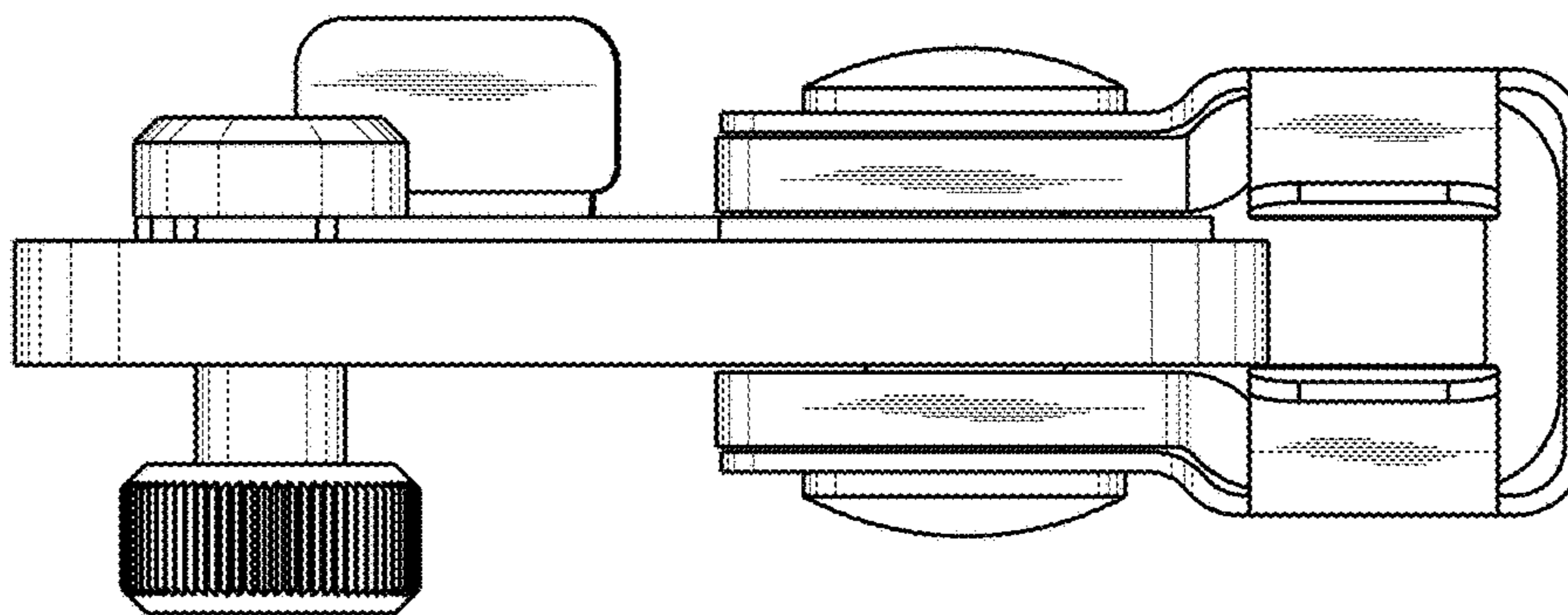


FIG. 7