

US00D867862S

(12) **United States Design Patent** (10) **Patent No.:** **US D867,862 S**  
**Veilleux et al.** (45) **Date of Patent:** **\*\* Nov. 26, 2019**

(54) **ROD HOOK**  
(71) Applicants: **David Veilleux**, St. George, UT (US);  
**Pierre Patenaude**,  
St-Roch-des-Aulnaies (CA)  
(72) Inventors: **David Veilleux**, St. George, UT (US);  
**Pierre Patenaude**,  
St-Roch-des-Aulnaies (CA)  
(73) Assignee: **152310 Canada**, Brossard (CA)  
(\*\*) Term: **15 Years**  
(21) Appl. No.: **29/659,989**  
(22) Filed: **Aug. 14, 2018**  
(51) **LOC (12) Cl.** ..... **08-05**  
(52) **U.S. Cl.**  
USPC ..... **D8/367**  
(58) **Field of Classification Search**  
USPC ..... D8/367, 356, 354, 349, 18, 105, 368,  
D8/397; D11/208, 218; 248/341;  
224/217  
CPC ..... A45F 5/021; A44B 13/0029; F16B 45/00;  
F16M 13/02; A45C 13/03; A47G 1/17  
See application file for complete search history.

(56) **References Cited**  
U.S. PATENT DOCUMENTS  
D297,877 S \* 9/1988 Bergstrom ..... D32/35  
D320,152 S \* 9/1991 Schreib ..... D8/367  
6,363,589 B1 \* 4/2002 Calloway ..... F16B 45/02  
24/599.1  
D600,100 S \* 9/2009 Moncade ..... D8/367  
D626,908 S \* 11/2010 Marcaccio ..... D12/345

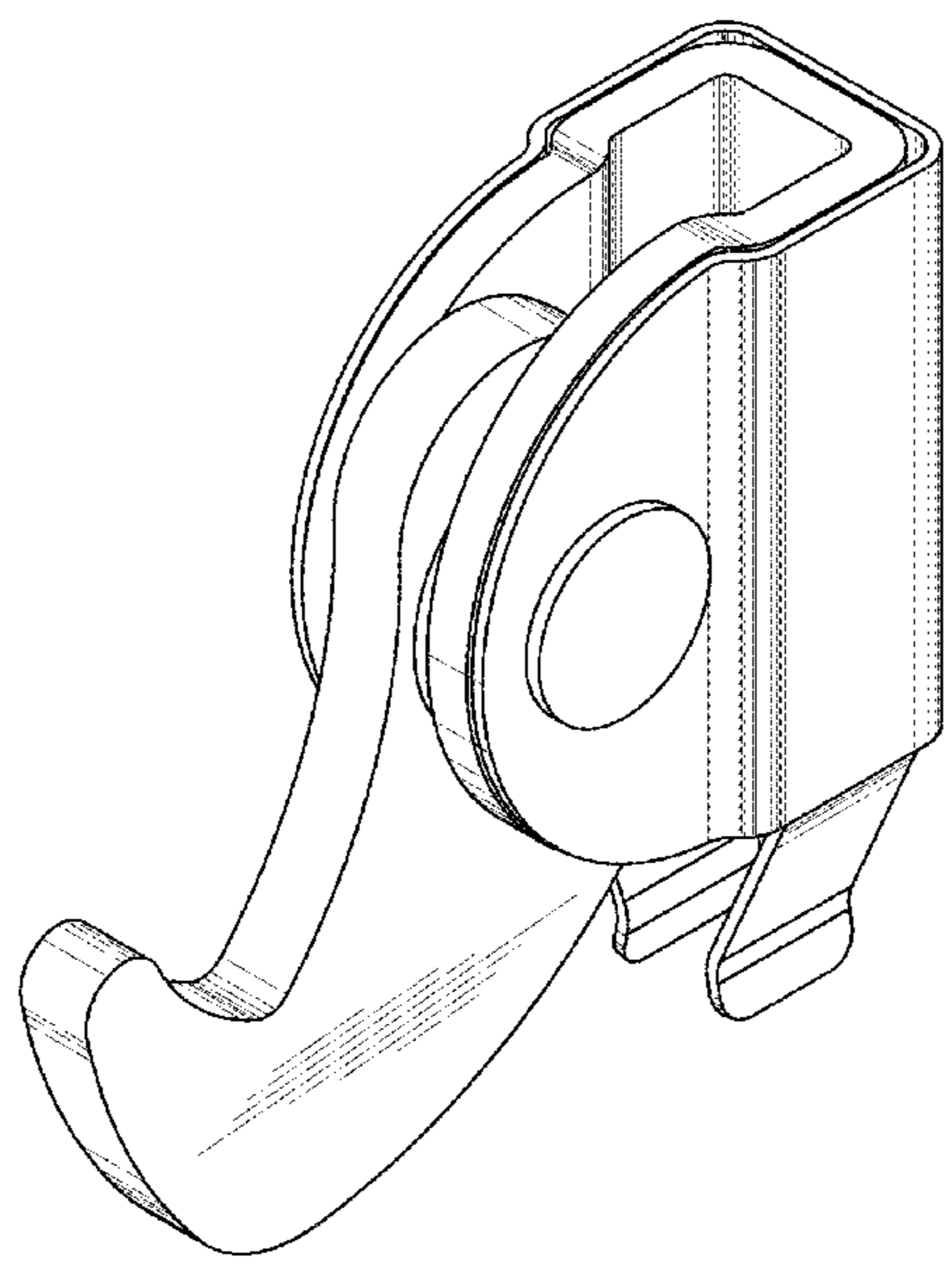
D717,617 S \* 11/2014 Pascuzzo ..... D8/1  
D722,487 S \* 2/2015 Miller ..... D8/356  
D739,212 S \* 9/2015 Miller ..... D8/356  
D746,126 S \* 12/2015 LeBeau ..... D8/367  
D764,258 S \* 8/2016 Miller ..... D8/356  
9,439,529 B1 \* 9/2016 Libertowski ..... E06B 7/28  
D798,695 S \* 10/2017 Davison ..... D8/367  
D843,814 S \* 3/2019 Cariano ..... D8/356  
D849,517 S \* 5/2019 Crawford ..... D8/367  
D849,518 S \* 5/2019 Crawford ..... D8/367

\* cited by examiner  
*Primary Examiner* — Cynthia R Underwood  
(74) *Attorney, Agent, or Firm* — James A. Italia; Italia IP

(57) **CLAIM**  
The ornamental design for a rod hook, as shown and described.

**DESCRIPTION**  
FIG. 1 is a perspective view of a rod hook, showing our new design;  
FIG. 2 is a front elevational view of the invention shown in FIG. 1;  
FIG. 3 is a rear elevational view of the invention shown in FIG. 1;  
FIG. 4 is a right-side elevational view of the invention shown in FIG. 1;  
FIG. 5 is a left-side elevational view of the invention shown in FIG. 1;  
FIG. 6 is a top plan view of the invention shown in FIG. 1; and,  
FIG. 7 bottom plan view of the invention shown in FIG. 1.

**1 Claim, 4 Drawing Sheets**



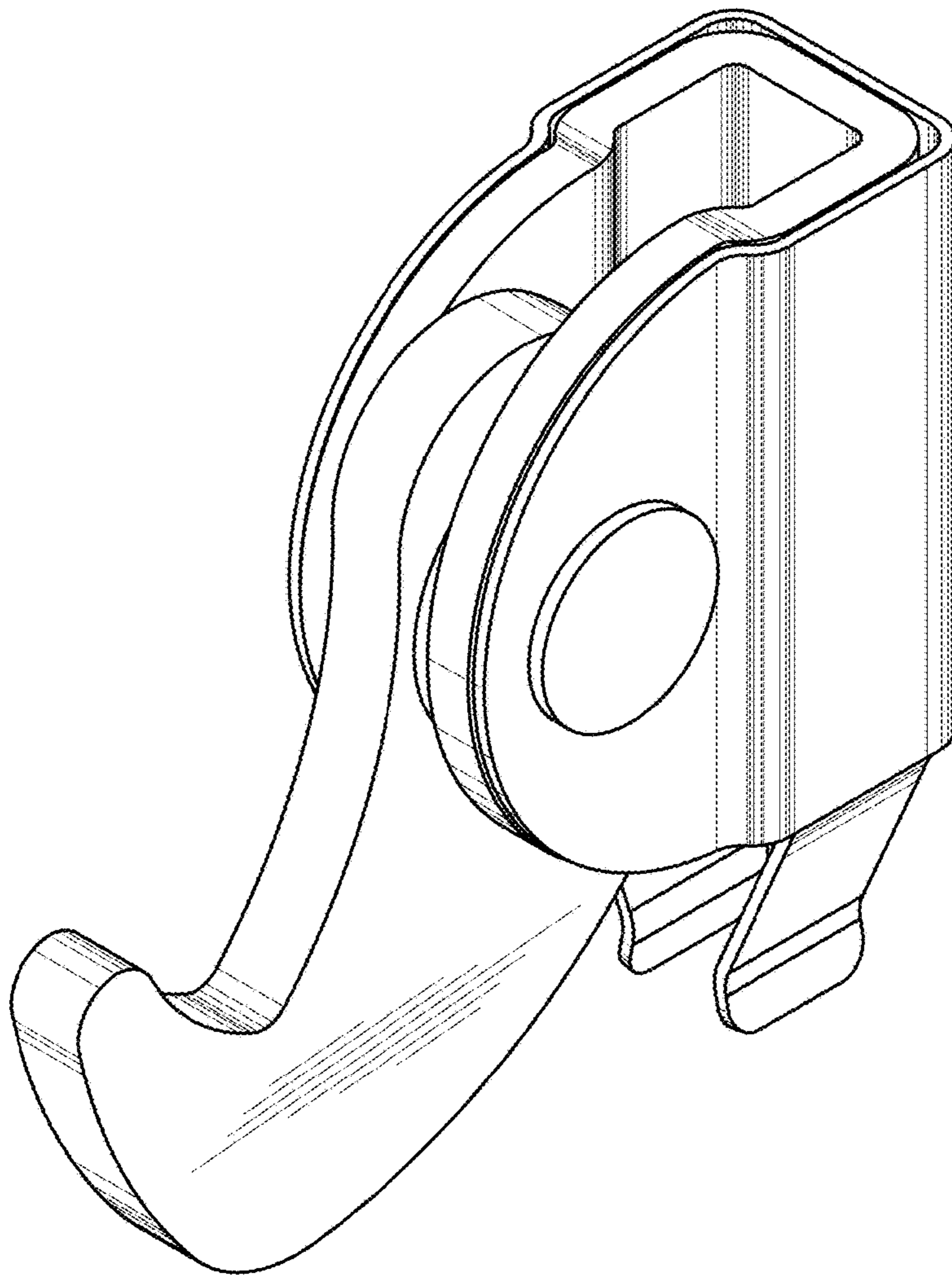


FIG. 1

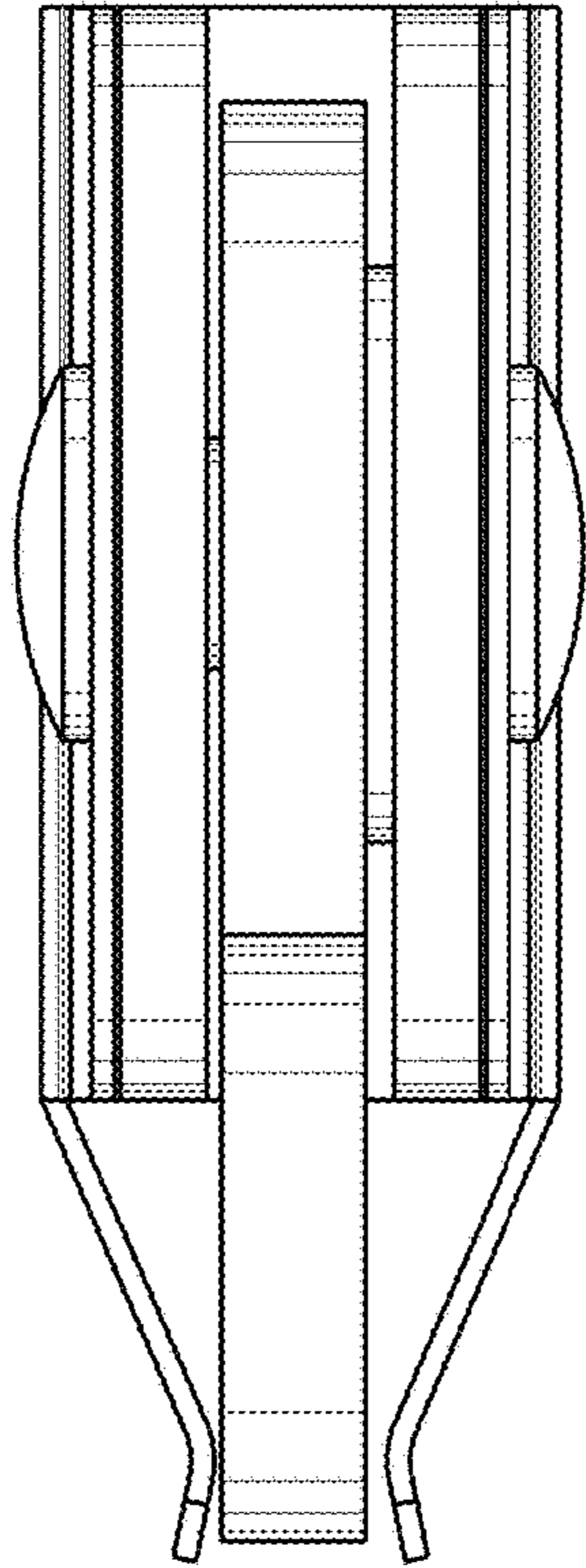


FIG. 2

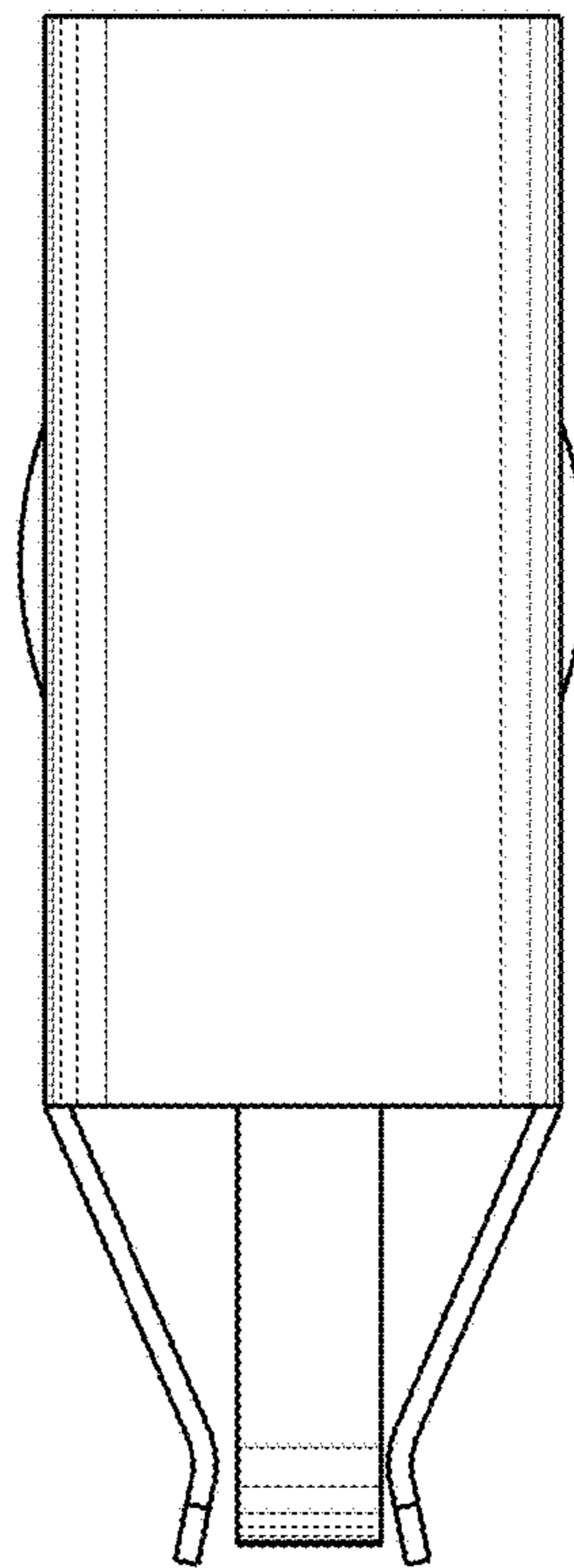
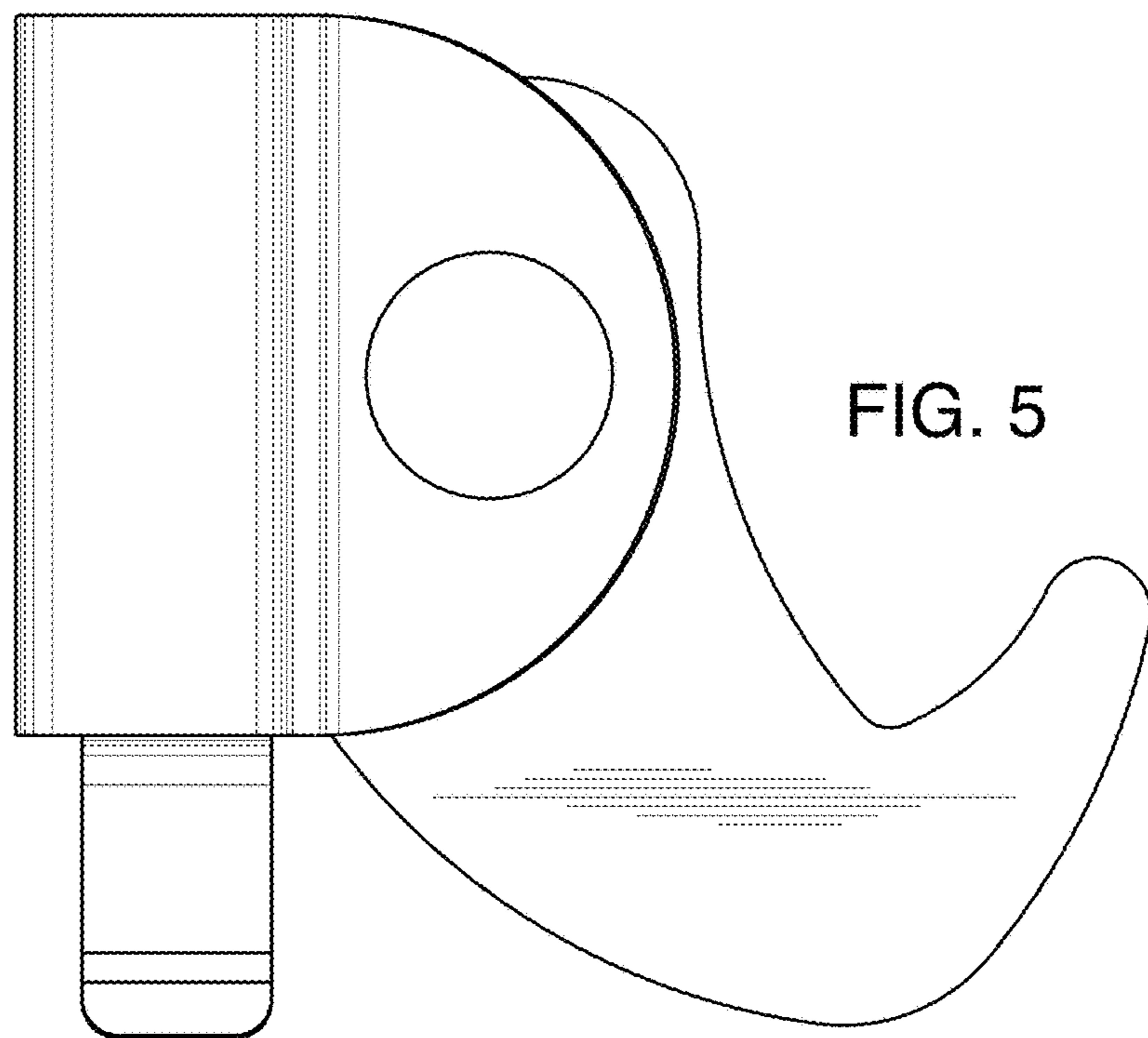
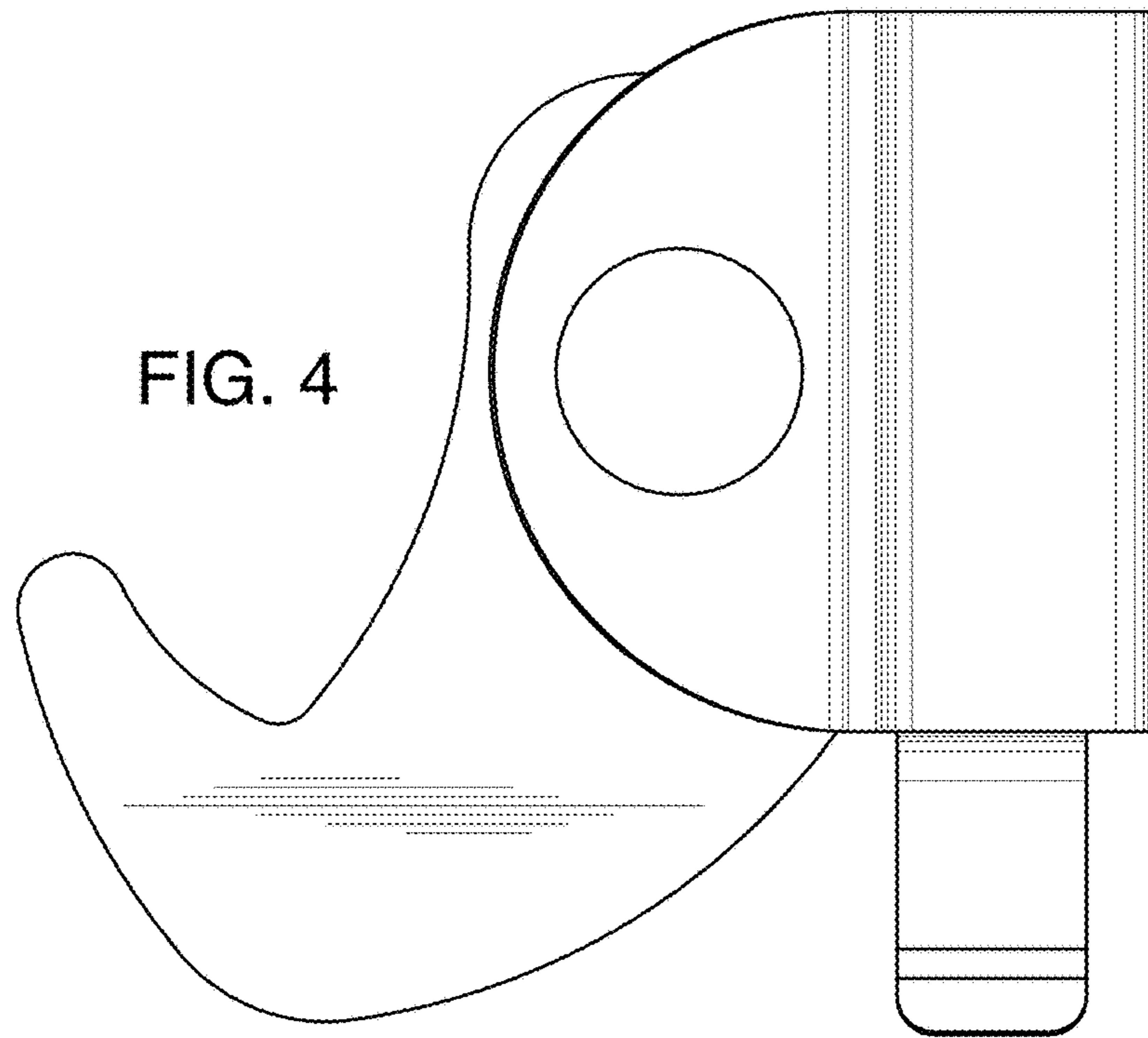


FIG. 3



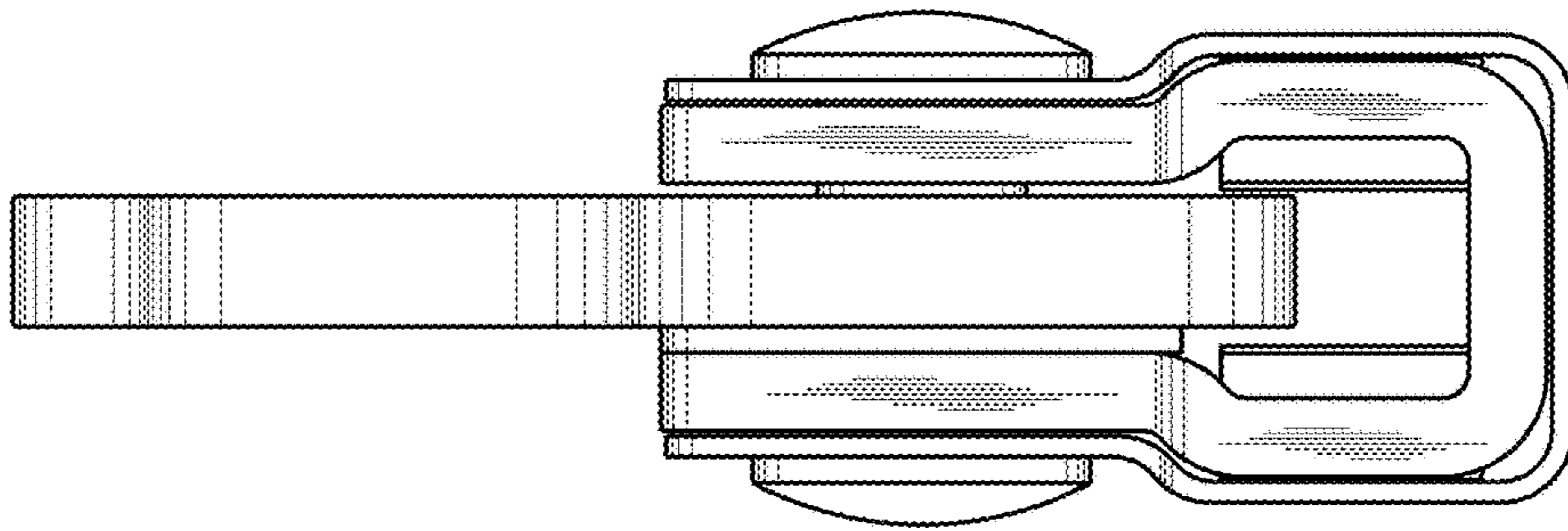


FIG. 6

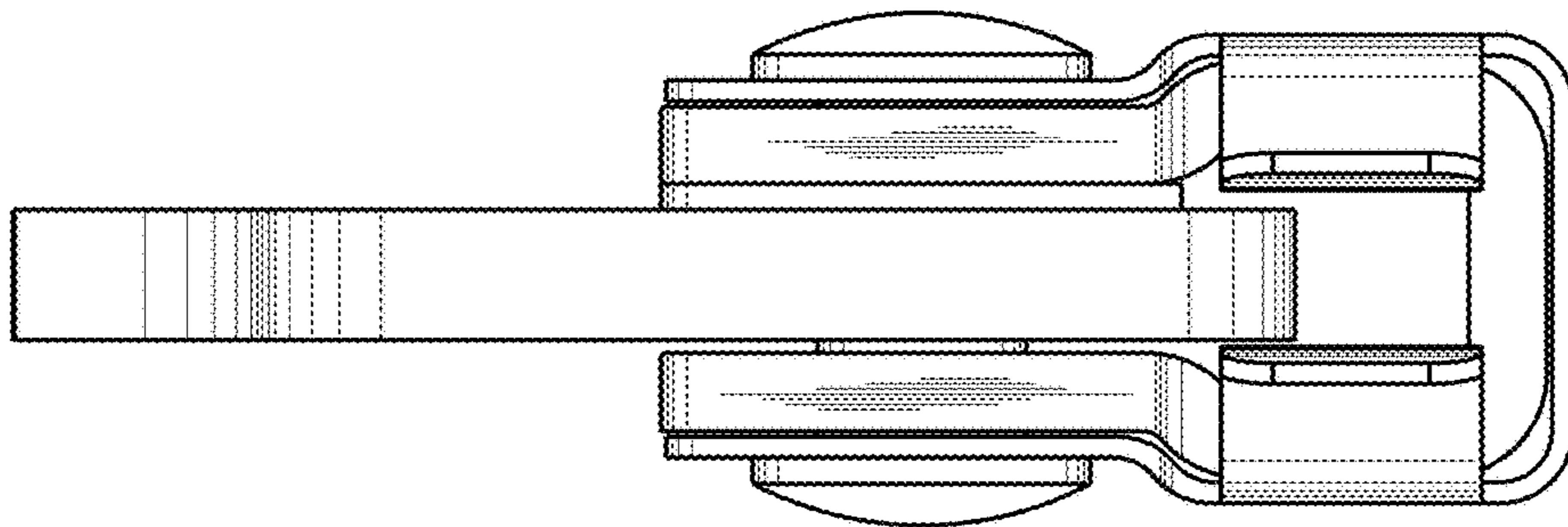


FIG. 7