

US00D867861S

(12) **United States Design Patent** (10) **Patent No.:** **US D867,861 S**
Montano Rueda et al. (45) **Date of Patent:** **** Nov. 26, 2019**

(54) **WIRE REEL WITH DETONATOR**
 (71) Applicant: **MAXAMCORP HOLDING, S.L.**,
 Madrid (ES)
 (72) Inventors: **Luis Diego Montano Rueda**, Vizcaya
 (ES); **Hendrik Albertus Cornelius Van**
Niekerk, Vizcaya (ES)

D400,083 S * 10/1998 Bodine D8/359
 D557,118 S 12/2007 Linginfelter
 D557,119 S 12/2007 Laga
 D584,600 S * 1/2009 Belcher D8/358
 D682,073 S * 5/2013 Payne D8/359
 D705,643 S 5/2014 Siboni et al.
 D741,693 S 10/2015 Penumatcha et al.

(73) Assignee: **MAXAMCORP HOLDINGS, S.L.**,
 Madrid (ES)

(**) Term: **15 Years**

(21) Appl. No.: **29/633,785**

(22) Filed: **Jan. 16, 2018**

(30) **Foreign Application Priority Data**

Jul. 13, 2017 (EM) 004101970

(51) **LOC (12) Cl.** **08-05**

(52) **U.S. Cl.**
 USPC **D8/358; D22/112**

(58) **Field of Classification Search**
 USPC D8/358, 359, 356; D34/14, 24, 26;
 D22/140; D10/72; D13/155
 CPC B65H 2701/33; B65H 75/4471; Y10T
 137/6954; Y10T 137/6899
 See application file for complete search history.

(56) **References Cited**

U.S. PATENT DOCUMENTS

5,143,316 A 9/1992 Goetz et al.
 D362,797 S * 10/1995 Caracciolo D8/359
 D396,629 S * 8/1998 Huggins D8/359

FOREIGN PATENT DOCUMENTS

CL	201701481	10/2018
CN	201630172110.6	11/2016
ES	004101970-0001	7/2017
FI	001757154-0001	9/2010
GB	2036040	7/1993
GB	003224047-0001	6/2016
JP	001750951-0001	9/2010
PL	000815824-0001	10/2007

* cited by examiner

Primary Examiner — Eliza Z Bennett-Hattan

(74) *Attorney, Agent, or Firm* — Kramer Amado, P.C.

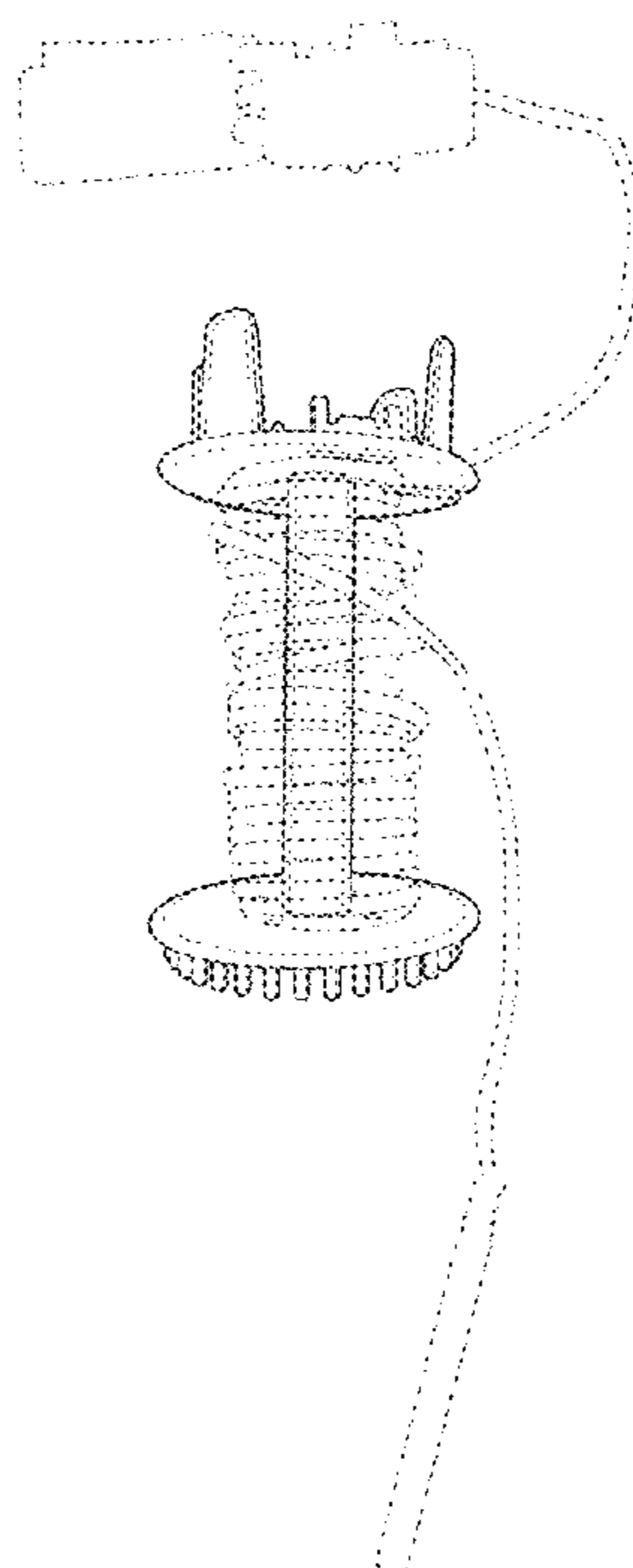
(57) **CLAIM**

The ornamental design for wire reel with detonator, as shown and described.

DESCRIPTION

FIG. 1 is a front elevation view of a wire reel with detonator;
 FIG. 2 is a top plan view thereof;
 FIG. 3 is a side elevation view thereof;
 FIG. 4 is a bottom plan view thereof;
 FIG. 5 is a bottom perspective view thereof;
 FIG. 6 is a top perspective view thereof; and,
 FIG. 7 is a side perspective view thereof.
 Portions shown as broken lines depict environmental subject
 matter only and form no part of the claimed design.

1 Claim, 7 Drawing Sheets



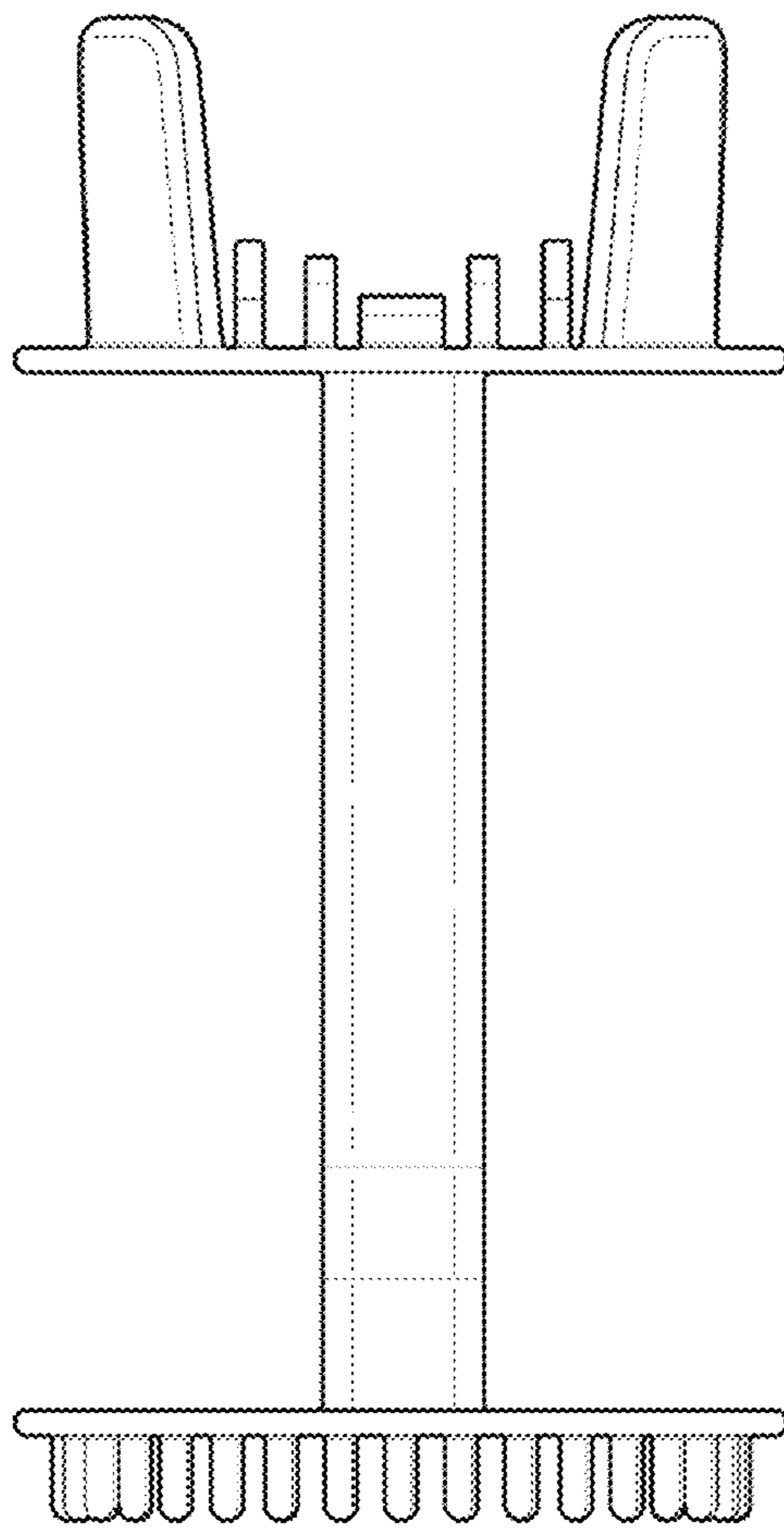


FIG. 1

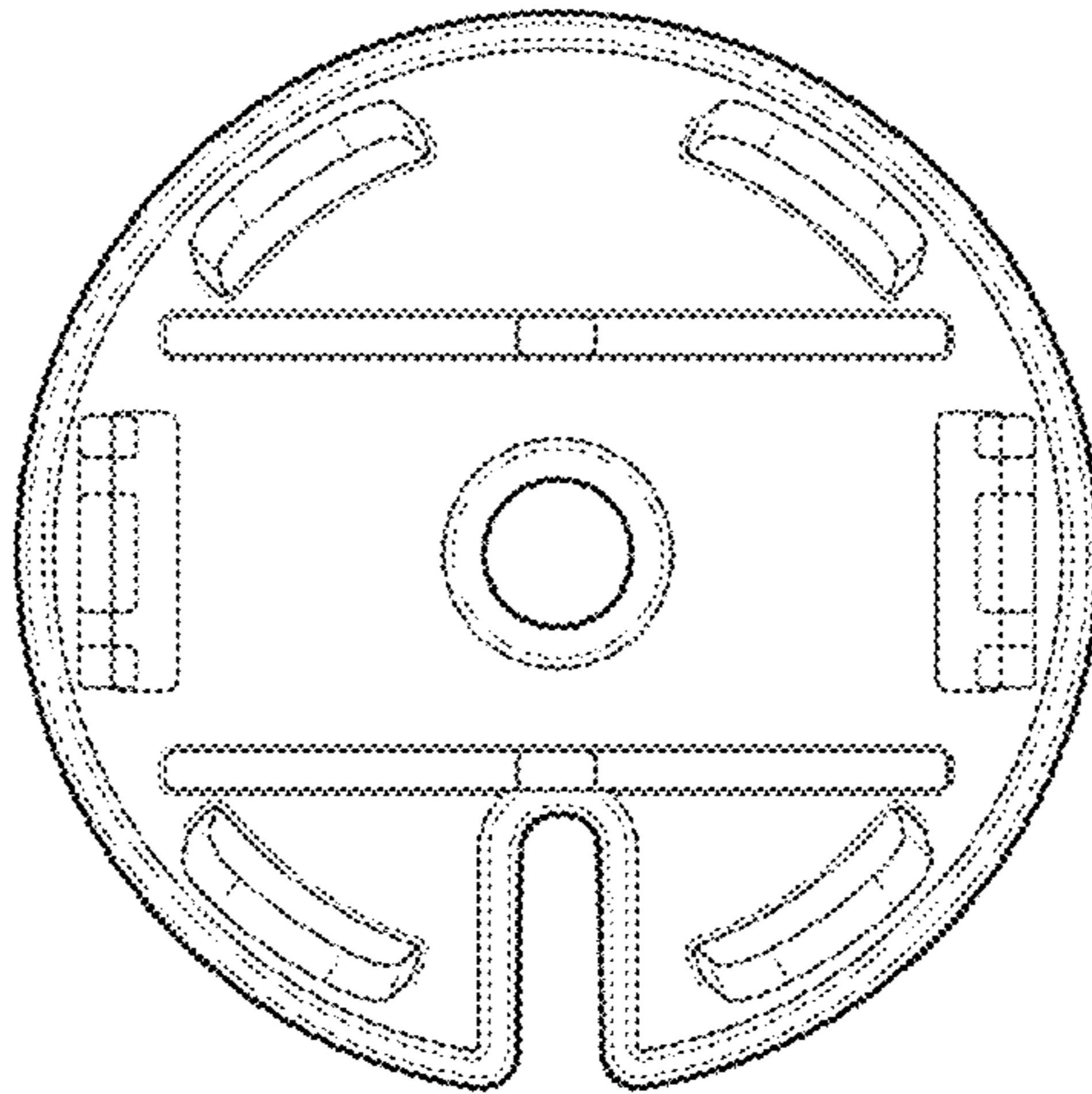


FIG. 2

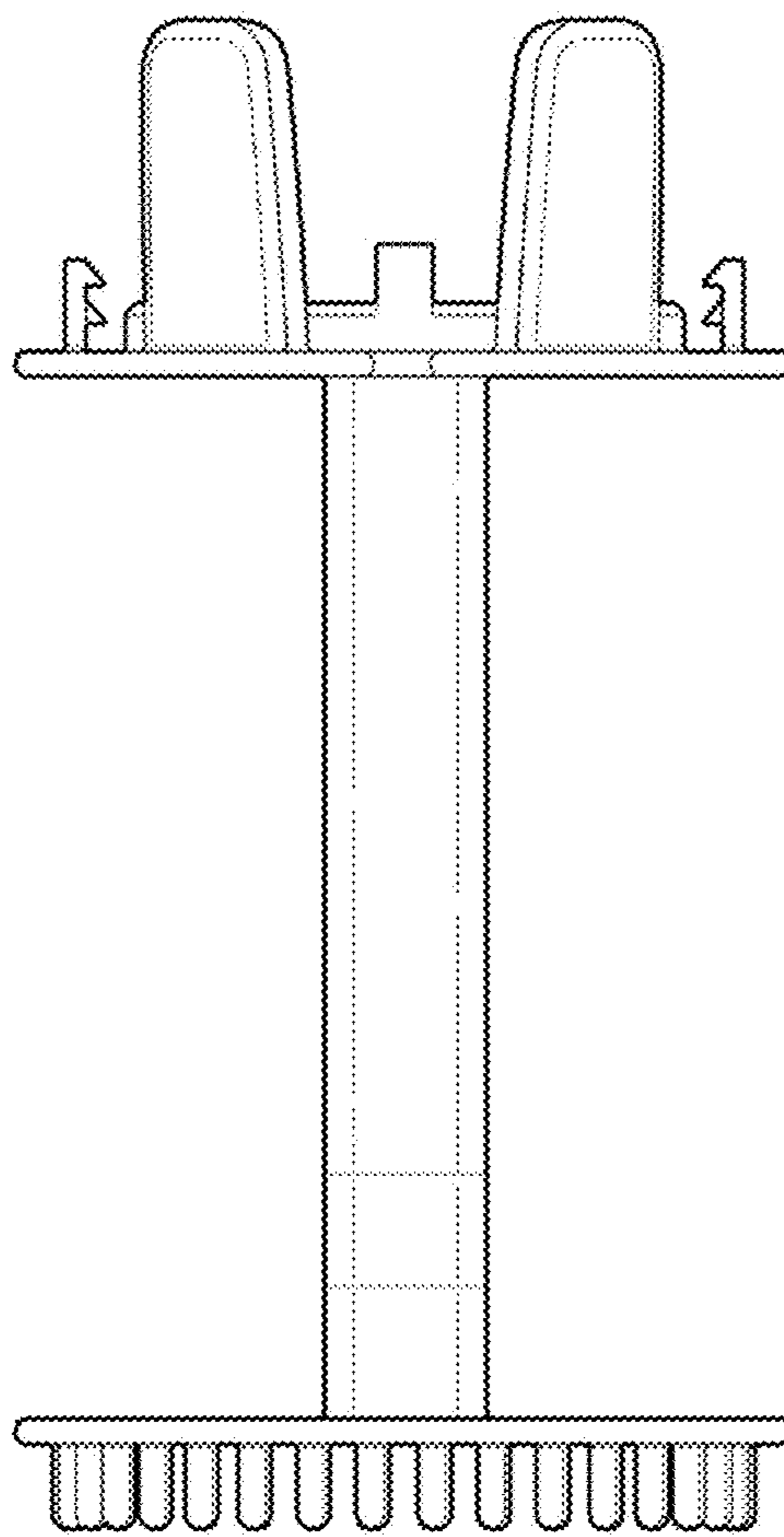


FIG. 3

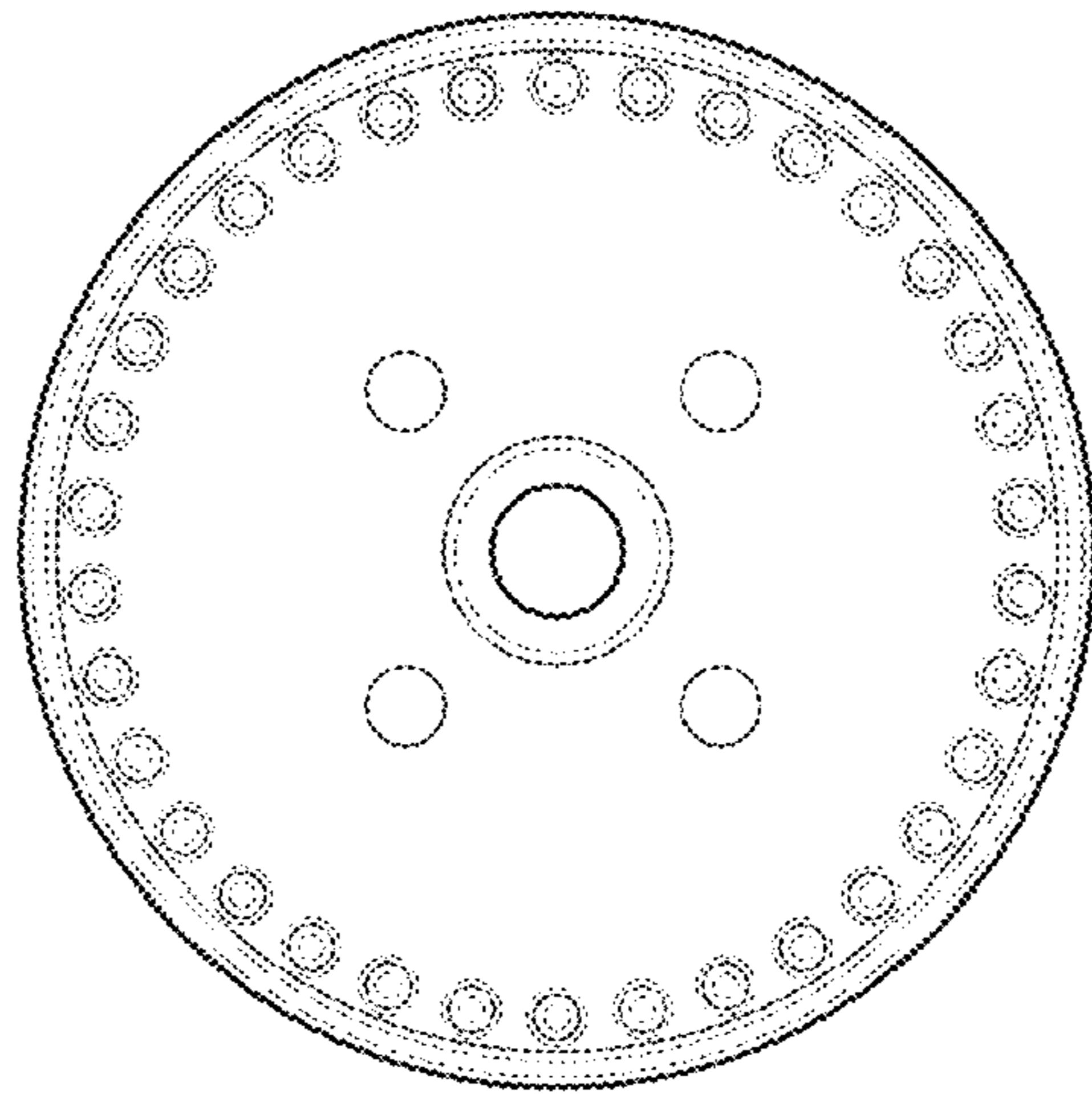


FIG. 4

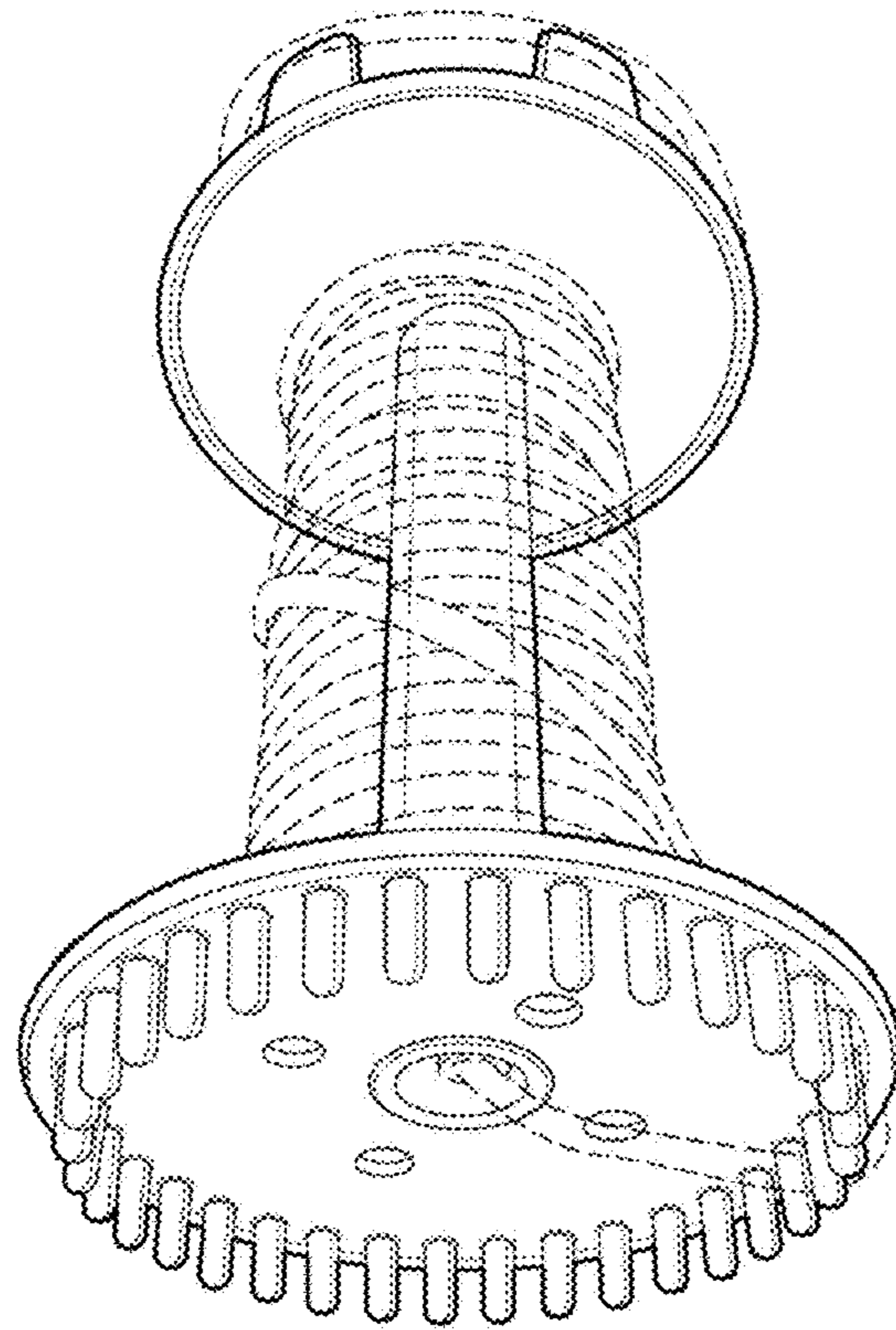


FIG. 5

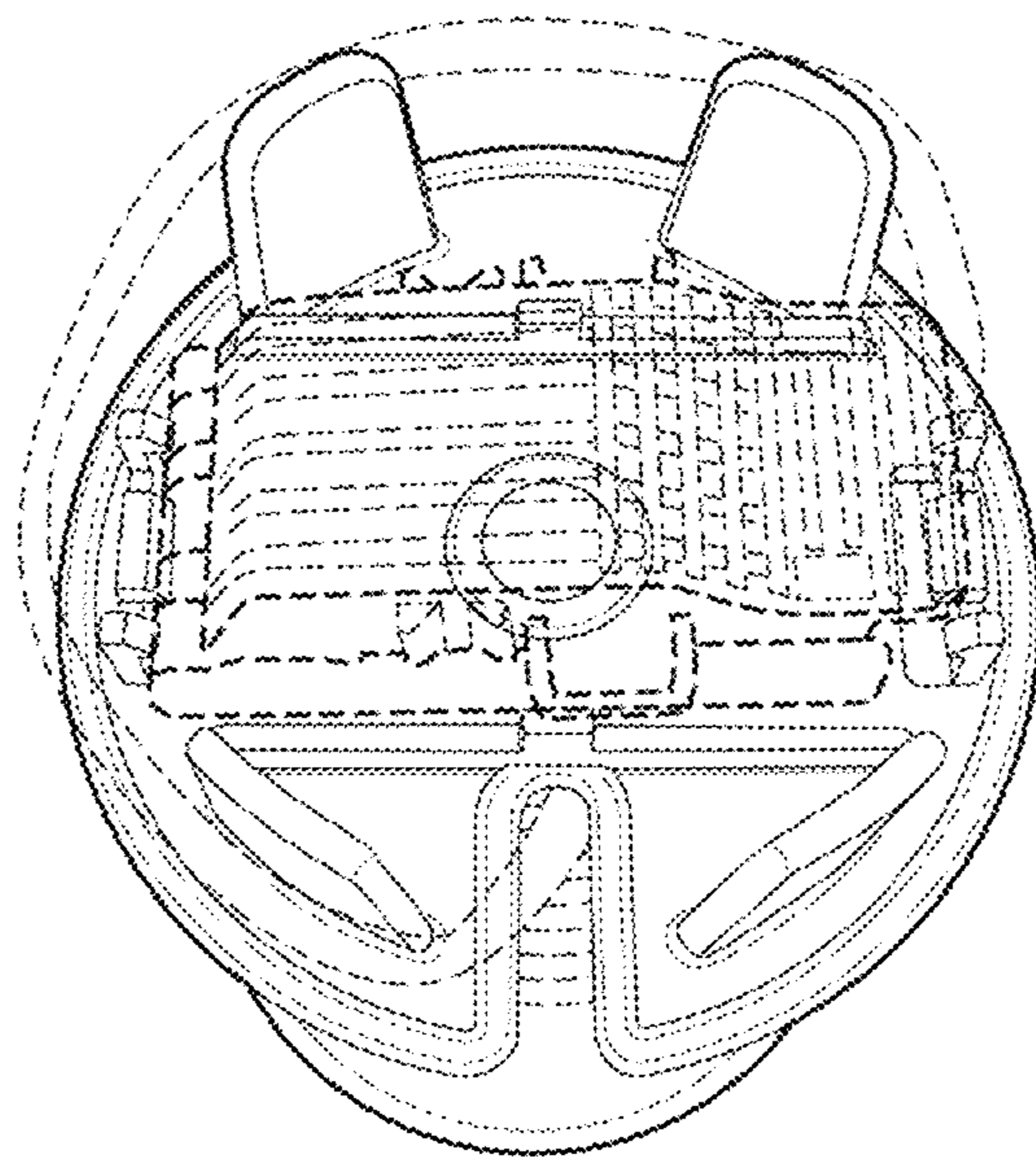


FIG. 6

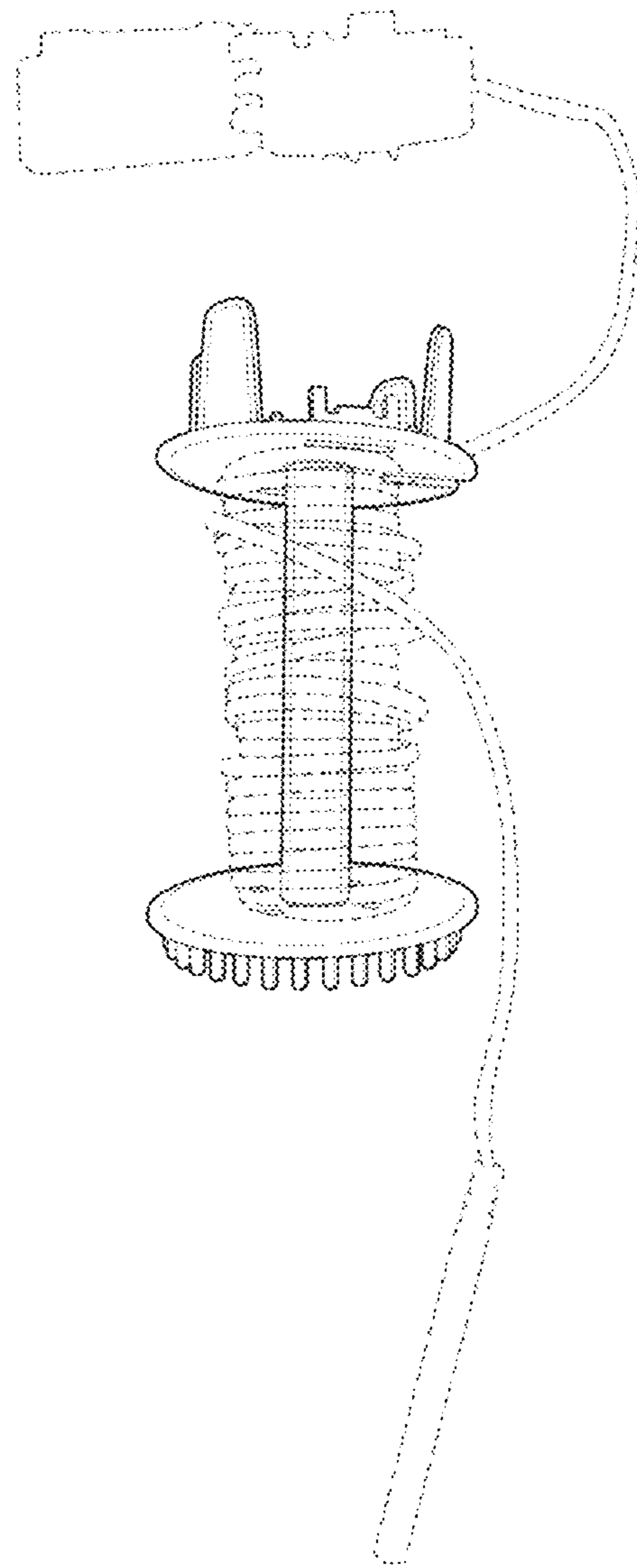


FIG. 7