

US00D867860S

(12) **United States Design Patent**  
**Wersland et al.**

(10) **Patent No.:** **US D867,860 S**  
(45) **Date of Patent:** **\*\* Nov. 26, 2019**

- (54) **CONNECTOR**
- (71) Applicant: **THERAGUN, LLC**, Santa Monica, CA (US)
- (72) Inventors: **Jason Wersland**, Manhattan Beach, CA (US); **Jaime Sanchez Solana**, Los Angeles, CA (US)
- (73) Assignee: **THERAGUN, LLC**, Santa Monica, CA (US)
- (\*\*) Term: **15 Years**
- (21) Appl. No.: **29/674,840**
- (22) Filed: **Dec. 26, 2018**
- (51) **LOC (12) Cl.** ..... **09-06**
- (52) **U.S. Cl.**  
USPC ..... **D8/356**
- (58) **Field of Classification Search**  
USPC ..... D8/356, 354, 349; D13/155; 320/107;  
403/322.2  
CPC ..... H02J 7/0026; H02J 7/0021; H02J 7/0027;  
Y02E 60/12; F16B 45/00; F16B 7/042  
See application file for complete search history.

(56) **References Cited**

**U.S. PATENT DOCUMENTS**

- 3,062,475 A \* 11/1962 Miller, Jr. .... A01K 97/06  
242/405.1
- 4,150,798 A \* 4/1979 Aragon ..... H02G 11/02  
191/12.2 R
- 4,390,142 A \* 6/1983 Cheng ..... H02G 11/02  
242/388.1
- 5,873,540 A \* 2/1999 Hardin ..... B65H 75/143  
206/406
- 6,234,418 B1 \* 5/2001 Donaldson ..... B65H 75/28  
191/12.2 R
- 6,966,791 B1 \* 11/2005 Farr ..... B65H 75/406  
206/303

- 7,077,693 B1 \* 7/2006 Symons ..... H01R 13/72  
191/12.4
- D539,117 S \* 3/2007 Sealey ..... D8/349
- D542,123 S \* 5/2007 Symons ..... D8/356
- D554,017 S \* 10/2007 Hampton ..... D10/119.1
- 7,399,199 B2 \* 7/2008 Symons ..... H01R 13/72  
439/242
- D591,678 S \* 5/2009 Whitley ..... D13/133
- D598,480 S \* 8/2009 Kanemitsu ..... D15/148
- 7,654,484 B2 \* 2/2010 Mogensen ..... A61M 5/1418  
242/402
- 7,686,830 B2 \* 3/2010 Collier ..... A61B 17/0401  
24/115 N
- D631,730 S \* 2/2011 Skillman ..... B65H 75/143  
D8/356
- D644,306 S \* 8/2011 Douglass, III ..... D23/269
- D645,334 S \* 9/2011 Kanemitsu ..... D8/360
- D685,771 S \* 7/2013 Bertenthal ..... D14/223
- 8,474,105 B2 \* 7/2013 Naquin ..... B63B 21/20  
24/115 R
- D716,640 S \* 11/2014 Martinson ..... D8/356

(Continued)

*Primary Examiner* — Cynthia R Underwood

(74) *Attorney, Agent, or Firm* — Jeffer Mangels; Butler & Mitchell LLP; Brennan C. Swain, Esq.

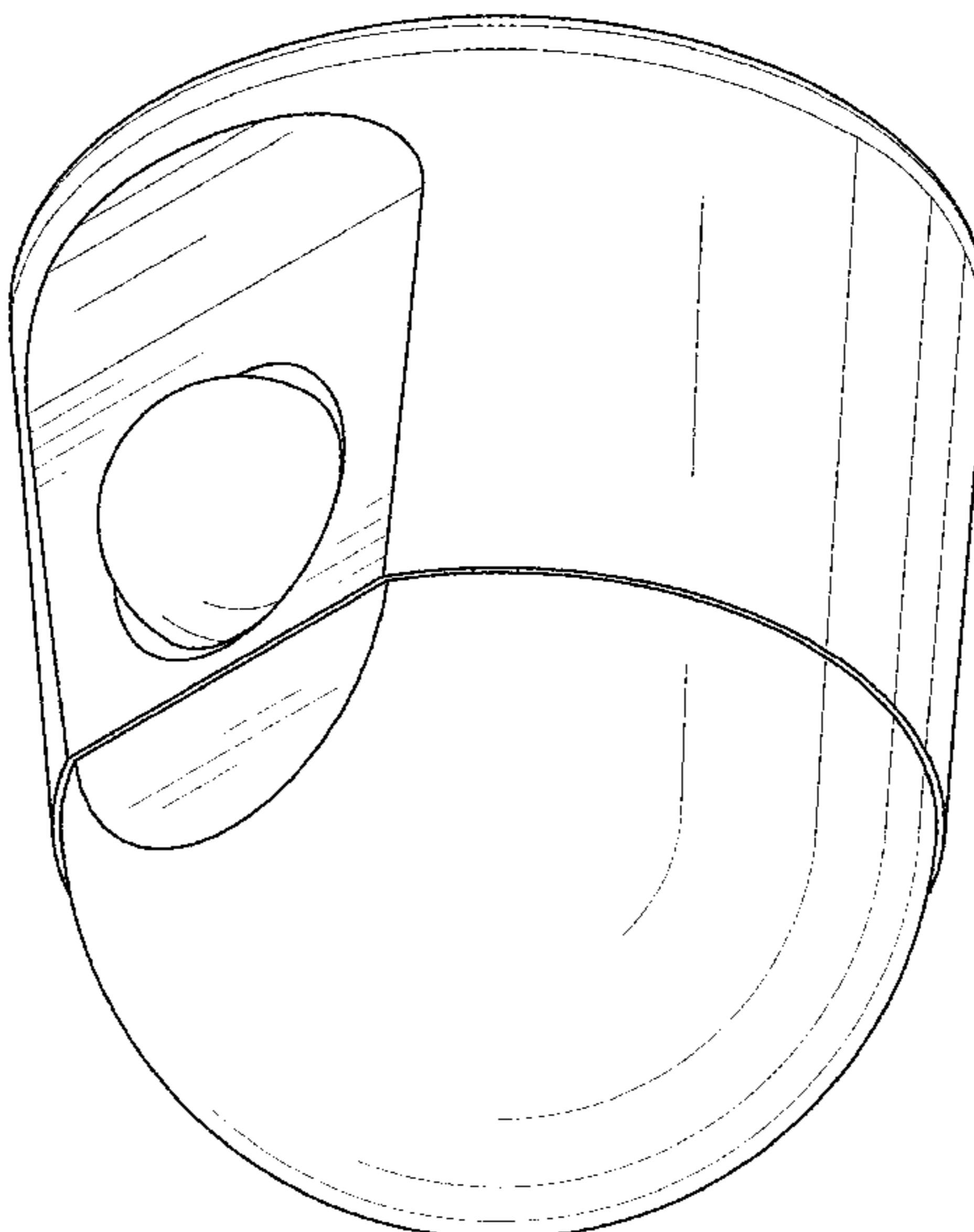
(57) **CLAIM**

The ornamental design for a connector, as shown and described.

**DESCRIPTION**

FIG. 1 is a perspective view of the present invention; FIG. 2 is a right side elevational view of the present invention shown in FIG. 1, the left side elevational view being a mirror image thereof; FIG. 3 is a front elevational view of the present invention shown in FIG. 1, the rear elevational view being a mirror image thereof; and, FIG. 4 is a bottom plan view of the present invention shown in FIG. 1.

**1 Claim, 4 Drawing Sheets**



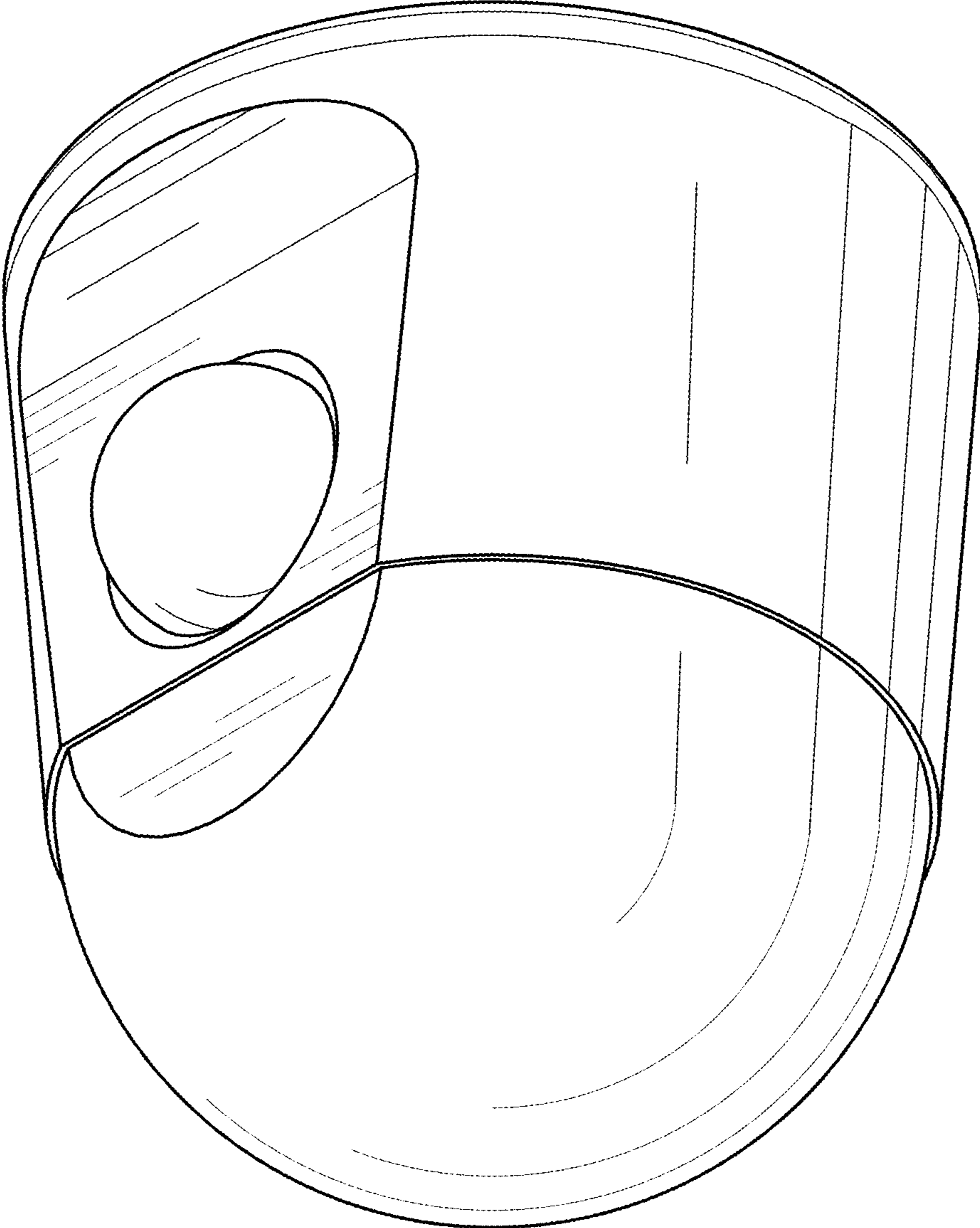
(56)

References Cited

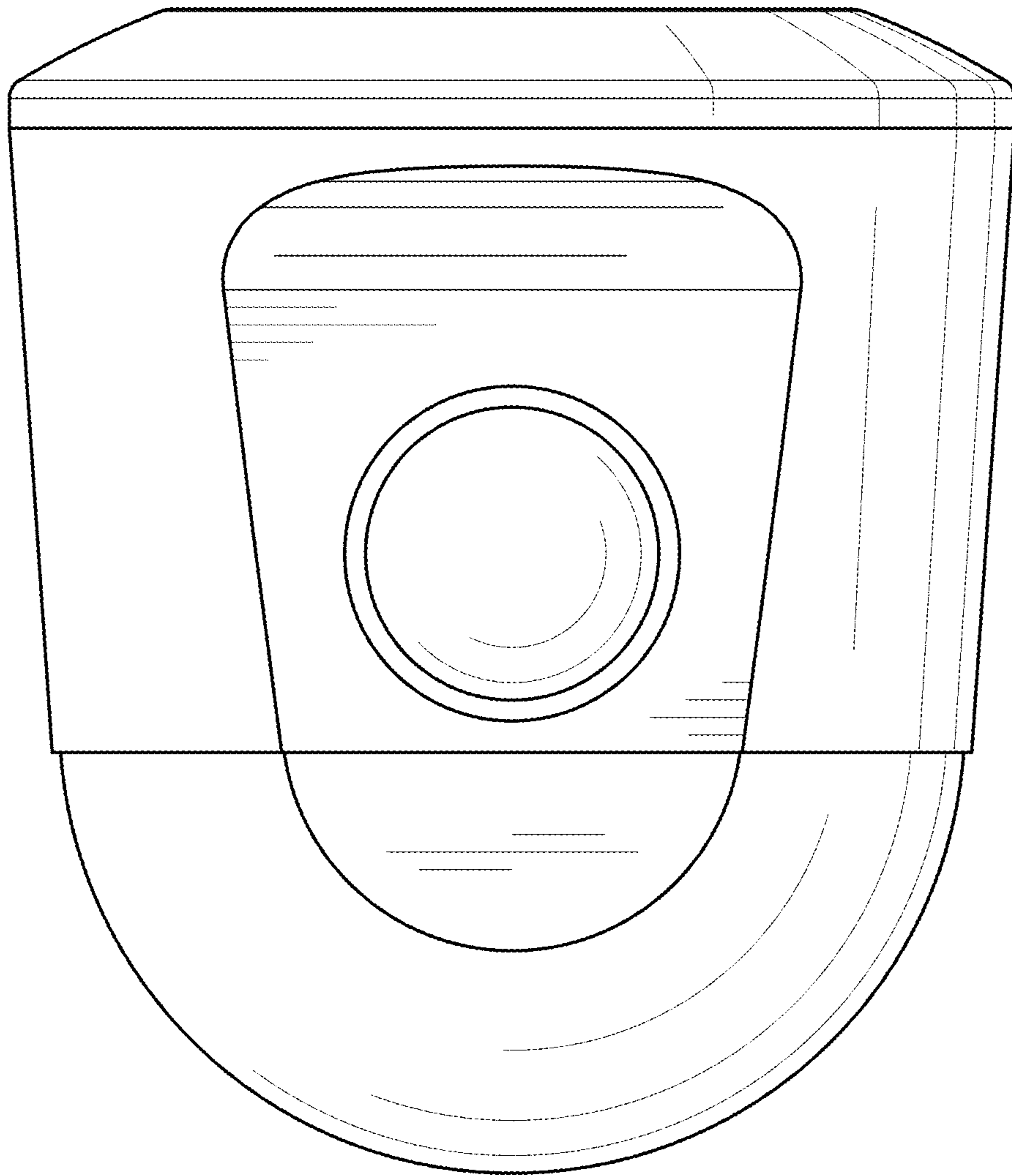
U.S. PATENT DOCUMENTS

D722,621	S *	2/2015	Gray	.....	D15/28
D735,020	S *	7/2015	Bradford	.....	D8/356
9,187,291	B2 *	11/2015	Alexandre	.....	B65H 75/34
D748,455	S *	2/2016	Symons	.....	D8/356
9,255,591	B2 *	2/2016	Carnevali	.....	F16D 1/116
9,416,805	B2 *	8/2016	Cascolan	.....	H01F 7/124
9,556,914	B2 *	1/2017	Dupere	.....	E21B 17/046
D779,435	S *	2/2017	Callahan	.....	H02G 3/12
					D13/139.4
9,874,039	B2 *	1/2018	Haas	.....	E04H 15/64
10,288,123	B2 *	5/2019	Newth	.....	F16D 1/108
2002/0145073	A1 *	10/2002	Swanson	.....	A61F 15/002
					242/588.3
2003/0122023	A1 *	7/2003	Pitcher	.....	B65H 75/143
					242/388.1
2004/0178398	A1 *	9/2004	Miller	.....	F16H 55/44
					254/390
2008/0200064	A1 *	8/2008	Chong	.....	H02G 3/22
					439/571
2011/0036676	A1 *	2/2011	Skillman	.....	B65H 75/143
					191/12.4
2012/0305868	A1 *	12/2012	Callahan	.....	H02G 3/12
					254/134.3 R

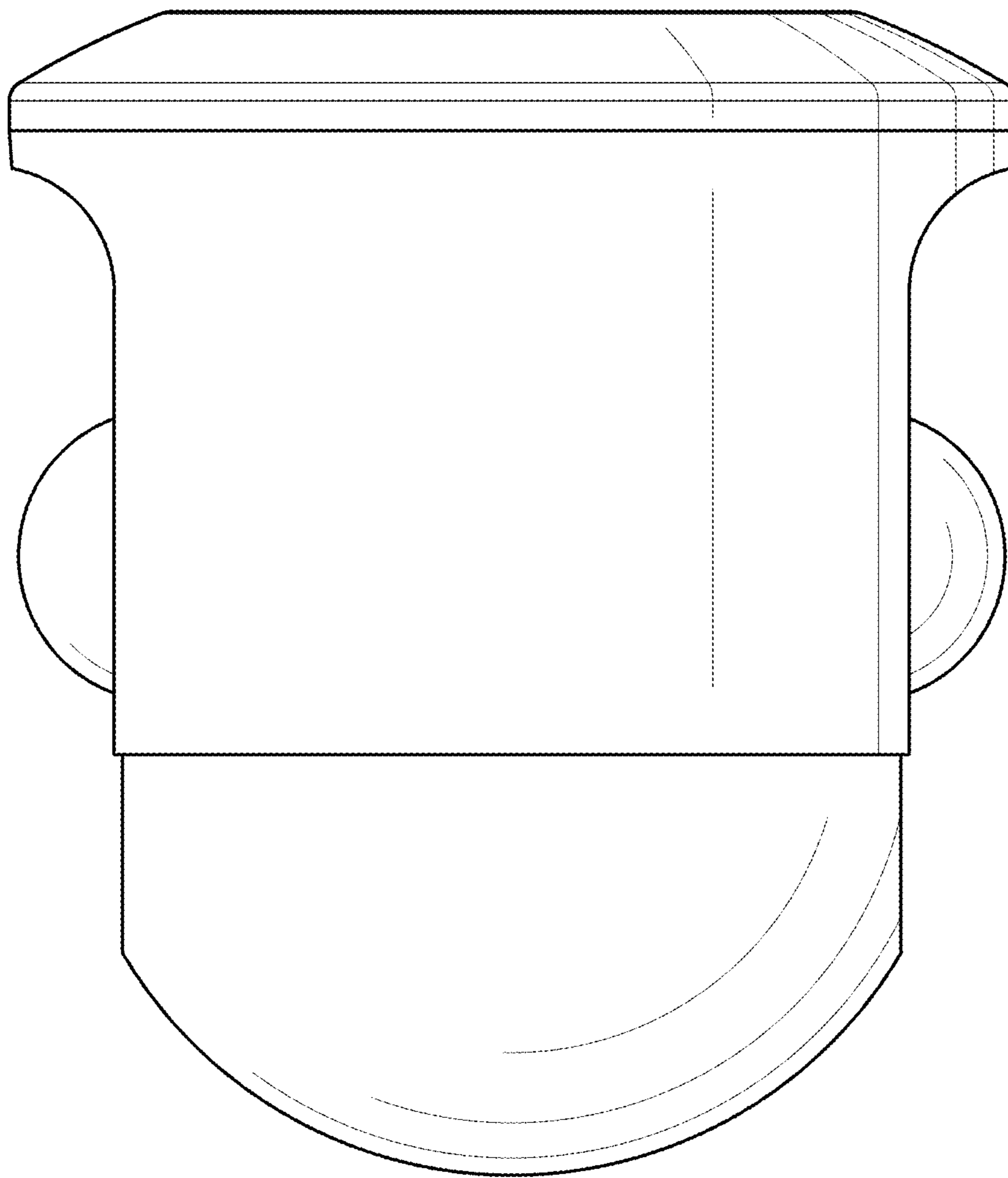
\* cited by examiner



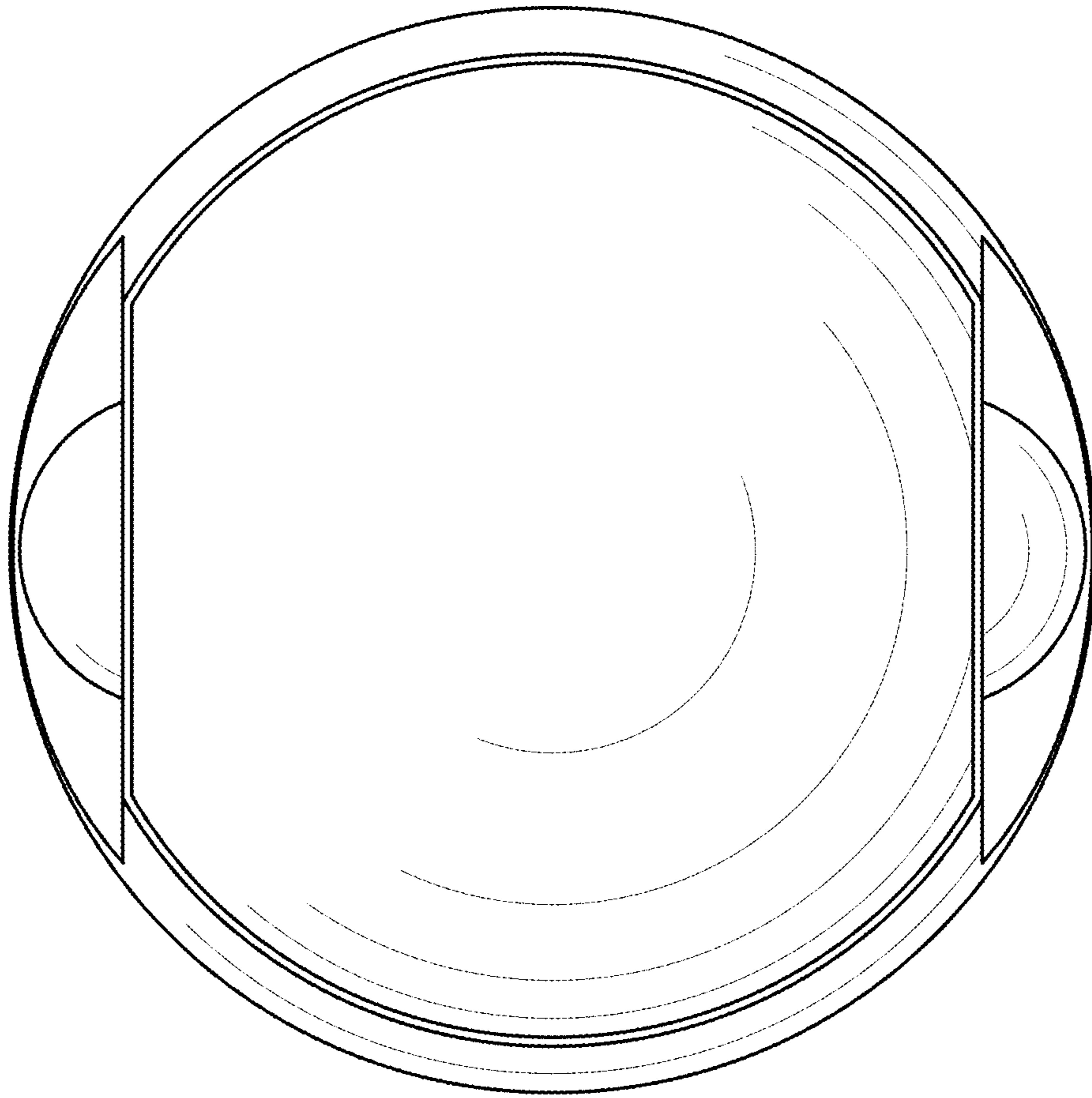
*FIG. 1*



*FIG. 2*



*FIG. 3*



*FIG. 4*