

US00D867859S

(12) **United States Design Patent**
Herbert

(10) **Patent No.:** **US D867,859 S**

(45) **Date of Patent:** **** Nov. 26, 2019**

- (54) **CORD MANAGEMENT DEVICE**
- (71) Applicant: **Glenda Herbert**, Quincy, CA (US)
- (72) Inventor: **Glenda Herbert**, Quincy, CA (US)
- (**) Term: **15 Years**
- (21) Appl. No.: **29/673,413**
- (22) Filed: **Dec. 14, 2018**

8,635,749	B2 *	1/2014	Mayers	C09J 7/00
					24/304
8,793,842	B2	8/2014	Donovan et al.		
D720,606	S *	1/2015	Mathews	D8/356
D728,349	S *	5/2015	Lake	D8/356
9,143,852	B2	9/2015	Demier		
D745,373	S *	12/2015	Marra, Jr.	D8/354
D766,705	S *	9/2016	Duarte	D8/356
9,605,790	B1 *	3/2017	Alonzo	G06F 1/1626
D790,127	S *	6/2017	Verleur	D27/183
D804,290	S *	12/2017	Tung	D8/356
D805,309	S *	12/2017	Moyer	D6/308
D806,523	S *	1/2018	Kencevski	D8/356
D826,034	S *	8/2018	Feng	D8/356
D826,700	S *	8/2018	Feng	D8/356

(Continued)

Related U.S. Application Data

- (63) Continuation-in-part of application No. 16/109,152, filed on Aug. 22, 2018.
- (51) **LOC (12) Cl.** **09-06**
- (52) **U.S. Cl.**
USPC **D8/356**
- (58) **Field of Classification Search**
USPC D8/356, 354, 349; 361/826
CPC A63B 29/00; A63B 27/00; B63B 59/02;
B63B 21/045; H05K 5/0247; F16L 3/13
See application file for complete search history.

Primary Examiner — Cynthia R Underwood
(74) *Attorney, Agent, or Firm* — Global Intellectual Property Agency, LLC; Daniel Boudwin

(57) **CLAIM**

The ornamental design for a cord management device, as shown and described.

DESCRIPTION

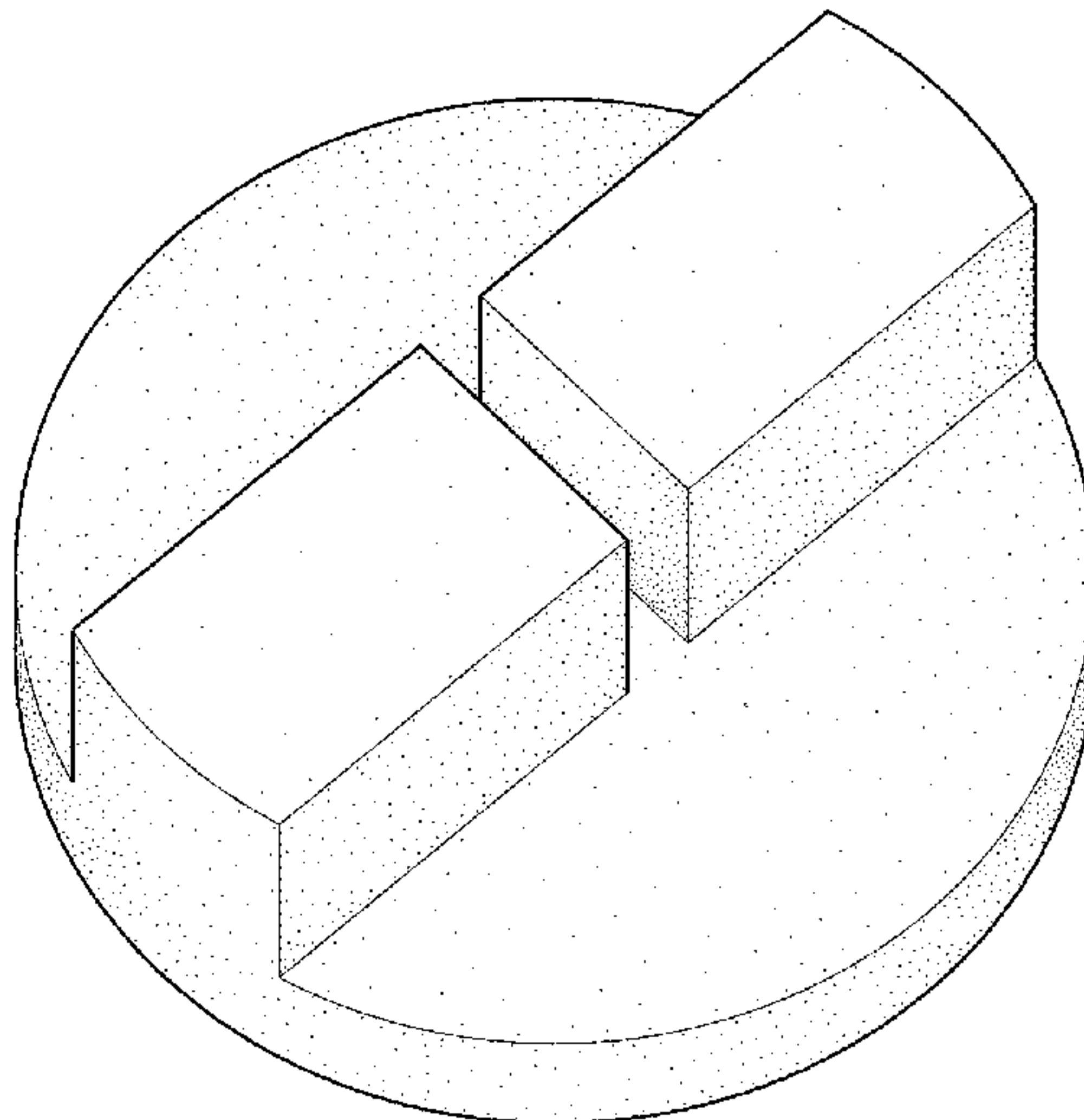
FIG. 1 shows a perspective view of a cord management device;
 FIG. 2 shows a top plan view of the cord management device;
 FIG. 3 shows a bottom plan view of the cord management device;
 FIG. 4 shows a front view of the cord management device;
 FIG. 5 shows a rear view of the cord management device;
 FIG. 6 shows a left side view of the cord management device; and,
 FIG. 7 shows a right side view of the cord management device.
 The shade lines in the Figures show contour and not surface ornamentation.

(56) **References Cited**

U.S. PATENT DOCUMENTS

1,070,921	A *	8/1913	Saltiel	E04C 5/168
					52/686
3,357,066	A *	12/1967	Moritz	F16G 11/06
					403/211
D279,721	S *	7/1985	Martinovics	D27/134
4,910,362	A *	3/1990	Kinner	D06F 75/28
					174/135
6,431,500	B1 *	8/2002	Jacobs	F16L 3/13
					24/129 R
6,473,309	B1 *	10/2002	Parson	G06F 1/184
					24/304
6,698,560	B2	3/2004	Reardon et al.		
D618,985	S *	7/2010	Sjoqvist	D8/356
D684,036	S *	6/2013	Topping	D8/356

1 Claim, 3 Drawing Sheets



(56)

References Cited

U.S. PATENT DOCUMENTS

D829,535 S * 10/2018 Barlow D8/356
D831,470 S * 10/2018 Russell B60D 1/187
D8/356
10,228,114 B1 * 3/2019 Payton F21V 21/096
D860,173 S * 9/2019 Nokuo D14/223
2007/0151750 A1 7/2007 Dean
2008/0009165 A1* 1/2008 Tseng F21V 21/002
439/257
2009/0127366 A1 5/2009 Costantino

* cited by examiner

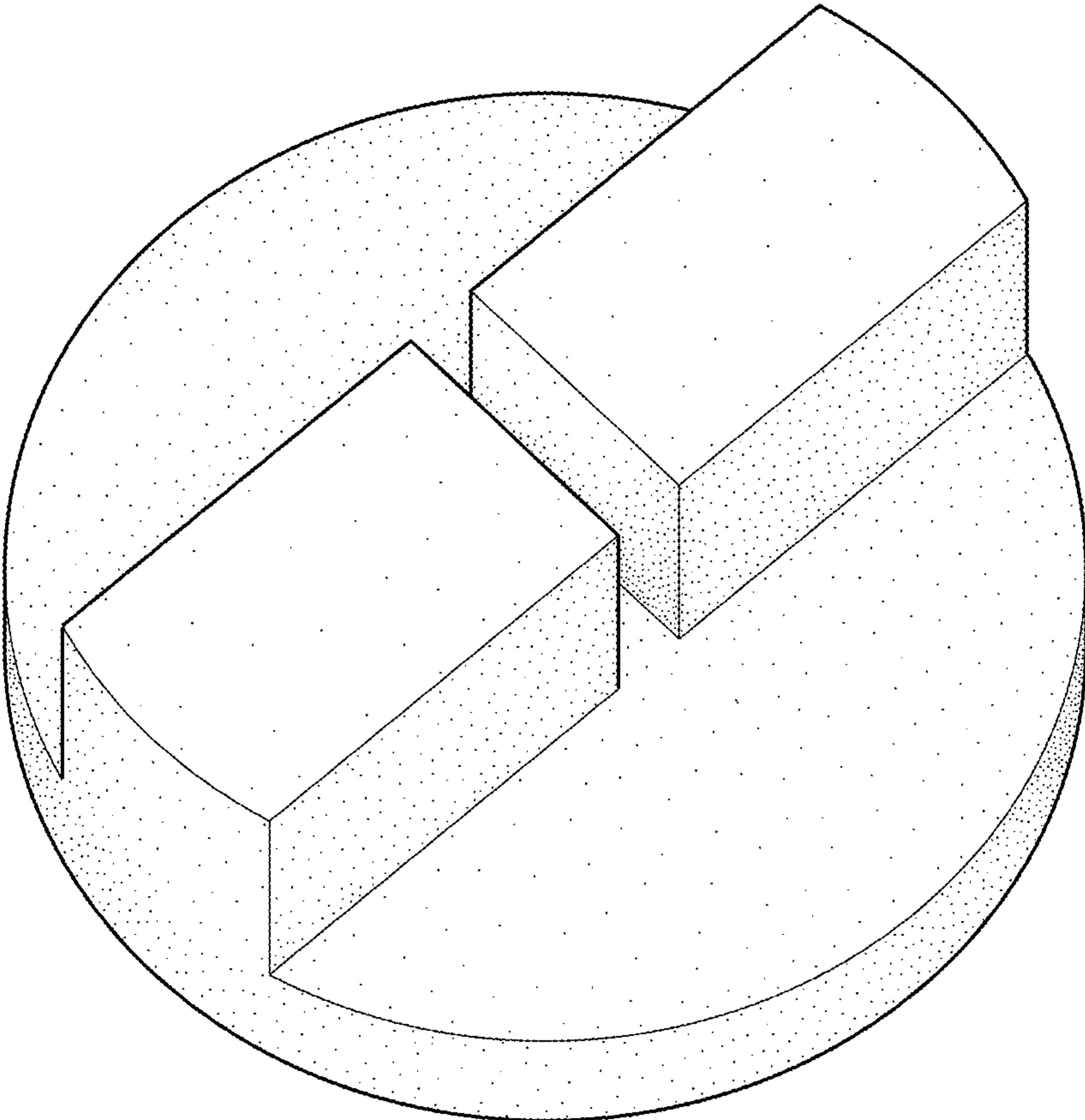


FIG. 1

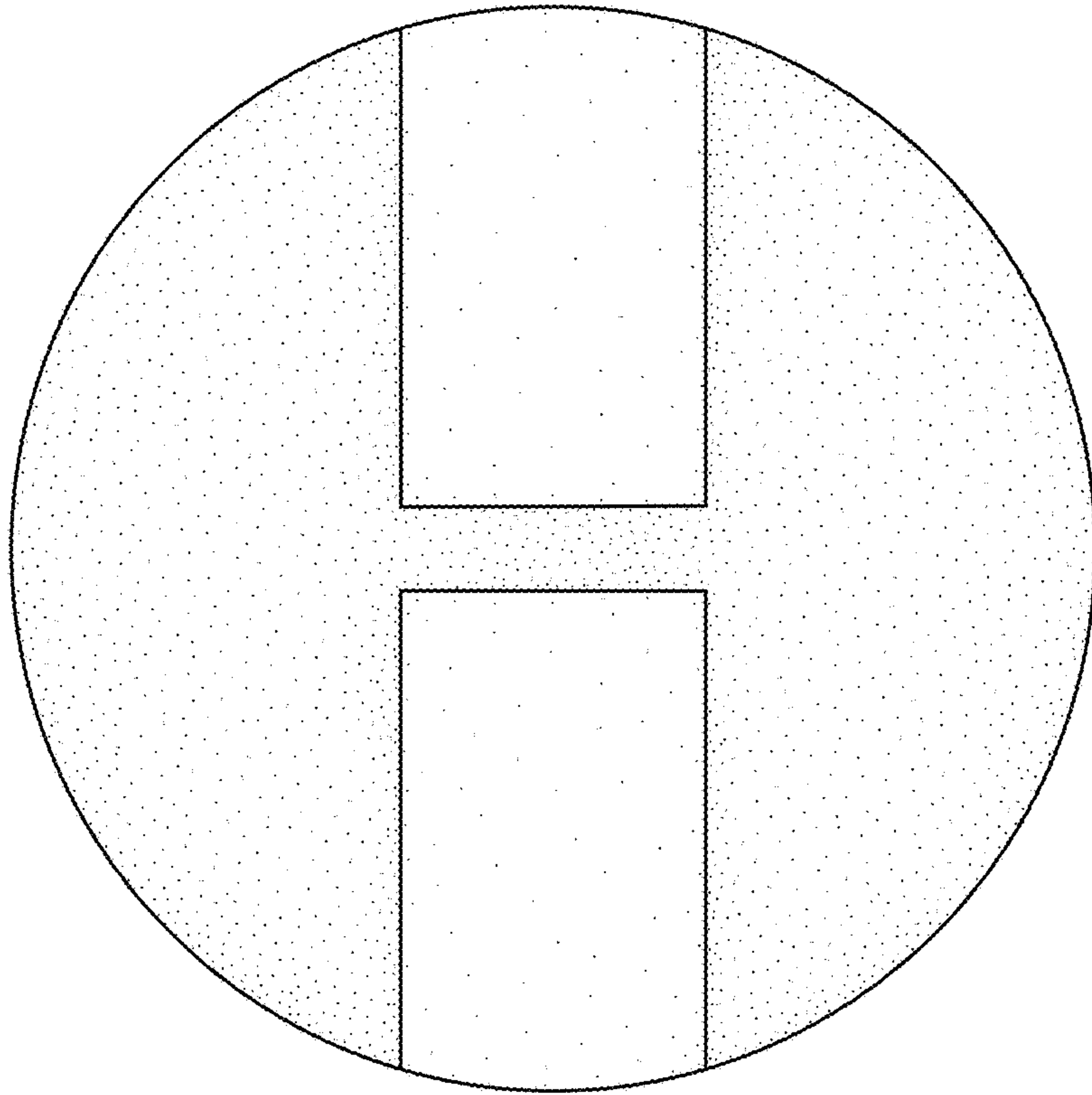


FIG. 2

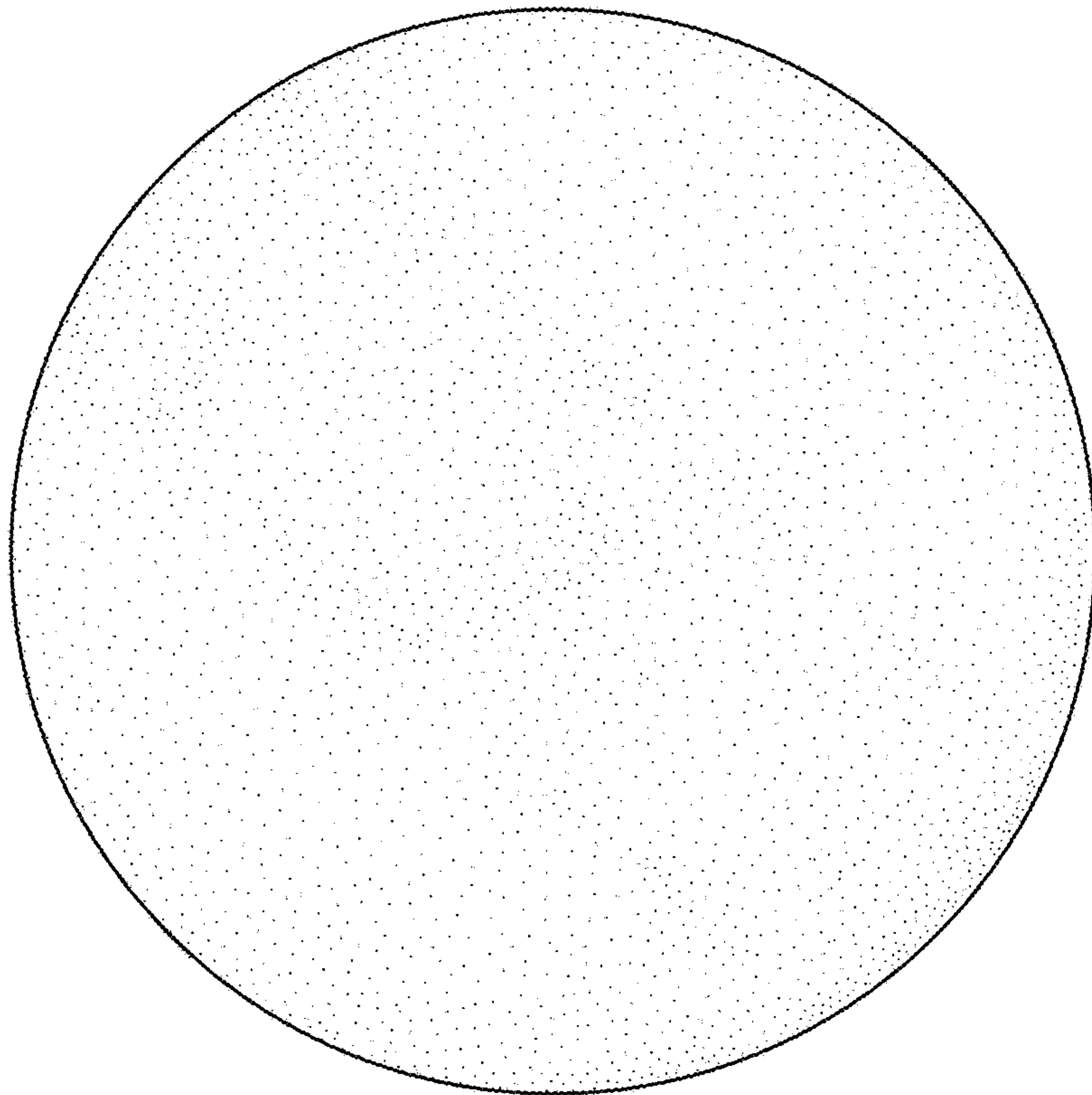


FIG. 3

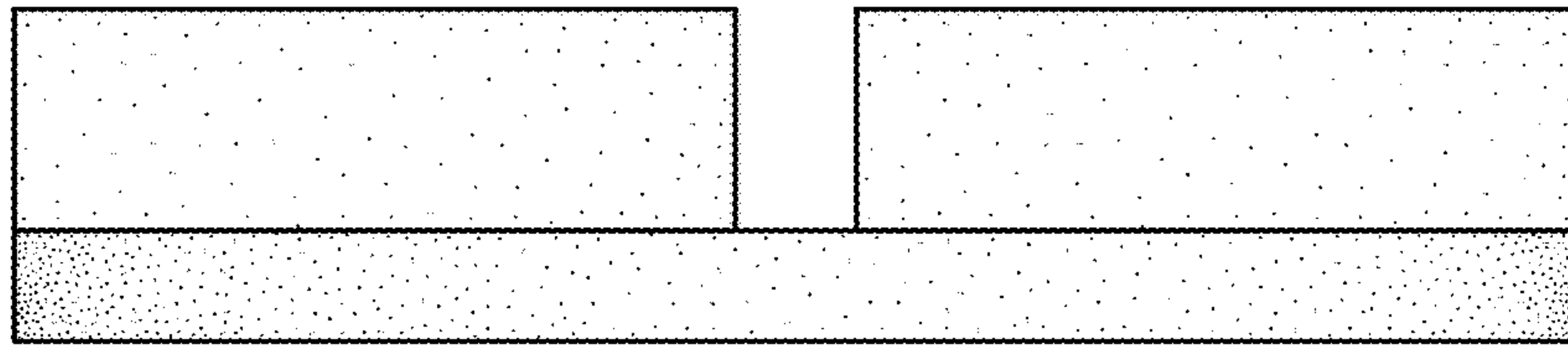


FIG. 4

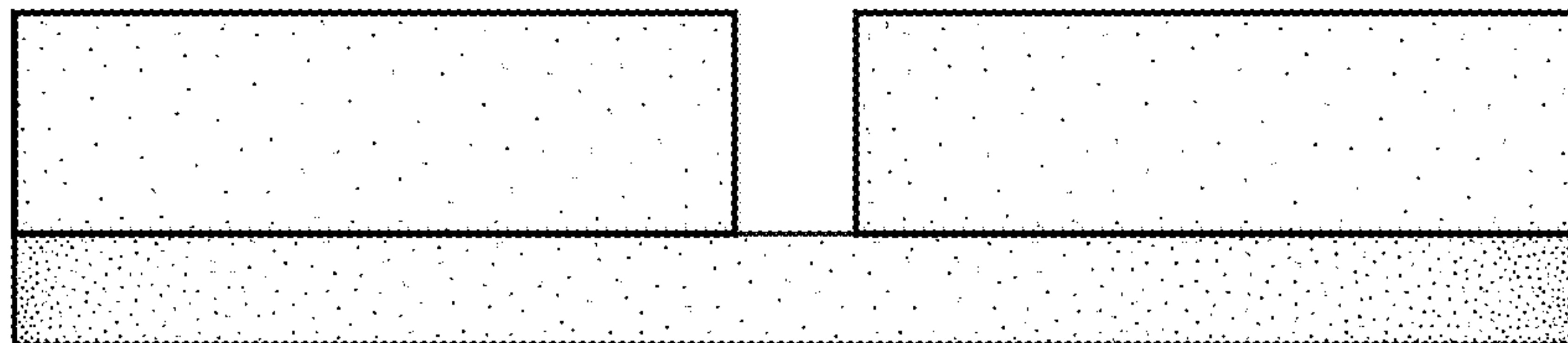


FIG. 5

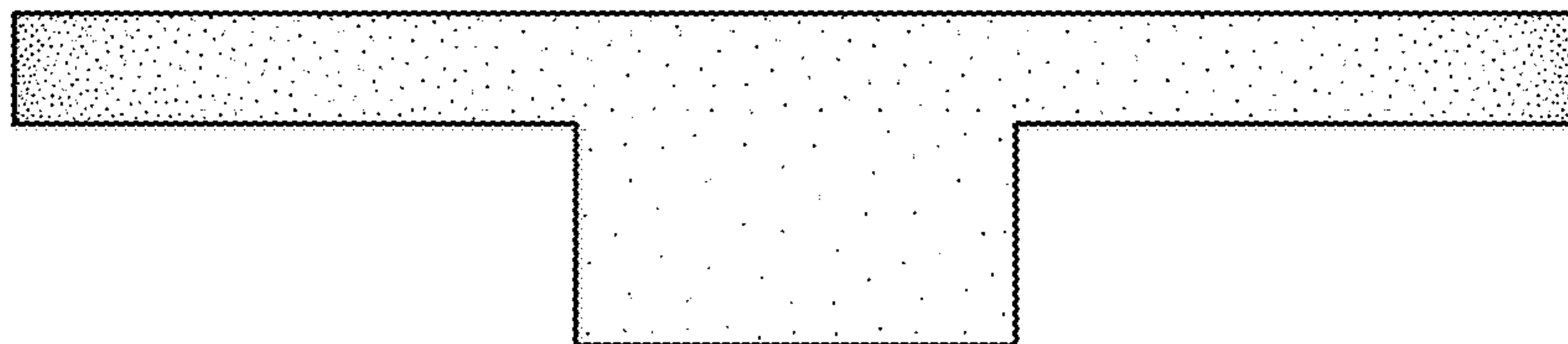


FIG. 6

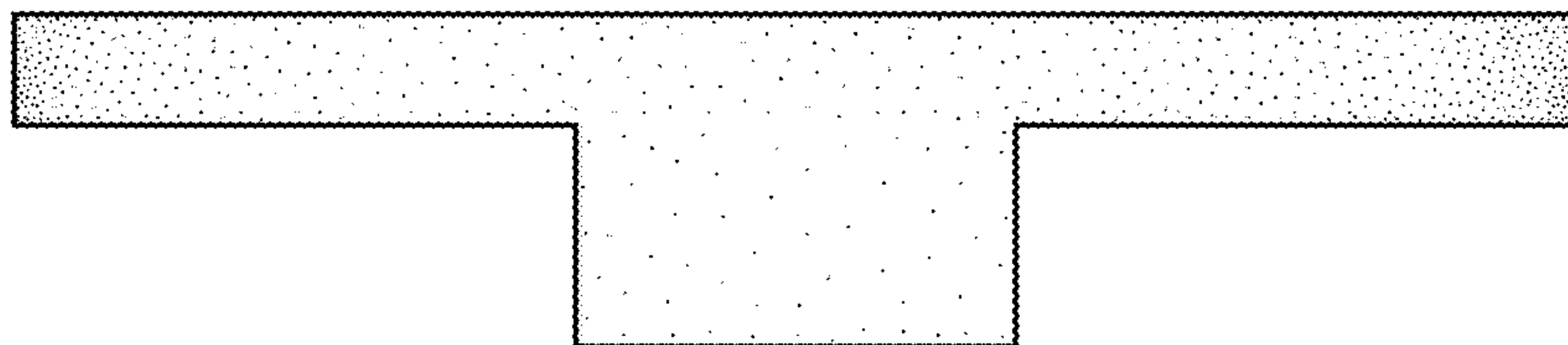


FIG. 7