



US00D867854S

(12) **United States Design Patent**
De La Torre, IV

(10) **Patent No.:** **US D867,854 S**

(45) **Date of Patent:** **** Nov. 26, 2019**

(54) **DECORATIVE MOUNT**

(71) Applicant: **Francisco De La Torre, IV**, Miami, FL
(US)

(72) Inventor: **Francisco De La Torre, IV**, Miami, FL
(US)

(**) Term: **15 Years**

(21) Appl. No.: **29/656,584**

(22) Filed: **Jul. 13, 2018**

(51) **LOC (12) Cl.** **08-05**

(52) **U.S. Cl.**
USPC **D8/354**

(58) **Field of Classification Search**
USPC D8/367, 354
CPC A47B 23/00; A47B 5/02; A47G 7/044;
A47G 7/04
See application file for complete search history.

(56) **References Cited**

U.S. PATENT DOCUMENTS

- 2,898,170 A * 8/1959 Antonius A47B 5/02
108/152
- D349,447 S * 8/1994 Daniller D8/367
- D351,334 S * 10/1994 Sachs D8/367
- D352,653 S * 11/1994 Keddie D8/367
- D364,335 S * 11/1995 Mesna D8/367
- D391,146 S * 2/1998 Cutler D8/367
- D415,067 S * 10/1999 Tung D11/200

- D493,093 S * 7/2004 Goodman D8/367
- D518,363 S * 4/2006 Bradfield D8/367
- 9,814,305 B2 * 11/2017 Brus A47B 5/02

* cited by examiner

Primary Examiner — Holly H Baynham

(57) **CLAIM**

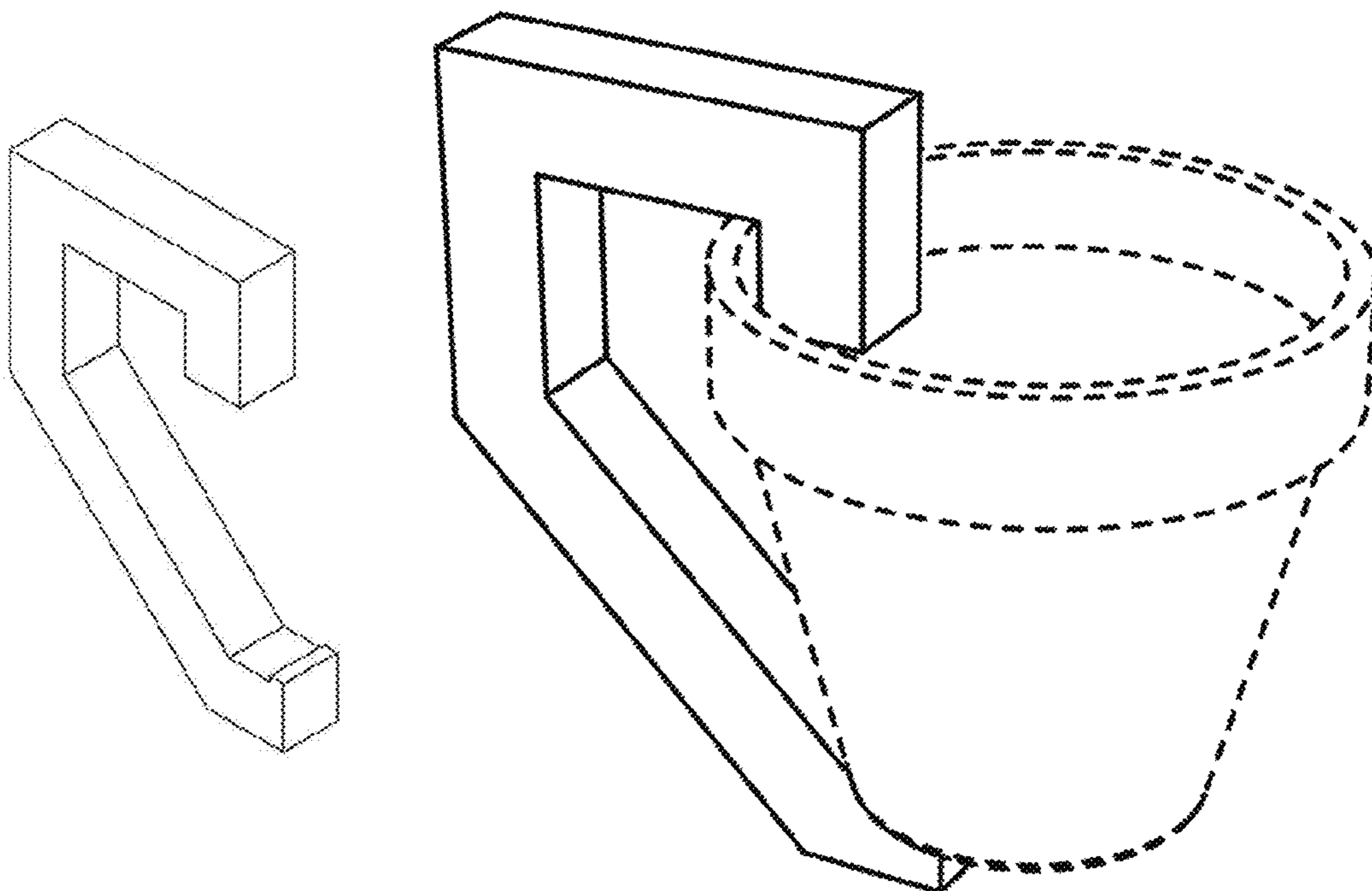
The ornamental design for a decorative mount, as shown and described.

DESCRIPTION

FIG. 1 is a first perspective view of a decorative mount; FIG. 2 is a second perspective view of the decorative mount; FIG. 3 is a first side view of the decorative mount; FIG. 4 is a second side view of the decorative mount; FIG. 5 is a front view of the decorative mount; FIG. 6 is a top view of the decorative mount; FIG. 7 is an enlarged top view of the decorative mount having a planter or pot mounted on the decorative mount; FIG. 8 is a third perspective view of the decorative mount having a planter or pot mounted on the decorative mount; and, FIG. 9 is a reduced scale third side view of the decorative mount attached to a wall or vertical structure, wherein a planter having a plant therein is mounted on the decorative mount.

The dashed or broken lines in the FIG. 2 illustrate part of the means for attaching the decorative mount to the wall or vertical structure and form no part of the claimed design. The dashed or broken lines in the FIGS. 7 and 8 illustrate a planter or pot and plant and form no part of the claimed design. The dashed broken lines in the FIG. 9 illustrate a planter or pot, plant and wall or vertical structure and form no part of the claimed design.

1 Claim, 9 Drawing Sheets



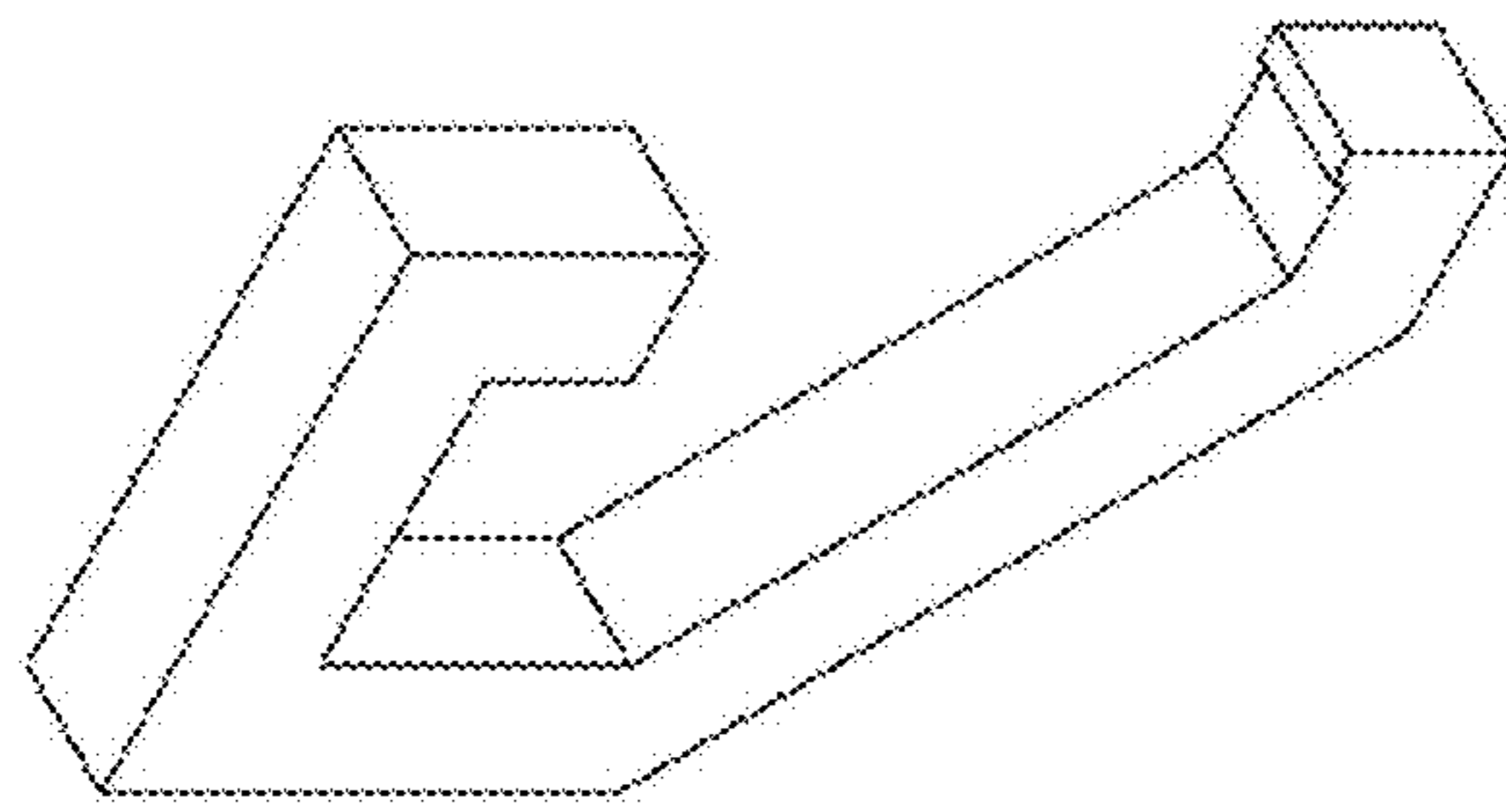


Fig. 1

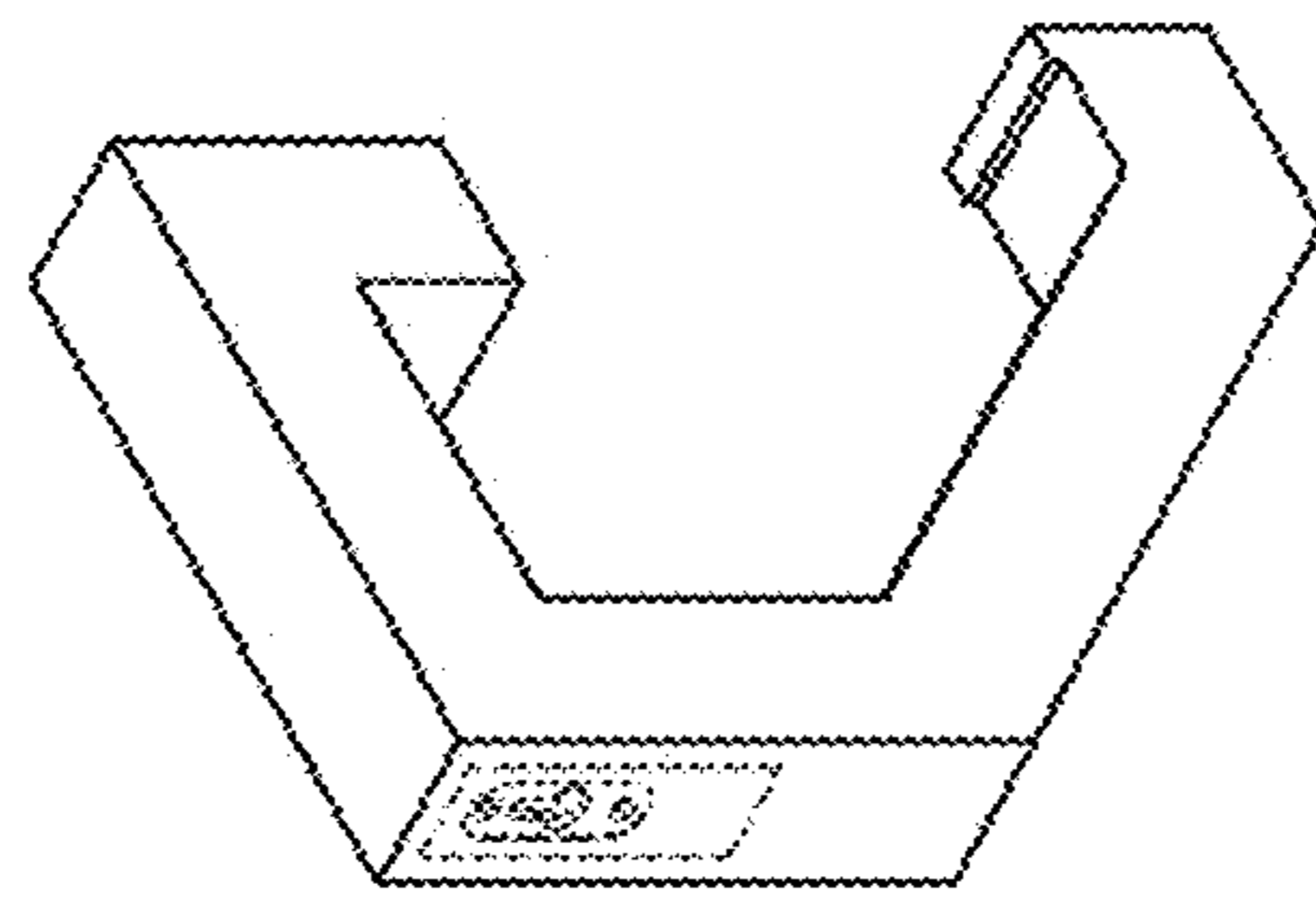


Fig. 2

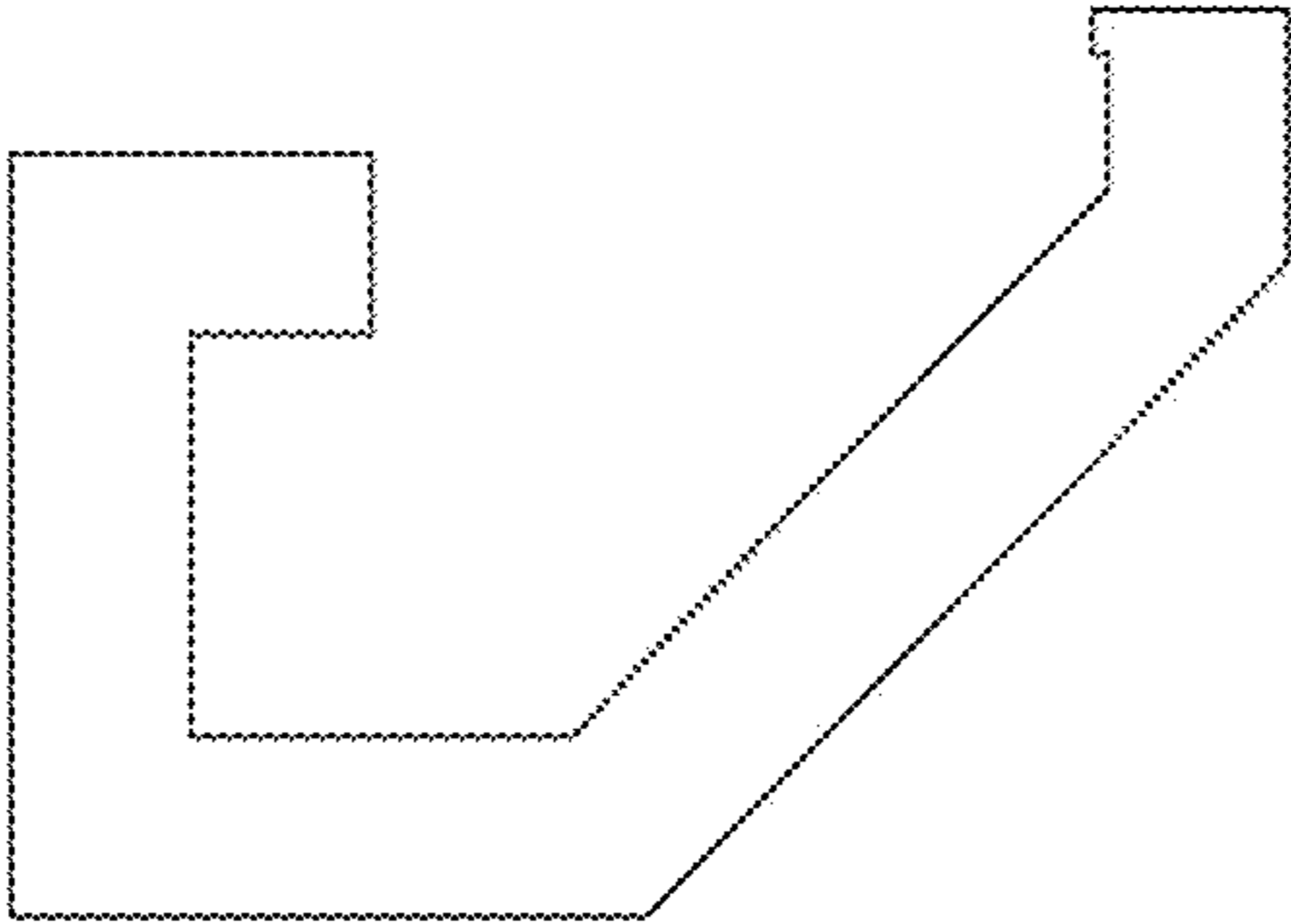


Fig. 3

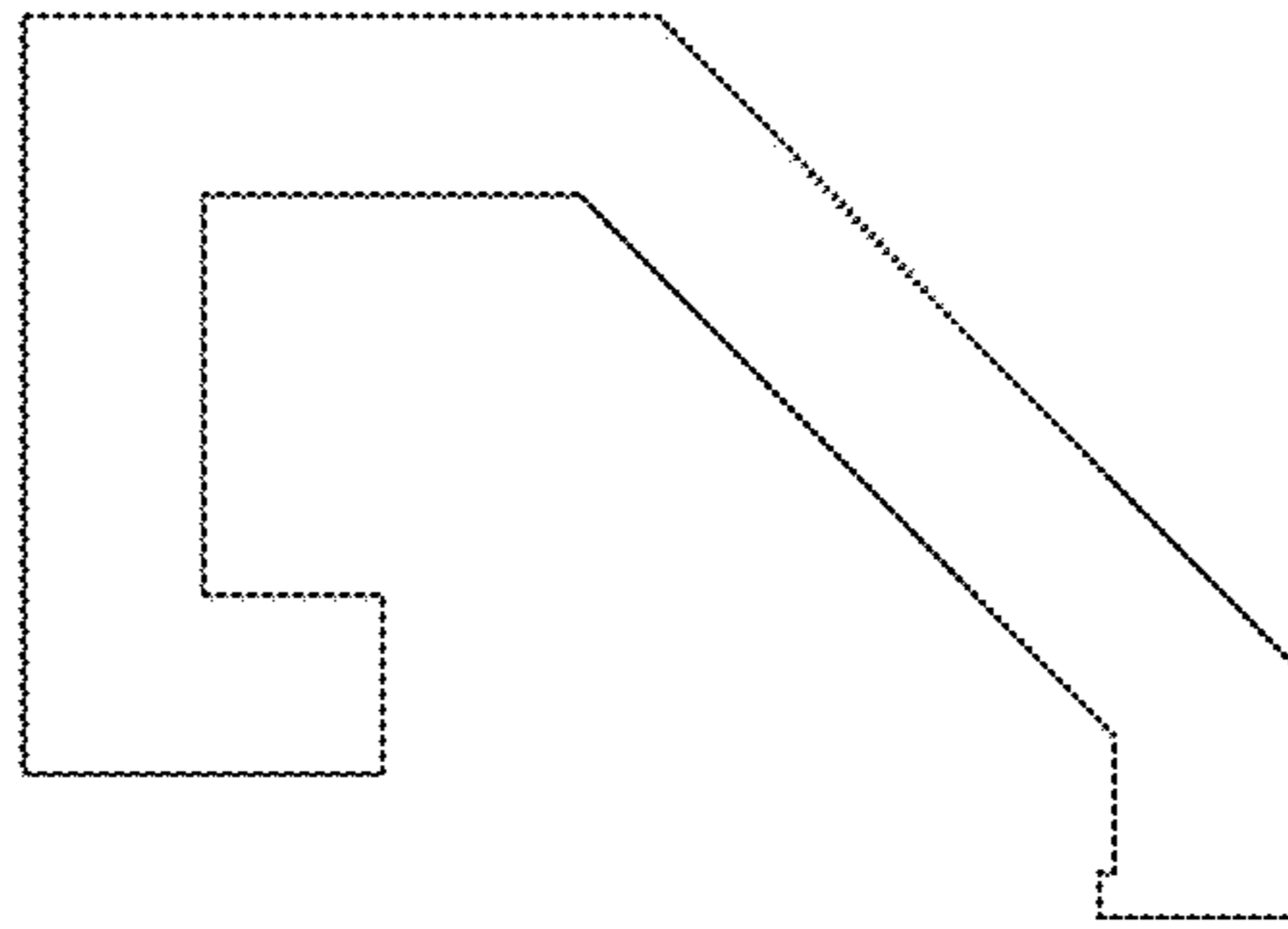


Fig. 4



Fig. 5



Fig. 6

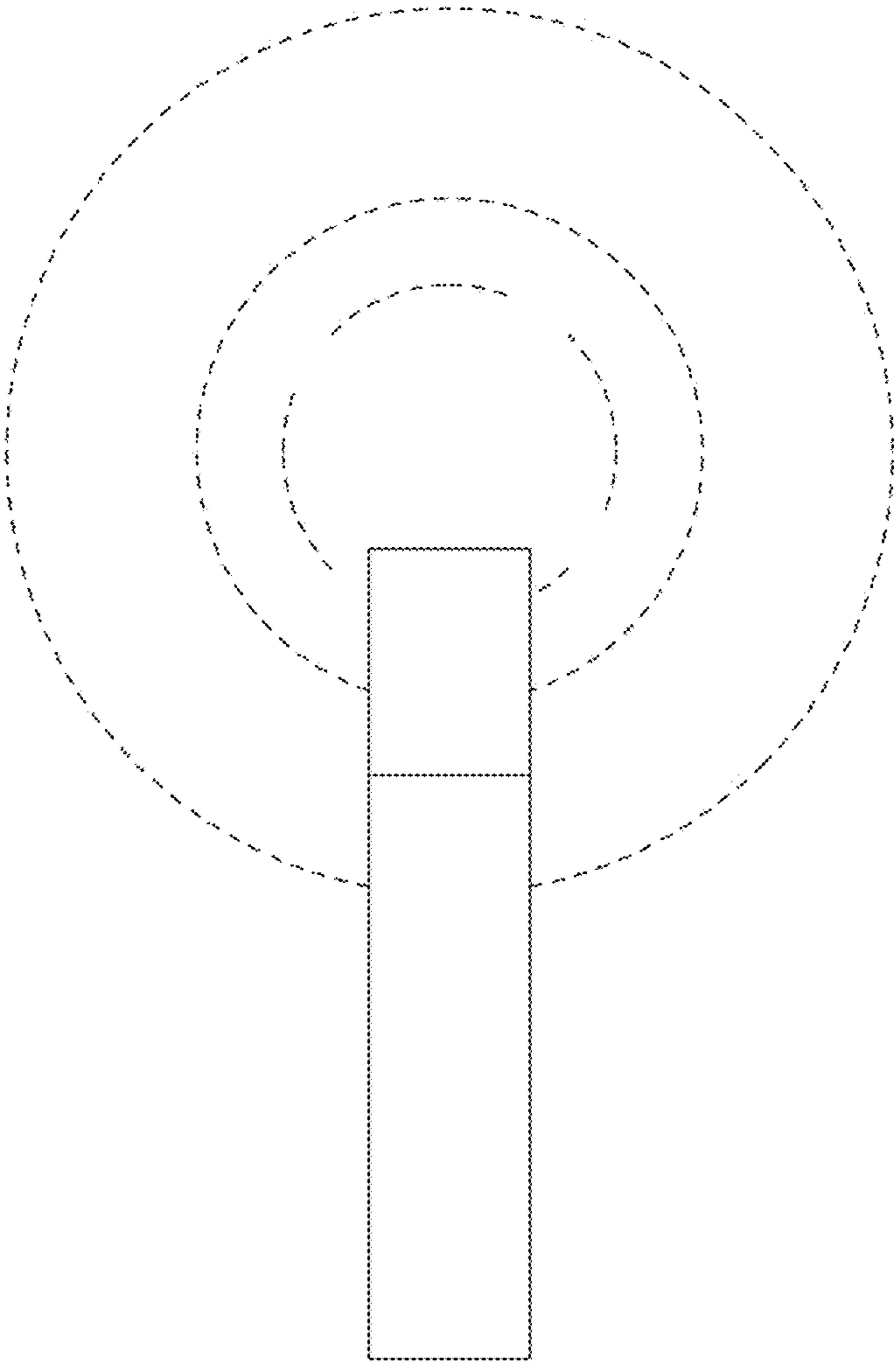


Fig. 7
top view

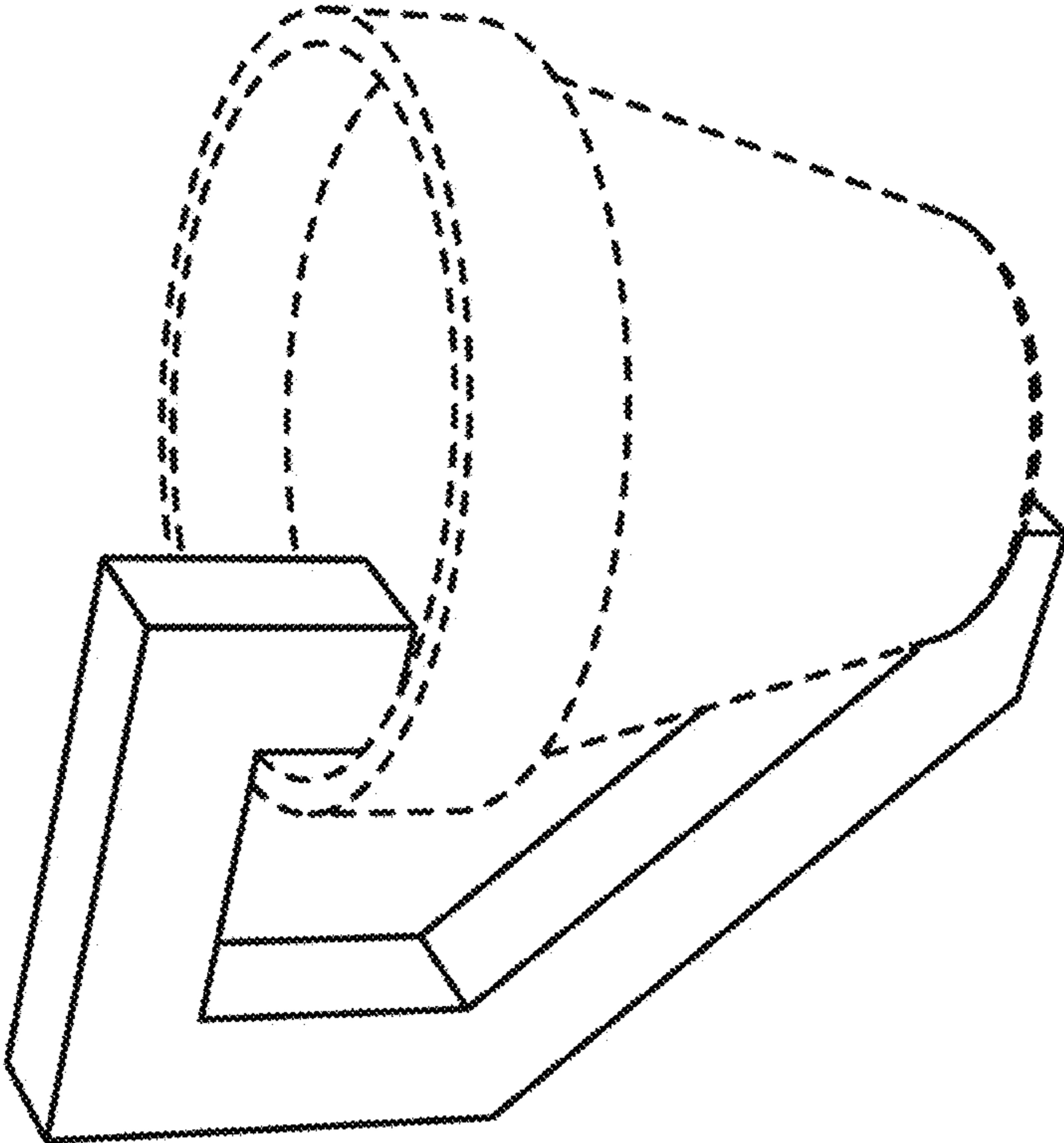


Fig. 8

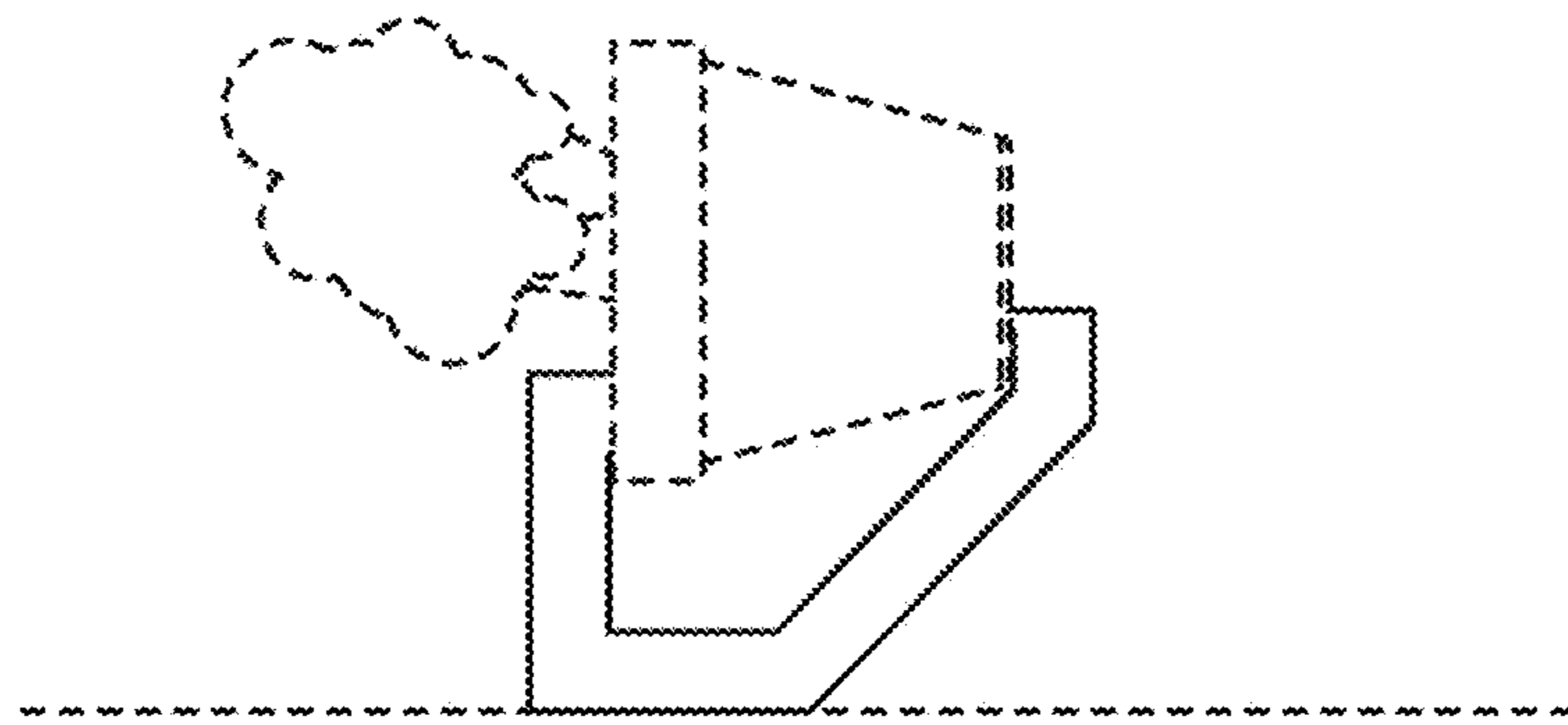


Fig. 9