



US00D867851S

(12) **United States Design Patent** (10) **Patent No.:** **US D867,851 S**  
**Griswold et al.** (45) **Date of Patent:** **\*\* Nov. 26, 2019**

(54) **EXIT DEVICE**

(71) Applicant: **Sargent Manufacturing Company,**  
New Haven, CT (US)

(72) Inventors: **Lee Griswold,** Bethel, CT (US); **Sean Svendsen,** Sunbury, OH (US); **Eric Fickas,** Plain City, OH (US)

(73) Assignee: **Sargent Manufacturing Company,**  
New Haven, CT (US)

(\*\*) Term: **15 Years**

(21) Appl. No.: **29/643,446**

(22) Filed: **Apr. 9, 2018**

(51) **LOC (12) Cl.** ..... **08-06**

(52) **U.S. Cl.**  
USPC ..... **D8/315**

(58) **Field of Classification Search**  
USPC ..... D8/300, 302, 315, 316, 319, 320, 321,  
D8/404, 330, 331, 338, 341, 349  
CPC ..... Y10T 292/0908; Y10T 70/5159  
See application file for complete search history.

(56) **References Cited**

**U.S. PATENT DOCUMENTS**

3,663,047	A *	5/1972	Zawadzki	.....	E05B 65/1053 292/92
3,877,262	A *	4/1975	Williams	.....	E05B 65/1073 70/92
4,167,280	A *	9/1979	Godec	.....	E05B 65/1053 292/21
D268,003	S *	2/1983	Ohno	.....	D8/302
4,624,490	A	11/1986	Miller		
D297,806	S *	9/1988	Mohn	.....	D8/302
4,796,931	A	1/1989	Heid		

(Continued)

**OTHER PUBLICATIONS**

U.S. Appl. No. 29/678,269, filed Jan. 28, 2019, Griswold.  
U.S. Appl. No. 29/678,302, filed Jan. 28, 2019, Griswold.  
U.S. Appl. No. 29/643,448, filed Apr. 9, 2018, Griswold et al.

*Primary Examiner* — Janice Hallmark  
*Assistant Examiner* — Harold E Blackwell, II  
(74) *Attorney, Agent, or Firm* — Wolf, Greenfield & Sacks, P.C.

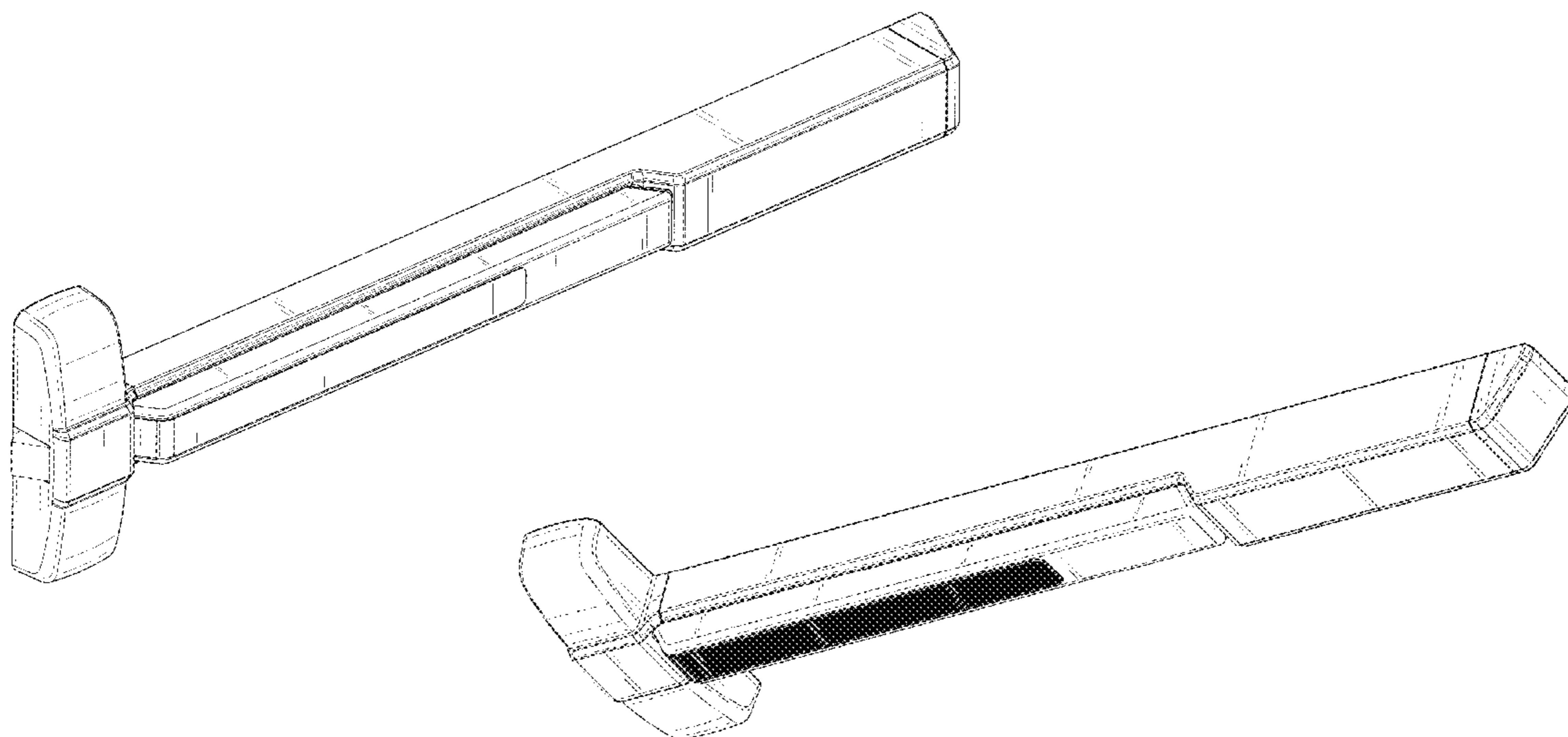
(57) **CLAIM**

The ornamental design for an exit device, as shown and described.

**DESCRIPTION**

FIG. 1 is a top, front, left side perspective view of an embodiment of an exit device;  
FIG. 2 is a top, front, right side perspective view of FIG. 1;  
FIG. 3 is a front elevation view of FIG. 1;  
FIG. 4 is a rear elevation view of FIG. 1;  
FIG. 5 is a left side elevation view of FIG. 1;  
FIG. 6 is a right side elevation view of FIG. 1;  
FIG. 7 is a top plan view of FIG. 1;  
FIG. 8 is a bottom plan view of FIG. 1;  
FIG. 9 is a top, front, left side perspective view of another embodiment of an exit device;  
FIG. 10 is a top, front, right side perspective view of FIG. 9;  
FIG. 11 is a front elevation view of FIG. 9;  
FIG. 12 is a rear elevation view of FIG. 9;  
FIG. 13 is a left side elevation view of FIG. 9;  
FIG. 14 is a right side elevation view of FIG. 9;  
FIG. 15 is a top plan view of FIG. 9; and,  
FIG. 16 is a bottom plan view of FIG. 9.  
The dash-dash broken lines show portions of the exit device that form no part of the claimed design. The dot-dash broken lines represent boundaries of the claimed design and form no part of the claimed design. Any broken line illustration of environmental structure in the drawing is not part of the design sought to be patented.

**1 Claim, 16 Drawing Sheets**



(56)

References Cited

U.S. PATENT DOCUMENTS

4,961,330 A 10/1990 Evans  
D318,410 S \* 7/1991 Mohn ..... D8/302  
5,042,851 A 8/1991 Hunt  
D331,182 S \* 11/1992 Hsien ..... D8/302  
6,532,777 B2 3/2003 Haeck et al.  
6,779,819 B2 8/2004 Surko, Jr.  
7,204,050 B2 4/2007 Molokotos et al.  
D578,860 S \* 10/2008 James ..... D8/302  
7,469,942 B2 \* 12/2008 Whitaker ..... E05B 65/108  
292/92  
D604,585 S \* 11/2009 Veltz ..... D8/302  
7,832,778 B2 11/2010 Whitaker et al.  
7,905,522 B1 3/2011 Picard  
8,156,671 B2 4/2012 Presley et al.  
D669,333 S \* 10/2012 Tien ..... D8/330  
D669,334 S \* 10/2012 Tien ..... D8/330  
D669,335 S \* 10/2012 Tien ..... D8/330  
D669,336 S \* 10/2012 Tien ..... D8/330  
D669,337 S \* 10/2012 Tien ..... D8/330  
D669,338 S \* 10/2012 Tien ..... D8/330  
8,495,836 B2 \* 7/2013 Lowder ..... E05B 65/1053  
292/92  
9,376,835 B2 6/2016 Schildwachter et al.  
9,428,924 B2 8/2016 Harris et al.  
9,816,291 B2 \* 11/2017 Wong ..... E05B 43/005  
9,878,305 B2 1/2018 Hossain et al.  
9,945,158 B2 4/2018 Lehner, Jr. et al.

\* cited by examiner

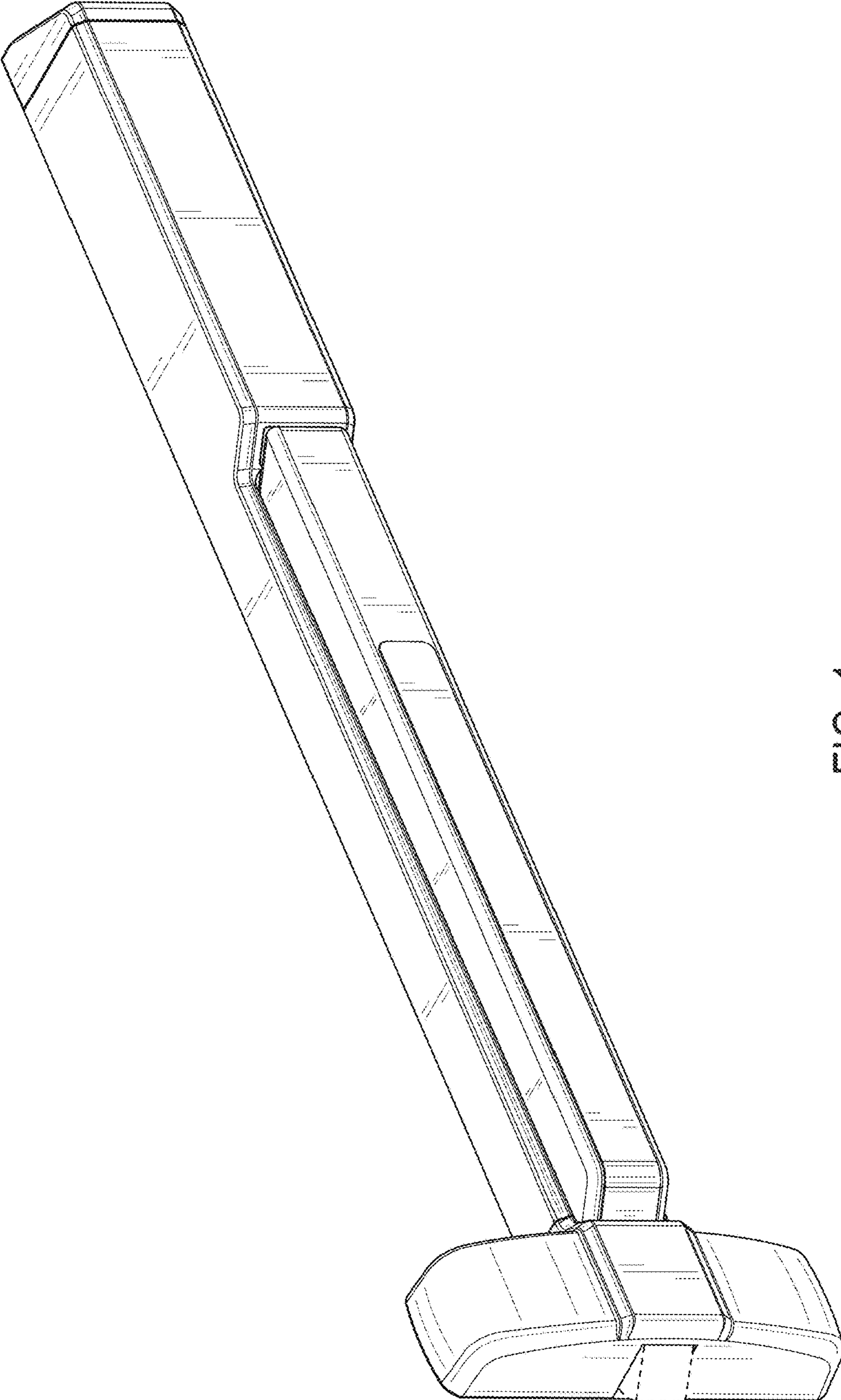


FIG. 1

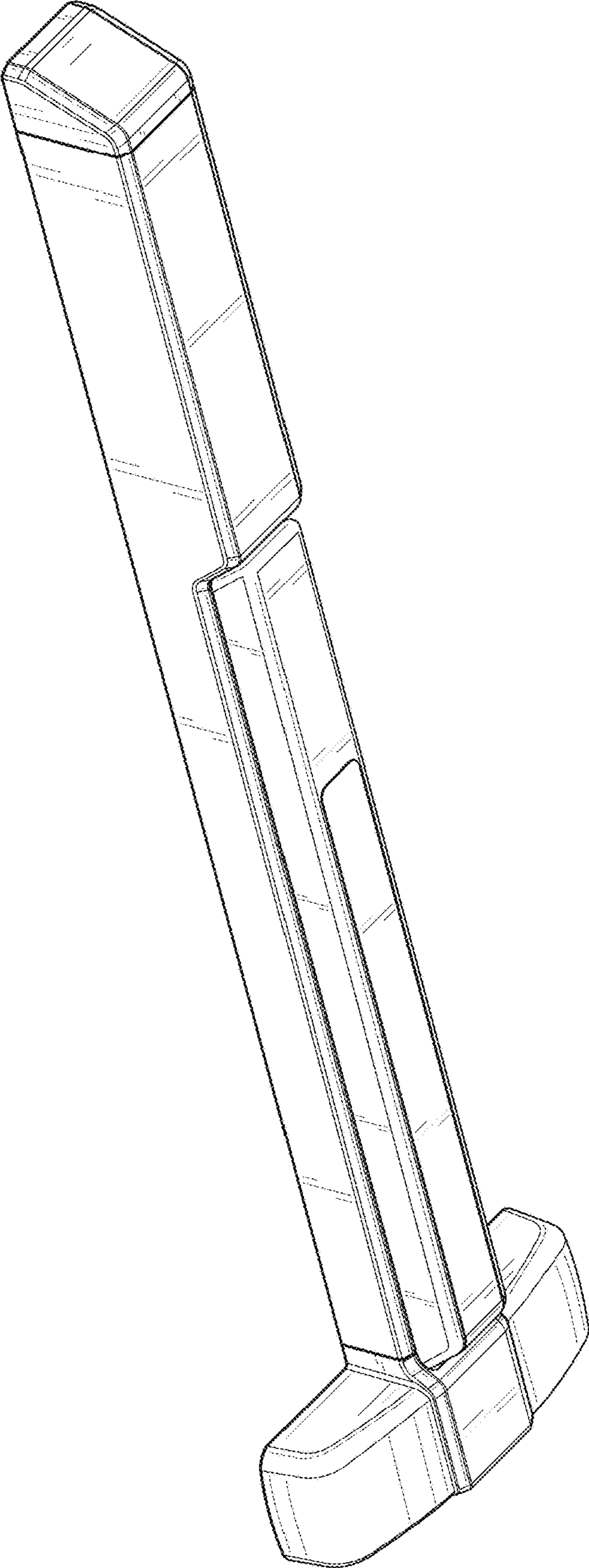


FIG. 2

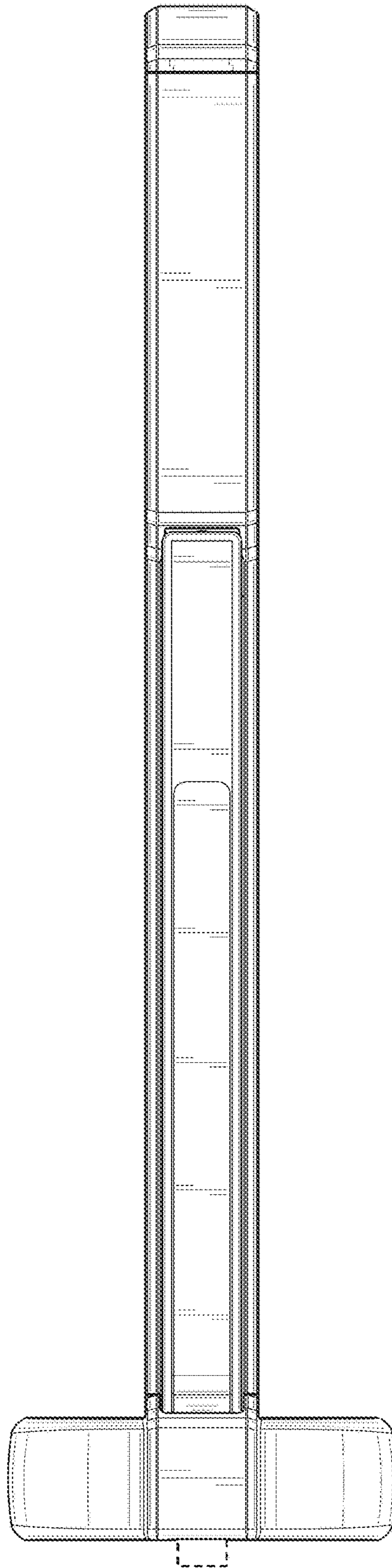


FIG. 3

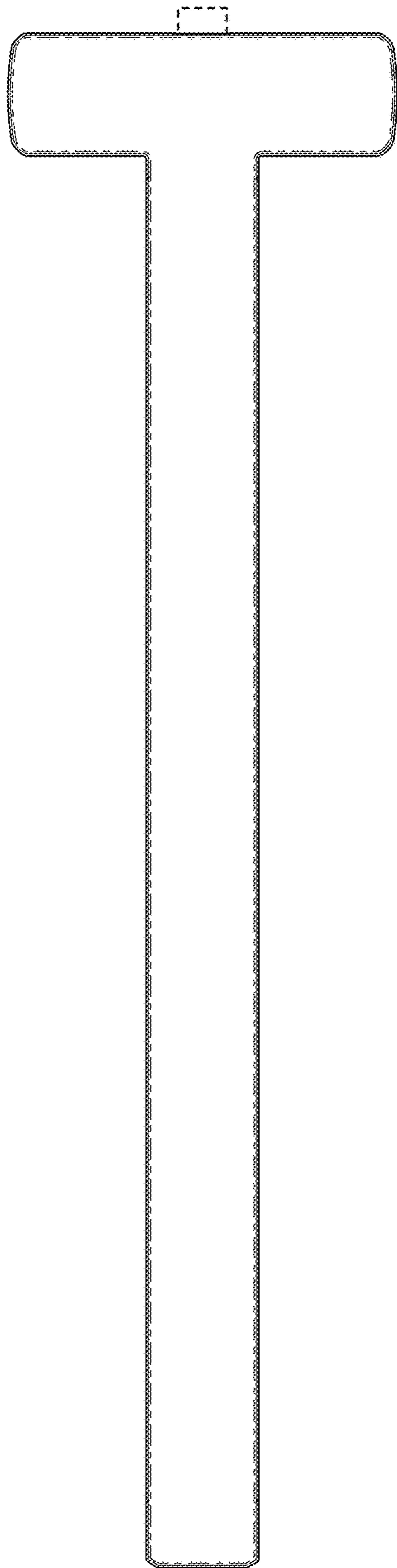


FIG. 4

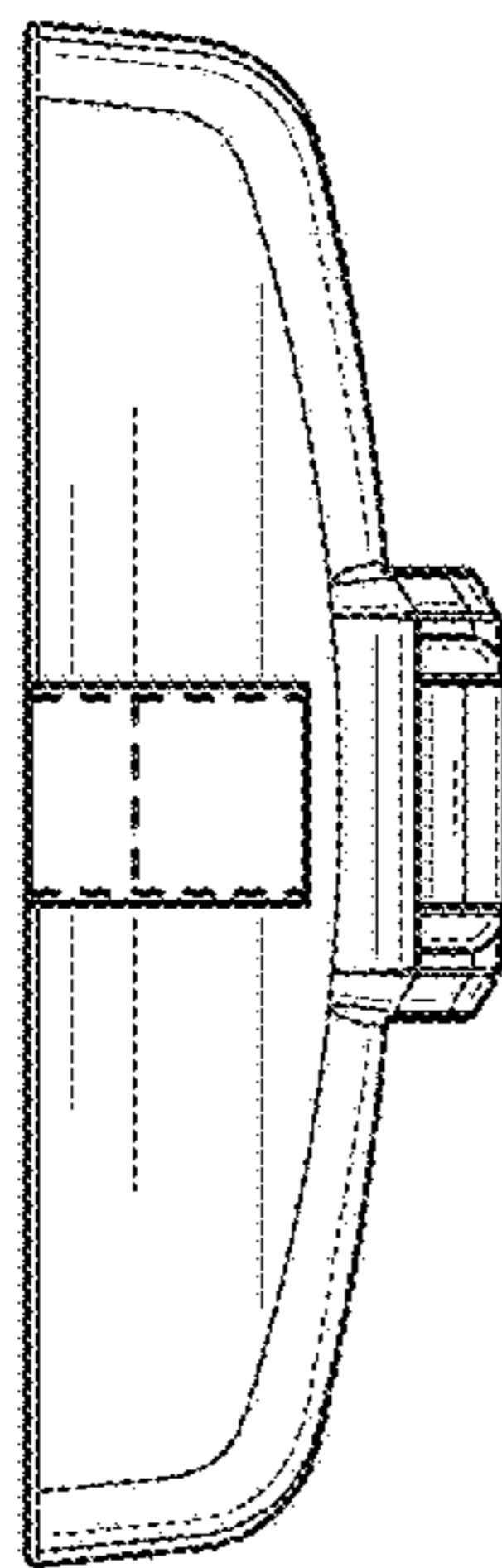


FIG. 5

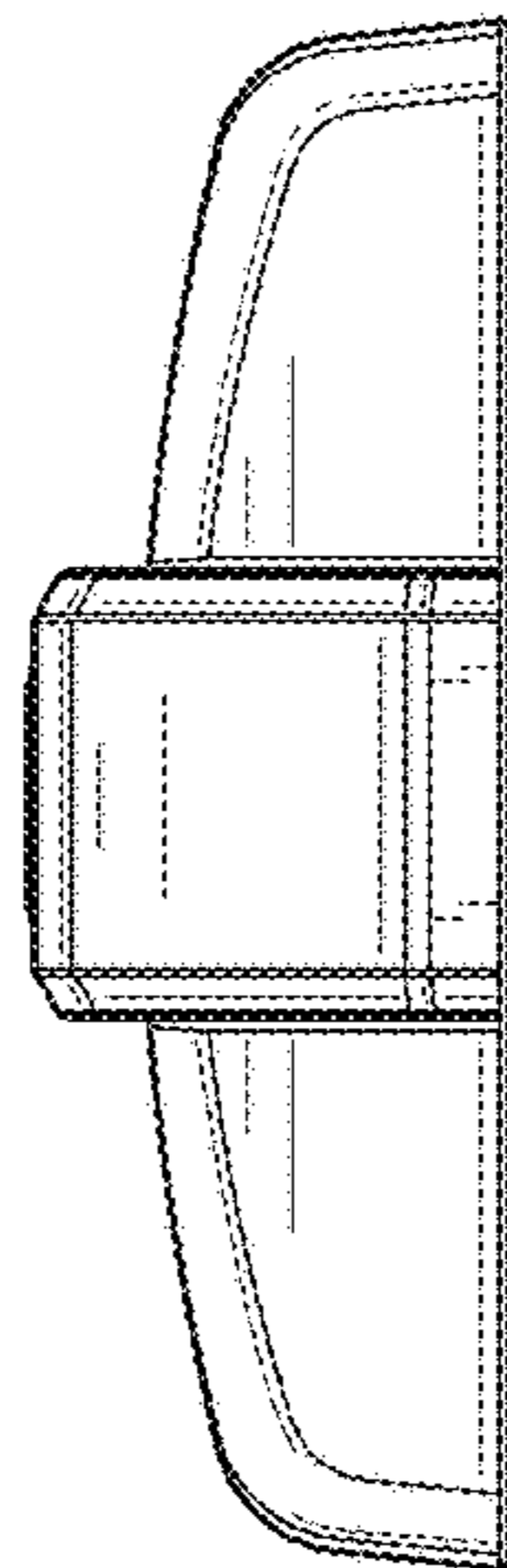


FIG. 6



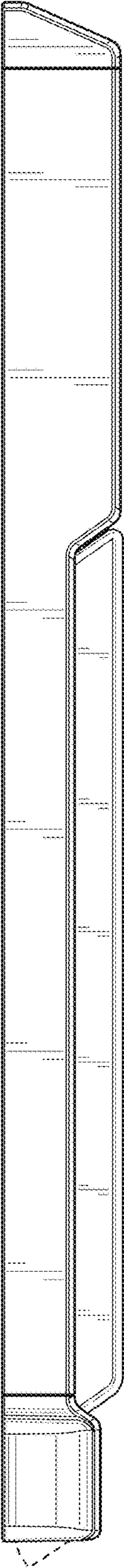


FIG. 7

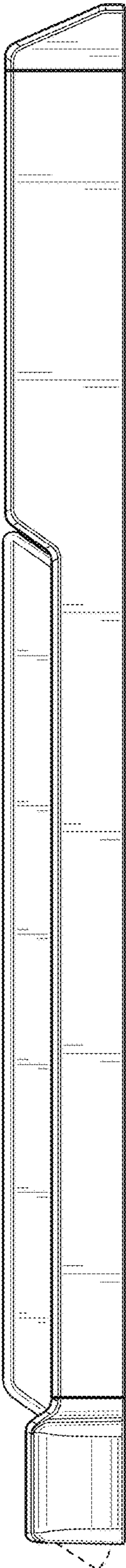


FIG. 8

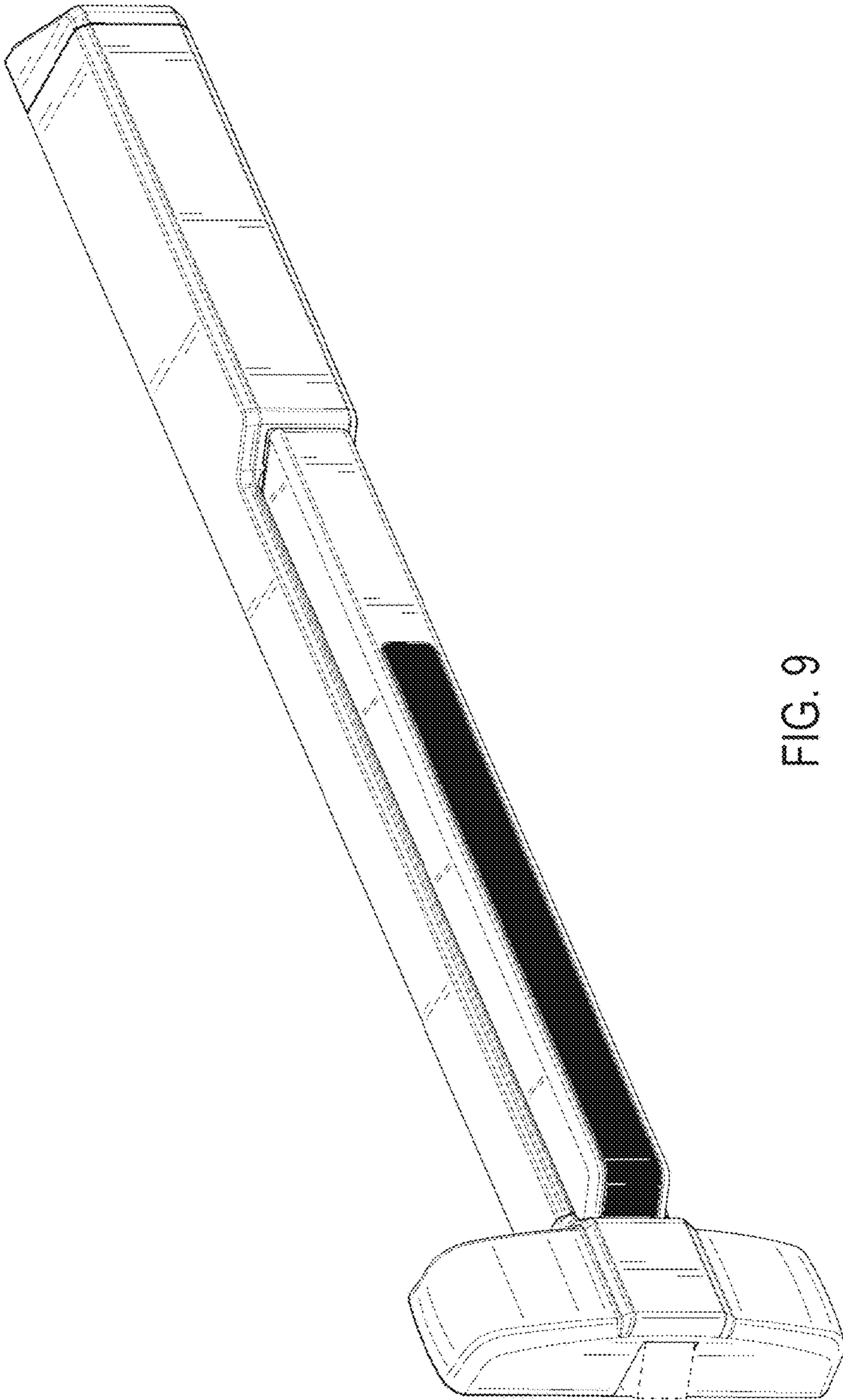


FIG. 9

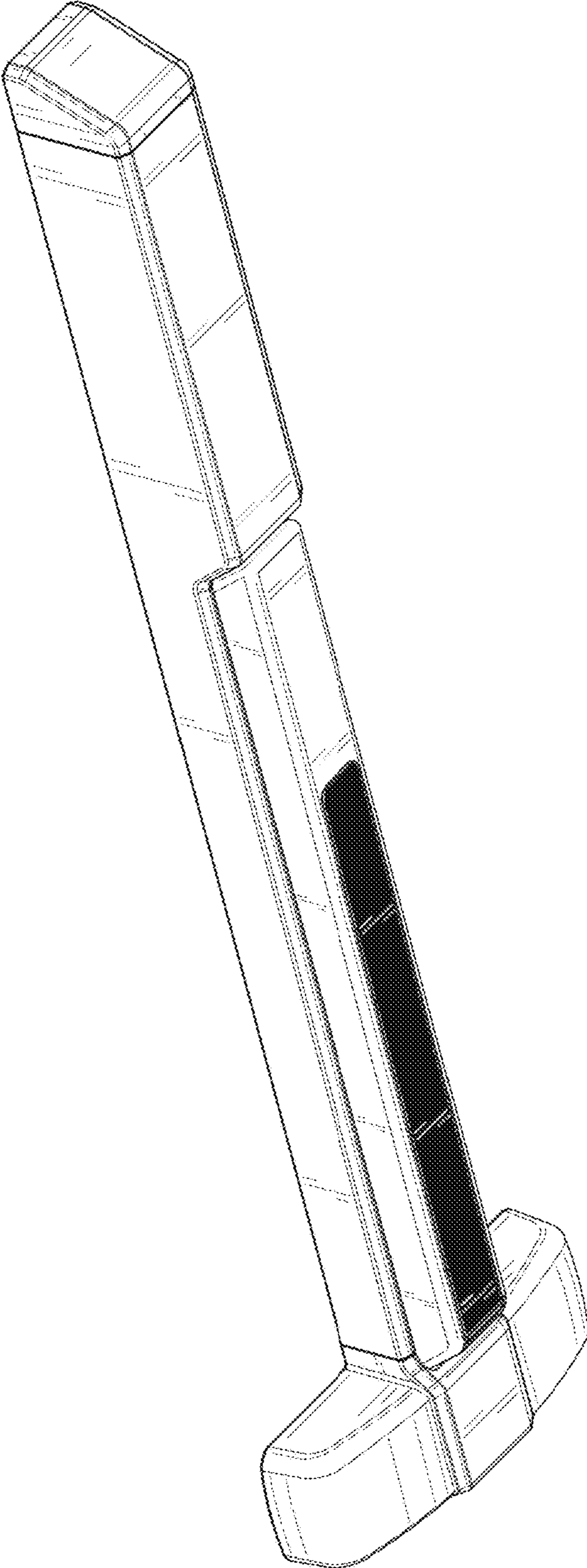


FIG. 10

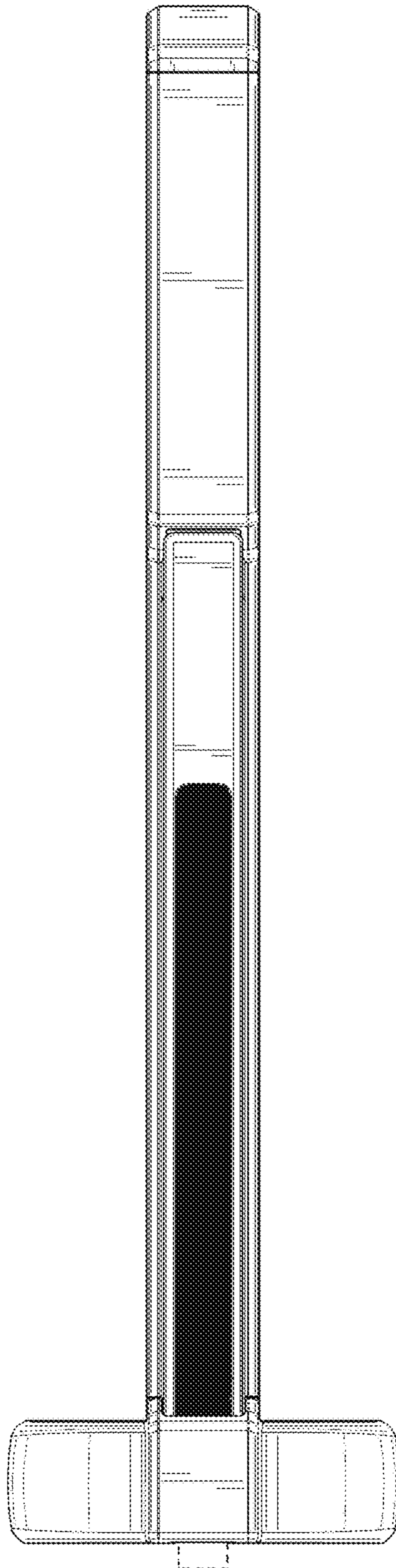


FIG. 11

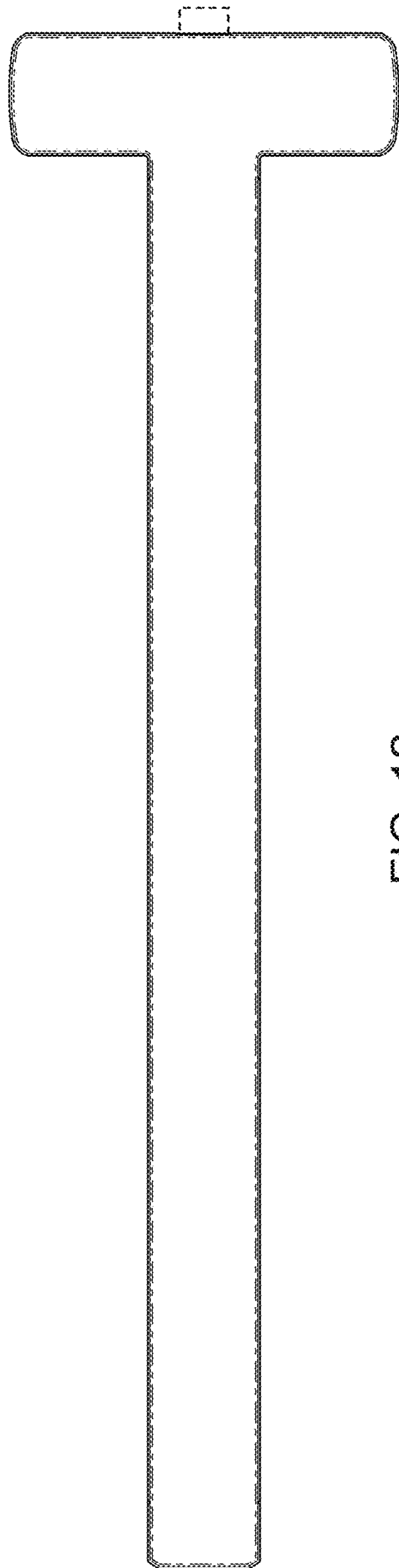


FIG. 12

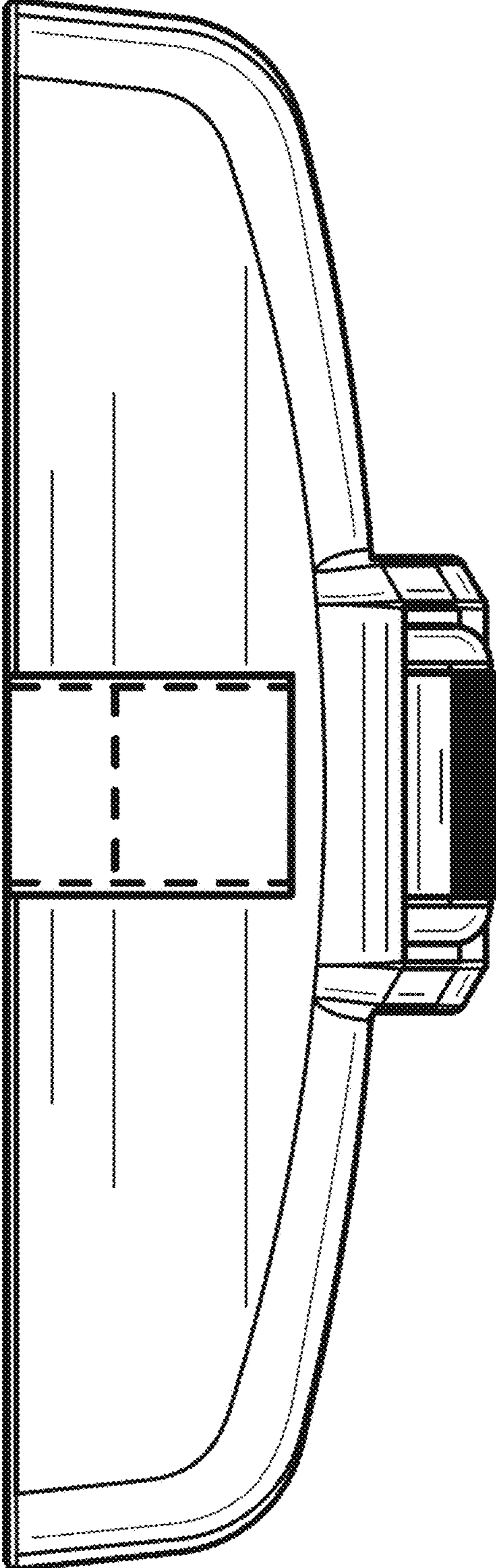


FIG. 13

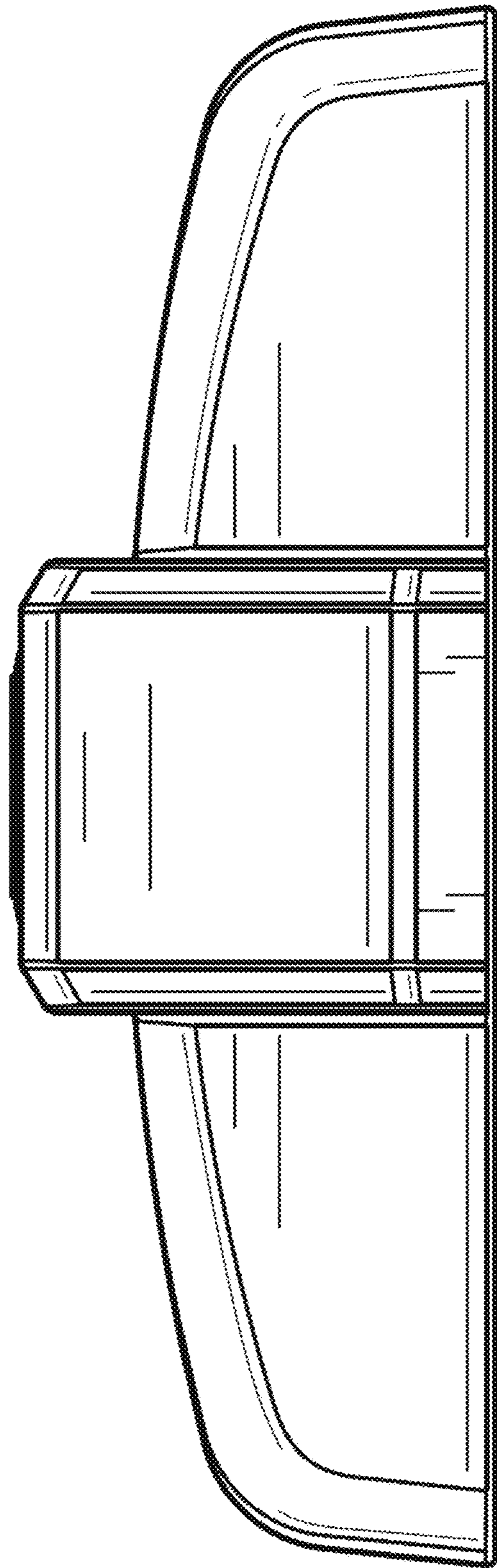


FIG. 14



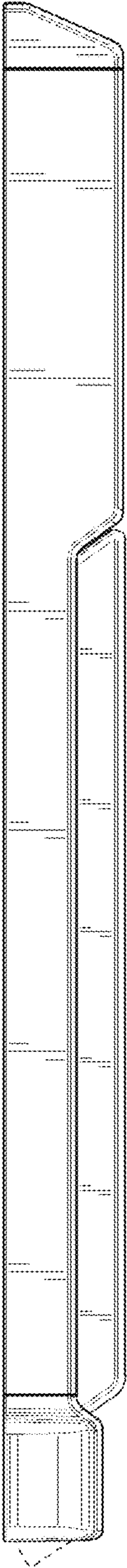


FIG. 15

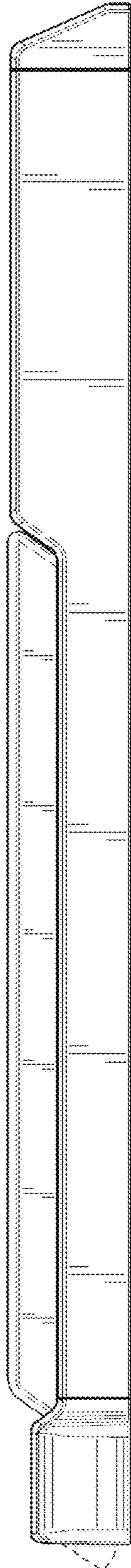


FIG. 16