



US00D867850S

(12) **United States Design Patent** (10) **Patent No.:** **US D867,850 S**
Williams et al. (45) **Date of Patent:** **** Nov. 26, 2019**

- (54) **FAUCET DIAL**
- (71) Applicant: **AS America, Inc.**, Piscataway, NJ (US)
- (72) Inventors: **Emilie Williams**, South Plainfield, NJ (US); **Greg Reinecker**, Brooklyn, NY (US); **Jean-Jacques L’Henaff**, New Canaan, CT (US)
- (73) Assignee: **AS America, Inc.**, Piscataway, NJ (US)
- (**) Term: **15 Years**
- (21) Appl. No.: **29/626,825**
- (22) Filed: **Nov. 20, 2017**
- (51) **LOC (12) Cl.** **08-06**
- (52) **U.S. Cl.**
USPC **D8/312**
- (58) **Field of Classification Search**
USPC D8/107, 300, 301, 307, 310, 311, 312;
D23/250, 421; D7/393, 394, 396, 402,
D7/406, 543, 545, 547, 548
CPC ... Y10T 292/57; Y10T 292/82; Y10T 16/469;
Y10T 16/44; Y10T 16/476; Y10T
74/2084; Y10T 292/85; Y10T 74/2087;
Y10T 16/4713; Y10T 16/506; Y10T
74/20876; Y10T 74/20612; Y10T
70/5765; Y10T 16/459; Y10T 74/2066;
Y10T 16/487; Y10T 74/20822
See application file for complete search history.

- D475,269 S * 6/2003 Matern D8/312
- D479,310 S 9/2003 Ziemann
- D520,859 S * 5/2006 Osiecki D8/312
- D541,384 S 4/2007 Citterio
- D562,347 S * 2/2008 Morisawa D14/246
- D589,776 S * 4/2009 Camp D8/310
- D652,898 S * 1/2012 Flowers D23/252

(Continued)

OTHER PUBLICATIONS

Notice of Allowance dated Nov. 16, 2018, directed to MX Application No. MX/f/2018/001246; 5 pages.
Notice of Allowance dated Nov. 16, 2018, directed to MX Application No. MX/f/2018/001248; 5 pages.

(Continued)

Primary Examiner — Lauren R Calve
(74) *Attorney, Agent, or Firm* — Morrison & Foerster LLP

(57) **CLAIM**

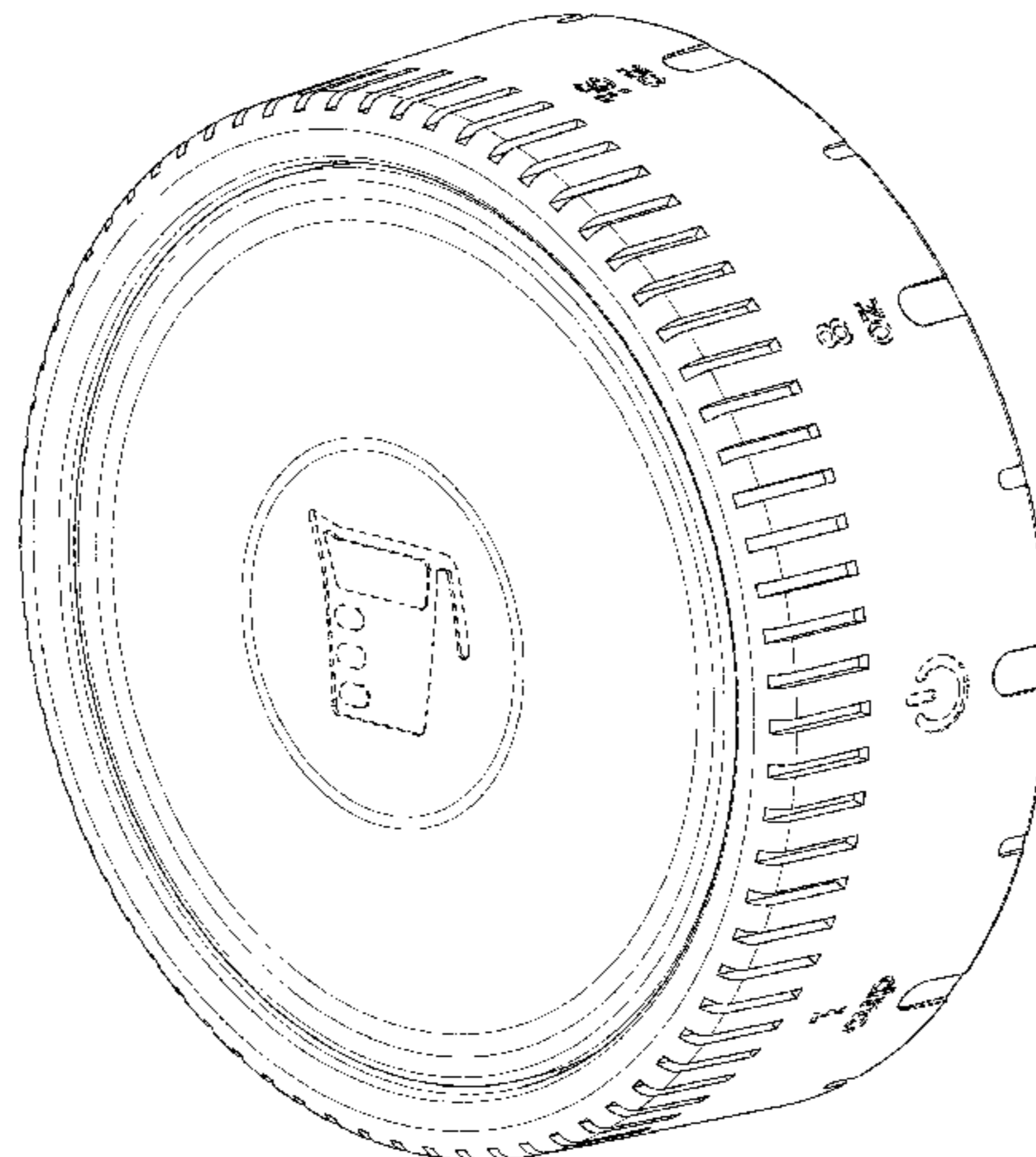
We claim the ornamental design for a faucet dial, as shown and described.

DESCRIPTION

FIG. 1 is a front perspective view of a faucet dial showing our new design;
FIG. 2 is a rear perspective view thereof;
FIG. 3 is a front perspective view thereof showing environment;
FIG. 4 is a rear perspective view thereof showing environment;
FIG. 5 is a front view thereof;
FIG. 6 is a side view thereof;
FIG. 7 is a bottom view thereof;
FIG. 8 is a top view thereof; and,
FIG. 9 is side view of the opposite side of FIG. 6.
The broken lines shown in the drawings illustrate portions of a faucet dial that form no part of the claimed design.

1 Claim, 6 Drawing Sheets

- (56) **References Cited**
U.S. PATENT DOCUMENTS
D150,346 S * 7/1948 Felver D8/312
2,943,596 A * 7/1960 Frost G05G 1/10
116/309
D189,142 S * 11/1960 Heckman D8/311
D223,799 S 6/1972 Jensen
D253,686 S * 12/1979 Wooldridge D8/312
D268,846 S * 5/1983 Jolliffe D18/12
5,518,440 A * 5/1996 Bone B24B 45/006
451/342
5,758,690 A 6/1998 Humpert



(56)

References Cited

U.S. PATENT DOCUMENTS

8,264,338	B2 *	9/2012	Leon	B60K 37/06 340/456
D668,928	S *	10/2012	Butan	D8/312
D689,595	S	9/2013	Georgeson	
D778,408	S	2/2017	Rexach	
D786,650	S *	5/2017	Lira-Nunez	D8/311
D795,395	S	8/2017	Kington	
9,845,868	B2 *	12/2017	Lee	F16H 59/08
D828,511	S	9/2018	Liu	
D828,518	S	9/2018	Boal	
2003/0029261	A1 *	2/2003	DeJonge	B60K 37/06 74/335
2003/0178280	A1 *	9/2003	Eto	B25B 23/14 192/110 R
2009/0084220	A1 *	4/2009	Morizono	B60H 1/0065 74/501.6
2011/0203571	A1 *	8/2011	Schnetzer	C25D 5/12 126/39 R
2014/0013897	A1 *	1/2014	Clauss	G05G 1/10 74/553
2014/0047943	A1 *	2/2014	Camli	G05G 1/08 74/553

OTHER PUBLICATIONS

Notification to Grant Patent Right dated Dec. 27, 2018, directed to CN Application No. 201830230612.9; 5 pages.

Examination Report dated Feb. 18, 2019, directed to CA Application No. 181494; 1 page.

Notification to Grant Patent Right dated Mar. 6, 2019, directed to CN Application No. 201830230590.6; 6 pages.

* cited by examiner

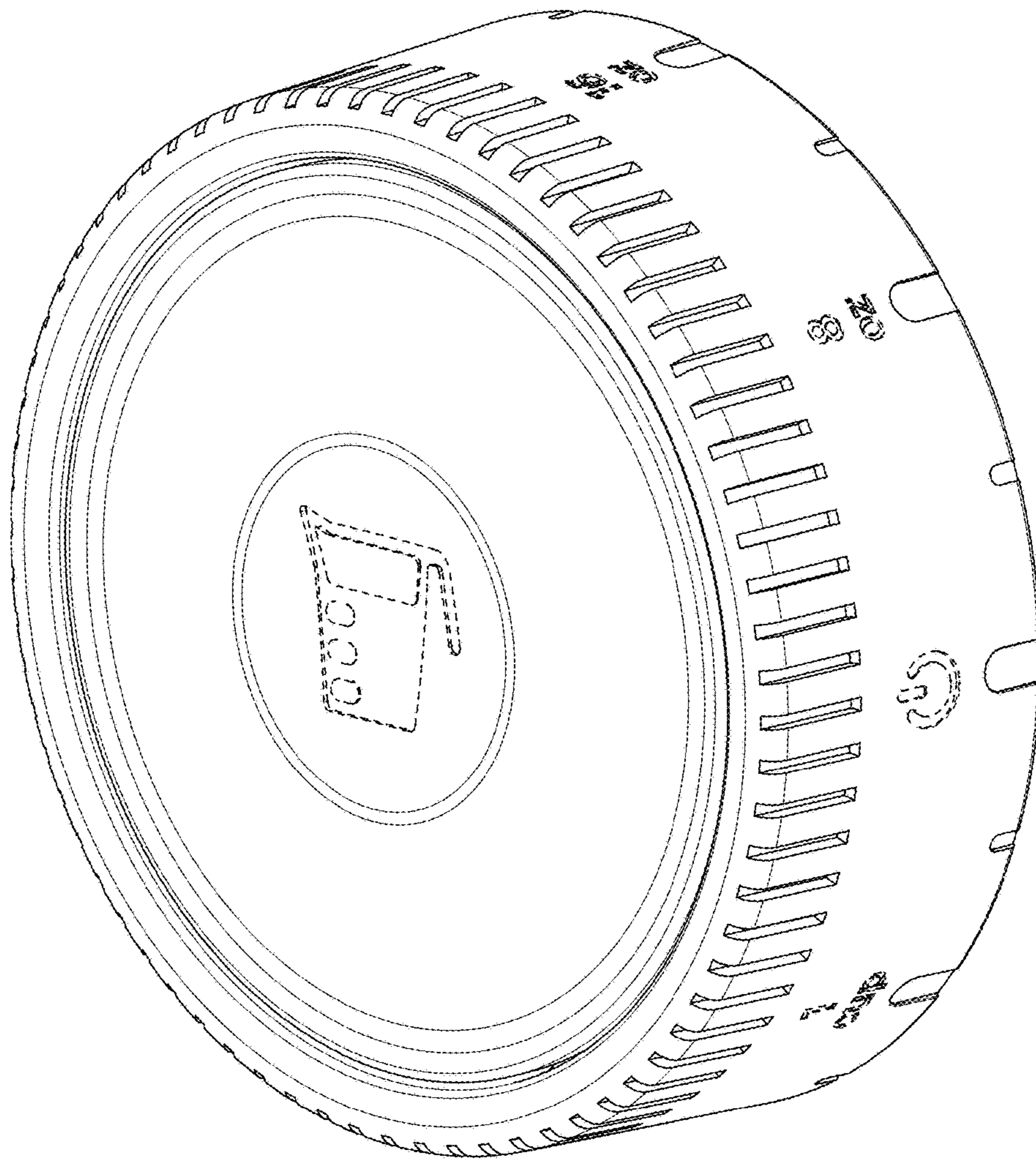


FIG. 1

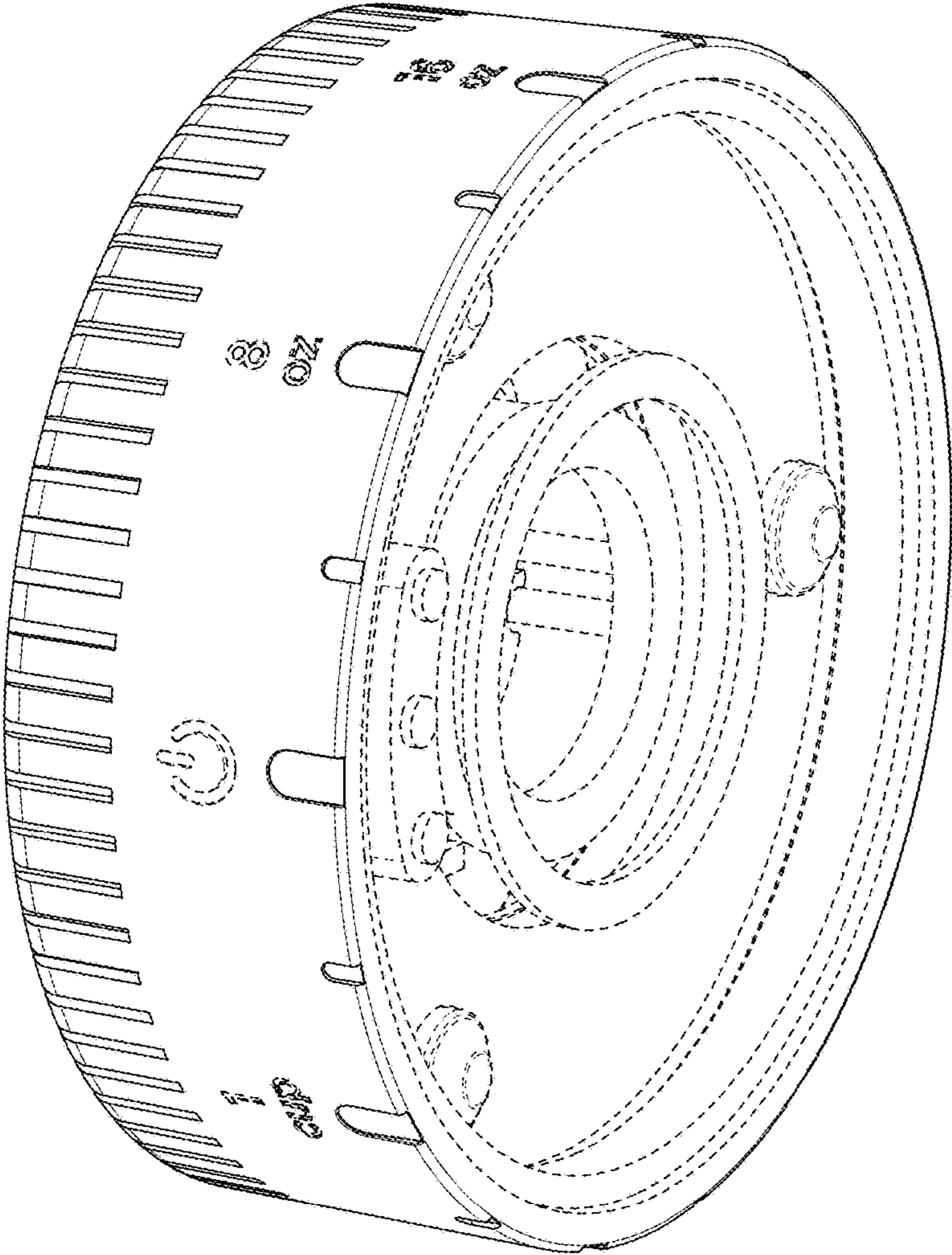
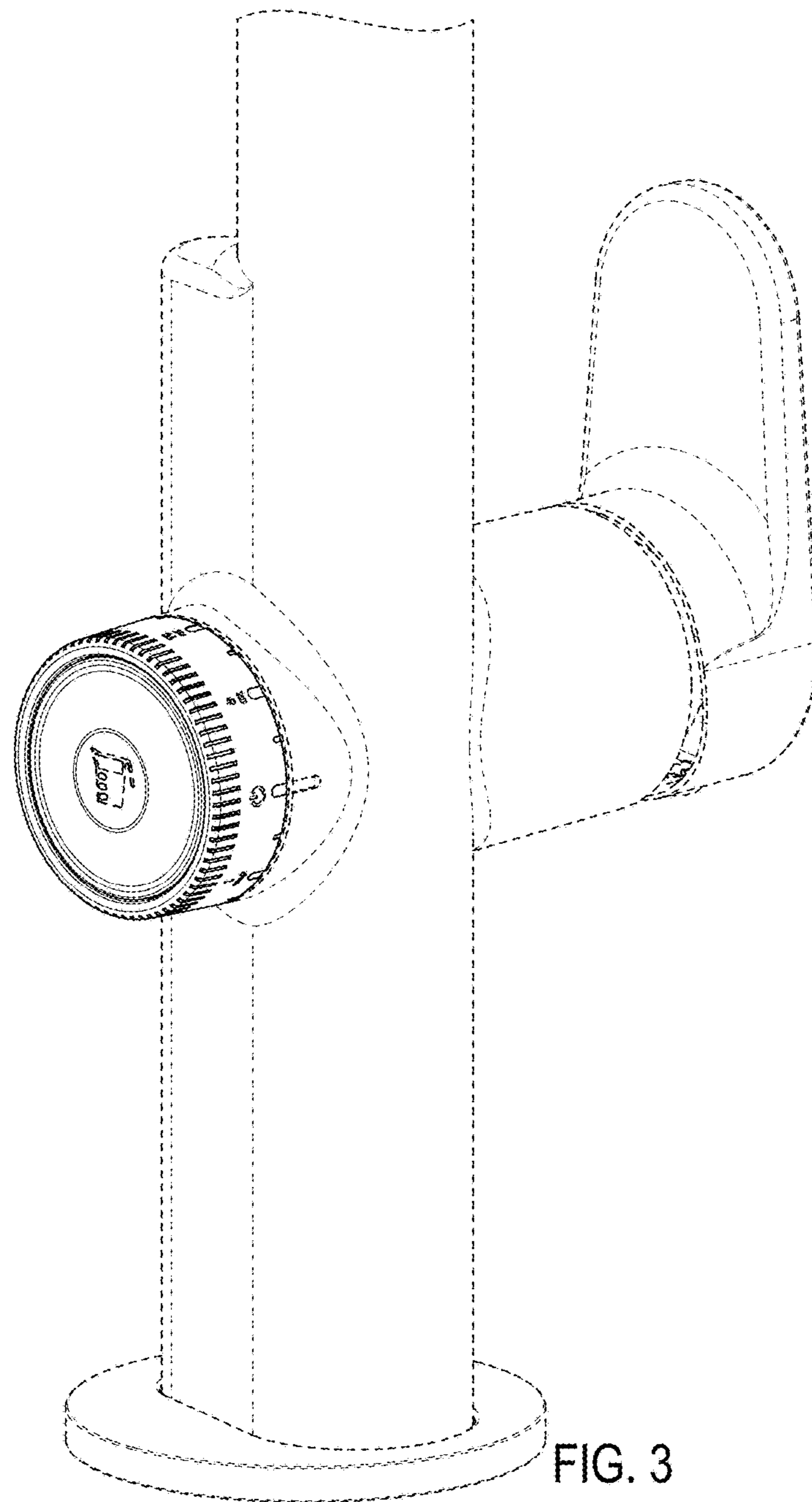


FIG. 2



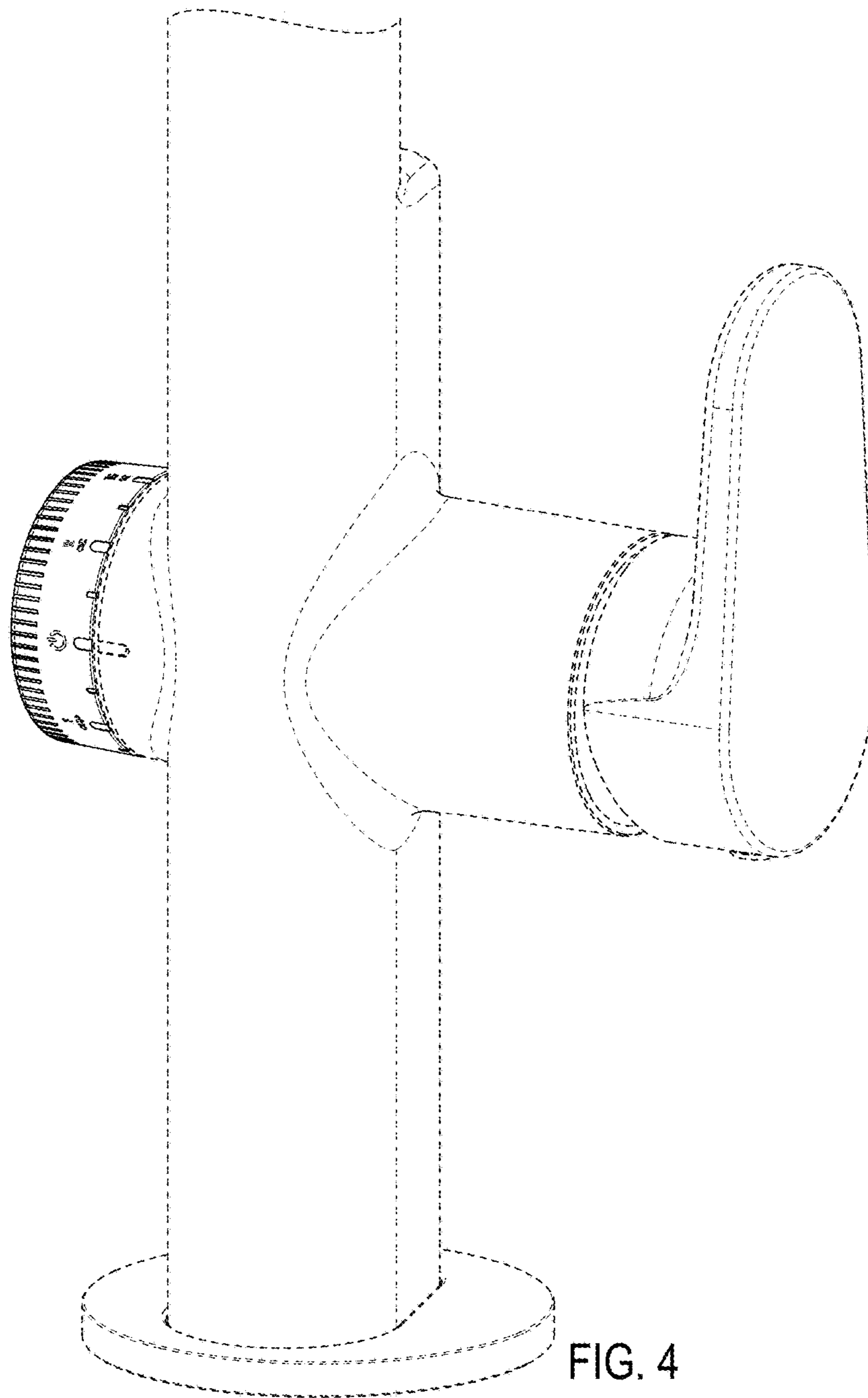


FIG. 4

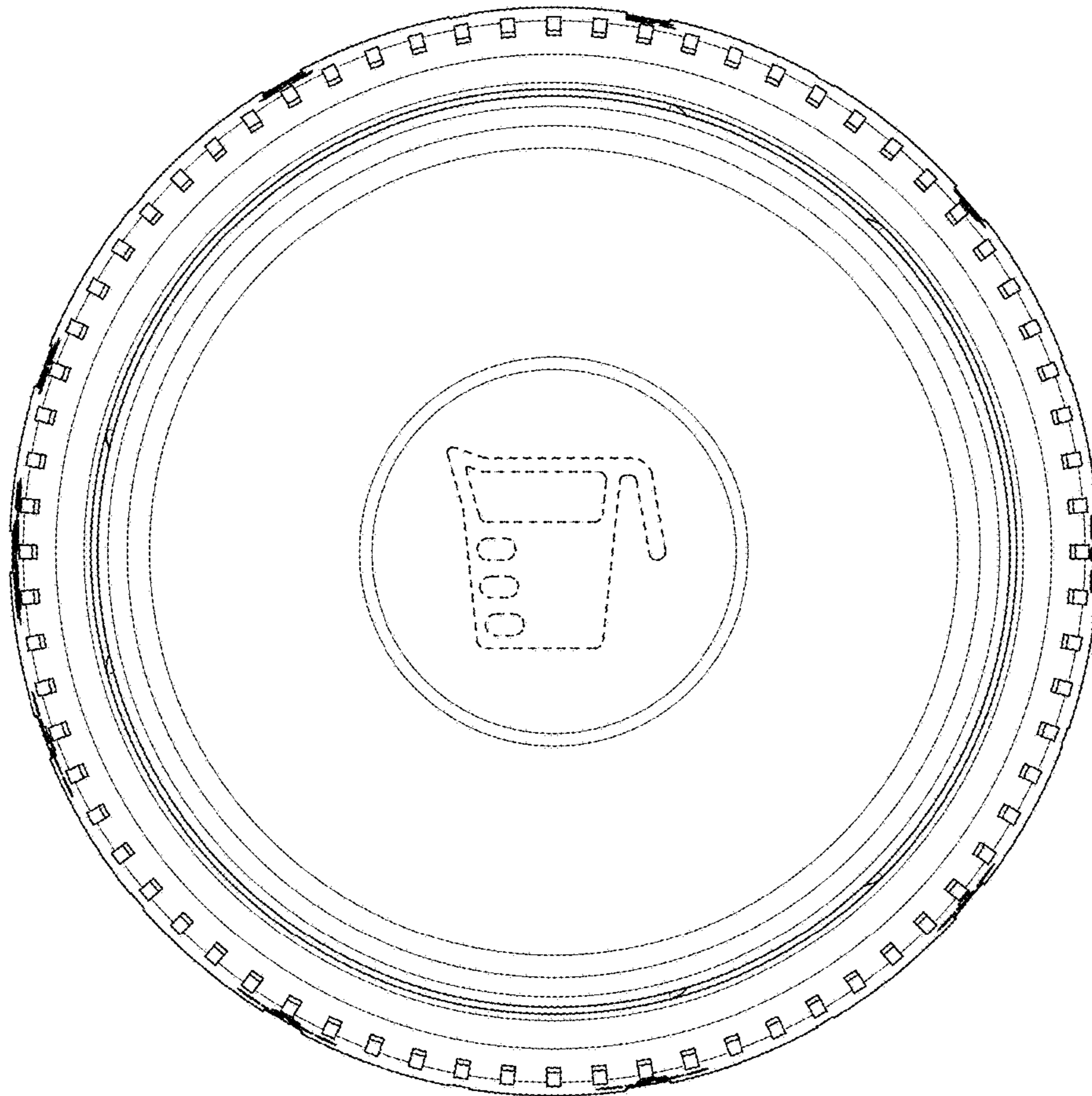


FIG. 5

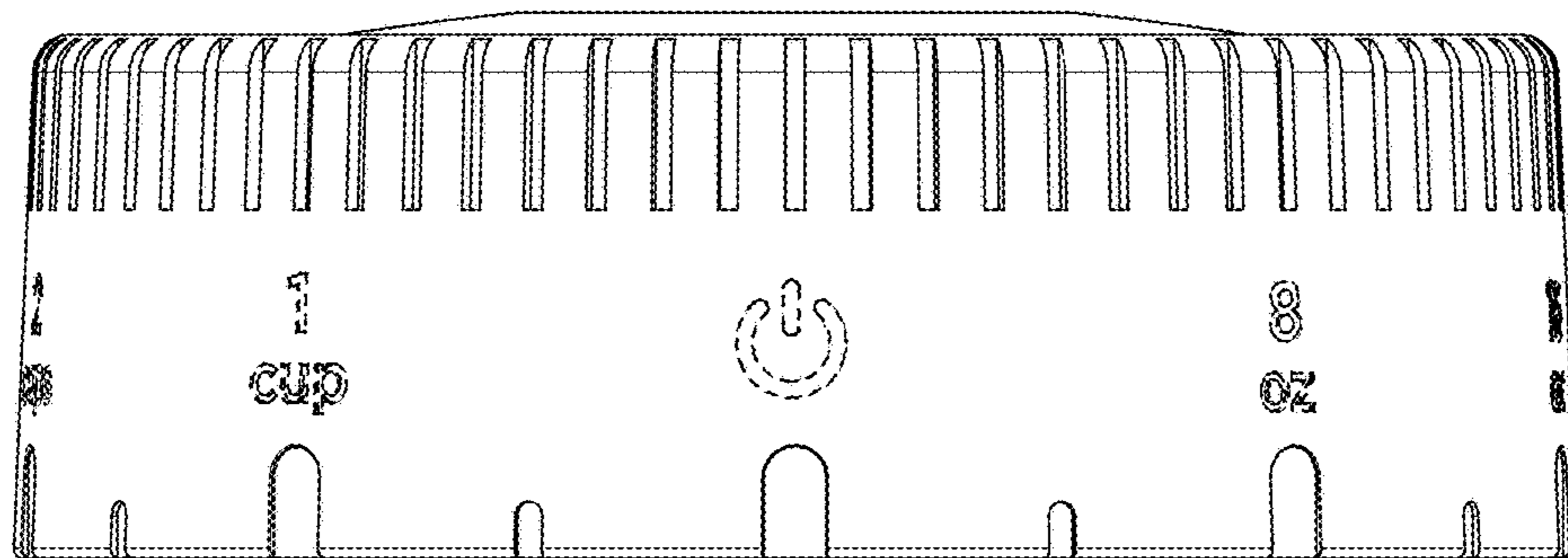


FIG. 6

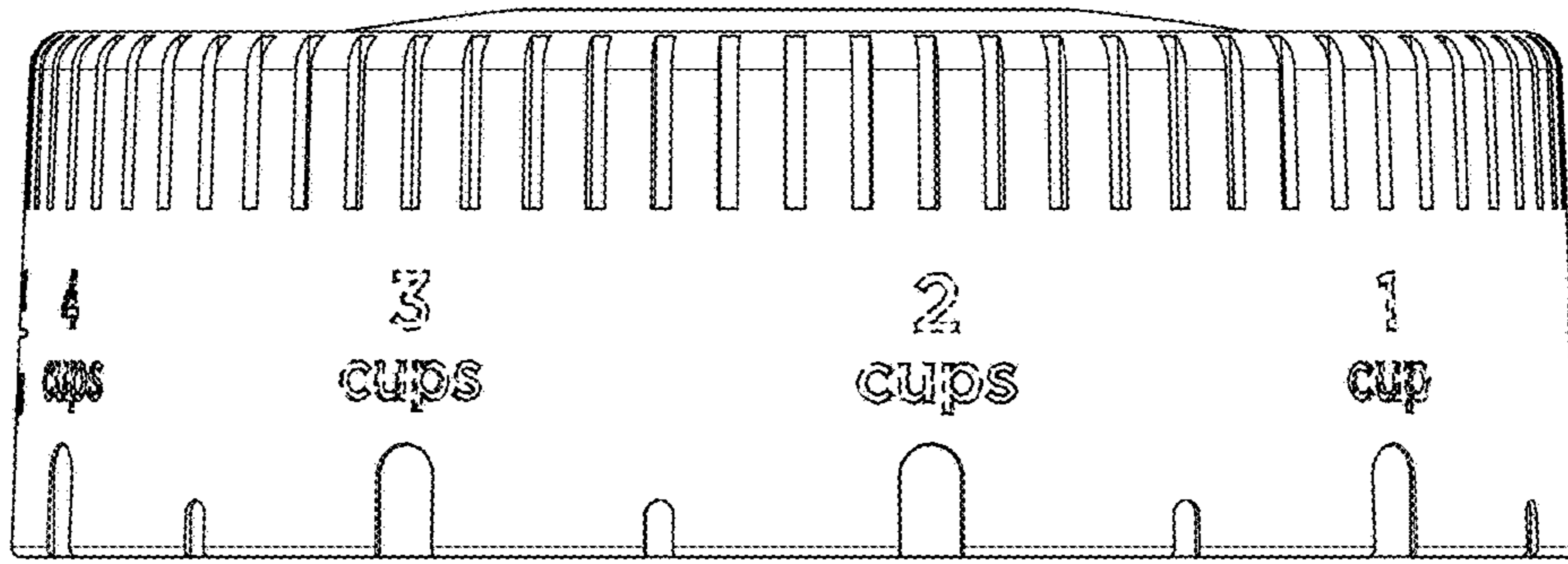


FIG. 7

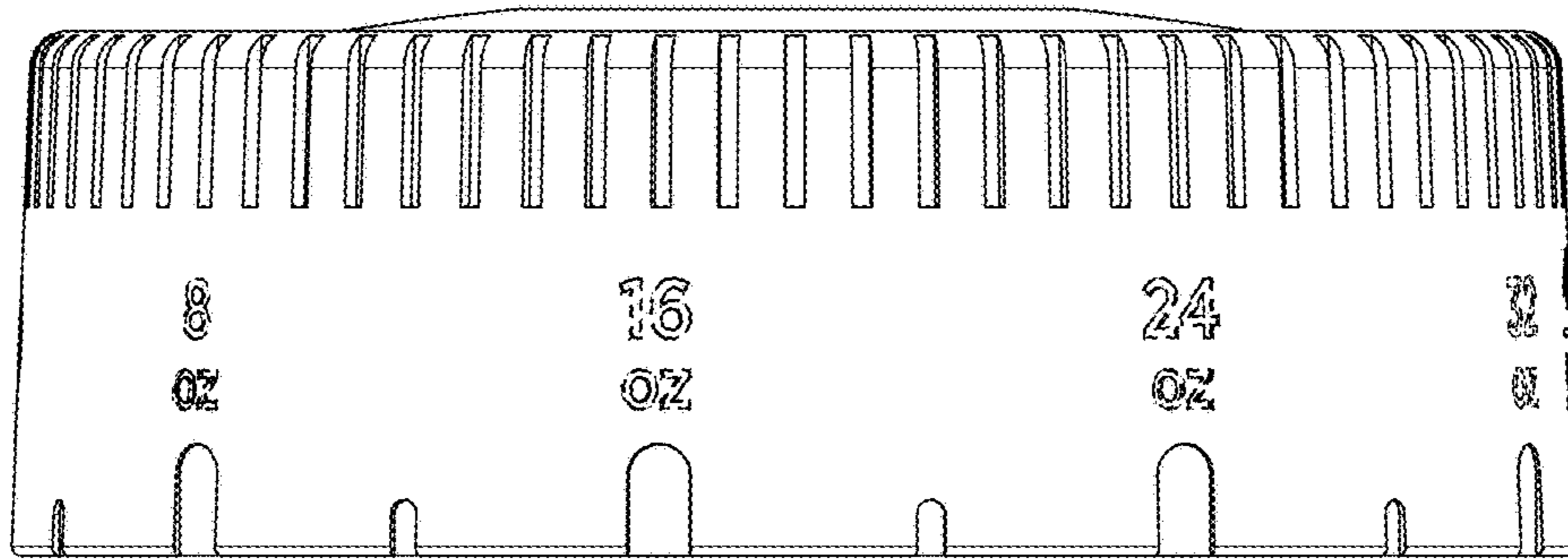


FIG. 8

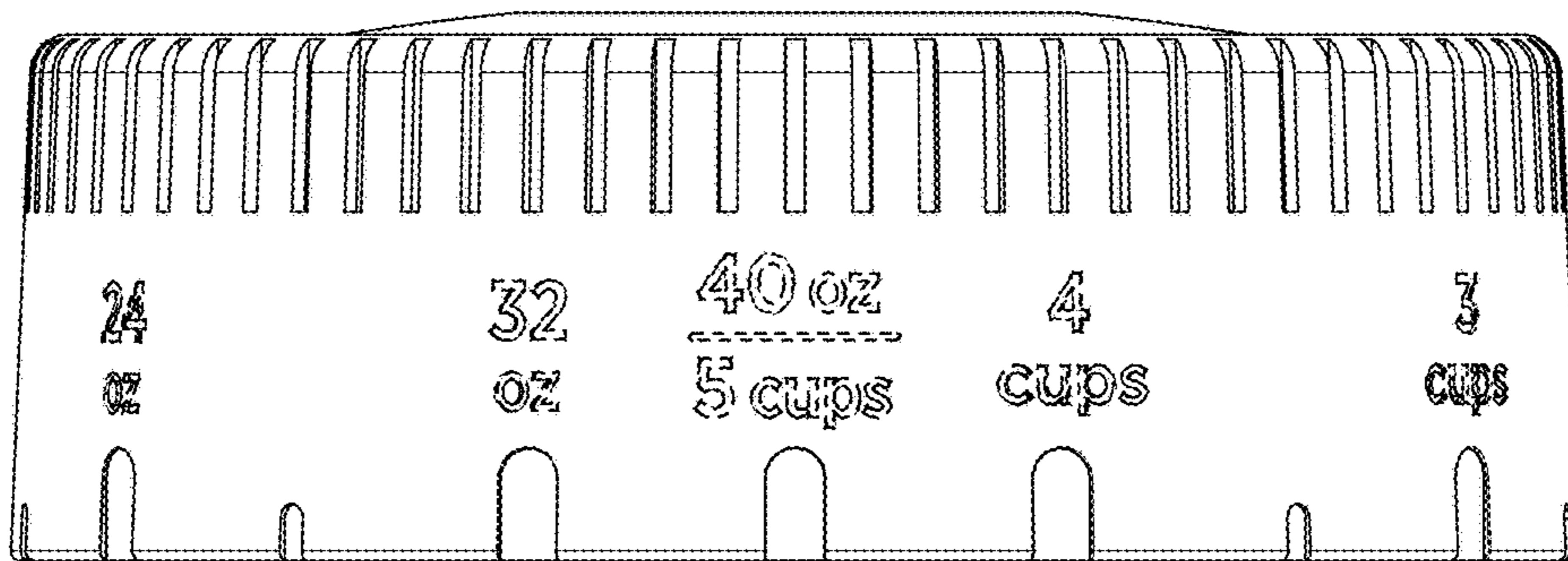


FIG. 9