

US00D867847S

(12) **United States Design Patent**  
**Marinovich et al.**

(10) **Patent No.:** **US D867,847 S**

(45) **Date of Patent:** **\*\* Nov. 26, 2019**

- (54) **EMBEDDED BLADE CUTTER**
- (71) Applicant: **Pacific Handy Cutter, Inc.**, Irvine, CA (US)
- (72) Inventors: **Jacqueline Marinovich**, Rancho Santa Fe, CA (US); **Mark Marinovich**, Rancho Santa Fe, CA (US); **Joseph P. Garavaglia**, Newport Beach, CA (US)
- (73) Assignee: **PACIFIC HANDY CUTTER, INC.**, Irvine, CA (US)

(\*\*) Term: **15 Years**

(21) Appl. No.: **29/600,323**

(22) Filed: **Apr. 11, 2017**

(51) **LOC (12) Cl.** ..... **08-03**

(52) **U.S. Cl.**  
USPC ..... **D8/98**

(58) **Field of Classification Search**  
USPC ..... D8/14, 51, 98, 99  
CPC .. B26B 1/08; B26B 5/003; B26B 3/00; B26B 3/08; B26B 27/05; B26B 27/00  
See application file for complete search history.

(56) **References Cited**

**U.S. PATENT DOCUMENTS**

1,481,604 A	1/1924	Harvey et al.	
2,141,061 A	12/1938	Dodson et al.	
2,615,242 A	10/1952	Franklin et al.	
3,657,812 A	4/1972	Lee	
4,081,907 A	4/1978	Bosshold et al.	
4,646,440 A	3/1987	Decker	
D323,967 S *	2/1992	Talbot	..... D8/98
5,414,933 A	5/1995	Garner et al.	
5,511,310 A	4/1996	Sessions et al.	
5,704,129 A	1/1998	Glessner	
D406,508 S	3/1999	Rivera	

D406,509 S	3/1999	Rivera
D408,238 S	4/1999	Rivera
5,890,290 A	4/1999	Davis
D480,288 S	10/2003	DeLillo
D481,608 S	11/2003	DiPalma
D523,317 S	6/2006	Ryan et al.
D547,156 S	7/2007	Lee
7,237,340 B2	7/2007	Johnson et al.
7,284,329 B1	10/2007	King
D575,613 S	8/2008	Jennings
D582,746 S	12/2008	Neiser
D591,136 S	4/2009	Cheldin
D591,582 S	5/2009	Windlass et al.
7,562,454 B2	7/2009	Steigerwalt et al.
7,574,804 B2	8/2009	Bezold et al.
D602,324 S	10/2009	Hancock et al.
D610,432 S	2/2010	Siegel
7,673,391 B2	3/2010	Johnson et al.
D621,678 S	8/2010	Huang
7,913,397 B2	3/2011	Van Deursen
D639,631 S	6/2011	Kempker et al.

(Continued)

*Primary Examiner* — Philip S Hyder

(74) *Attorney, Agent, or Firm* — Peter L. Holmes

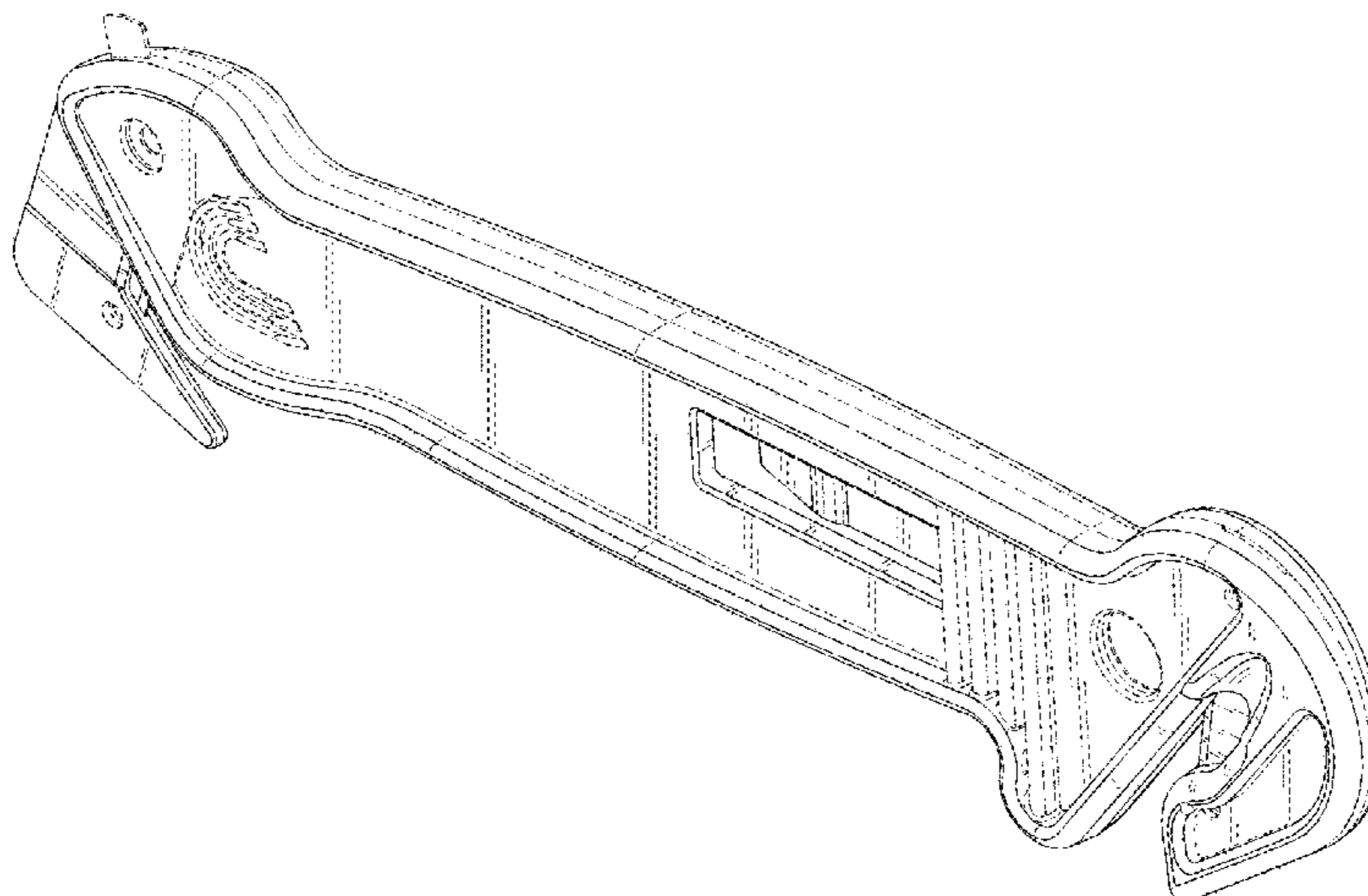
(57) **CLAIM**

The ornamental design for an embedded blade cutter, as shown and described.

**DESCRIPTION**

FIG. 1 is a left side perspective view of an embedded blade cutter article showing my/our new design; FIG. 2 is a right side perspective view thereof; FIG. 3 is a left side view thereof; and, FIG. 4 is a right side view thereof. The broken lines immediately adjacent the shaded(/claimed) areas represent the bounds of the claimed design while all other broken lines are included for purposes of illustrating portions of the embedded blade cutter article embodying the design; the broken lines form no part of the claimed design.

**1 Claim, 3 Drawing Sheets**



(56)

References Cited

U.S. PATENT DOCUMENTS

D673,440	S	1/2013	Kempker et al.	
8,359,754	B2	1/2013	Johnson et al.	
D675,897	S	2/2013	Wu	
D684,451	S	6/2013	Jennings et al.	
8,522,441	B2	9/2013	Johnson et al.	
D714,611	S *	10/2014	Yu Chen .....	D8/98
D714,612	S	10/2014	Gropl et al.	
D721,564	S *	1/2015	Purnomohadi .....	D8/98
8,997,357	B2	4/2015	Johnson et al.	
D752,942	S	4/2016	Rohrbach	
D767,966	S	10/2016	Standlee	
D767,967	S	10/2016	Standlee	
D801,148	S *	10/2017	Yu Chen .....	D8/98
D802,394	S *	11/2017	Yu Chen .....	D8/98
D817,143	S *	5/2018	Rohrbach .....	D8/98
2007/0234573	A1	10/2007	Johnson et al.	
2009/0193662	A1	8/2009	Van Deursen	
2009/0255127	A1	10/2009	Seymour et al.	
2010/0263219	A1	10/2010	Kempker et al.	
2013/0298409	A1	11/2013	Jacobs et al.	
2013/0298410	A1	11/2013	Johnson et al.	
2013/0305542	A1	11/2013	McChesney	
2014/0345146	A1 *	11/2014	Schekalla .....	B26B 3/00 30/169
2015/0298330	A1 *	10/2015	Yu Chen .....	B26B 27/005 30/280
2017/0197320	A1 *	7/2017	Chen .....	B26B 11/006

\* cited by examiner

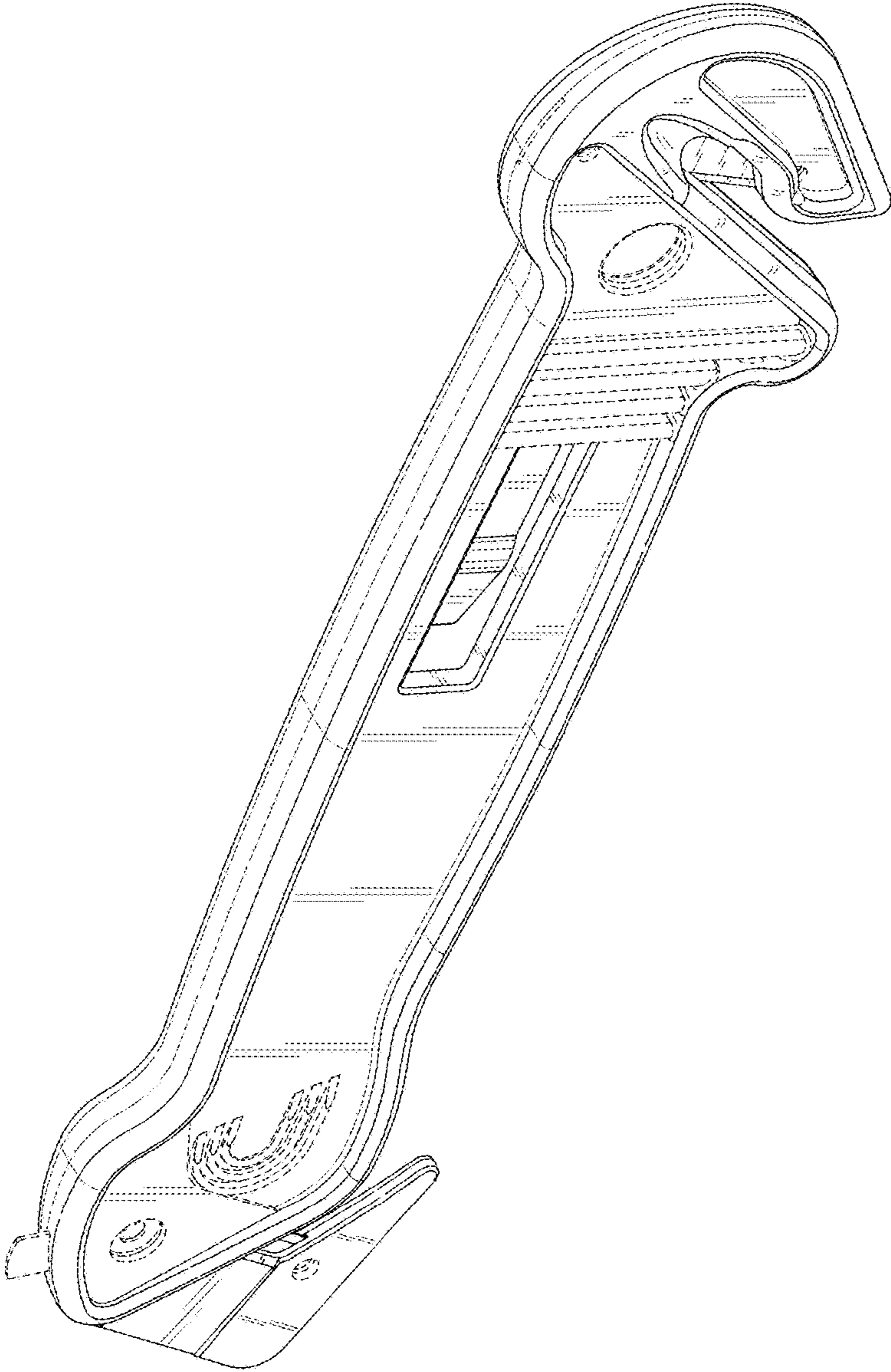


FIG. 1

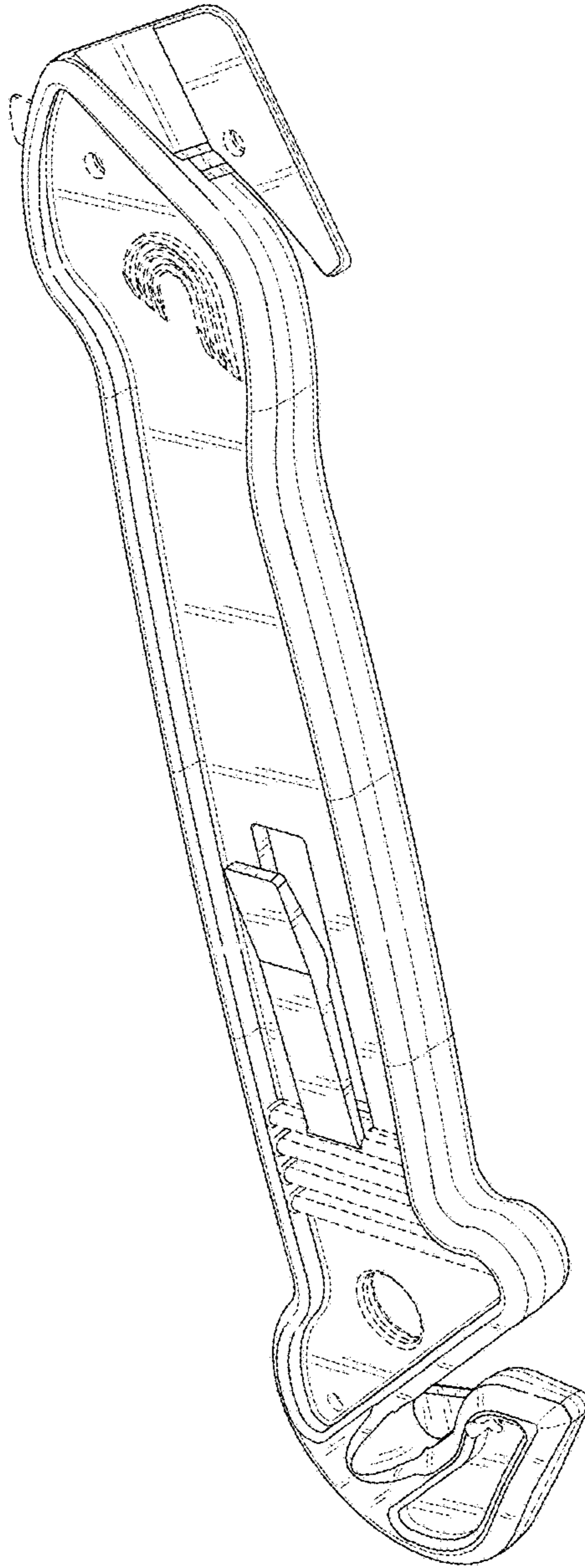
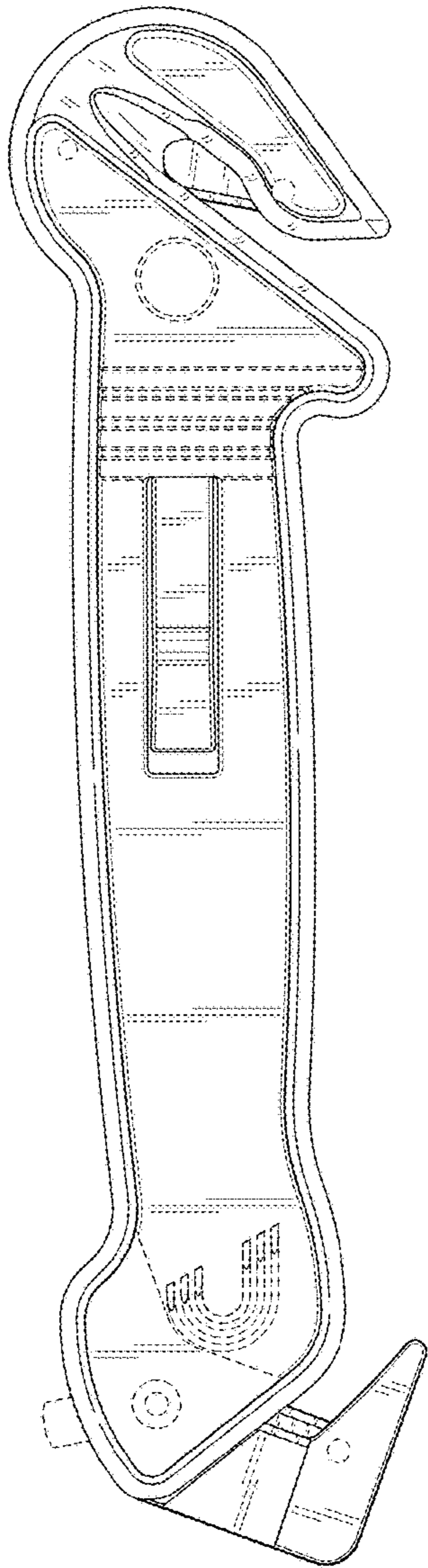
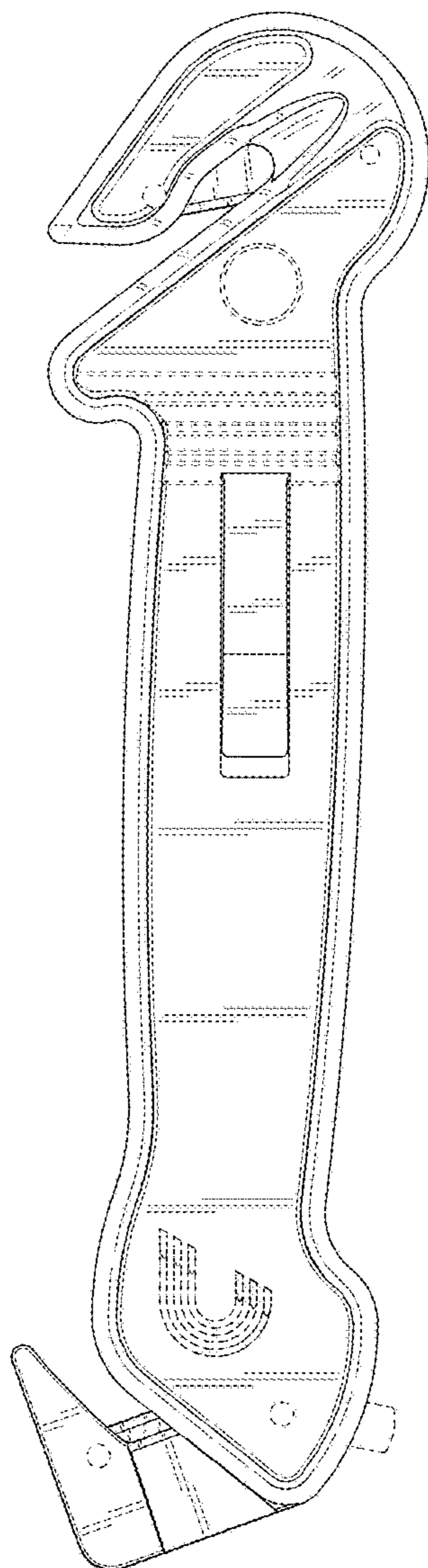


FIG. 2



**FIG. 3**



**FIG. 4**