

US00D867846S

(12) **United States Design Patent** (10) **Patent No.:** **US D867,846 S**
Taguchi et al. (45) **Date of Patent:** **** Nov. 26, 2019**

(54) **SCREWDRIVER BIT**

(56) **References Cited**

(71) Applicant: **VESSEL INDUSTRIAL CO., LTD.**,
Osaka (JP)

U.S. PATENT DOCUMENTS

(72) Inventors: **Jiro Taguchi**, Osaka (JP); **Koji Dohi**,
Osaka (JP)

D462,596 S *	9/2002	Fruhm	D8/86
D725,984 S *	4/2015	Moss	D8/86
D726,521 S *	4/2015	Moss	D8/86
D752,408 S *	3/2016	Moss	D8/86
D764,251 S *	8/2016	Hsu	D8/86
D789,761 S *	6/2017	Moss	D8/86
9,737,977 B2 *	8/2017	Taguchi	B25B 15/005
D838,566 S *	1/2019	Moss	D8/70
D841,425 S *	2/2019	Moss	D8/86

(73) Assignee: **VESSEL INDUSTRIAL CO., LTD.**,
Osaka (JP)

(**) Term: **15 Years**

* cited by examiner

(21) Appl. No.: **35/506,211**

Primary Examiner — Deanna L Pratt

(22) Filed: **Jun. 13, 2018**

(74) *Attorney, Agent, or Firm* — Roberts Mlotkowski
Safran Cole & Calderon P.C.; Jorie L. Stroup

(80) **Hague Agreement Data**

(57) **CLAIM**

Int. Filing Date: **Jun. 13, 2018**

The ornamental design for a screwdriver bit, as shown and described.

Int. Reg. No.: **DM/101706**

DESCRIPTION

Int. Reg. Date: **Jun. 13, 2018**

Int. Reg. Pub. Date: **Dec. 14, 2018**

(51) **LOC (12) Cl.** **08-04**

1. Screwdriver bit

(52) **U.S. Cl.**

USPC **D8/86**

1.1 : Perspective

1.2 : Front

1.3 : Back

1.4 : Top

1.5 : Bottom

1.6 : Left

1.7 : Right

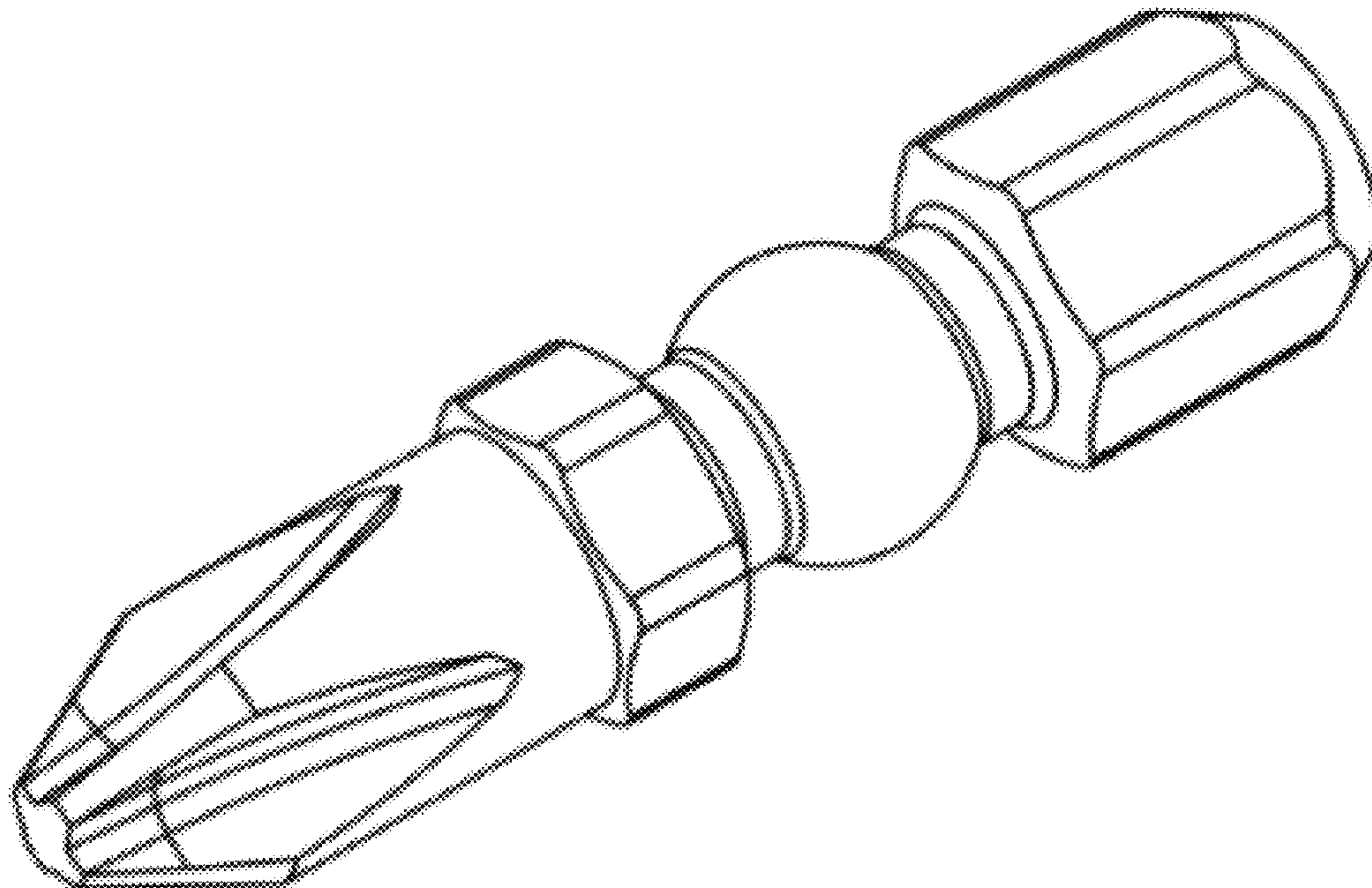
(58) **Field of Classification Search**

USPC D8/70, 82, 86, 87; D15/139

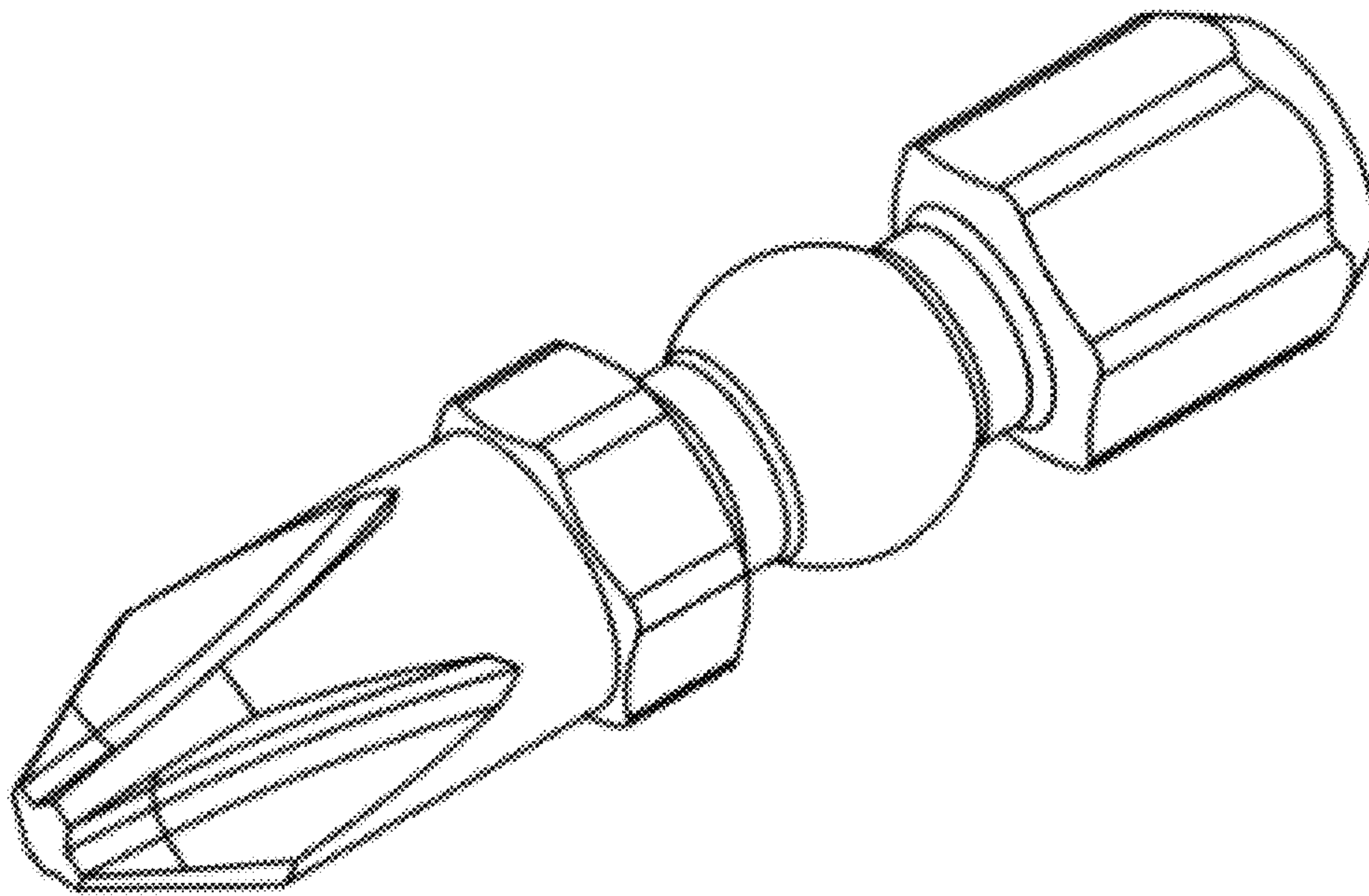
CPC B25B 23/0035

See application file for complete search history.

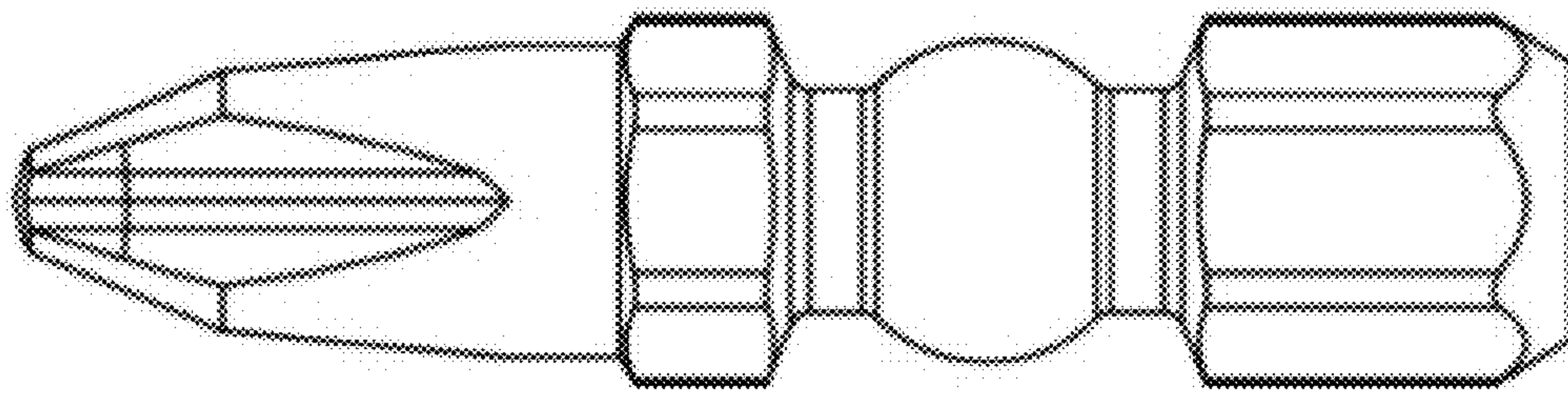
1 Claim, 7 Drawing Sheets



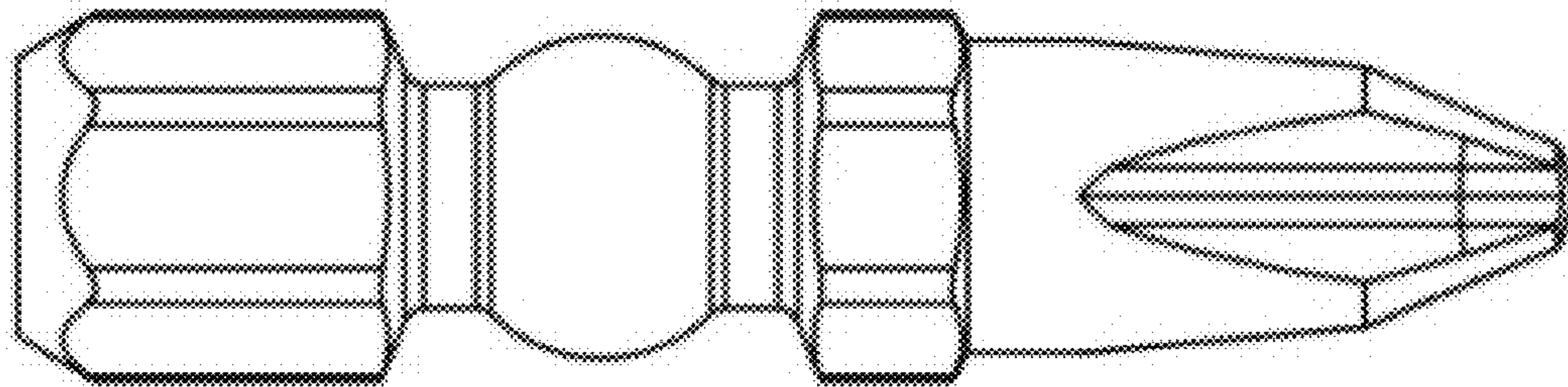
1.1



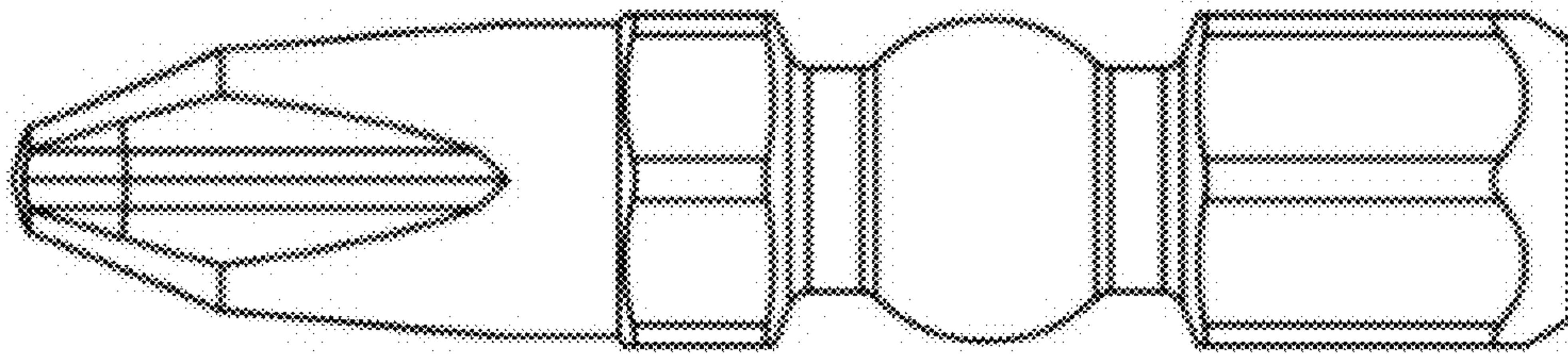
1.2



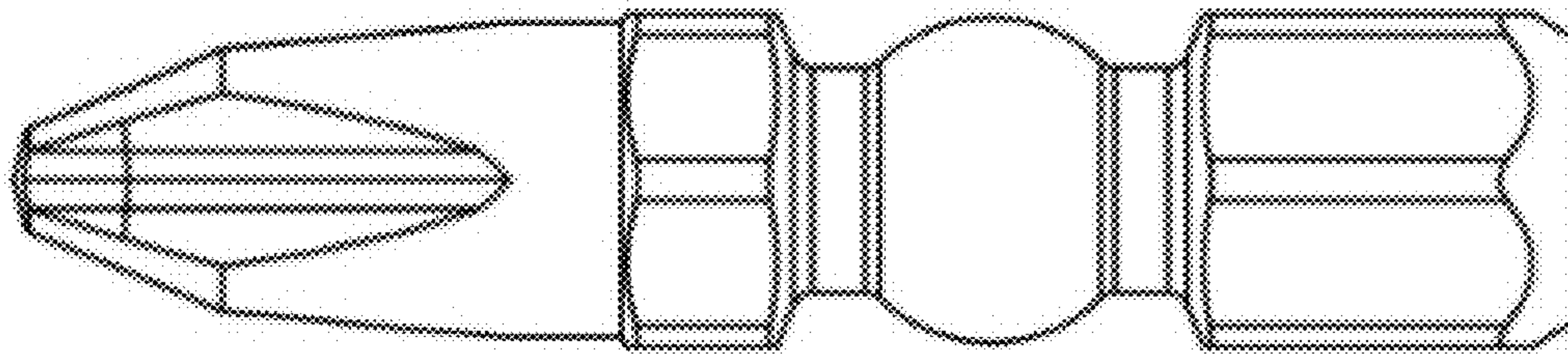
1.3



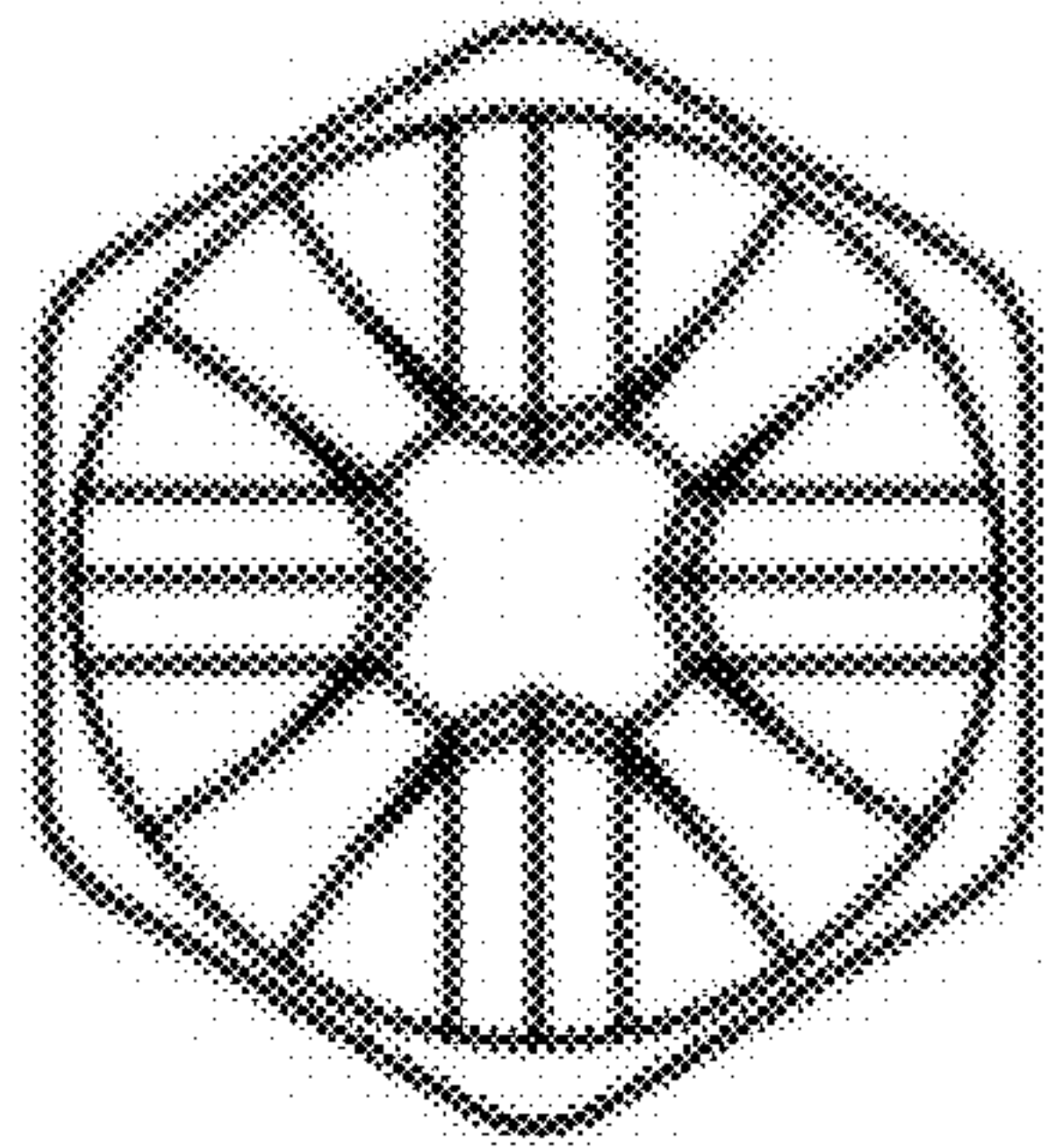
1.4



1.5



1.6



1.7

