

US00D867845S

(12) **United States Design Patent**
Hsu

(10) **Patent No.:** **US D867,845 S**

(45) **Date of Patent:** **** Nov. 26, 2019**

- (54) **SCREWDRIVER**
- (71) Applicant: **Huang Tung Hsu**, Taichung (TW)
- (72) Inventor: **Huang Tung Hsu**, Taichung (TW)
- (**) Term: **15 Years**
- (21) Appl. No.: **29/628,723**
- (22) Filed: **Dec. 7, 2017**
- (51) **LOC (12) Cl.** **08-04**
- (52) **U.S. Cl.**
USPC **D8/83**
- (58) **Field of Classification Search**
USPC D8/82, 83, 84, 85, 86, 87, 107, 303;
D7/395; D4/138; D24/133
CPC B25B 15/00; B25B 15/001; B25B 15/02;
B25B 15/04; B25G 1/005; B25G 1/063
See application file for complete search history.

- 8,003,850 B2 * 8/2011 Kim A01H 4/00
435/320.1
- 8,136,430 B2 * 3/2012 Hu B25B 15/02
81/177.2
- D686,480 S * 7/2013 Robinson D8/83
- D694,608 S * 12/2013 Nelson D8/83
- D716,629 S * 11/2014 Suter D8/82
- D717,143 S * 11/2014 Jannitto D8/21
- D829,524 S * 10/2018 Su D8/83

* cited by examiner

Primary Examiner — Philip S Hyder

(74) *Attorney, Agent, or Firm* — Alan D. Kamrath; Karin L. Williams; Mayer & Williams PC

(57) **CLAIM**

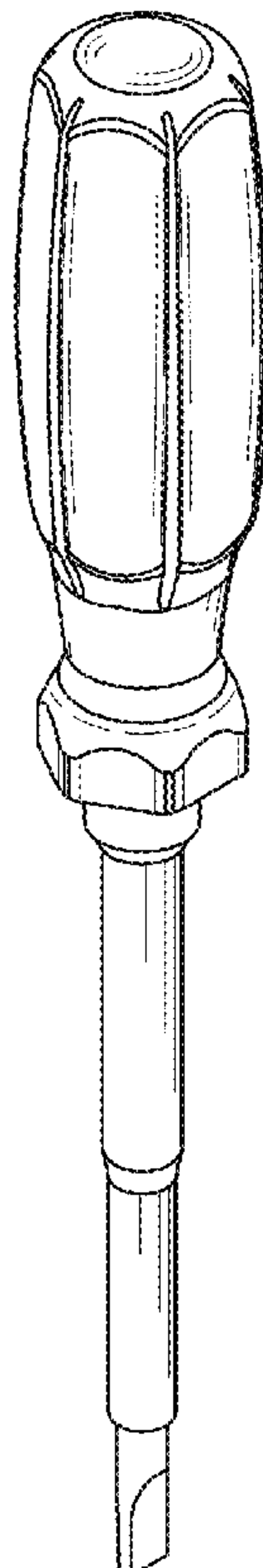
The ornamental design for a screwdriver, as shown and described.

DESCRIPTION

FIG. 1 is a perspective view of a screwdriver showing my design;
 FIG. 2 is a front elevational view thereof;
 FIG. 3 is a rear elevational view thereof;
 FIG. 4 is a left side elevational view thereof;
 FIG. 5 is a right side elevational view thereof;
 FIG. 6 is a top plan view thereof; and,
 FIG. 7 is a bottom plan view thereof.

1 Claim, 6 Drawing Sheets

- (56) **References Cited**
U.S. PATENT DOCUMENTS
- D398,506 S * 9/1998 Grizzaffi, Jr. D8/82
- 6,253,403 B1 * 7/2001 Veschi B25B 15/00
7/165
- D487,690 S * 3/2004 Hu D8/83
- D553,464 S * 10/2007 Rinner D8/83
- 7,882,769 B2 * 2/2011 Lin B25B 13/56
81/177.1



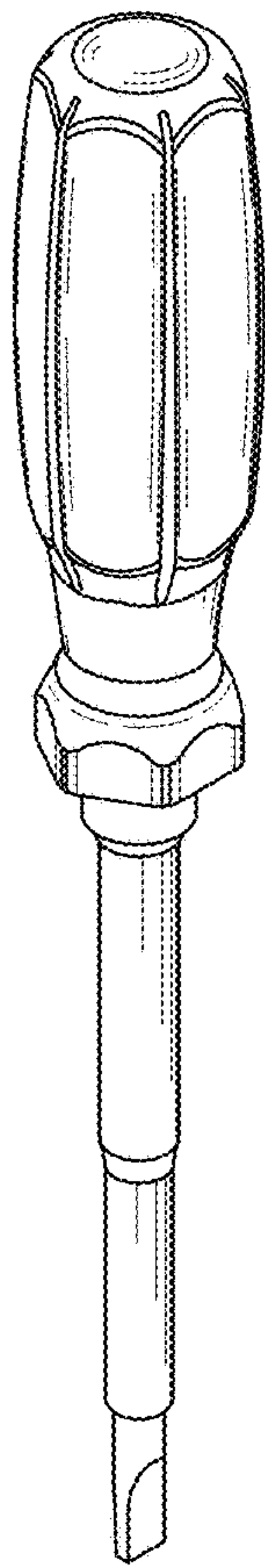


FIG. 1

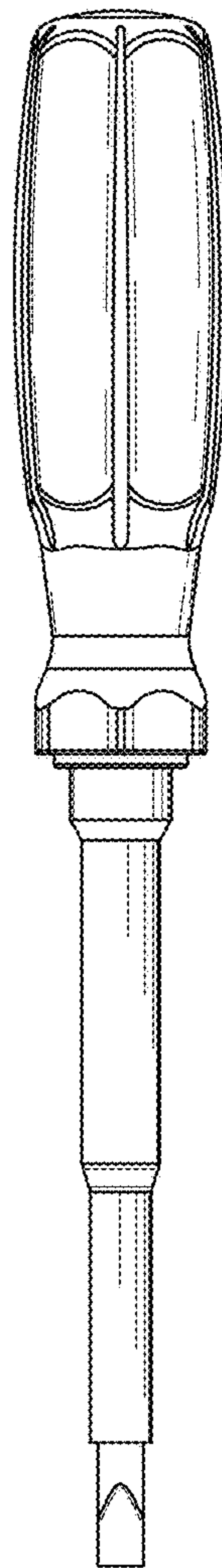


FIG. 2

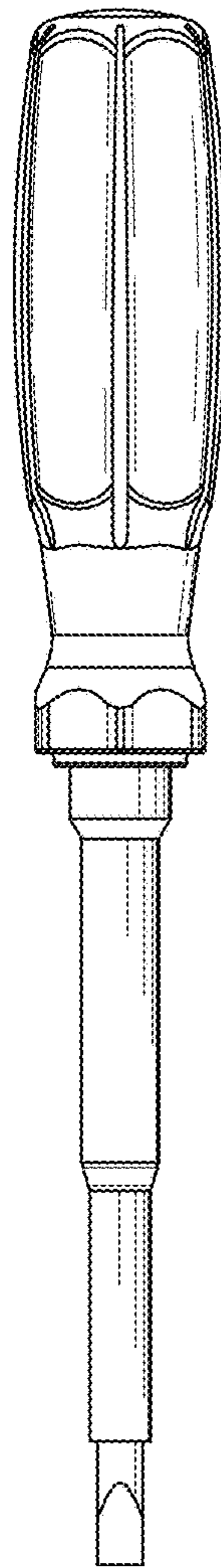


FIG. 3

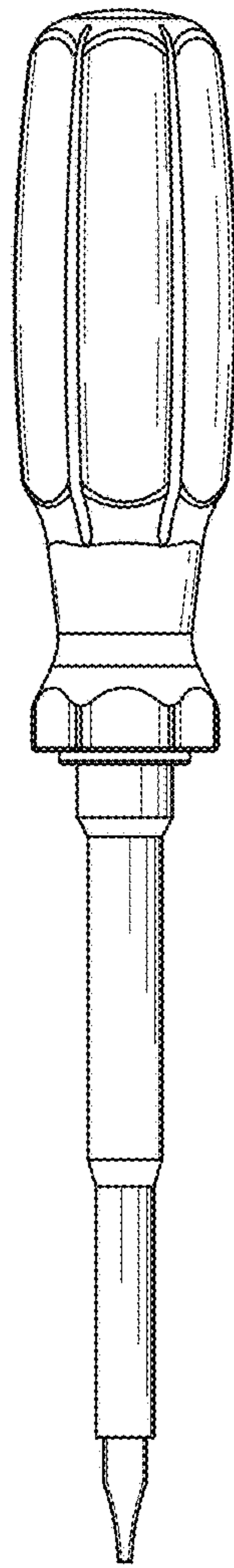


FIG. 4

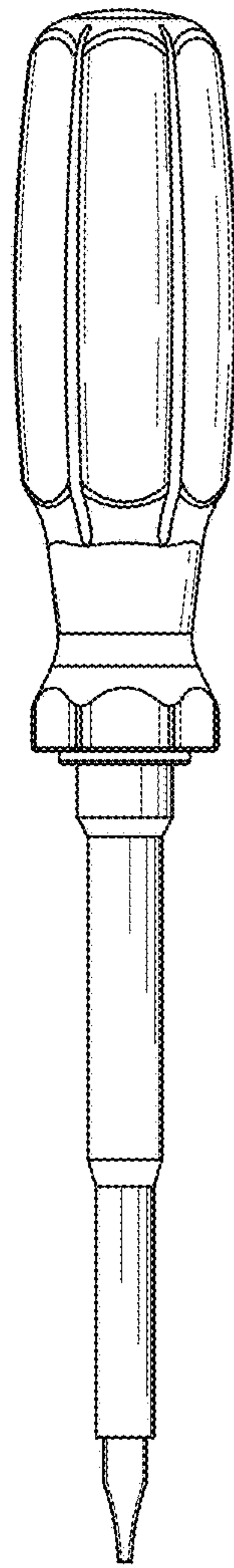


FIG. 5

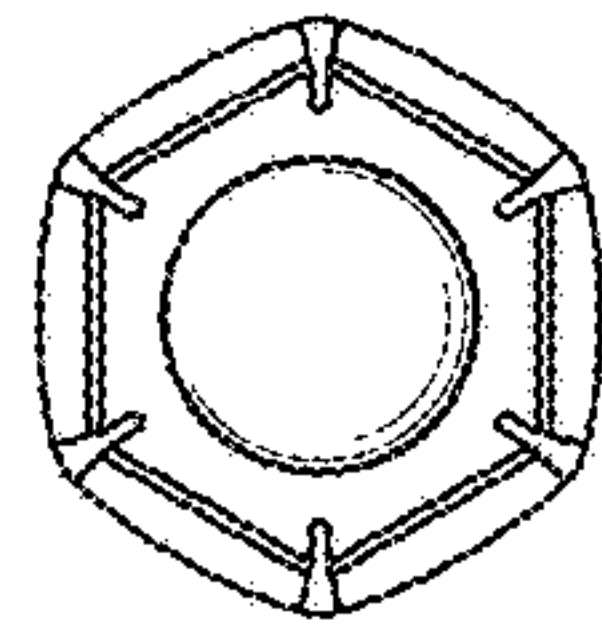


FIG. 6

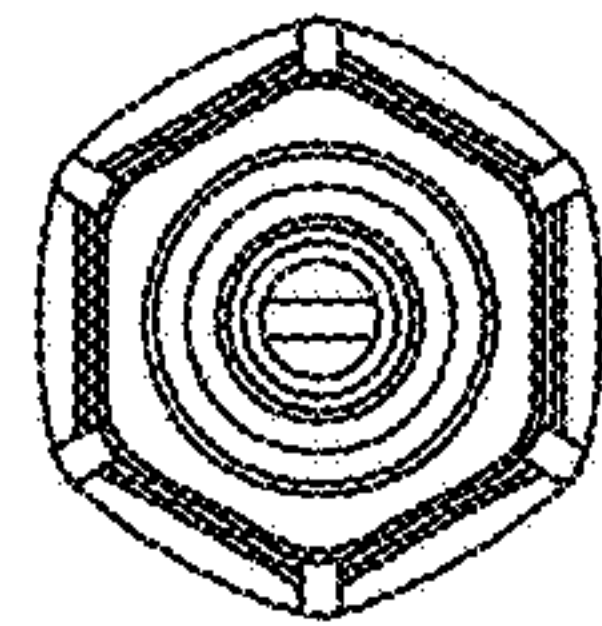


FIG. 7