



US00D867843S

(12) **United States Design Patent**
Itoh et al.

(10) **Patent No.:** **US D867,843 S**

(45) **Date of Patent:** **** Nov. 26, 2019**

- (54) **PORTABLE ELECTRIC SAW**
- (71) Applicant: **Koki Holdings Co., Ltd.**, Tokyo (JP)
- (72) Inventors: **Takafumi Itoh**, Ibaraki (JP); **Rui Akiba**, Ibaraki (JP)
- (73) Assignee: **Koki Holdings Co., Ltd.**, Tokyo (JP)
- (**) Term: **15 Years**

D551,046 S *	9/2007	Yamamoto	D8/64
D551,930 S *	10/2007	Yamada	D8/64
D558,018 S *	12/2007	McRoberts	D8/64
D558,550 S *	1/2008	McRoberts	D8/64
D591,574 S *	5/2009	DiPasquale	D8/64
D612,700 S *	3/2010	McRoberts	D8/64
D705,028 S *	5/2014	Vitantonio	D8/64
D752,406 S *	3/2016	Kanda	D8/64

* cited by examiner

Primary Examiner — Austin Murphy
(74) *Attorney, Agent, or Firm* — JCIPRNET

(21) Appl. No.: **29/667,968**

(22) Filed: **Oct. 26, 2018**

(30) **Foreign Application Priority Data**

Apr. 27, 2018 (JP) 2018-009503

(51) **LOC (12) Cl.** **08-03**

(52) **U.S. Cl.**
USPC **D8/64**

(58) **Field of Classification Search**
USPC D8/69, 68, 67, 66, 65, 64, 62, 61; 30/92,
30/394, 393, 392, 377, 376, 371; 74/50,
74/49; 173/217, 216; 83/699.21;
446/145

CPC B26B 7/00; B23D 51/16; B23D 51/10;
B25F 5/02; B62B 7/00

See application file for complete search history.

(56) **References Cited**

U.S. PATENT DOCUMENTS

D534,778 S *	1/2007	Chu	D8/64
D544,327 S *	6/2007	Sterpka	D8/64

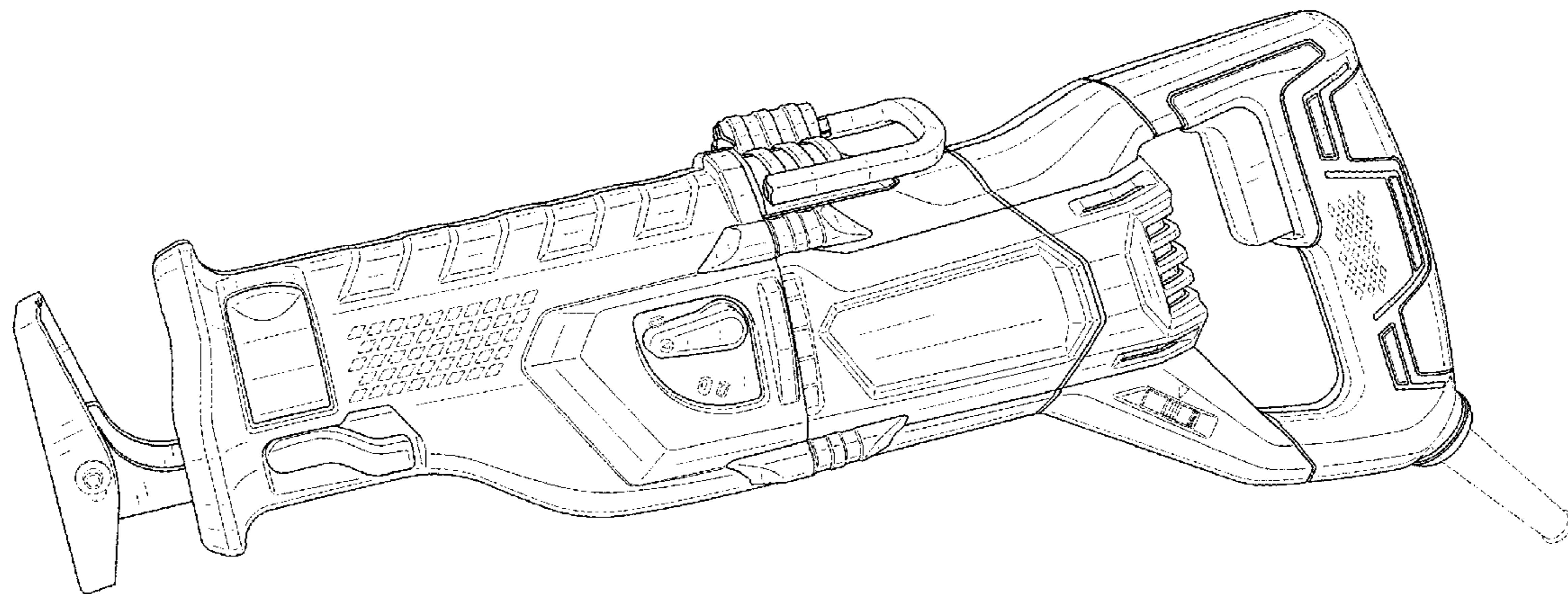
(57) **CLAIM**

The ornamental design for a portable electric saw, as shown and described.

DESCRIPTION

FIG. 1 is a perspective view of a portable electric saw showing our new design;
FIG. 2 is a front view thereof;
FIG. 3 is a rear view thereof;
FIG. 4 is a left side view thereof;
FIG. 5 is a right side view thereof;
FIG. 6 is a top view thereof; and,
FIG. 7 is a bottom view thereof.
The broken lines illustrate portions of the portable electric saw that form no part of the claimed design.

1 Claim, 5 Drawing Sheets



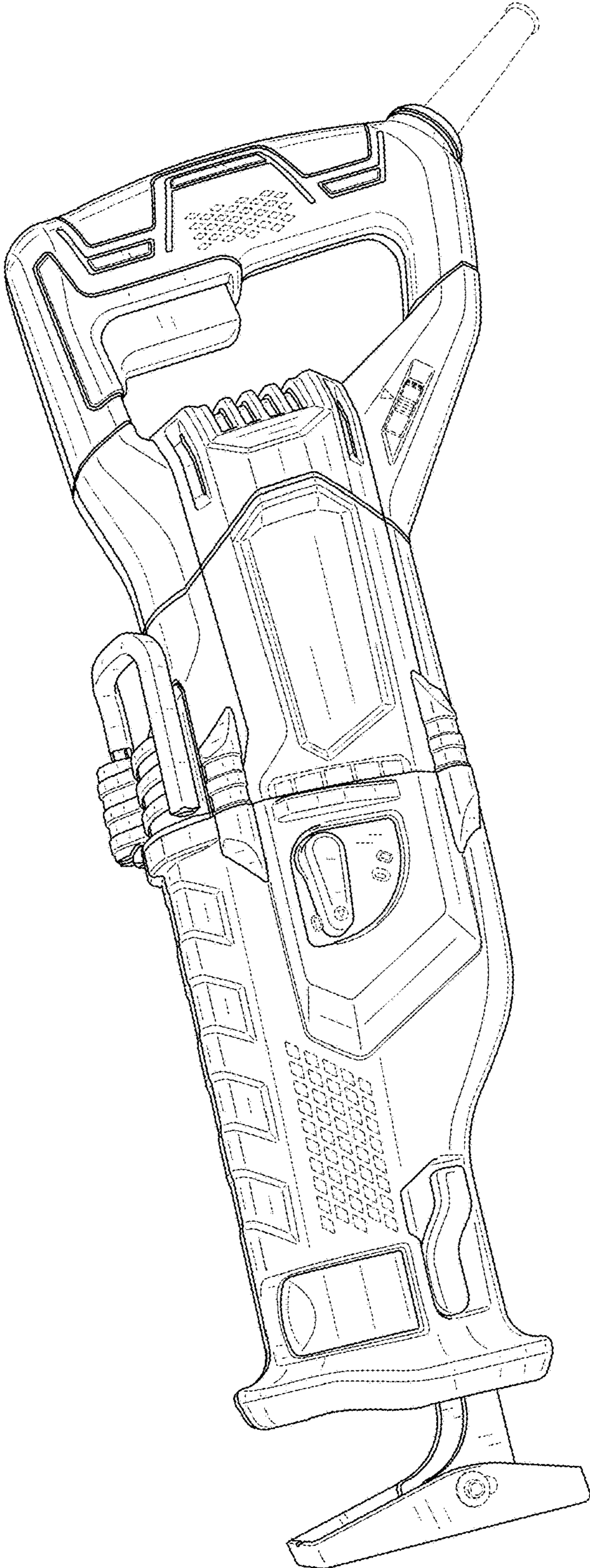


FIG. 1

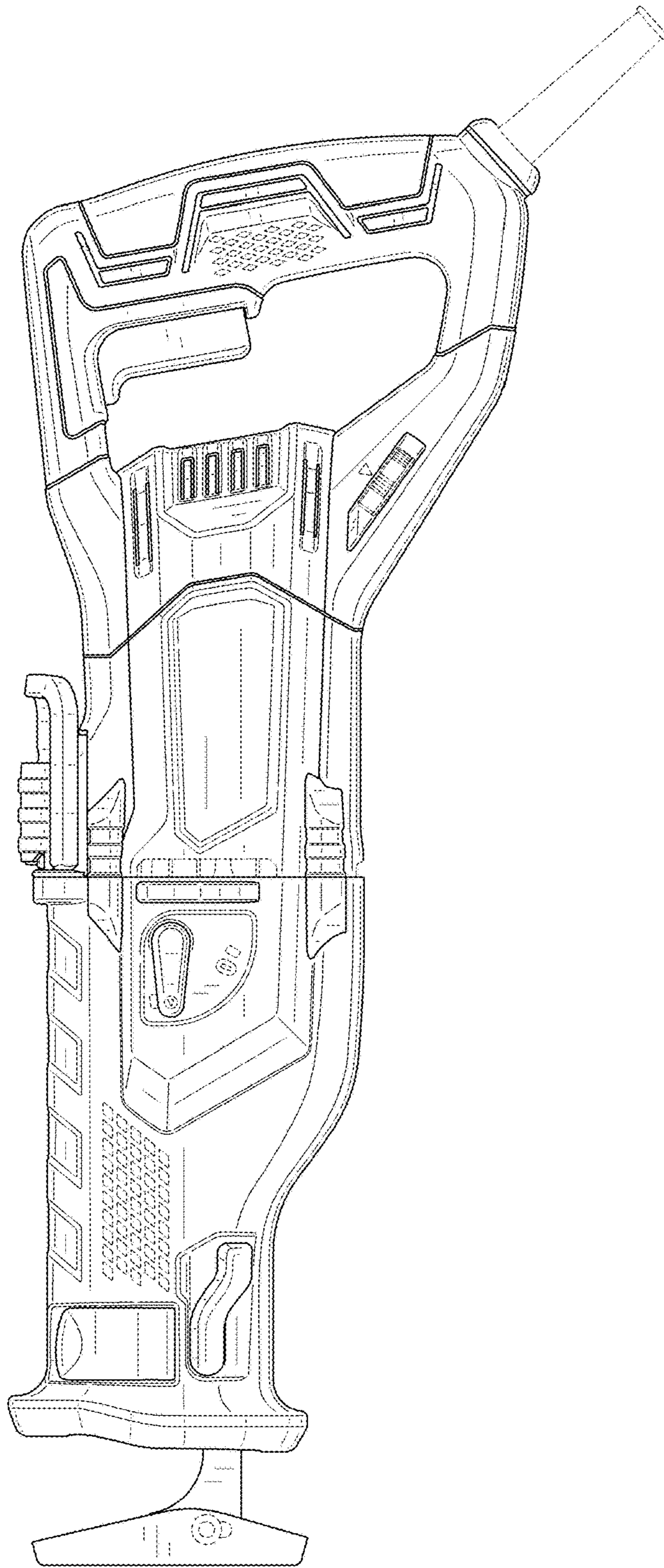


FIG. 2

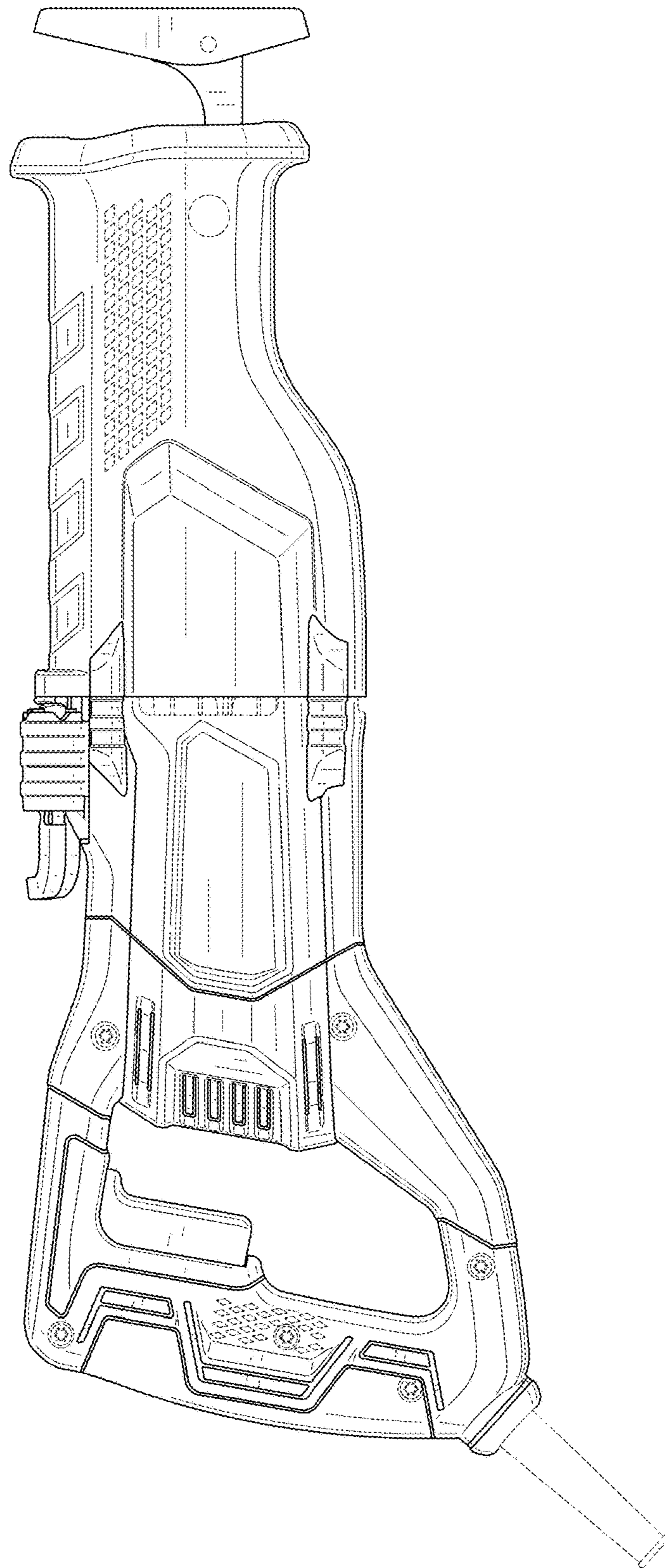


FIG. 3

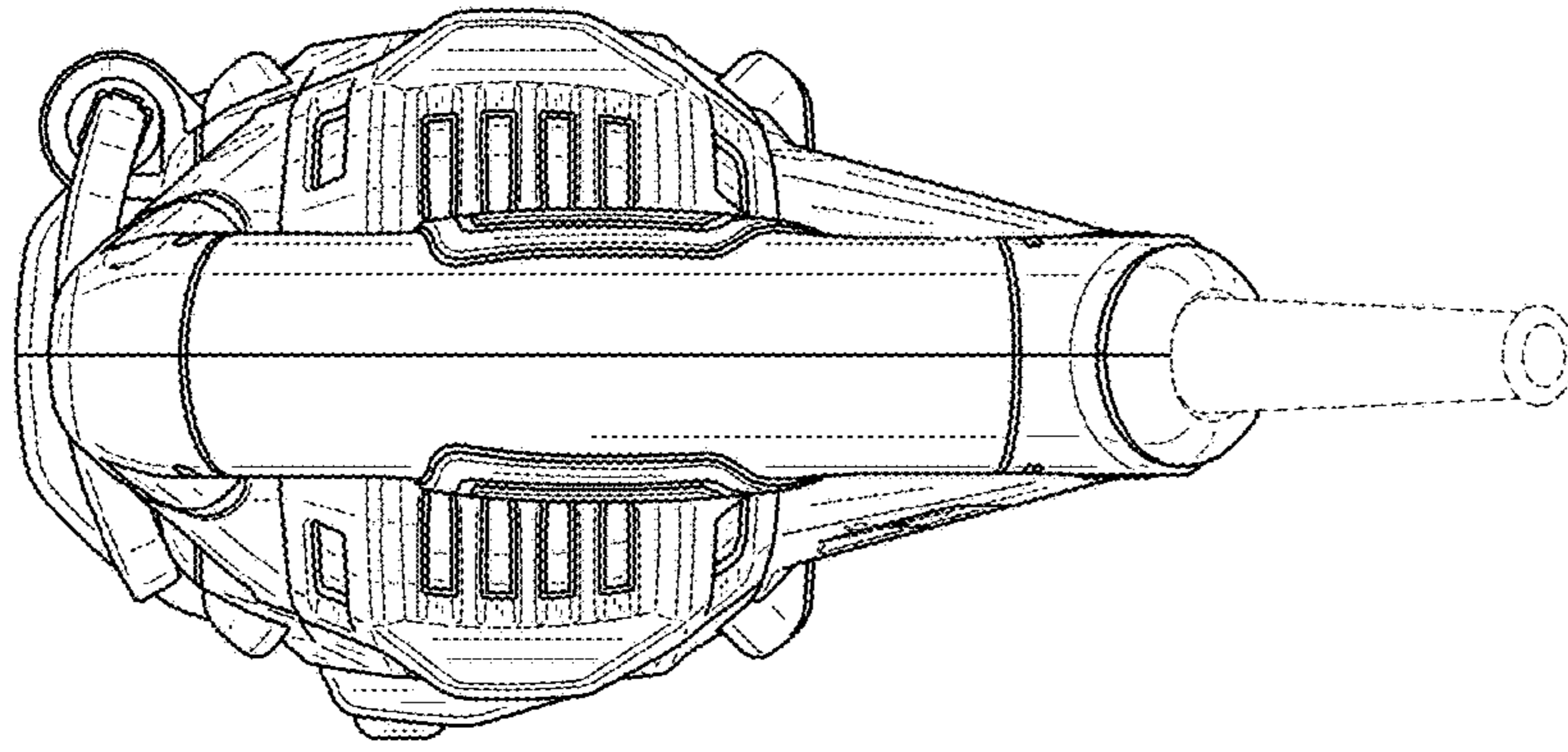


FIG. 5

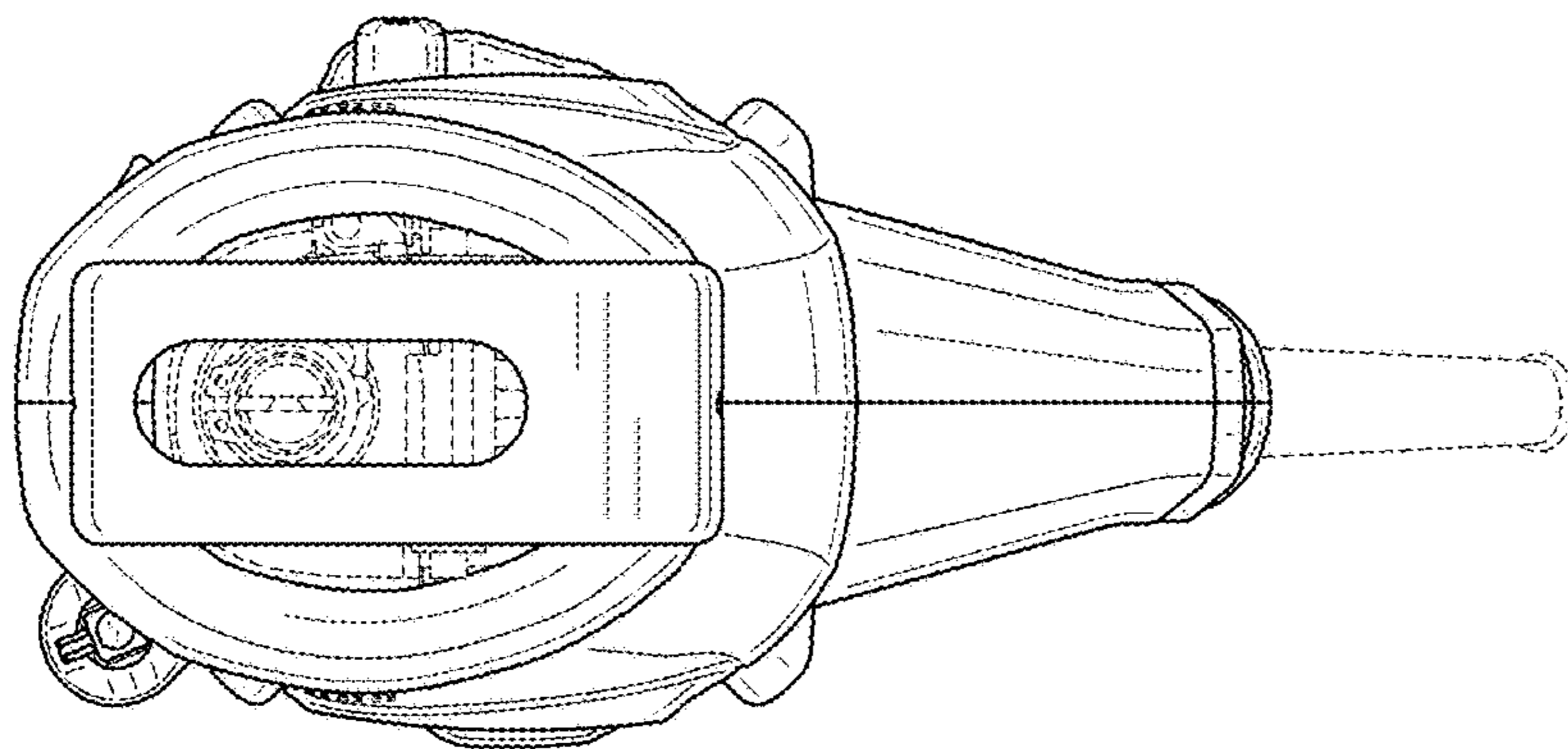


FIG. 4

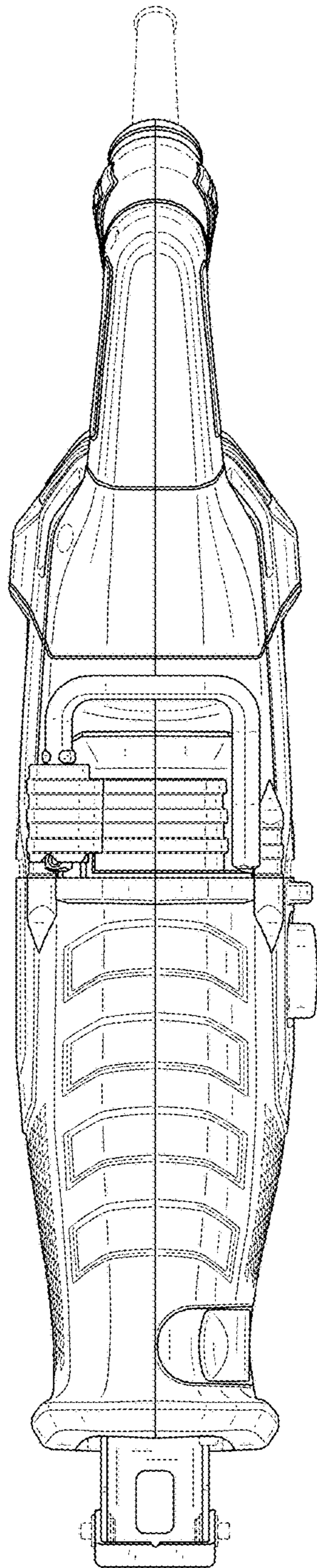


FIG. 6

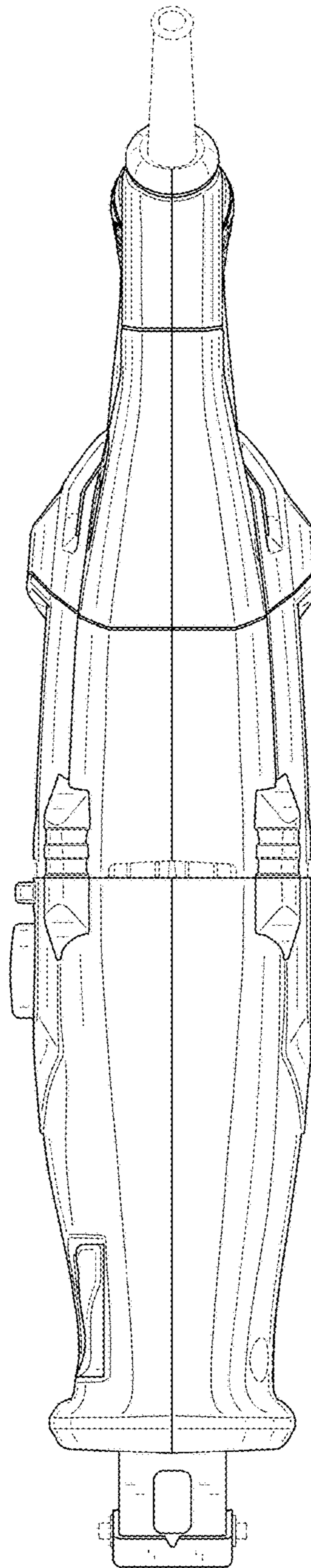


FIG. 7