



US00D867842S

(12) **United States Design Patent** (10) **Patent No.:** **US D867,842 S**
Shimazu et al. (45) **Date of Patent:** **** Nov. 26, 2019**

(54) **HOT AIR GUN**

(71) Applicant: **Leister Technologies AG**, Kagiswil (CH)

(72) Inventors: **Haruka Shimazu**, Adligenwil (CH);
Adam Warkiewicz, Bichelsee (CH)

(73) Assignee: **Leister Technologies AG**, Kagiswil (CH)

(**) Term: **15 Years**

(21) Appl. No.: **29/665,418**

(22) Filed: **Oct. 3, 2018**

(30) **Foreign Application Priority Data**

Apr. 25, 2018 (EM) 00528457-0001

(51) **LOC (12) Cl.** **08-05**

(52) **U.S. Cl.**
USPC **D8/29.1; D15/144**

(58) **Field of Classification Search**
USPC D7/416; D8/29, 29.1, 29.2, 30, 68, 107;
D15/144, 144.1, 144.2; D27/139, 154,
D27/157; D23/223; D28/13, 17, 61, 67,
D28/68

CPC A45D 20/08; A45D 20/10; F24H 3/00;
F24H 3/0423; F16M 13/00

See application file for complete search history.

(56) **References Cited**

U.S. PATENT DOCUMENTS

D274,551 S * 7/1984 Benjamin D28/13
D296,070 S * 6/1988 Cunningham D28/13
D297,397 S * 8/1988 Pagani D8/29.1
D297,398 S * 8/1988 Pagani D8/29.1
D334,876 S * 4/1993 Swetish D8/29.1
D388,297 S * 12/1997 Buttenbender D8/29.1
D456,679 S * 5/2002 Cheng D8/29.1
D457,043 S * 5/2002 Cheng D8/29.1

D457,044 S * 5/2002 Cheng D8/29.1
D457,407 S * 5/2002 Pretzell D8/29.1
D481,277 S * 10/2003 Waldron D8/29.1
D516,883 S * 3/2006 Popov D8/29.1

(Continued)

OTHER PUBLICATIONS

RexBeti Heat Gun, posted on letgo.com, posted Jun. 2019, [online], [stie visted Jul. 15, 2019], Available from Internet, URL: https://us.letgo.com/en/i/heat-gun-portable-1500w-dual-temperature-hot-air-gun-525-932-by-rexbeti-7-accessories-for-heat-shrink-tubing_6bb0b255-ae7b-4edd-ae3-7180cb1 (Year: 2019).*

(Continued)

Primary Examiner — Garth Rademaker

Assistant Examiner — Fritzgerald L Butac

(74) *Attorney, Agent, or Firm* — Charles H. Jew

(57) **CLAIM**

The ornamental design for a hot air gun, as shown and described.

DESCRIPTION

The file of this patent application contains at least one drawings/photograph executed in color. Copies of this patent with color drawing(s)/photograph(s) will be provided by the Patent and Trademark Office upon request and payment of the necessary fee.

FIG. 1 is a right side elevational view of a hot air gun showing our design;

FIG. 2 is a left side elevational view thereof;

FIG. 3 is a top plan view thereof;

FIG. 4 is a bottom plan view thereof;

FIG. 5 is a front elevational view thereof;

FIG. 6 is a rear elevational view thereof; and,

FIG. 7 is a front perspective view thereof.

The green, blue and black colors shown in the drawings form part of the design.

1 Claim, 4 Drawing Sheets
(4 of 4 Drawing Sheet(s) Filed in Color)



(56)

References Cited

U.S. PATENT DOCUMENTS

D572,097 S * 7/2008 Yung-Kuan D28/13
 D615,834 S * 5/2010 Netzler D8/29.1
 D615,835 S * 5/2010 Netzler D8/29.1
 D617,618 S * 6/2010 Steinel D28/13
 D639,129 S * 6/2011 Van Wambeke D8/29.1
 D641,220 S * 7/2011 Shi D8/29.1
 7,982,163 B2 * 7/2011 Chung F24H 3/0423
 219/227
 D664,820 S * 8/2012 Furling D8/29.1
 D679,561 S * 4/2013 Price D8/29.1
 D709,745 S * 7/2014 Radwill D8/29.1
 D710,165 S * 8/2014 Radwill D8/29.1
 D740,629 S * 10/2015 Furling D8/29.1
 D742,708 S * 11/2015 Howell D8/29.1
 D745,636 S * 12/2015 Lin D23/226
 D746,653 S * 1/2016 Furling D8/29.1
 D771,454 S * 11/2016 Steinel D8/29.1
 D799,637 S * 10/2017 Tschan D23/223
 D803,649 S * 11/2017 van der Rest D8/68
 D829,519 S * 10/2018 Teraoka D8/29.1

D846,963 S * 4/2019 van der Rest D8/68
 2013/0228232 A1 * 9/2013 Chen F24H 9/00
 137/335
 2013/0230816 A1 * 9/2013 Chen F24H 3/02
 432/222

OTHER PUBLICATIONS

Wagner Furno 500 Heat Gun, posted on homedepot.com, earliest review Feb. 2012, no production date given, [online], [site visited Jul. 15, 2019], Available from Internet, URL: <https://www.homedepot.com/p/Wagner-Furno-500-Heat-Gun-0503063/206723949> (Year: 2012).*

Porter-Cable Heat Gun, posted on lowes.com, earliest review Mar. 2011, no production date given, [online], [site visited Jul. 15, 2019], Available from Internet, URL: <https://www.lowes.com/pd/PORTER-CABLE-Heat-Gun/3341122> (Year: 2011).*

Hot Air Heat Gun, posted on alibaba.com, no posted date given, no production date given, [online], [site visited Jul. 15, 2019], Available from Internet, URL: https://www.alibaba.com/product-detail/AC-220V-1800W-Hot-Air-Heat_1115726389.html?spm=a2700.7724857.normalList.13.6ae456afIItXNU&s=p (Year: 2019).*

* cited by examiner

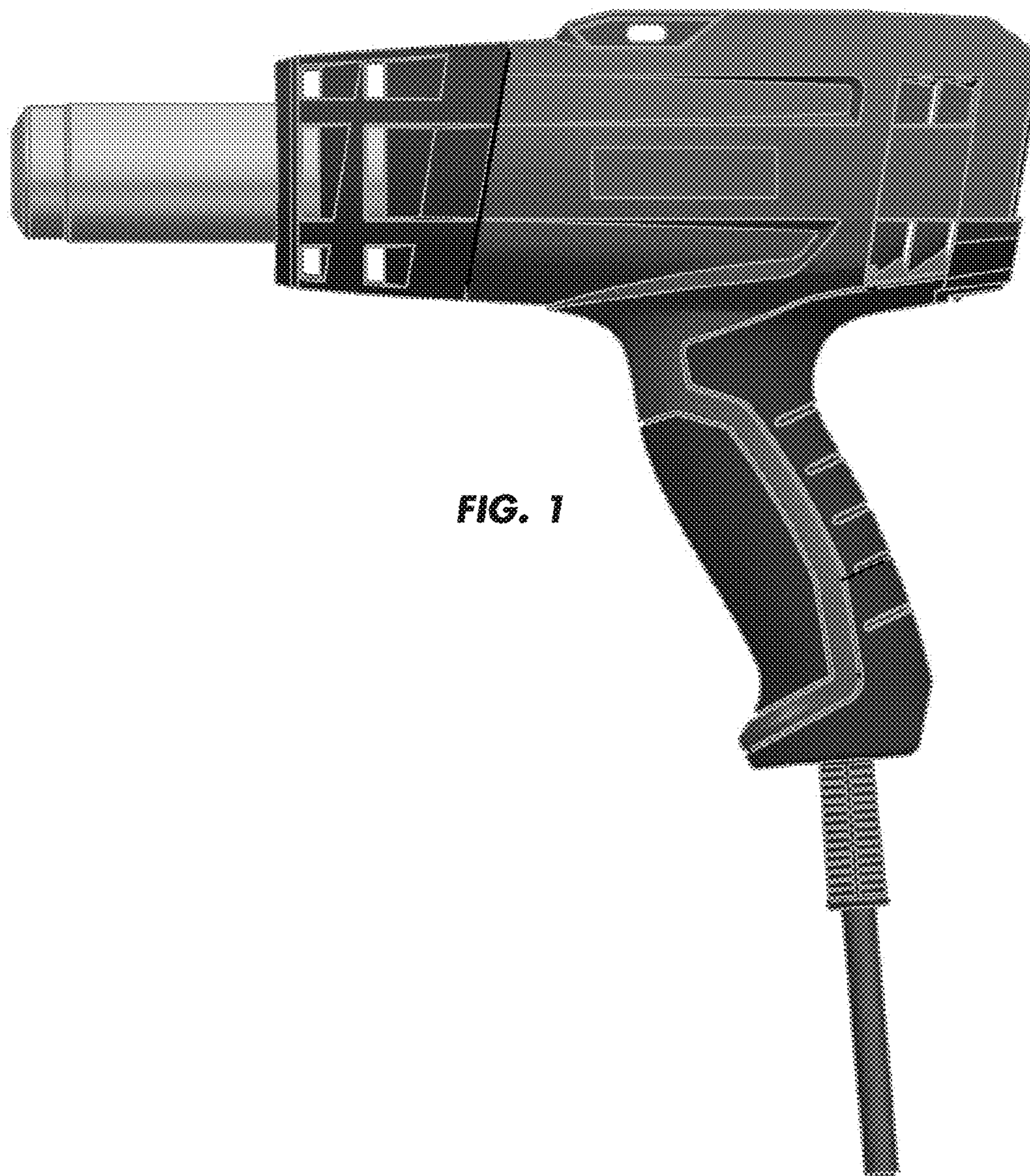


FIG. 1

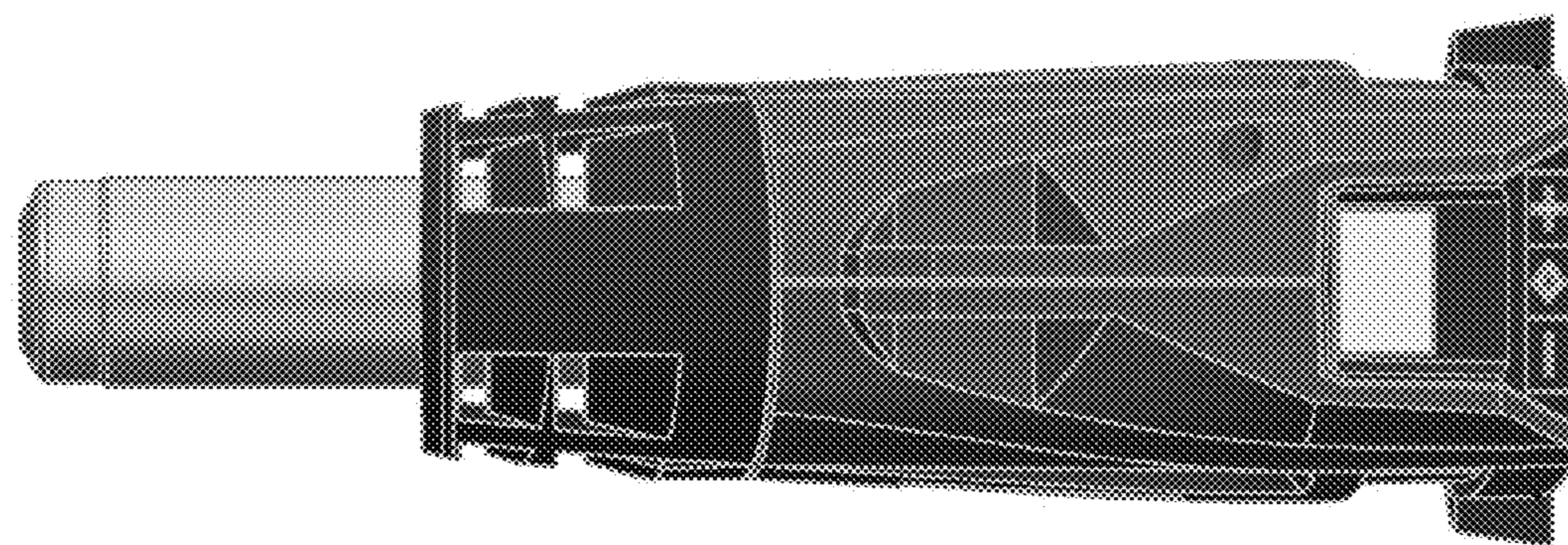


FIG. 3

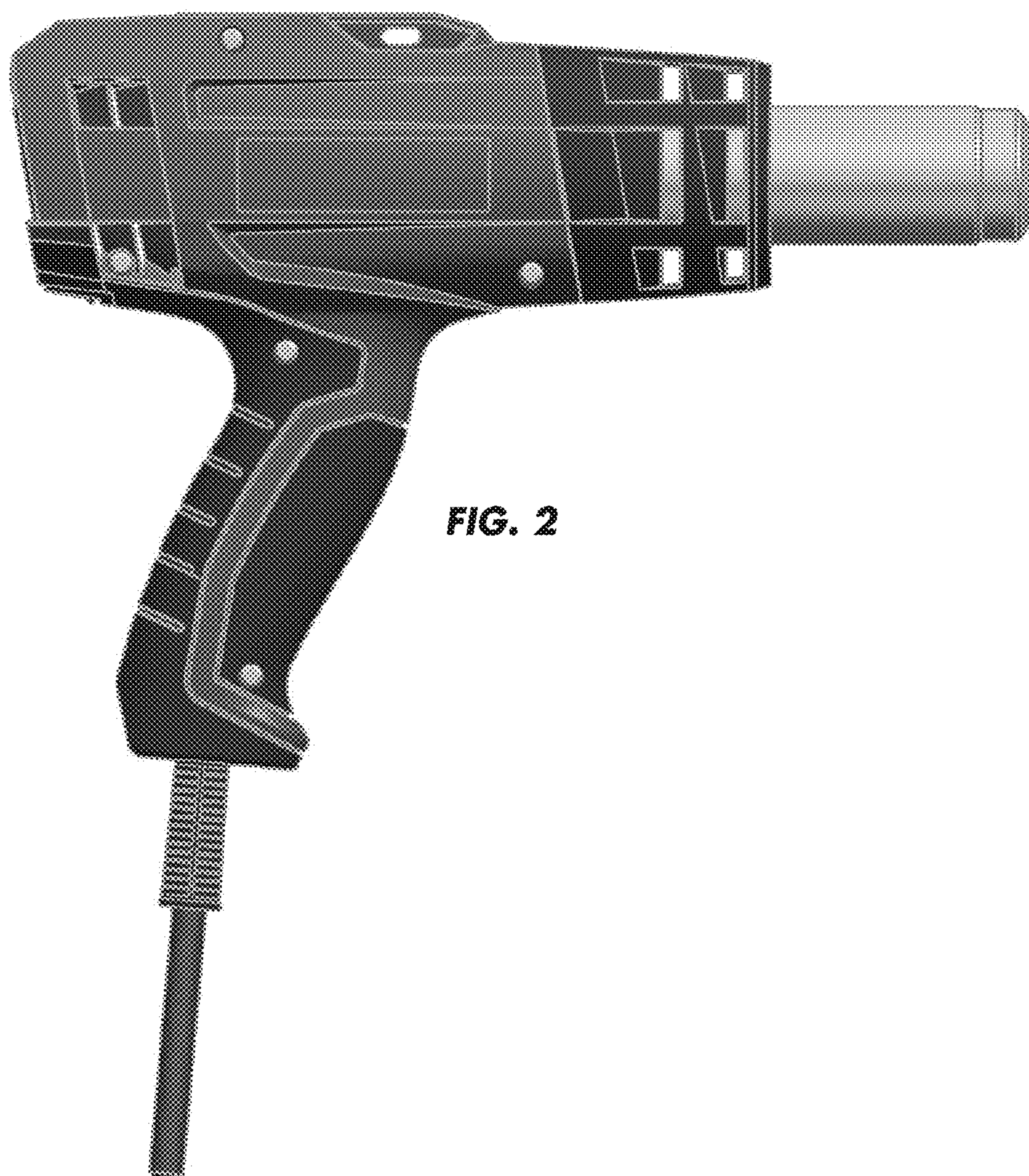


FIG. 2

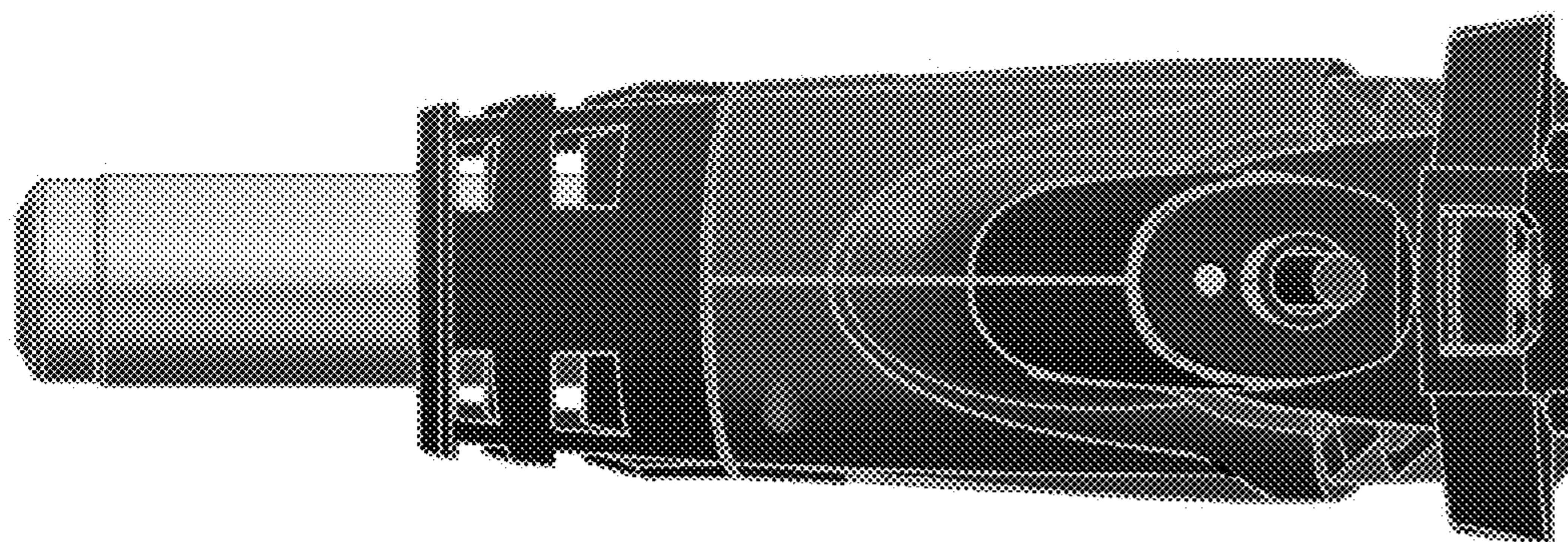


FIG. 4

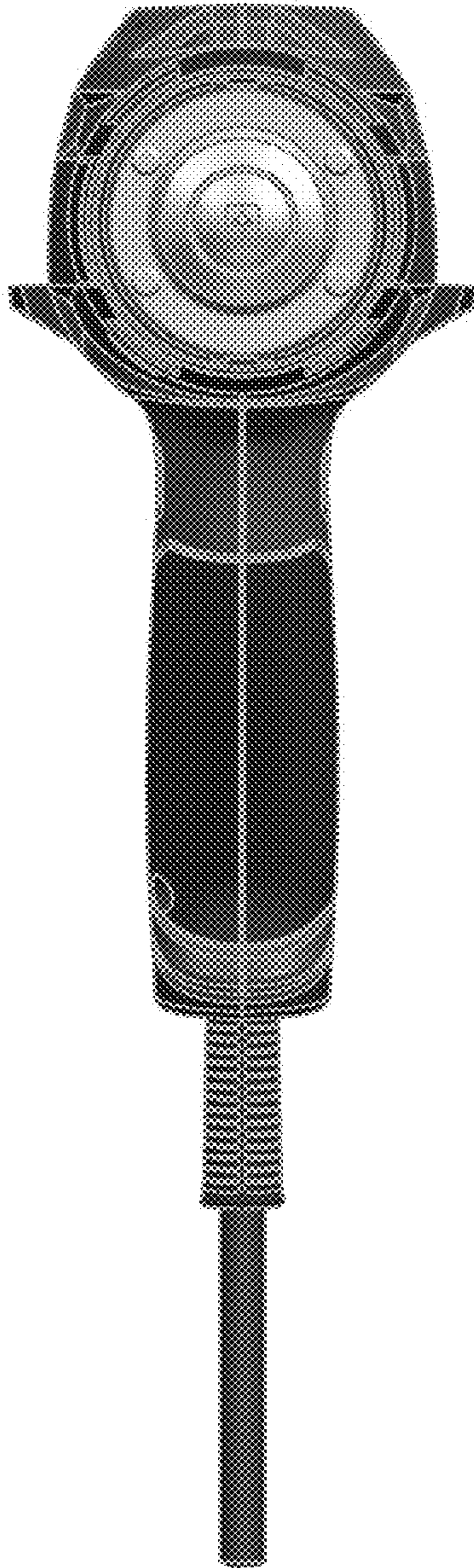


FIG. 5

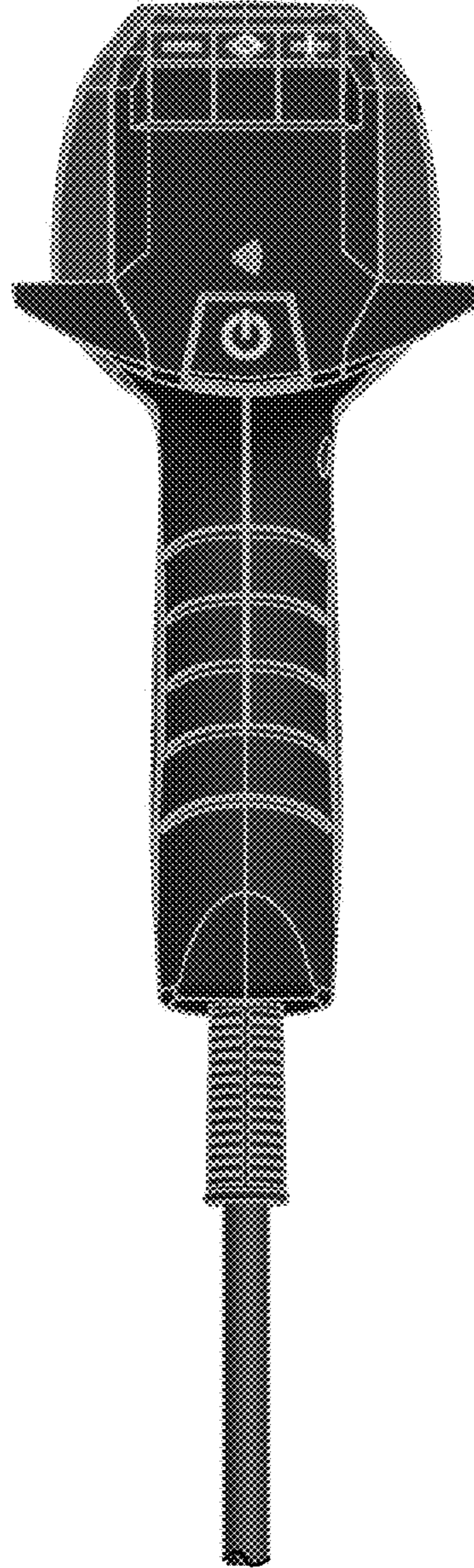


FIG. 6



FIG. 7