

US00D867841S

(12) **United States Design Patent** (10) **Patent No.:** **US D867,841 S**
Kukucka et al. (45) **Date of Patent:** **** Nov. 26, 2019**

- (54) **SOCKET**
- (71) Applicant: **GRIP HOLDINGS LLC**, Brandon, FL (US)
- (72) Inventors: **Paul Kukucka**, Brandon, FL (US);
Thomas Stefan Kukucka, Brandon, FL (US)
- (73) Assignee: **GRIP HOLDINGS LLC**, Brandon, FL (US)
- (**) Term: **15 Years**
- (21) Appl. No.: **29/698,385**
- (22) Filed: **Jul. 16, 2019**

Related U.S. Application Data

- (63) Continuation-in-part of application No. 29/698,381, filed on Jul. 16, 2019, and a continuation-in-part of application No. 16/033,970, filed on Jul. 12, 2018.
- (51) **LOC (12) Cl.** **08-05**
- (52) **U.S. Cl.**
USPC **D8/29**
- (58) **Field of Classification Search**
USPC D8/29; 81/60, 177.1, 177.85, 121.1, 81/124.3, 165-170, 110.1, 176.2, 124.6, 81/176.1, 176.15, 117.2, 186; 16/110.1
CPC B25B 13/06; B25B 13/065
See application file for complete search history.

References Cited

U.S. PATENT DOCUMENTS

4,126,063	A	11/1978	Palmer	
6,098,501	A	8/2000	Sundstrom	
D524,615	S	7/2006	Albertson	
D526,172	S	8/2006	Lin	
D709,343	S *	7/2014	Huang D8/29
D745,813	S	12/2015	Hsieh	

D745,814	S	12/2015	Hsieh	
D749,384	S	2/2016	Chang	
D773,266	S *	12/2016	Hsieh D8/27
D787,906	S *	5/2017	Chang D8/29
9,687,968	B2	6/2017	Doroslovac	
D794,405	S	8/2017	Doroslovac	
D823,083	S	7/2018	Chang	
D828,130	S	9/2018	Chang	
2015/0314429	A1	11/2015	Doroslovac	
2017/0252905	A1	9/2017	Doroslovac	

FOREIGN PATENT DOCUMENTS

AU	2017271372	12/2018
WO	DM091188	11/2016
WO	DM091189	11/2016

* cited by examiner

Primary Examiner — Randall H Gholson

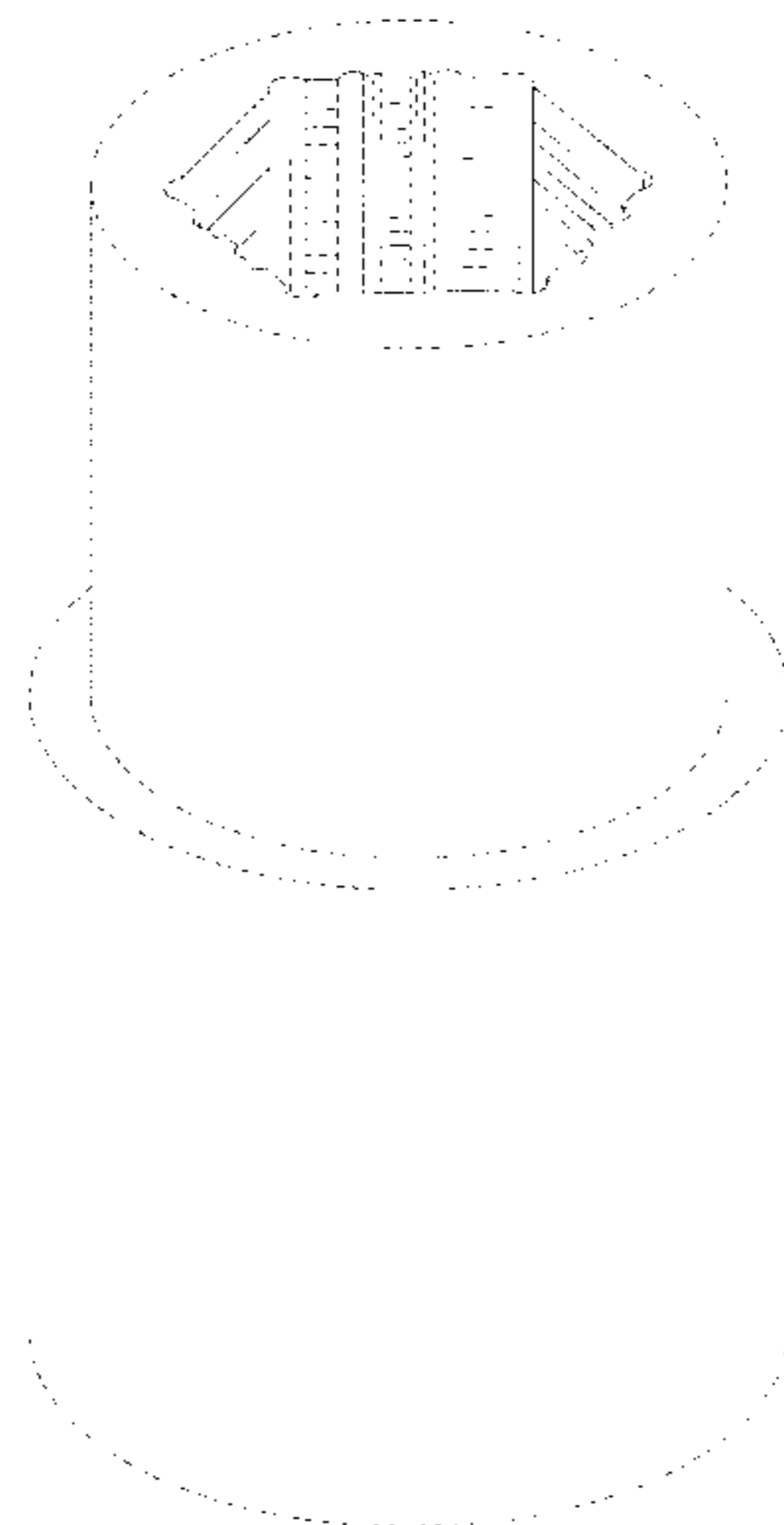
(57) **CLAIM**

The ornamental design for a socket, as shown and described.

DESCRIPTION

FIG. 1 is a top-perspective view of a socket showing our new design;
 FIG. 2 is a bottom-perspective view thereof;
 FIG. 3 is a top plan view thereof;
 FIG. 4 is a bottom plan view thereof;
 FIG. 5 is a right-side elevation view thereof;
 FIG. 6 is a left-side elevation view thereof;
 FIG. 7 is a front elevation view thereof;
 FIG. 8 is a rear elevation view thereof;
 FIG. 9 is a cross-sectional view taken along line 9-9 in FIG. 3; and,
 FIG. 10 is a cross-sectional view taken along line 10-10 in FIG. 3.
 The broken line showing the anti-slip torque tool in FIGS. 1-10 is included for the purpose of showing environmental structure and form no part of the claimed design.

1 Claim, 10 Drawing Sheets



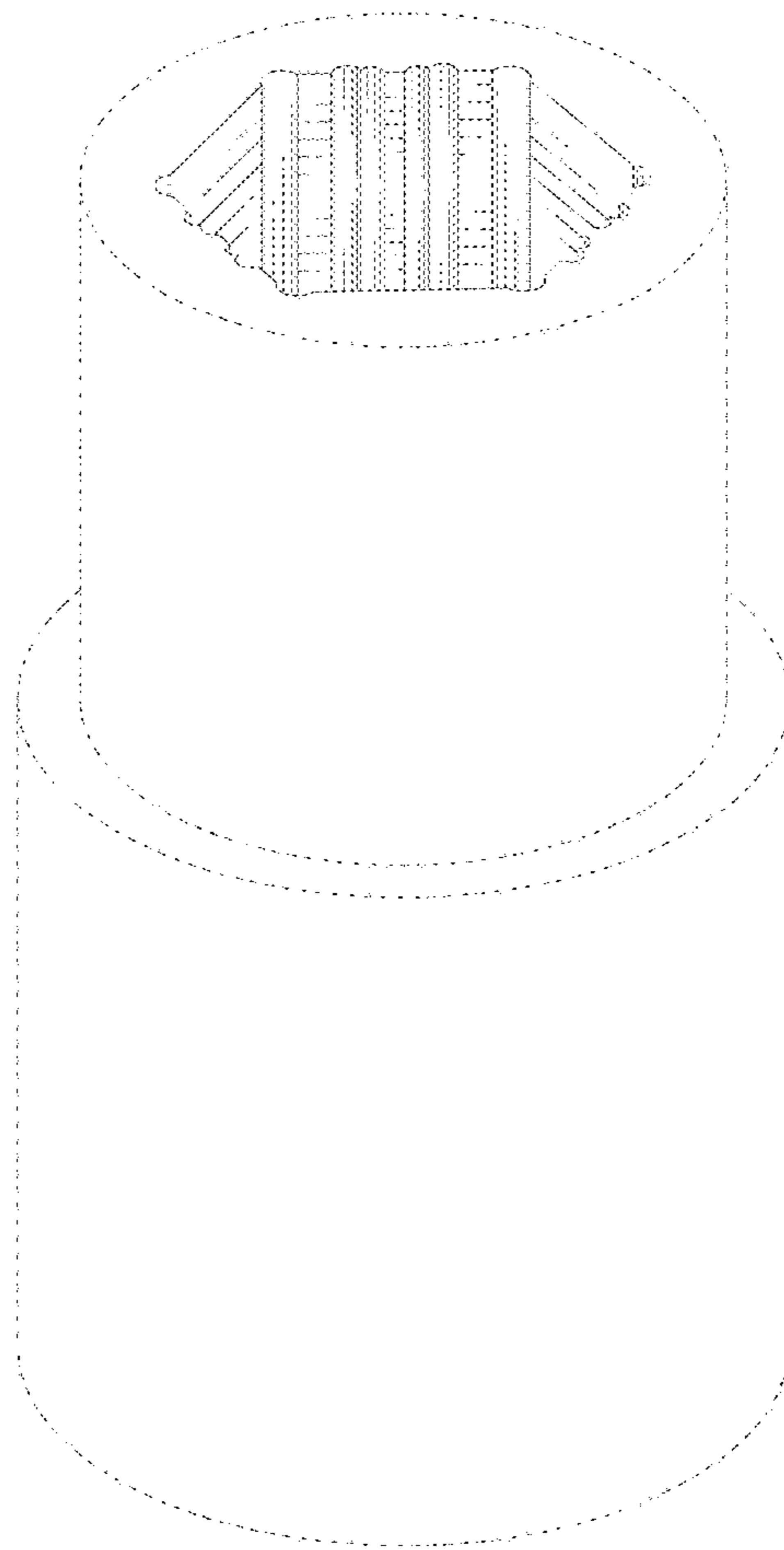


FIG. 1

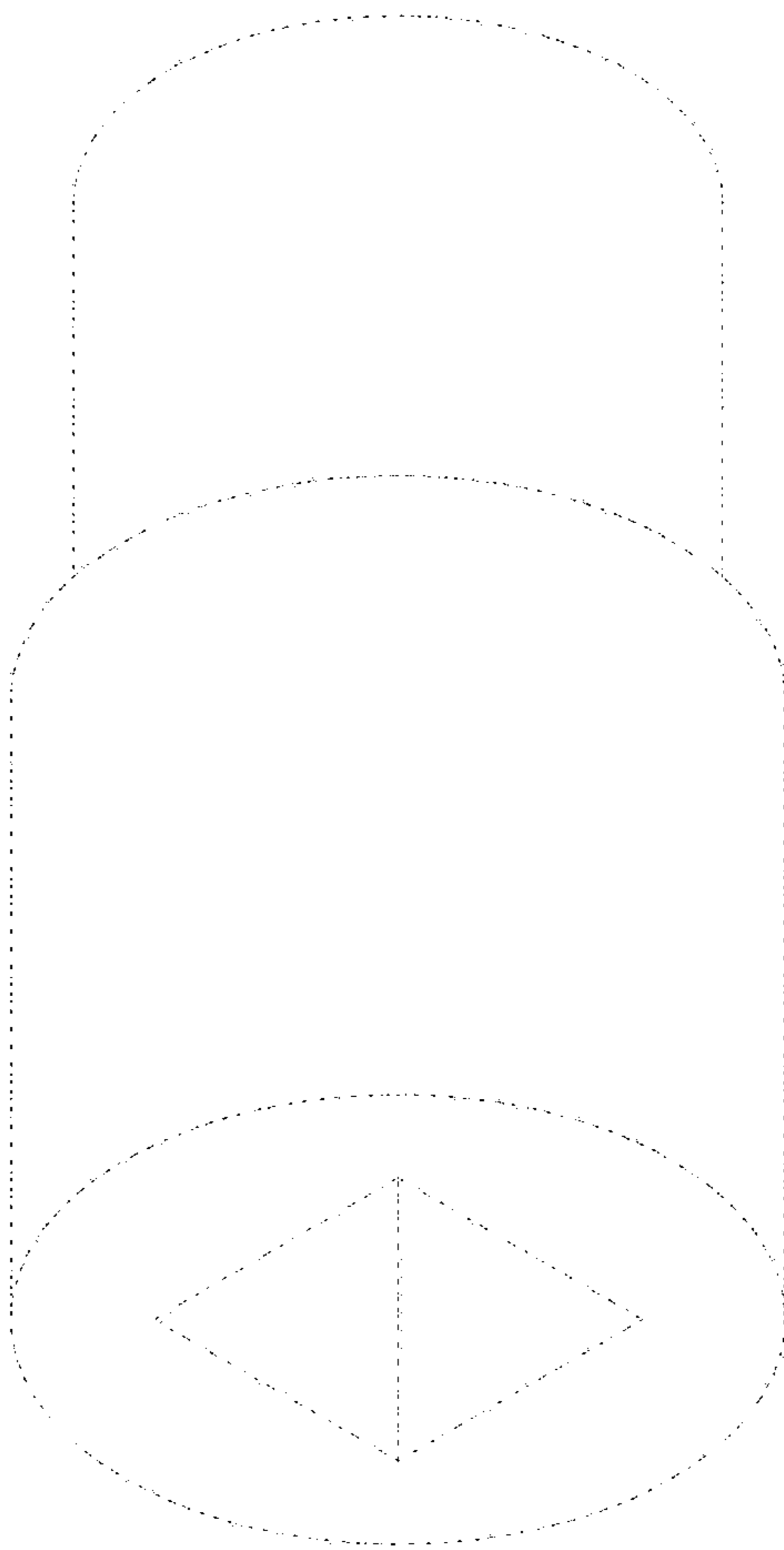


FIG. 2

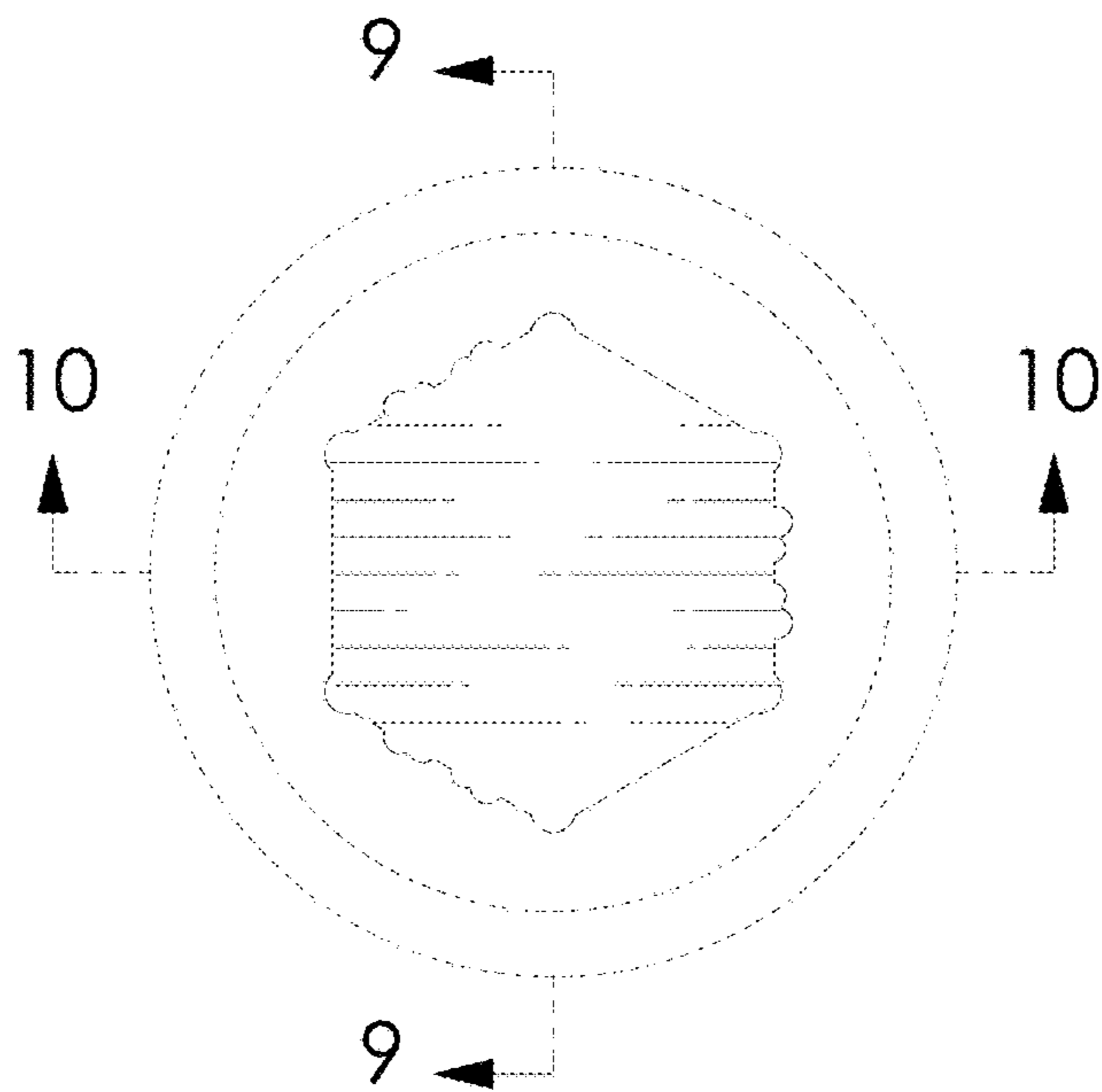


FIG. 3

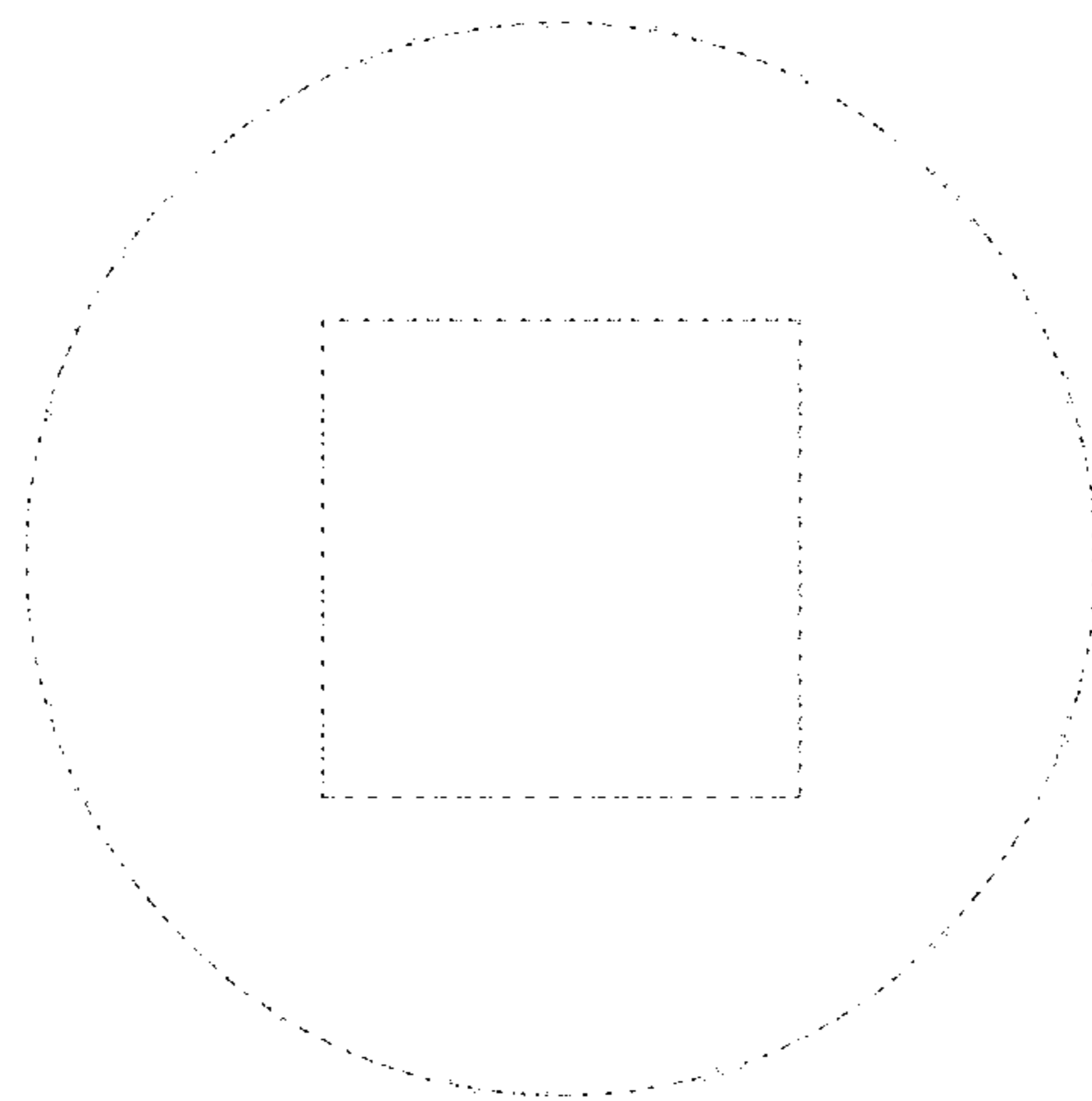


FIG. 4

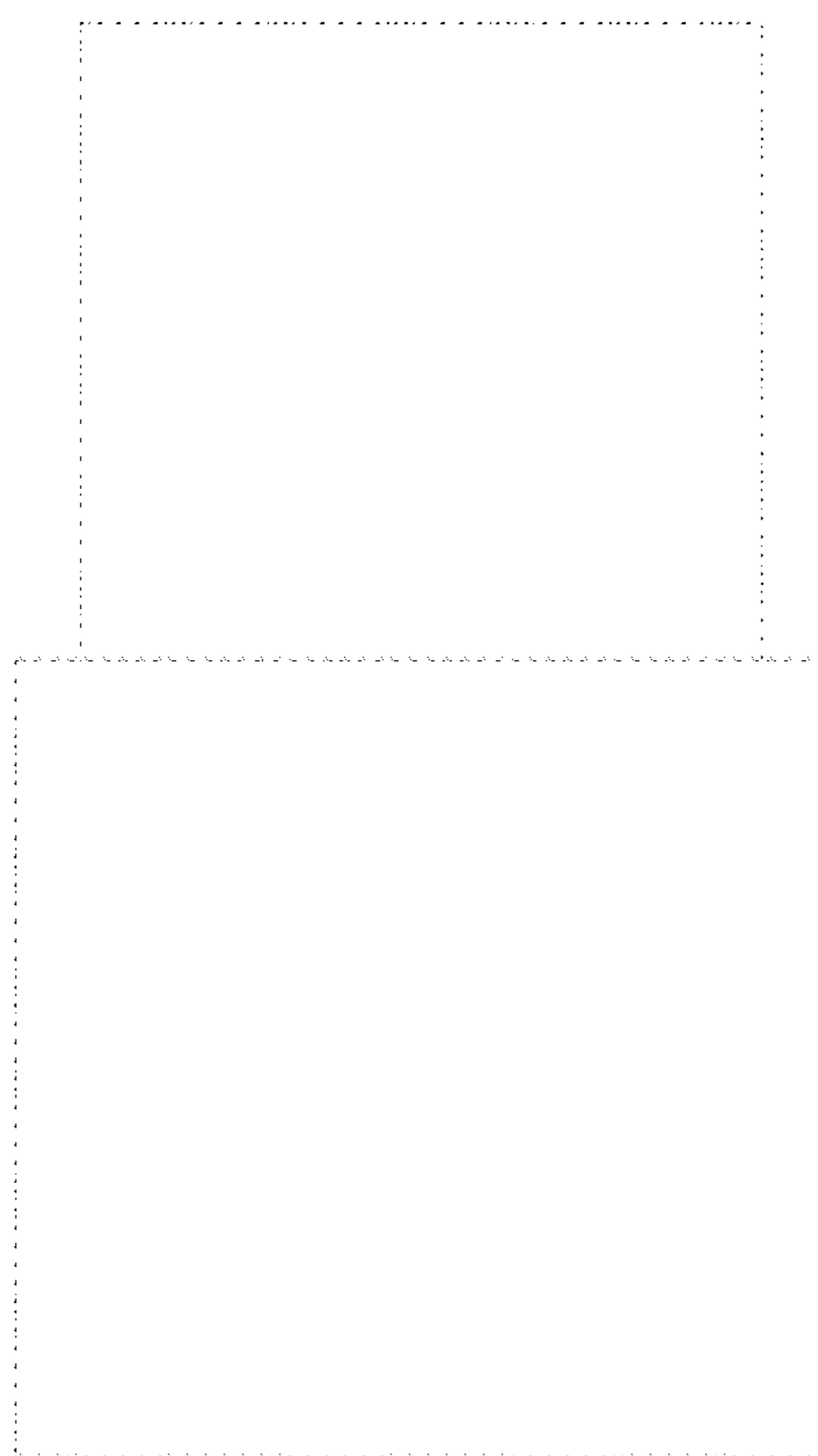


FIG. 5

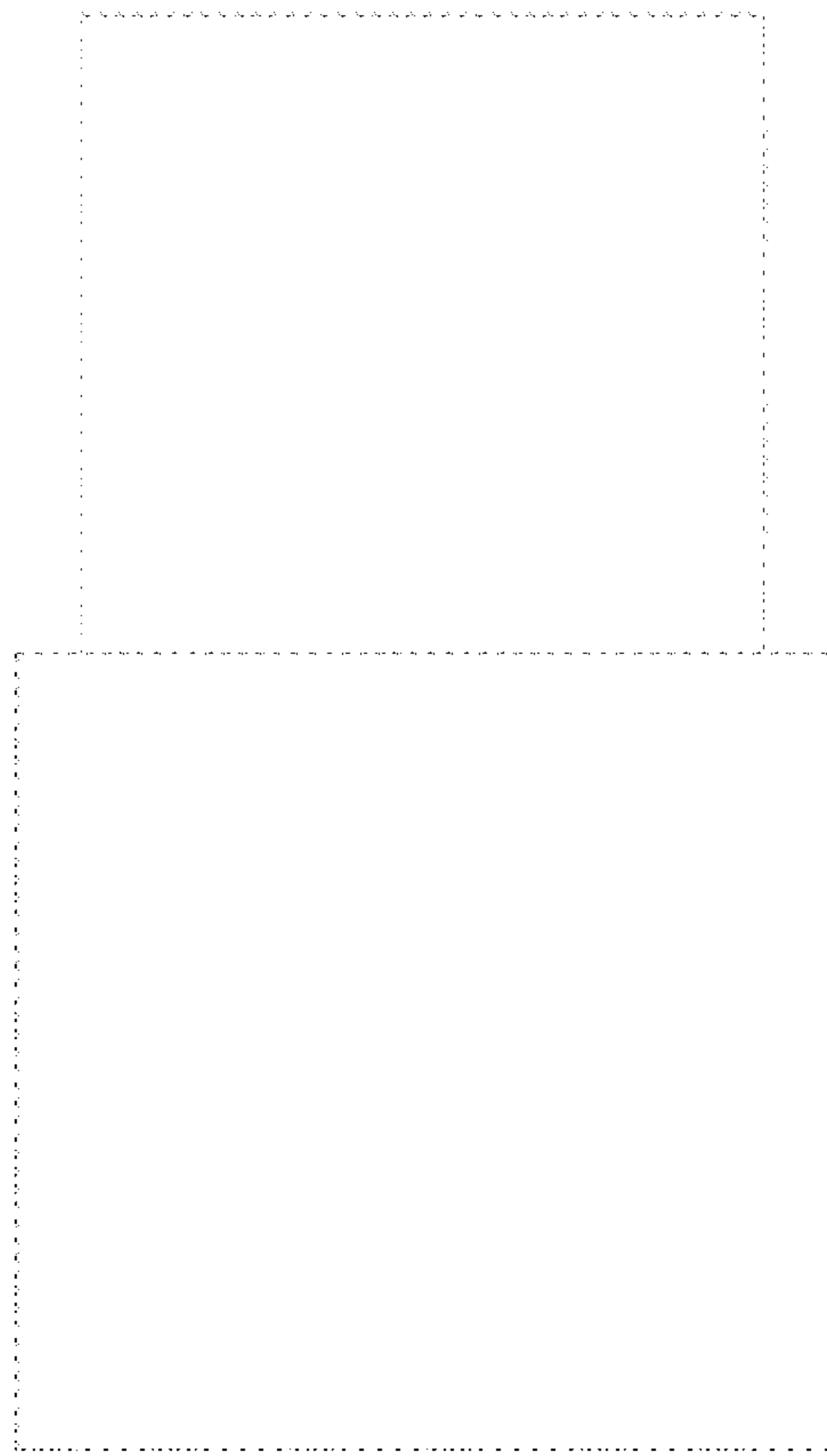


FIG. 6

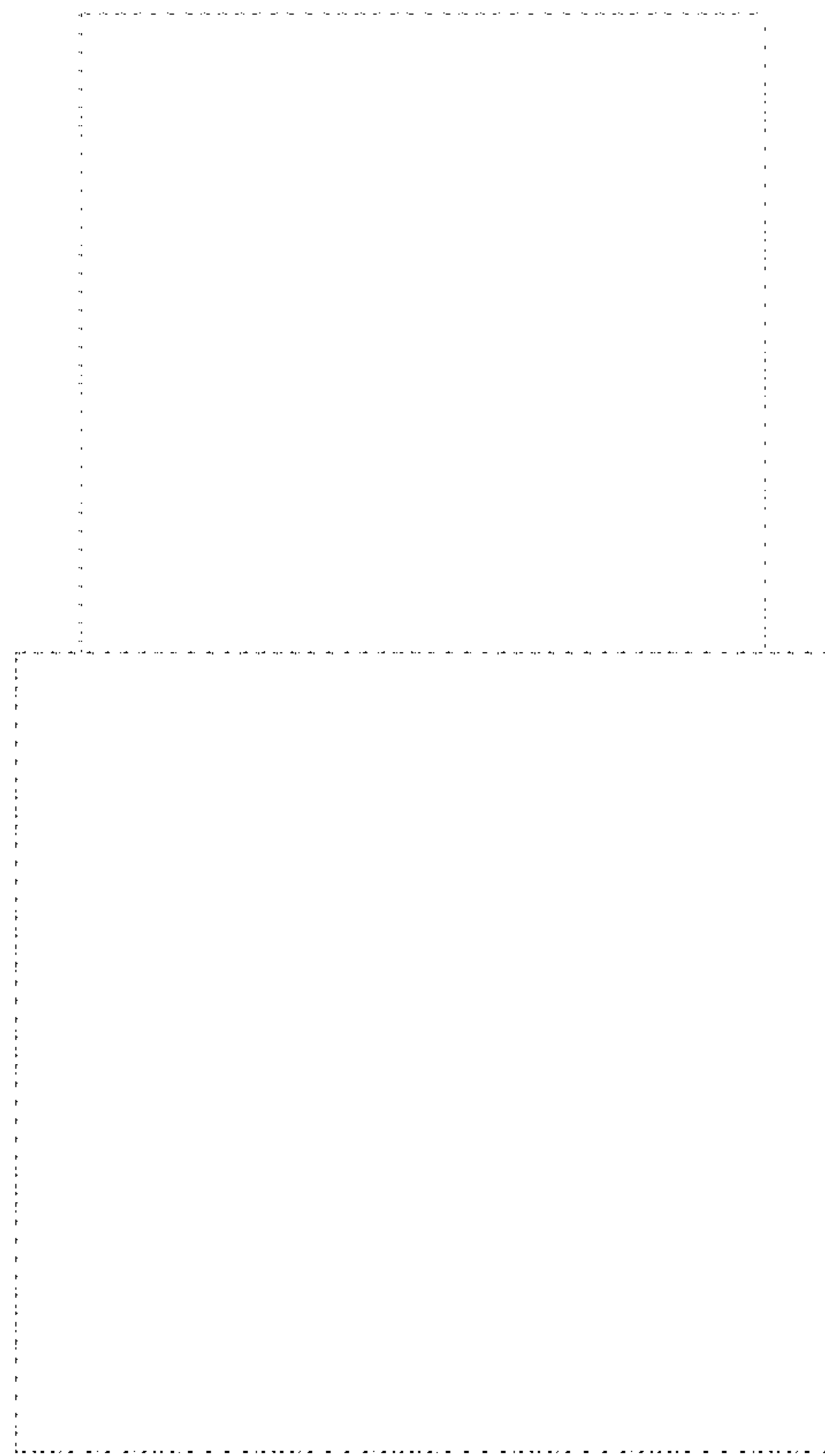


FIG. 7

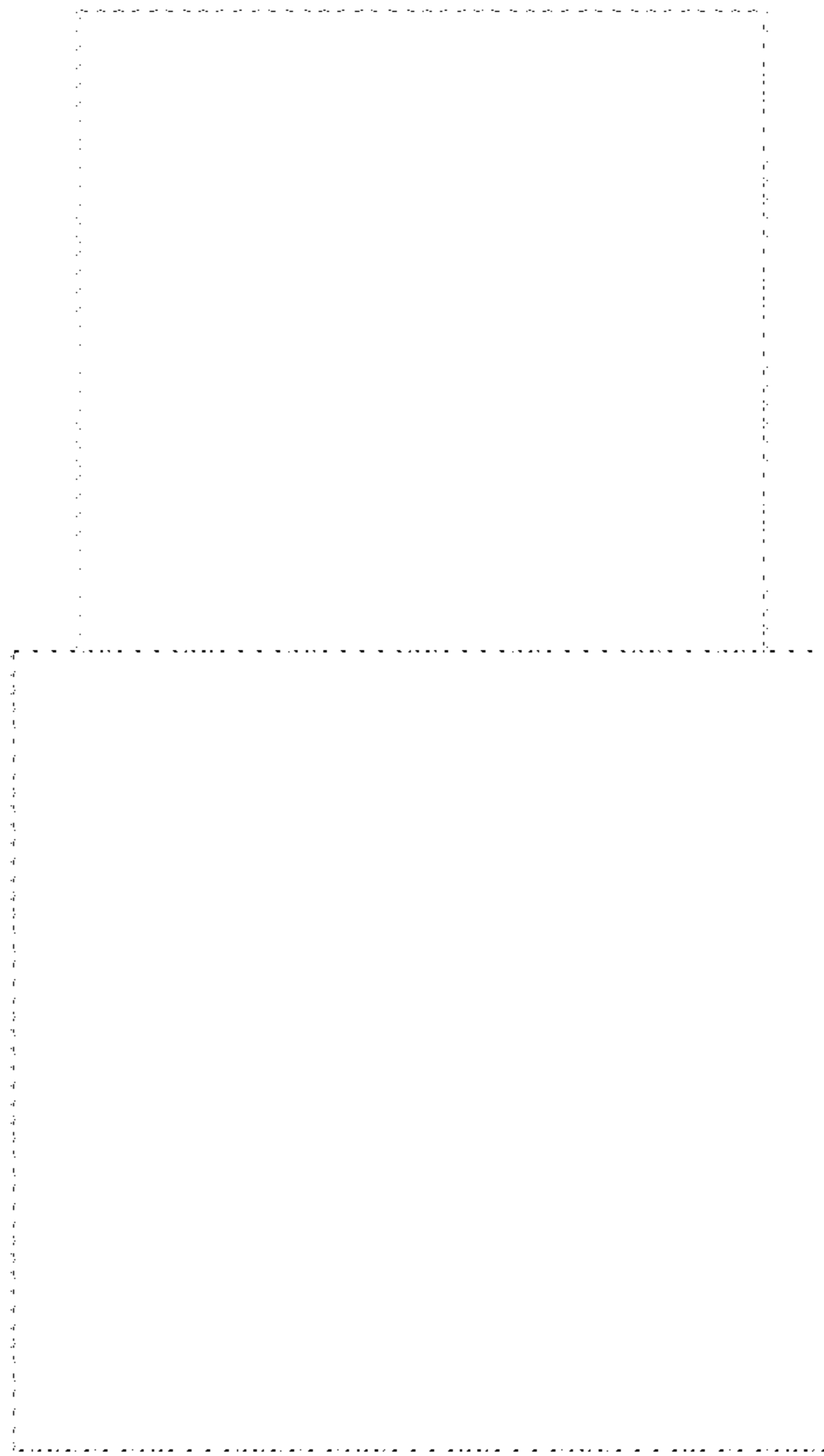


FIG. 8

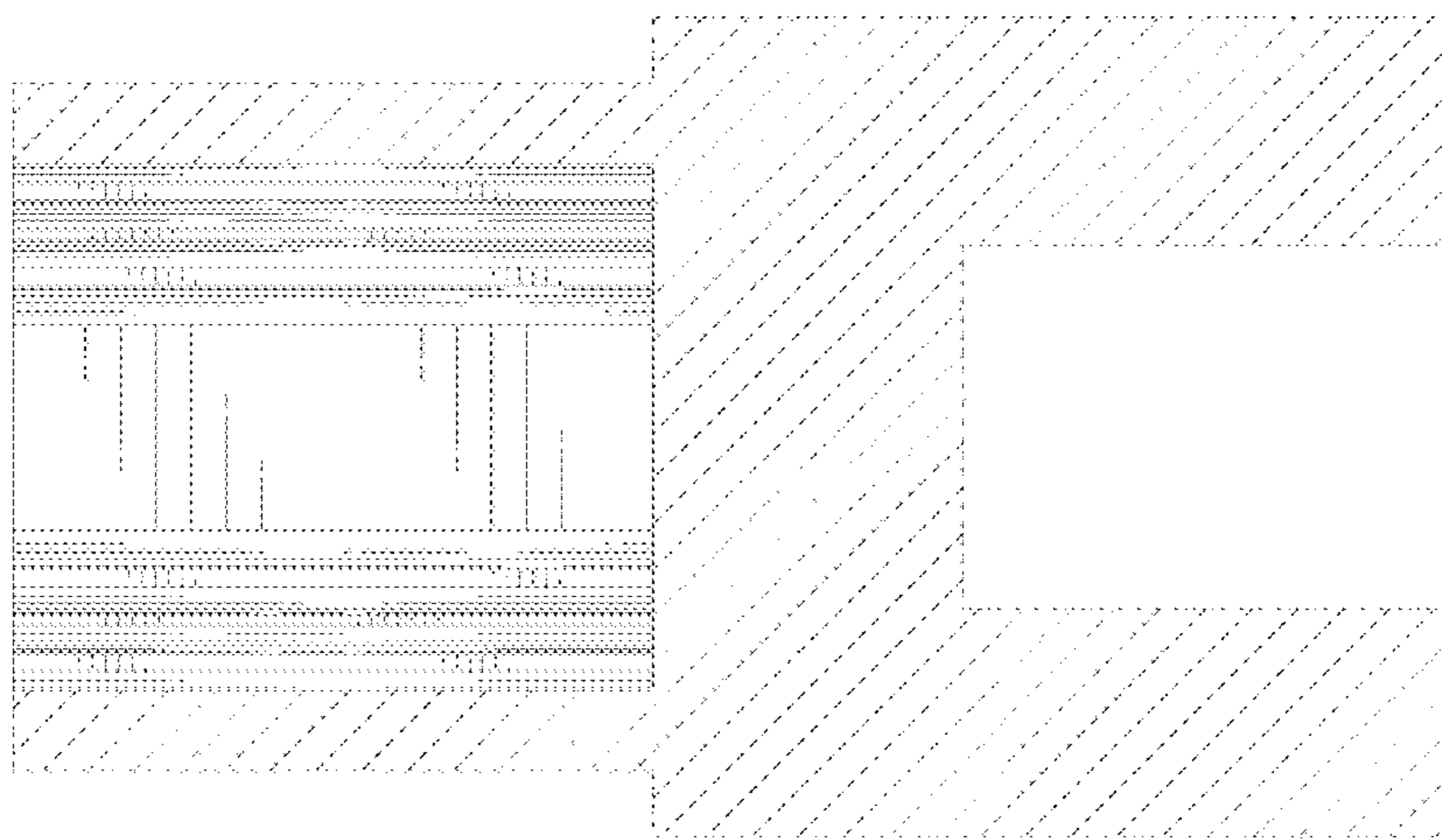


FIG. 9

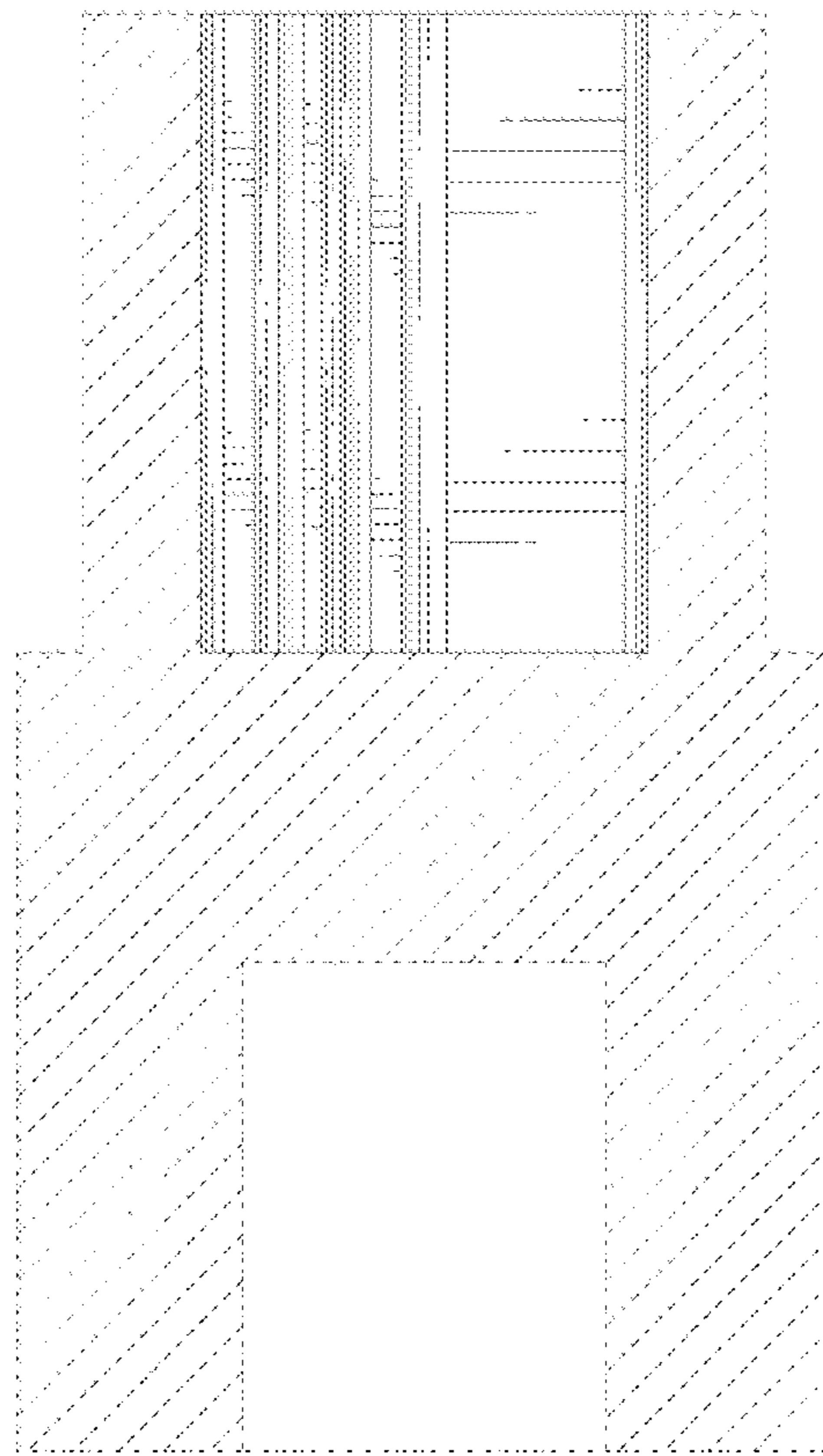


FIG. 10