

US00D867839S

(12) **United States Design Patent**  
**DeFries**

(10) **Patent No.:** **US D867,839 S**

(45) **Date of Patent:** **\*\* Nov. 26, 2019**

- (54) **DOUBLE ENDED HAND TOOL**
- (71) Applicant: **Kellie DeFries**, National City, CA (US)
- (72) Inventor: **Kellie DeFries**, National City, CA (US)
- (\*\*) Term: **15 Years**
- (21) Appl. No.: **29/657,826**
- (22) Filed: **Jul. 25, 2018**

**Related U.S. Application Data**

- (63) Continuation of application No. 14/641,208, filed on Mar. 6, 2015, now Pat. No. 10,308,005.
- (51) **LOC (12) Cl.** ..... **08-05**
- (52) **U.S. Cl.**  
USPC ..... **D8/26; D8/55; D19/108**
- (58) **Field of Classification Search**  
USPC ..... D8/26, 51, 52, 55, 394; D19/108, 129, D19/199, 117; 81/7; 29/10; 408/181  
CPC ..... A44C 17/043; B25B 11/007  
See application file for complete search history.

(56) **References Cited**

**U.S. PATENT DOCUMENTS**

- 1,469,500 A \* 10/1923 De Long ..... B23B 3/00  
82/157
- D138,875 S \* 9/1944 Weiss ..... D8/98

- 2,368,324 A \* 1/1945 Rayne ..... A61C 1/14  
279/51
- D304,733 S \* 11/1989 Lehman ..... D19/108
- D373,634 S \* 9/1996 Brown ..... D24/133
- D551,569 S \* 9/2007 Tanaka ..... D9/724
- D589,555 S \* 3/2009 Li ..... D19/117
- D666,670 S \* 9/2012 Dehne ..... D19/108
- D675,540 S \* 2/2013 Montminy ..... D24/114
- D690,363 S \* 9/2013 Yamanaka ..... D19/200
- D700,488 S \* 3/2014 Rapko ..... D8/51

\* cited by examiner

*Primary Examiner* — Randall H Gholson

(74) *Attorney, Agent, or Firm* — Braxton Perrone, PLLC

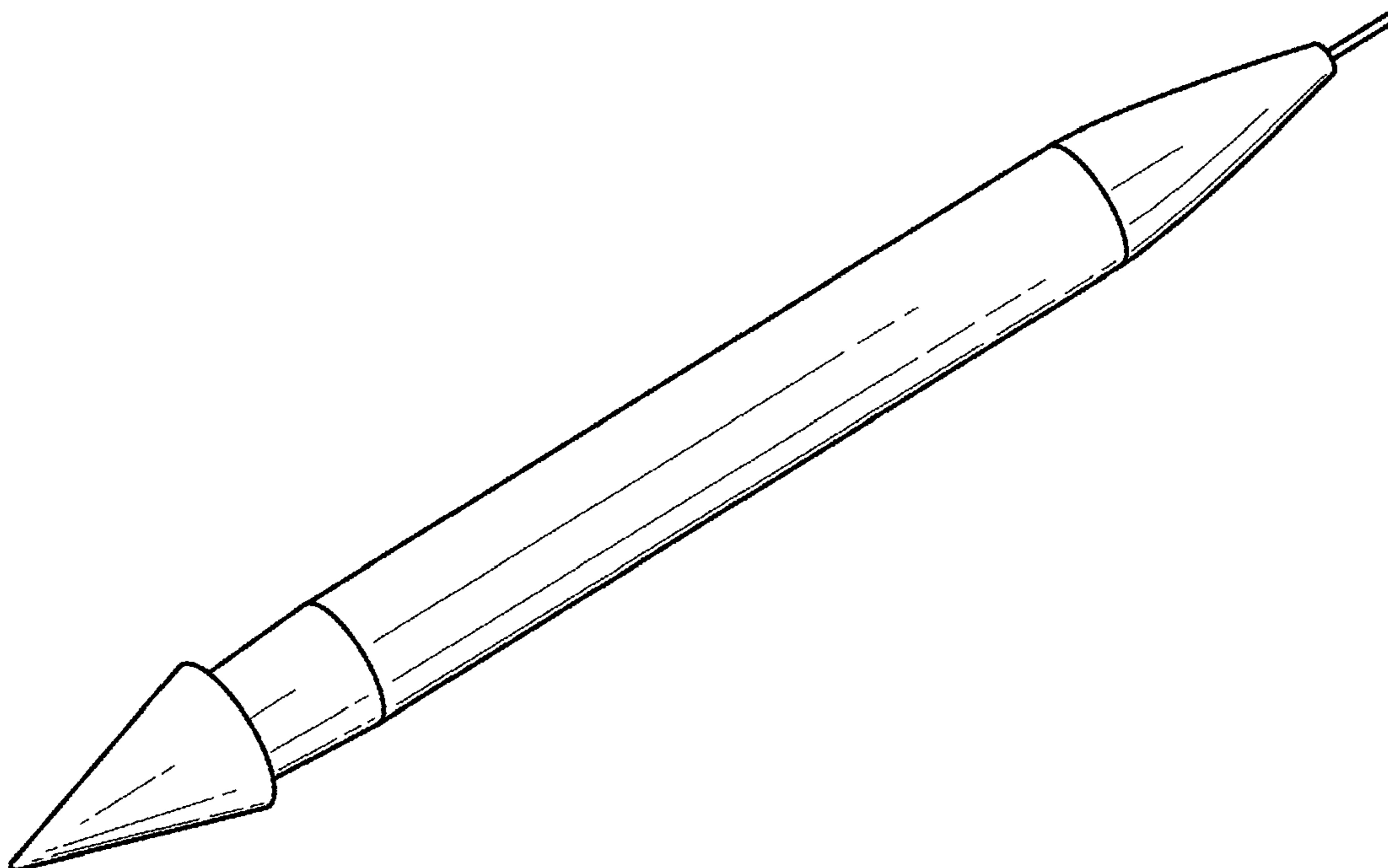
(57) **CLAIM**

The ornamental design for a double ended hand tool, as shown and described.

**DESCRIPTION**

FIG. 1 is a left perspective view of the double ended hand tool;  
 FIG. 2 is a right perspective view of the double ended hand tool;  
 FIG. 3 is a top plan view of the double ended hand tool;  
 FIG. 4 is a bottom plan view of the double ended hand tool;  
 FIG. 5 is a front view of the double ended hand tool; and,  
 FIG. 6 is a rear view of the double ended hand tool.

**1 Claim, 3 Drawing Sheets**



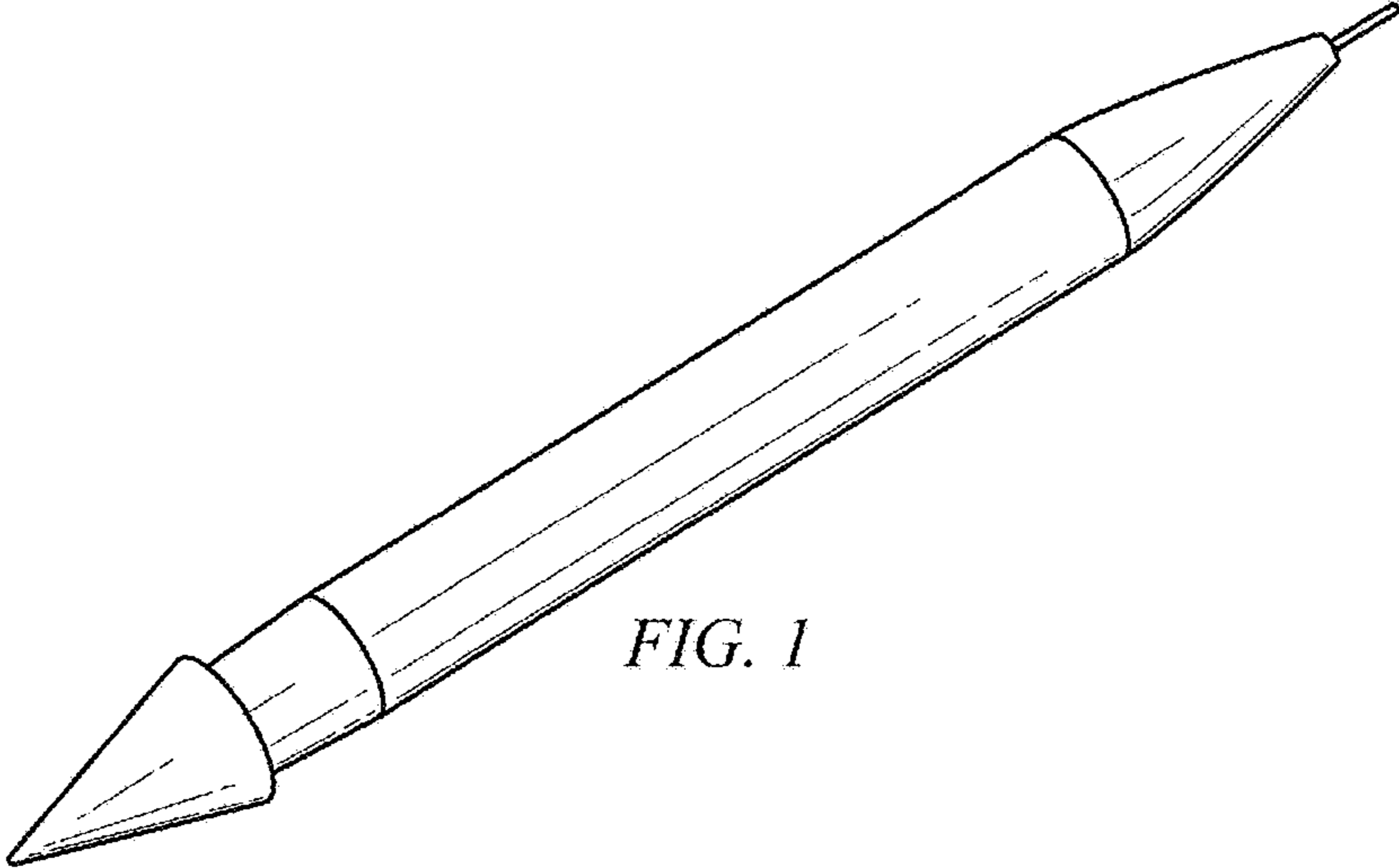


FIG. 1

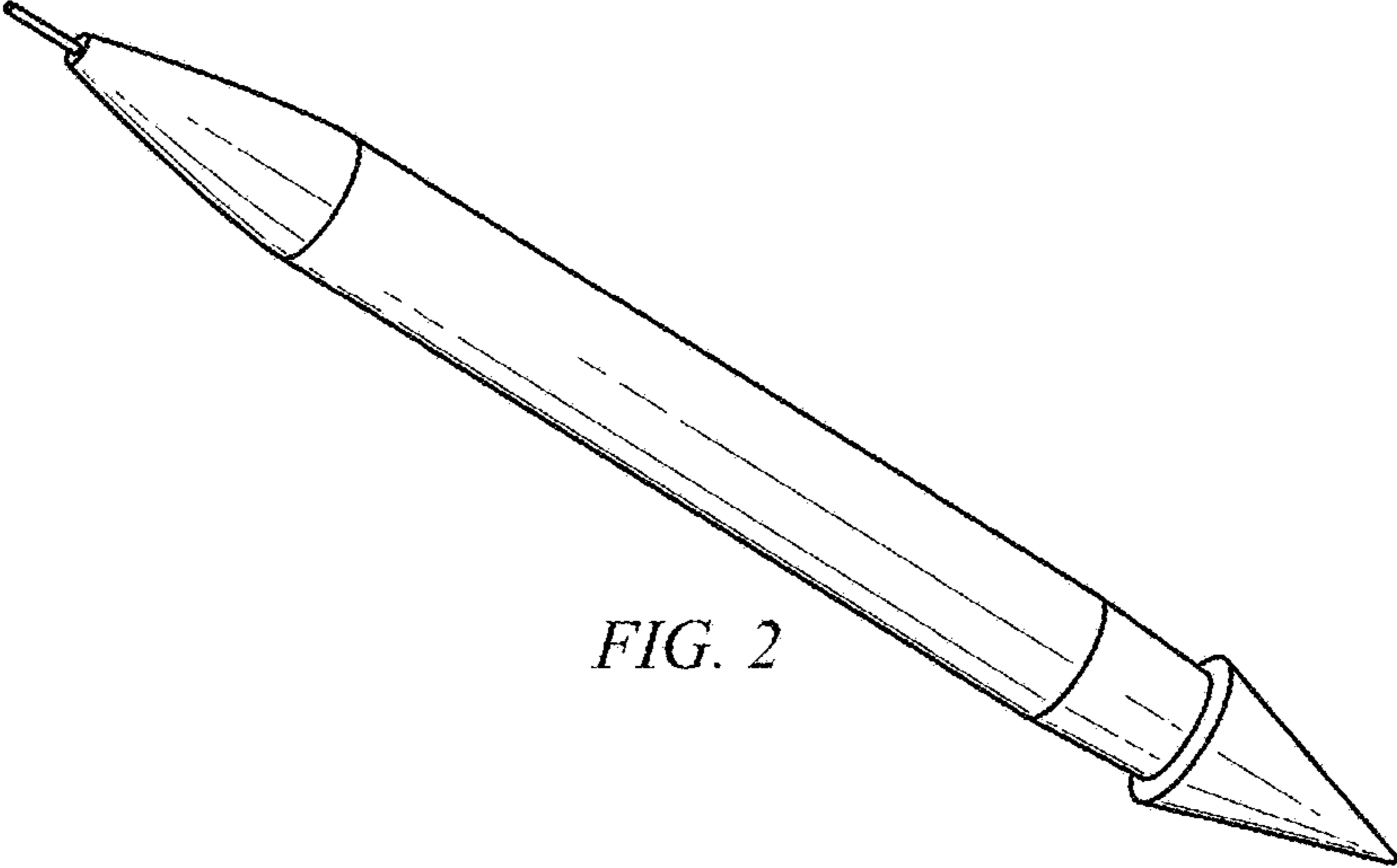


FIG. 2

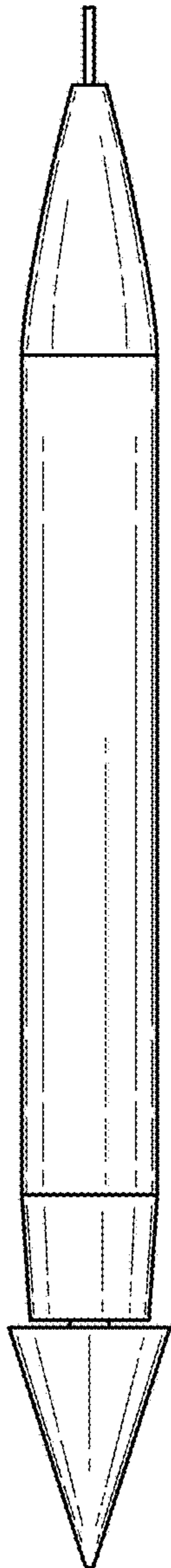


FIG. 3

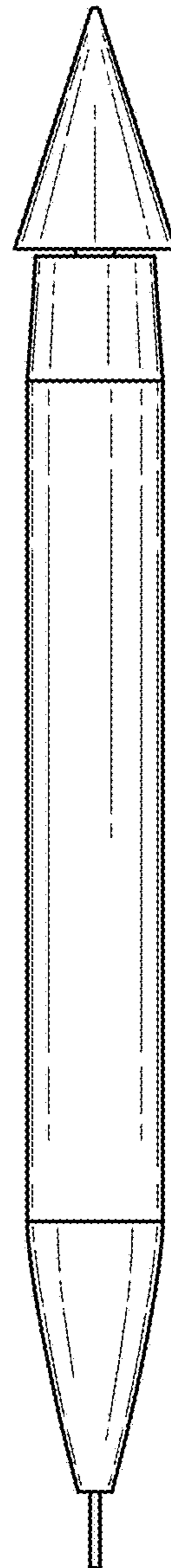


FIG. 4

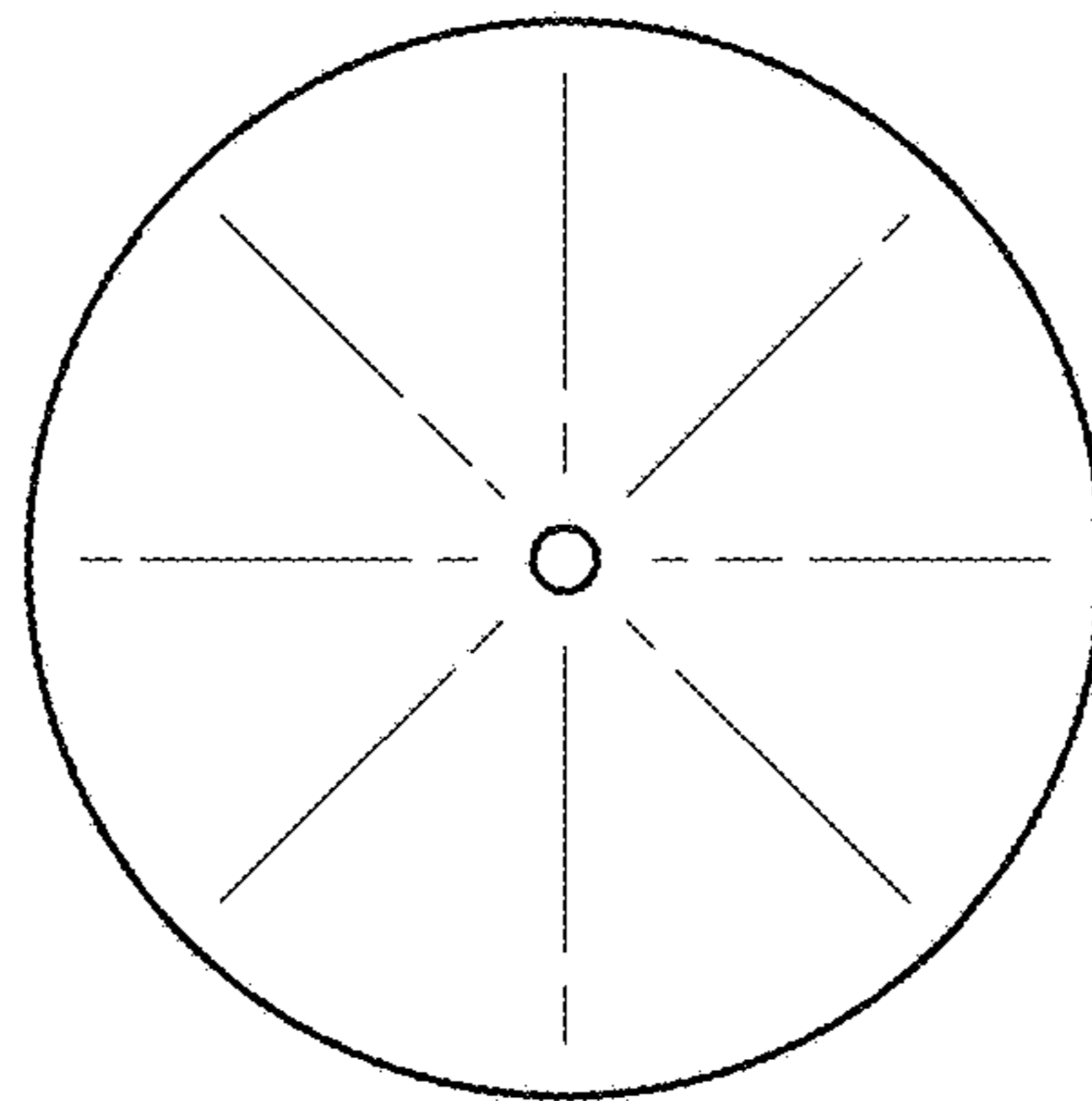


FIG. 5

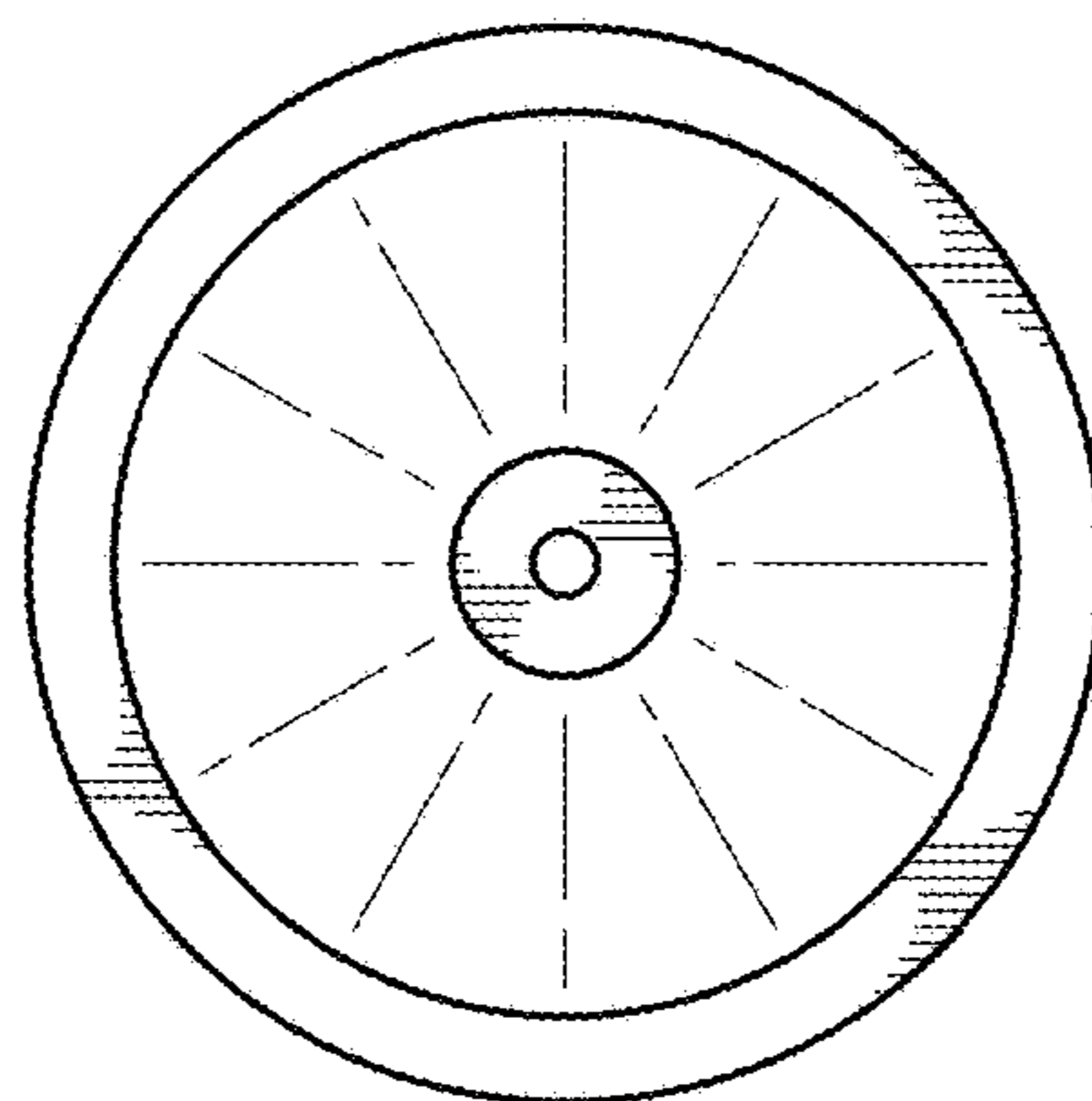


FIG. 6