



US00D867838S

(12) **United States Design Patent**
DeFries

(10) **Patent No.:** **US D867,838 S**

(45) **Date of Patent:** **** Nov. 26, 2019**

- (54) **DOUBLE ENDED HAND TOOL**
- (71) Applicant: **Kellie DeFries**, National City, CA (US)
- (72) Inventor: **Kellie DeFries**, National City, CA (US)
- (**) Term: **15 Years**
- (21) Appl. No.: **29/657,825**
- (22) Filed: **Jul. 25, 2018**

- D551,569 S * 9/2007 Tanaka D9/724
- D589,555 S * 3/2009 Li D19/117
- D666,670 S * 9/2012 Dehne D19/108
- D675,540 S * 2/2013 Montminy D24/114
- D690,363 S * 9/2013 Yamanaka D19/200
- D700,488 S * 3/2014 Rapko D8/51

* cited by examiner

Primary Examiner — Randall H Gholson

(74) *Attorney, Agent, or Firm* — Braxton Perrone, PLLC

Related U.S. Application Data

- (63) Continuation of application No. 14/641,208, filed on Mar. 6, 2015, now Pat. No. 10,308,005.
- (51) **LOC (12) Cl.** **08-05**
- (52) **U.S. Cl.**
USPC **D8/26**; D8/55; D19/108
- (58) **Field of Classification Search**
USPC D8/26, 51, 52, 55, 394; D19/108, 129, D19/199, 117; 81/7; 29/10; 408/181
CPC A44C 17/043; B25B 11/007
See application file for complete search history.

(57) **CLAIM**

The ornamental design for a double ended hand tool, as shown and described.

DESCRIPTION

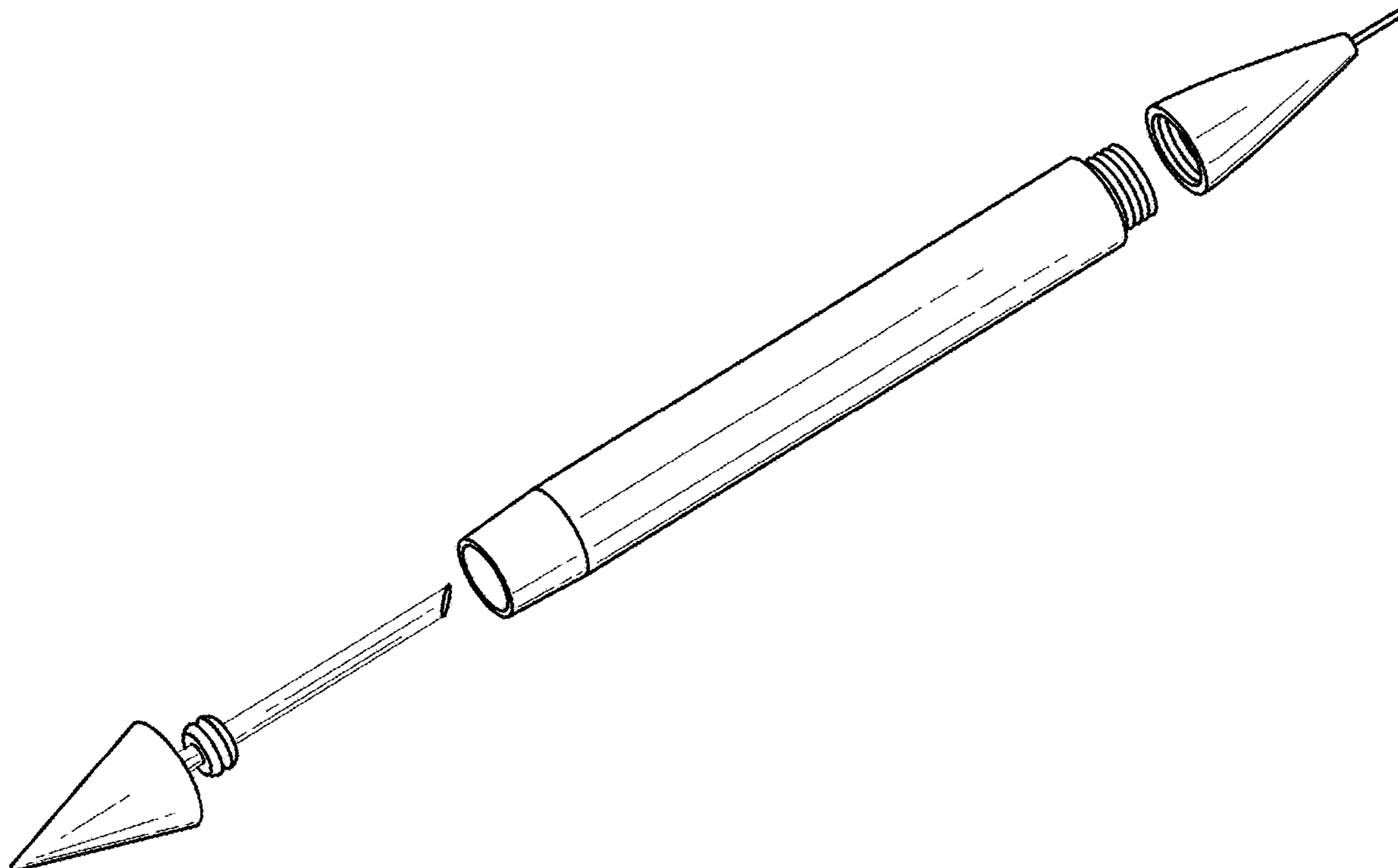
FIG. 1 is a left perspective view of the double ended hand tool;
 FIG. 2 is a right perspective view of the double ended hand tool;
 FIG. 3 is a top plan view of the double ended hand tool;
 FIG. 4 is a bottom plan view of the double ended hand tool;
 FIG. 5 is a front view of the double ended hand tool;
 FIG. 6 is a rear view of the double ended hand tool;
 FIG. 7 is an exploded left perspective view of the double ended hand tool; and,
 FIG. 8 is an exploded right perspective view of the double ended hand tool.

(56) **References Cited**

U.S. PATENT DOCUMENTS

- 1,469,500 A * 10/1923 De Long B23B 3/00
82/157
- D138,875 S * 9/1944 Weiss D8/98
- 2,368,324 A * 1/1945 Rayne A61C 1/14
279/51
- D304,733 S * 11/1989 Lehman D19/108
- D373,634 S * 9/1996 Brown D24/133

1 Claim, 5 Drawing Sheets



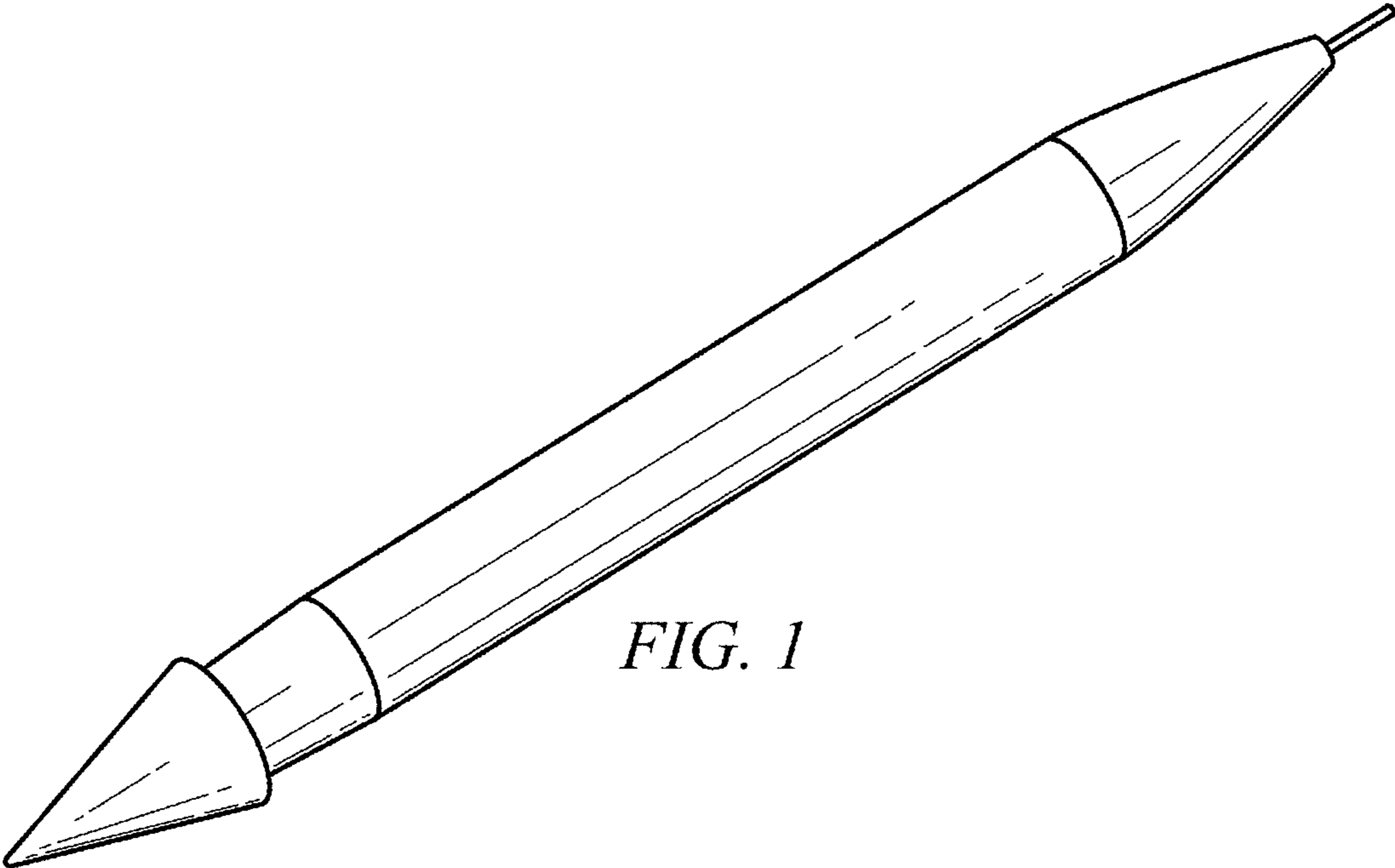


FIG. 1

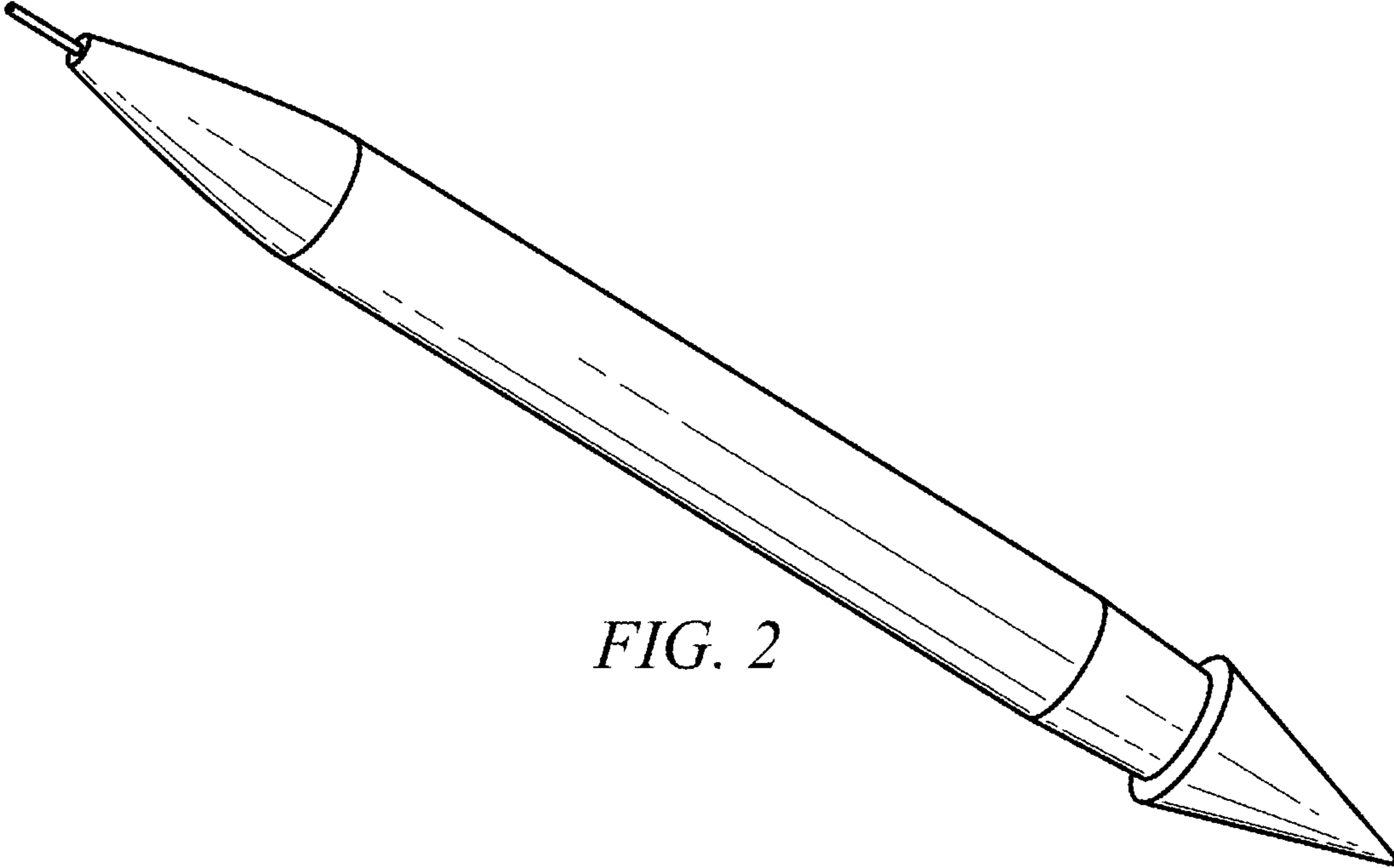


FIG. 2

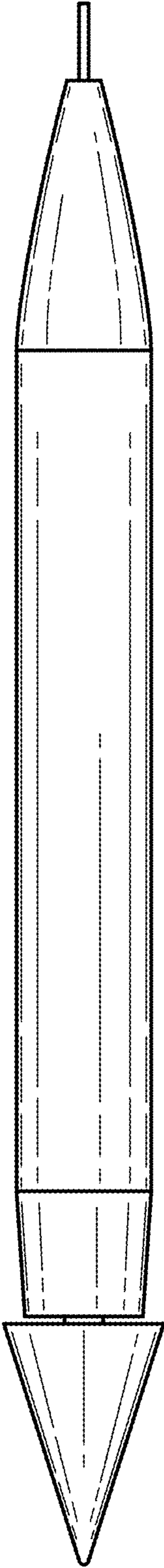


FIG. 3

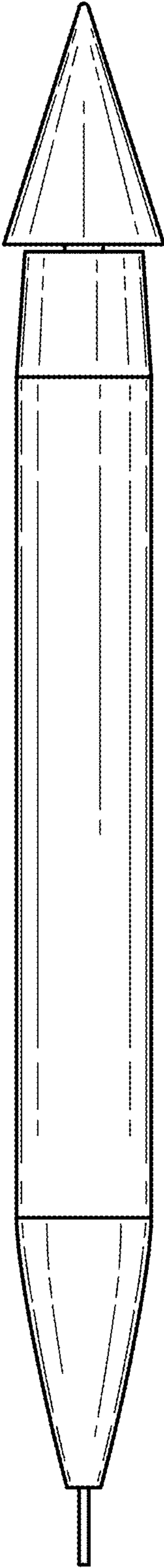


FIG. 4

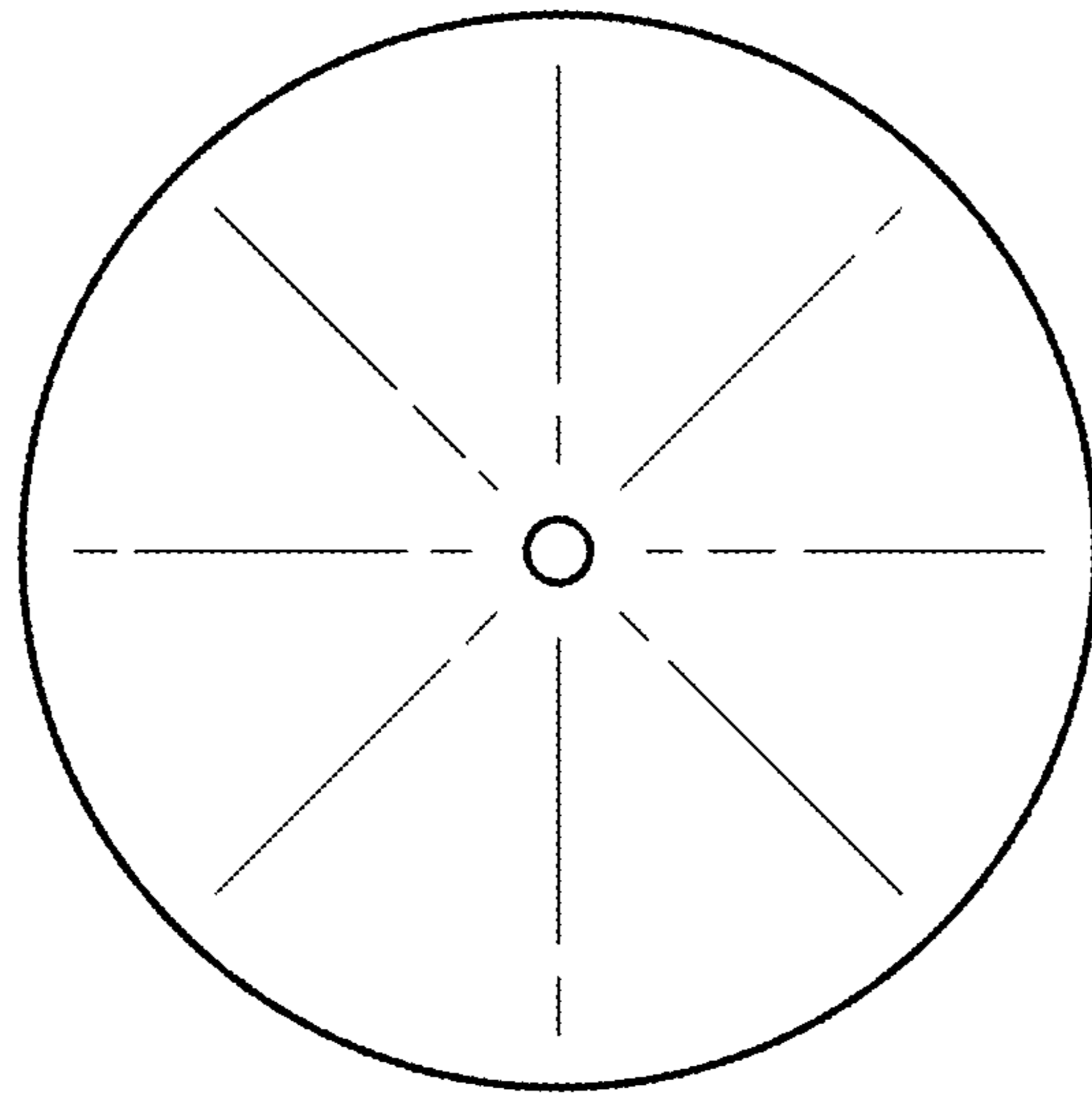


FIG. 5

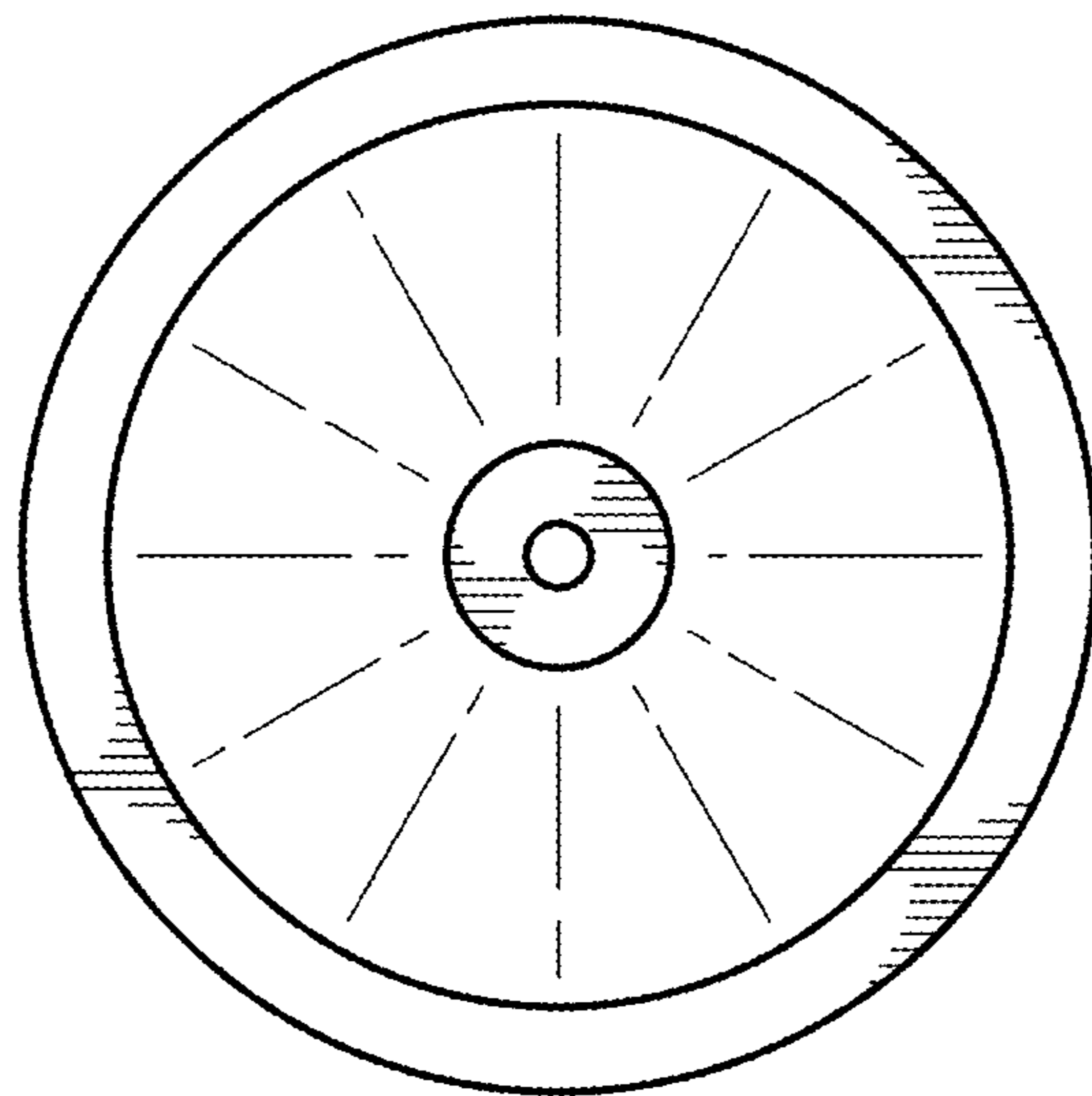
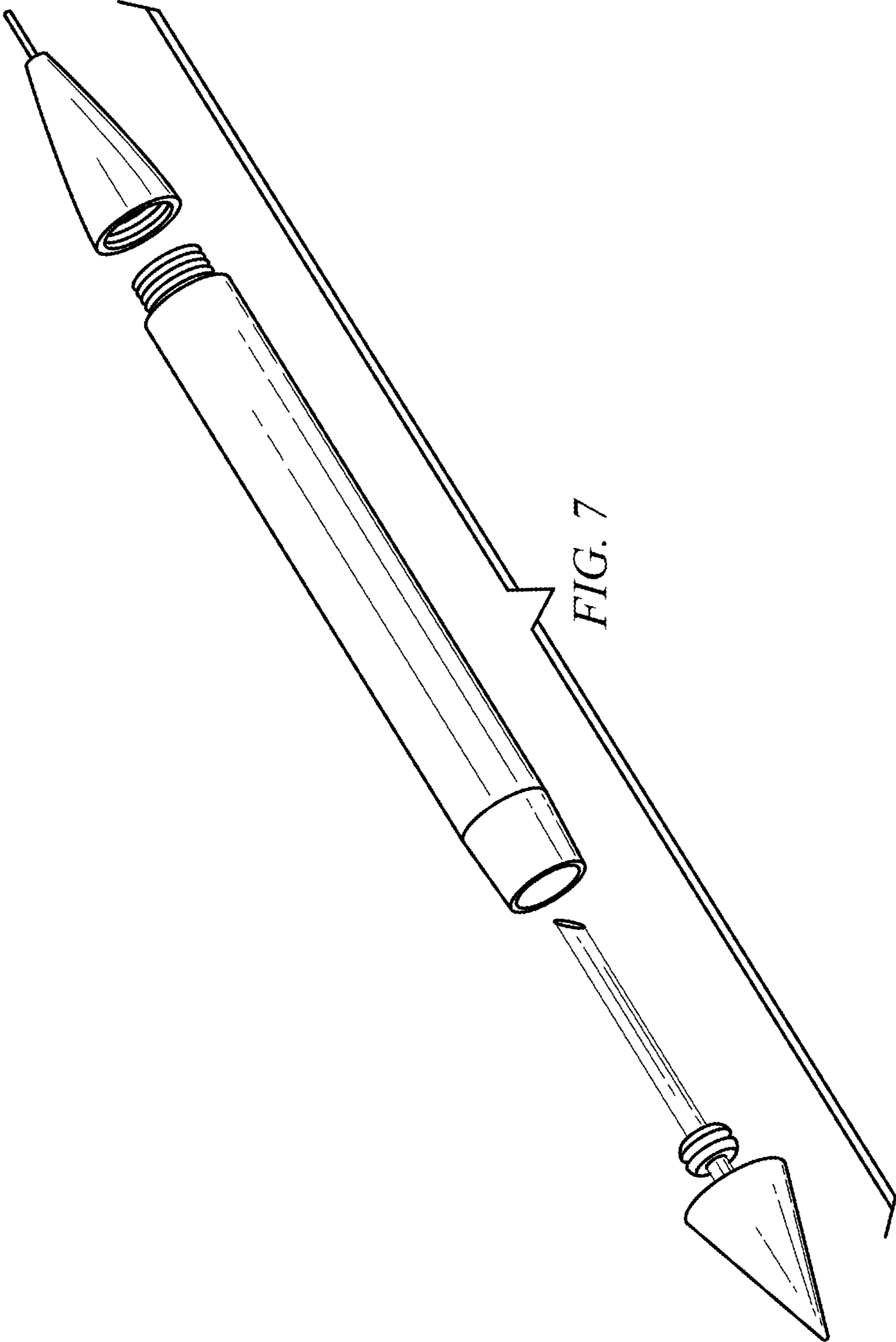


FIG. 6



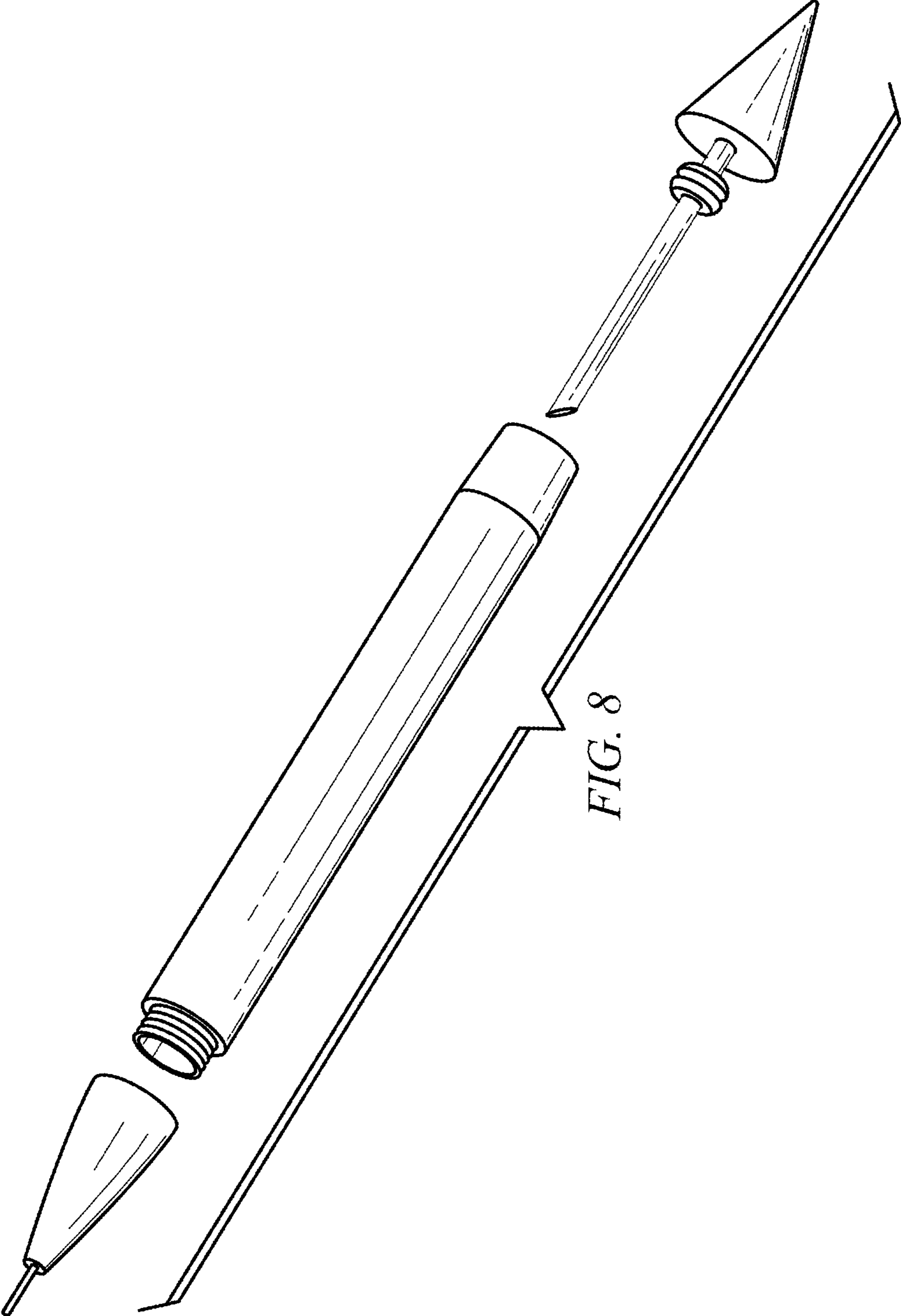


FIG. 8