



US00D867837S

(12) **United States Design Patent** (10) **Patent No.:** **US D867,837 S**  
**Klamm** (45) **Date of Patent:** **\*\* Nov. 26, 2019**

- (54) **HAND GRIP WRENCH**
- (71) Applicant: **Thomas Klamm**, Racine, WI (US)
- (72) Inventor: **Thomas Klamm**, Racine, WI (US)
- (\*\*) Term: **15 Years**
- (21) Appl. No.: **29/670,009**
- (22) Filed: **Nov. 13, 2018**

- D675,893 S 2/2013 Chen
- D689,752 S \* 9/2013 Alho ..... D8/25
- D718,586 S 12/2014 Jiang
- D771,453 S 11/2016 Liu
- D777,001 S 1/2017 Juang et al.

\* cited by examiner

*Primary Examiner* — Randall H Gholson  
(74) *Attorney, Agent, or Firm* — Quarles & Brady LLP

(57) **CLAIM**

The ornamental design for a hand grip wrench, as shown and described.

**Related U.S. Application Data**

- (62) Division of application No. 29/604,612, filed on May 18, 2017, now Pat. No. Des. 837,005.
- (51) **LOC (12) Cl.** ..... **08-05**
- (52) **U.S. Cl.**  
USPC ..... **D8/25**
- (58) **Field of Classification Search**  
USPC ..... 81/58, 58.1, 59.1, 60, 61, 62, 63, 63.1,  
81/63.2, 121.1, 125, 177.1, 177.2, 177.85,  
81/180.1, 489; D8/25  
CPC ..... B25B 13/00; B25B 13/48; B25B 23/02;  
B25B 23/10; B25G 1/10; B25G 1/00  
See application file for complete search history.

**DESCRIPTION**

FIG. 1 is a top, right, and front perspective view of an ornamental design for a hand grip wrench;  
 FIG. 2 is a top plan view of the hand grip wrench of FIG. 1;  
 FIG. 3 is a front elevational view of the hand grip wrench of FIG. 1;  
 FIG. 4 is a rear elevational view of the hand grip wrench of FIG. 1;  
 FIG. 5 is a right side elevational view of the hand grip wrench of FIG. 1;  
 FIG. 6 is a left side elevational view of the hand grip wrench of FIG. 1; and,  
 FIG. 7 is a bottom plan view of the hand grip wrench of FIG. 1.

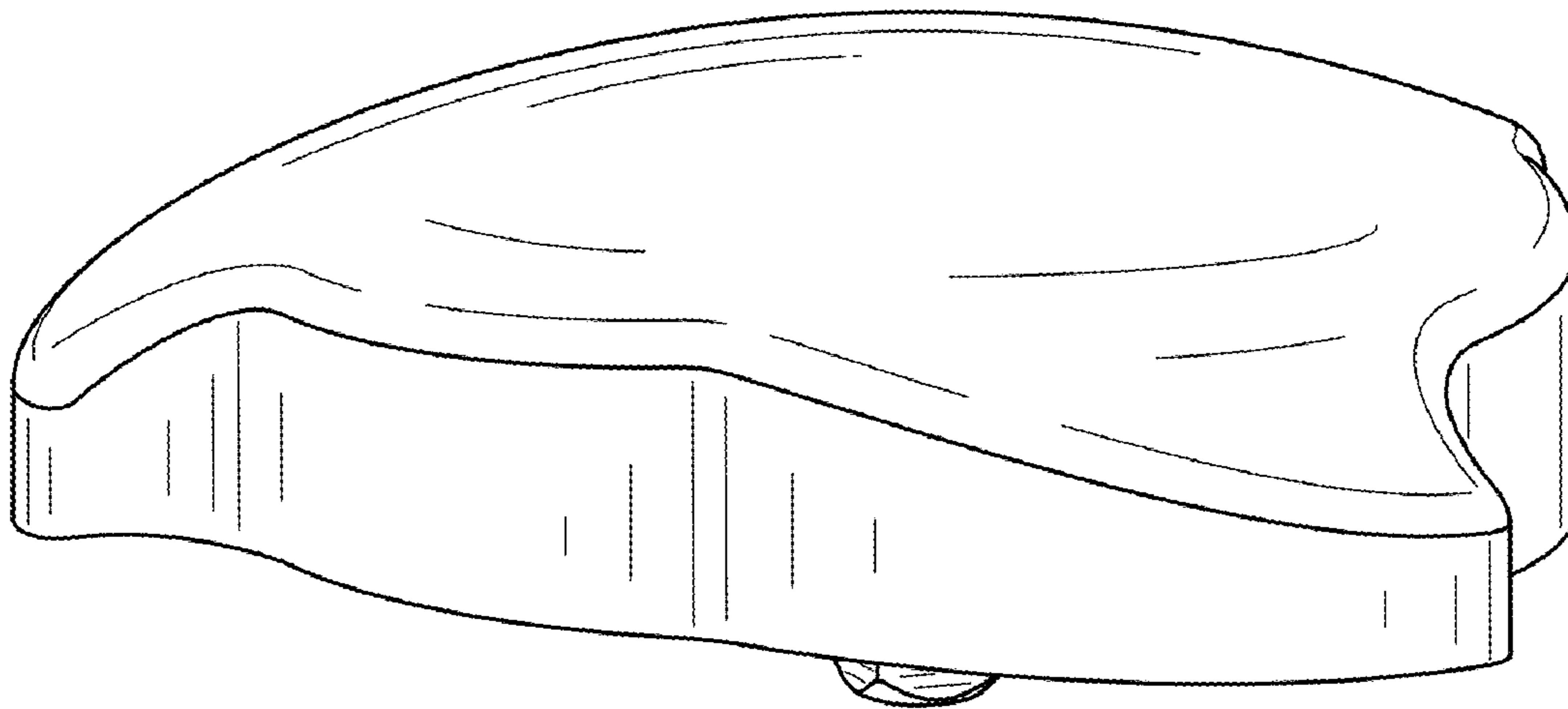
The dash-dash broken lines are for the purpose of illustrating unclaimed subject matter only and form no part of the claimed design.

(56) **References Cited**

**U.S. PATENT DOCUMENTS**

- D371,298 S 7/1996 Reddy et al.
- D556,007 S \* 11/2007 Hung ..... D8/107
- D657,214 S 4/2012 Chen

**1 Claim, 4 Drawing Sheets**



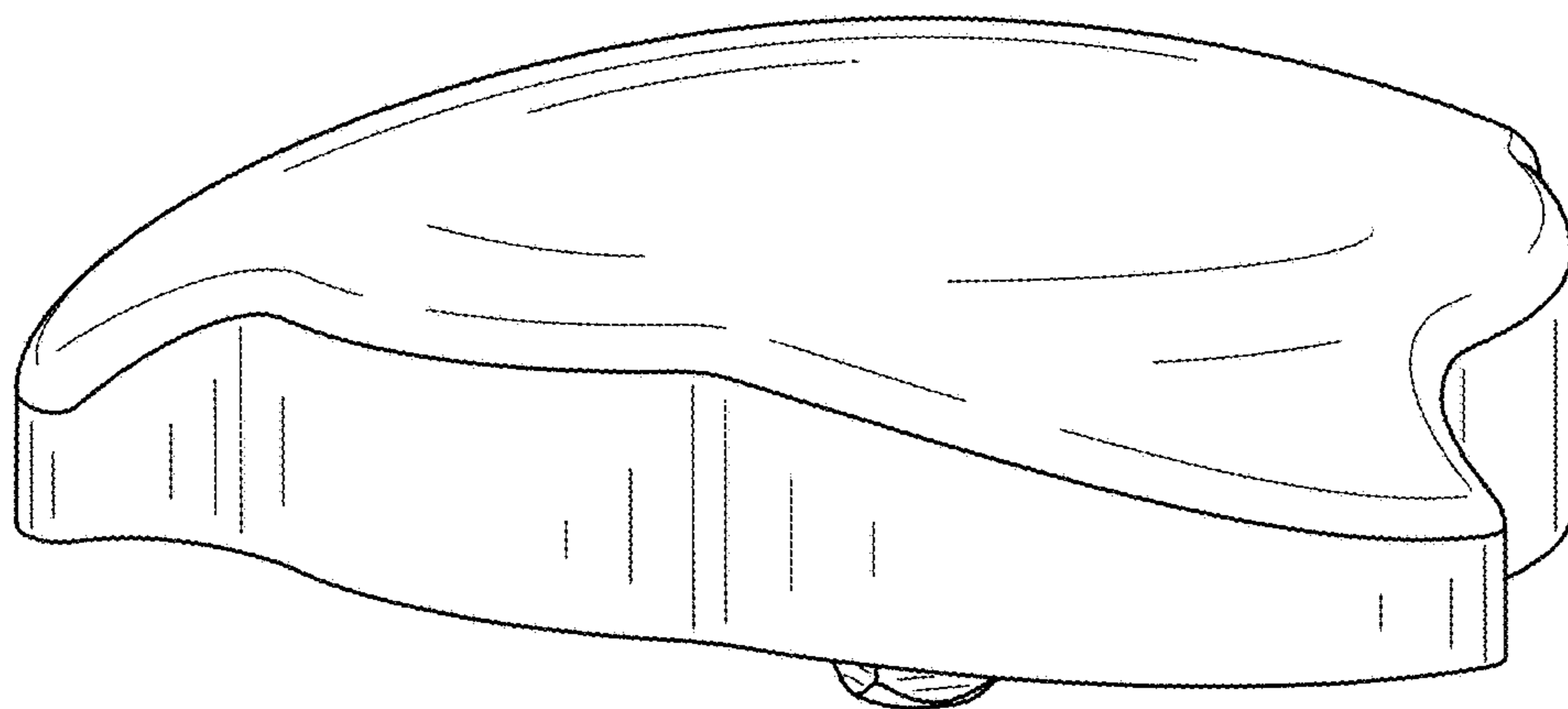


FIG. 1

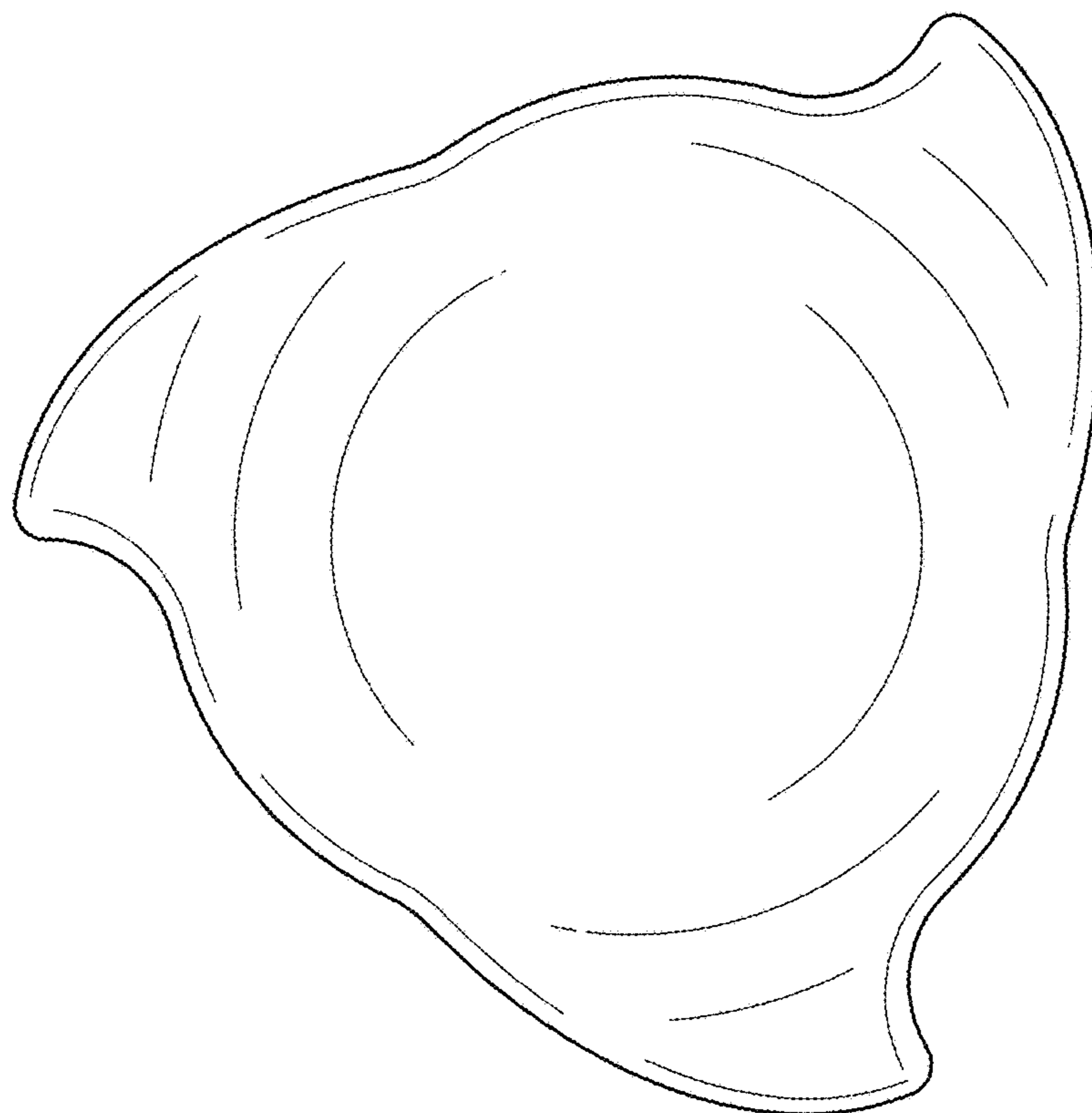


FIG. 2

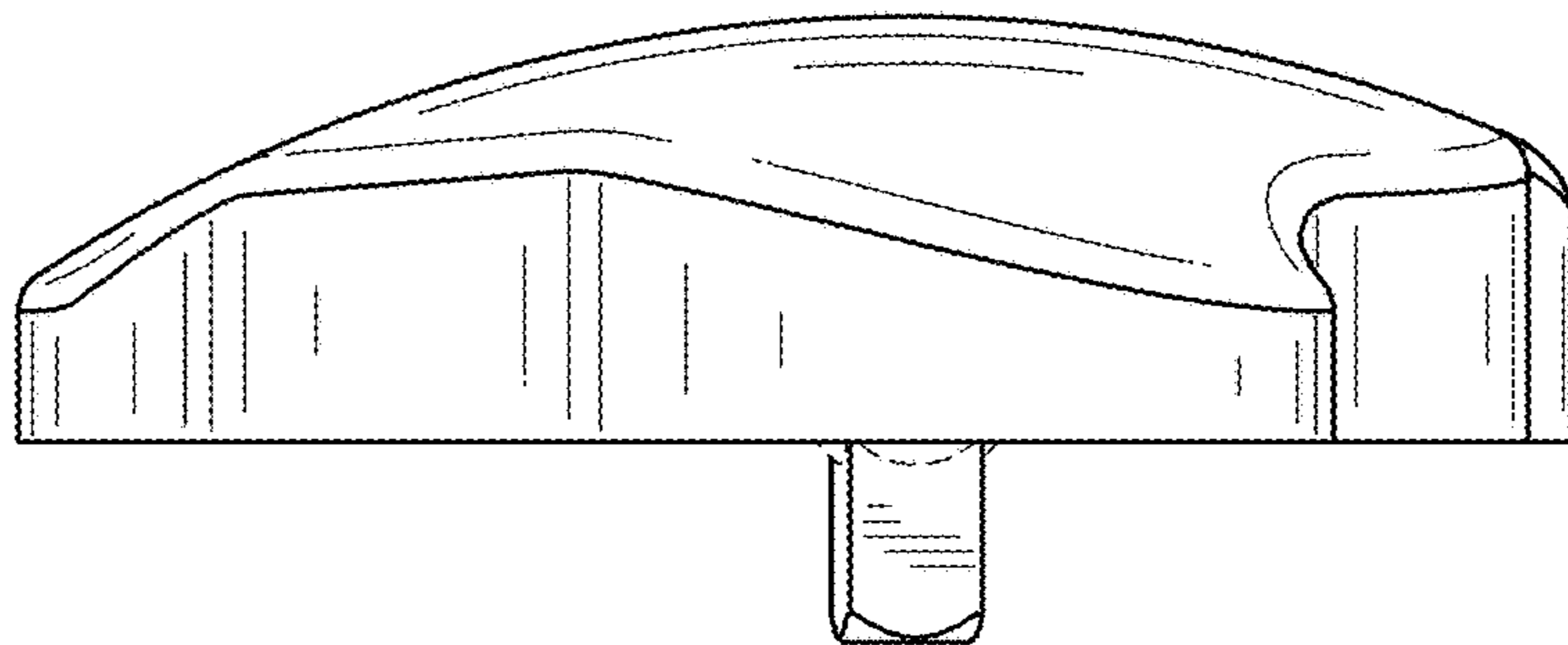


FIG. 3

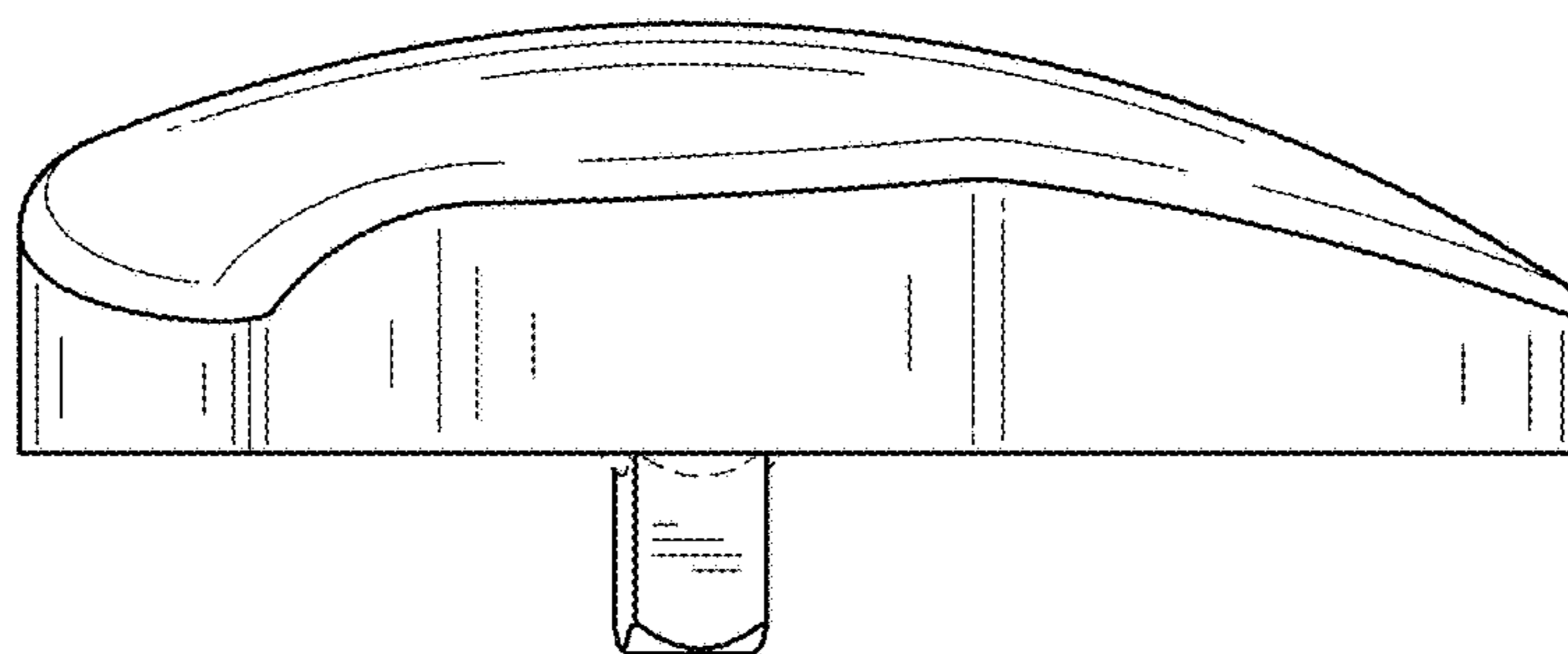


FIG. 4

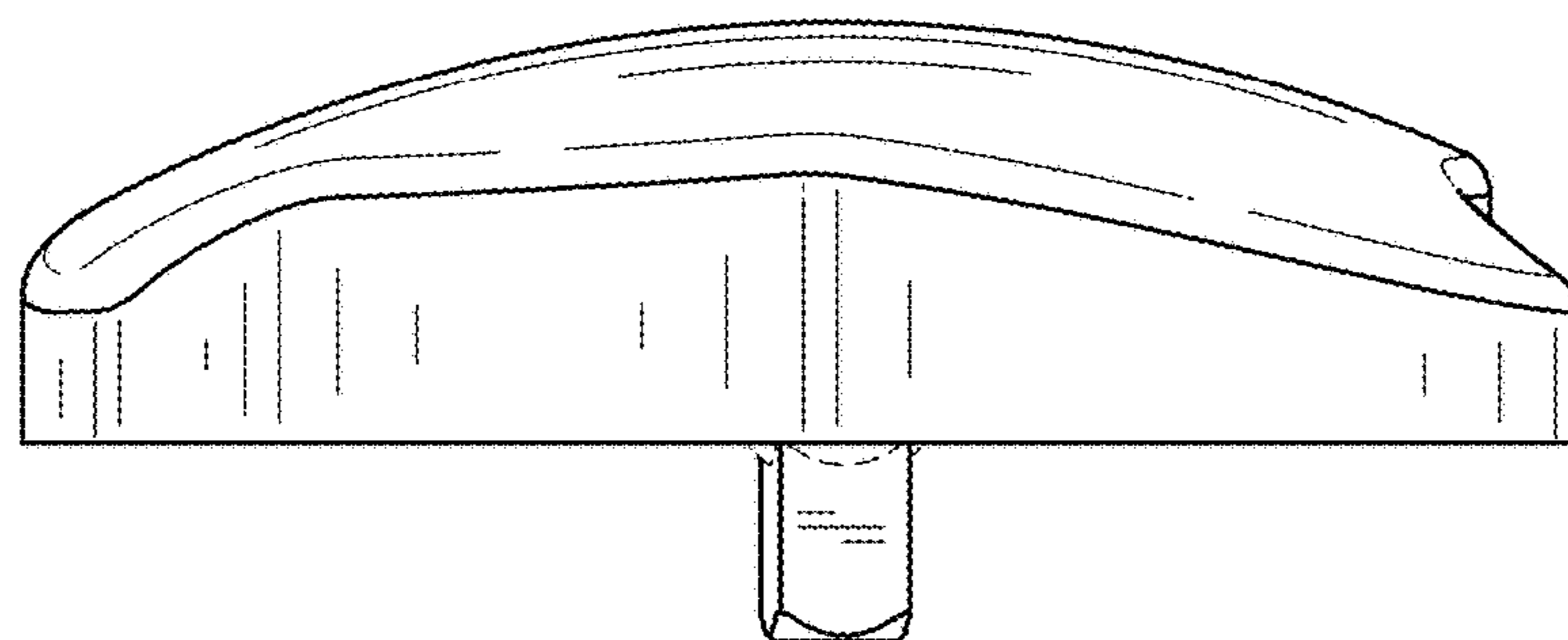


FIG. 5

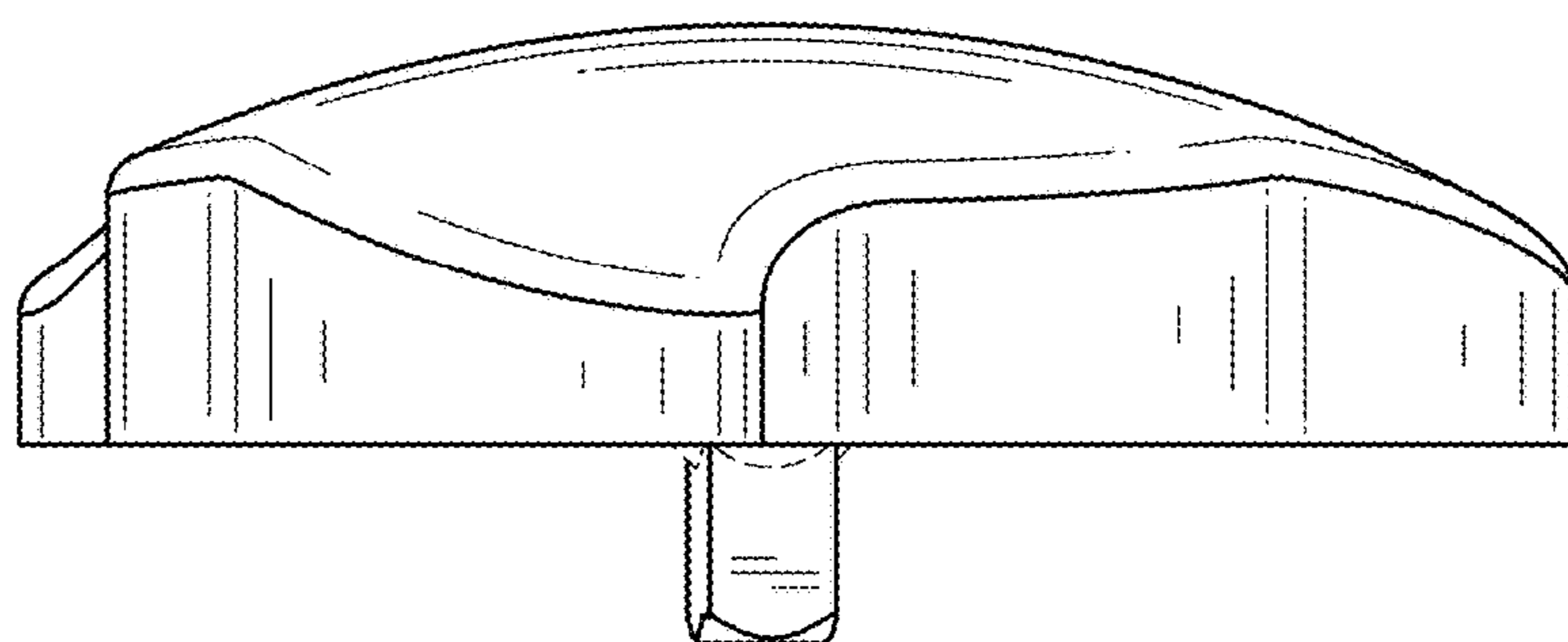


FIG. 6

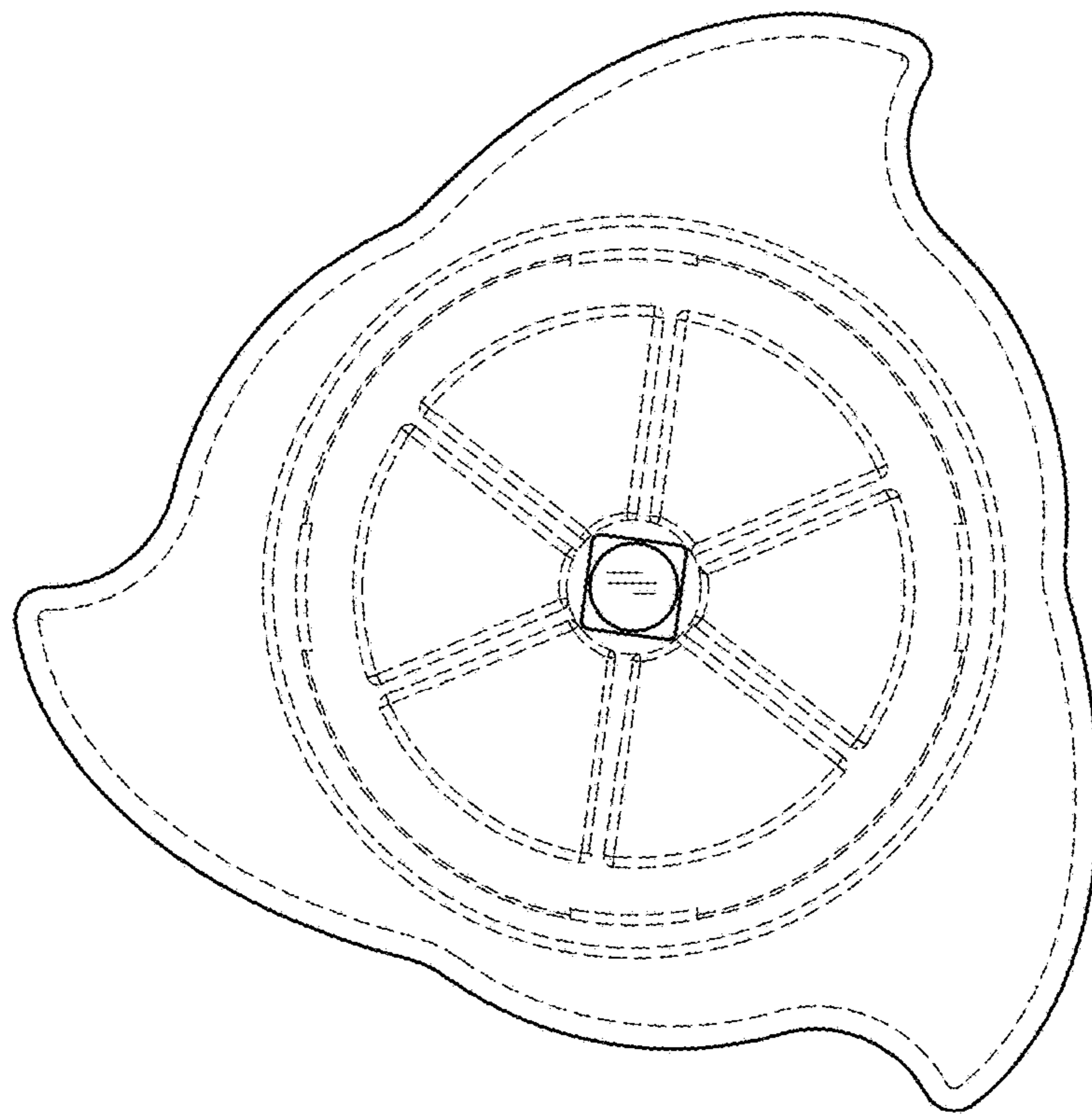


FIG. 7