



US00D867836S

(12) **United States Design Patent** (10) **Patent No.:** **US D867,836 S**
Juarez (45) **Date of Patent:** **** Nov. 26, 2019**

(54) **GARDENING TOOL**
(71) Applicant: **Rafael Juarez**, Albuquerque, NM (US)
(72) Inventor: **Rafael Juarez**, Albuquerque, NM (US)
(**) Term: **15 Years**
(21) Appl. No.: **29/632,852**
(22) Filed: **Jan. 10, 2018**
(51) **LOC (12) Cl.** **08-01**
(52) **U.S. Cl.**
USPC **D8/11**
(58) **Field of Classification Search**
USPC D8/1, 6, 11; D21/532; D32/46, 49
CPC A01B 1/06; A01B 1/08; A01B 1/16; A01B
1/10; A01B 1/12
See application file for complete search history.

(56) **References Cited**

U.S. PATENT DOCUMENTS

537,204	A *	4/1895	Holly	A01B 1/08 172/381
561,597	A *	6/1896	Lippe	A01B 1/06 172/372
1,083,054	A	12/1913	Brown		
1,931,349	A *	10/1933	Habig	A01G 3/06 172/18
4,155,582	A	5/1979	Reisner		
D303,027	S *	8/1989	Gray	D32/49
D305,468	S *	1/1990	Yonkers	D32/46
D343,555	S *	1/1994	Bonner, III	D8/11
D368,345	S *	3/1996	Fisher	D32/49
5,740,577	A	4/1998	Wade		
D395,104	S	6/1998	Huang		
D431,101	S *	9/2000	Gracy	D32/49
6,237,225	B1	5/2001	Tarrant		
6,751,869	B2	6/2004	Paggeot		
D546,146	S *	7/2007	Hardy	D8/13
7,293,361	B1	11/2007	Miller		
7,451,524	B2	11/2008	Sailer		
D615,262	S	5/2010	Bunnag et al.		
7,971,914	B1	7/2011	Pladson		

8,381,358	B1	2/2013	Frey		
D721,213	S *	1/2015	Hamilton	D32/46
D799,287	S *	10/2017	Guthrie	D8/11
2002/0112865	A1 *	8/2002	Murtagh	A01B 1/08 172/371
2004/0075286	A1 *	4/2004	Skowron	A01B 1/00 294/58
2005/0034276	A1	2/2005	Badiali		
2007/0284123	A1	12/2007	Lee		
2009/0133889	A1	5/2009	Keller et al.		
2009/0178520	A1	7/2009	Engelfried et al.		

(Continued)

OTHER PUBLICATIONS

Sharp edge metal floor scraper. Product search and listing [online]. Google [retrieved on Apr. 18, 2017]. Retrieved from the Internet: <URL: https://www.google.com/search?q=sharp+edge+metal+floor+scraper&espv=2&source=Inms&tbm=isch&sa=X&ved=0ahUKEwi78eaq1K7TAhXqqlQKHRmPCDAQ_AUIBygC&biw=1242&bih=602>.

Primary Examiner — Sandra S Snapp
Assistant Examiner — Ieisha N Price
(74) *Attorney, Agent, or Firm* — Cramer Patent & Design, PLLC; Aaron R. Cramer

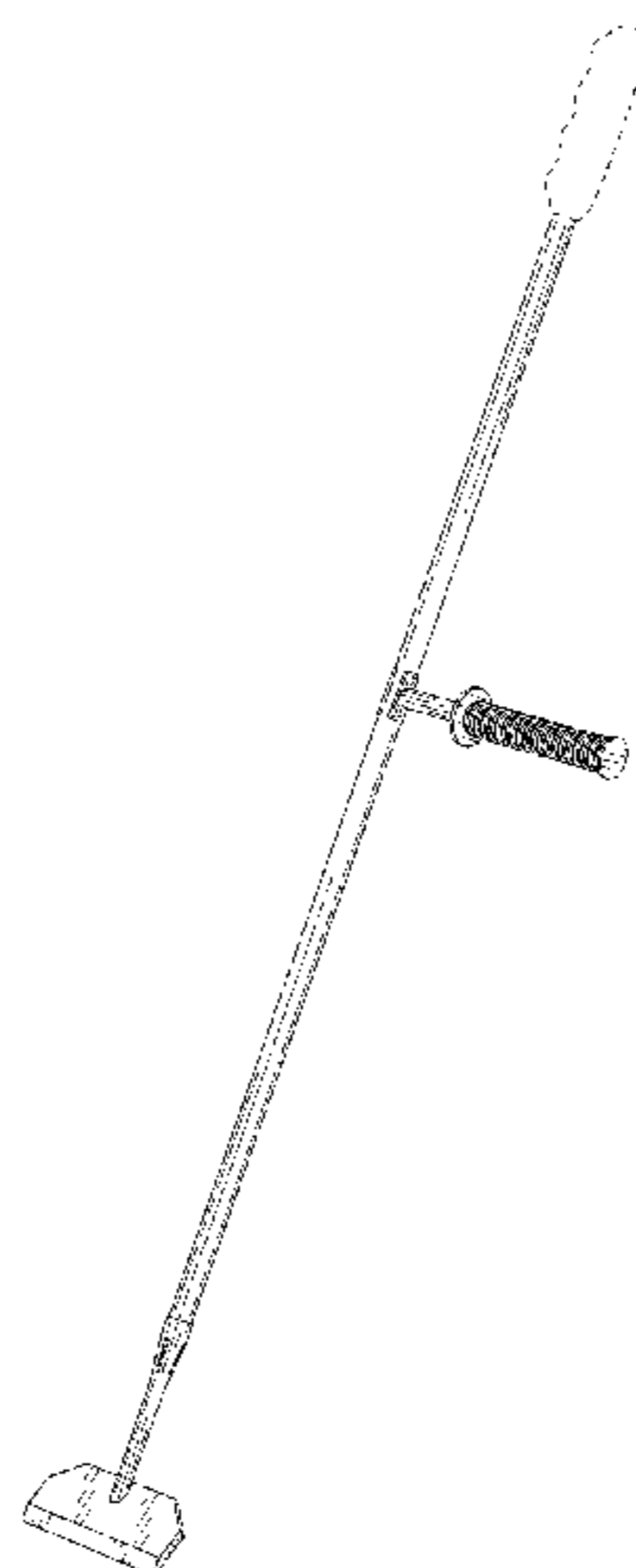
(57) **CLAIM**

The ornamental design for a gardening tool, as shown and described.

DESCRIPTION

FIG. 1 is a perspective top front left view of the gardening tool, showing my new design;
FIG. 2 is a perspective top rear right view thereof;
FIG. 3 is a front elevation view thereof;
FIG. 4 is a rear elevation view thereof;
FIG. 5 is a right elevation view thereof;
FIG. 6 is a left elevation view thereof;
FIG. 7 is a top plan view thereof; and,
FIG. 8 is a bottom plan view thereof.

1 Claim, 7 Drawing Sheets



(56)

References Cited

U.S. PATENT DOCUMENTS

2009/0194300	A1 *	8/2009	Oberg	A01B 1/16 172/1
2012/0067602	A1 *	3/2012	Kindred	A01B 1/08 172/375

* cited by examiner

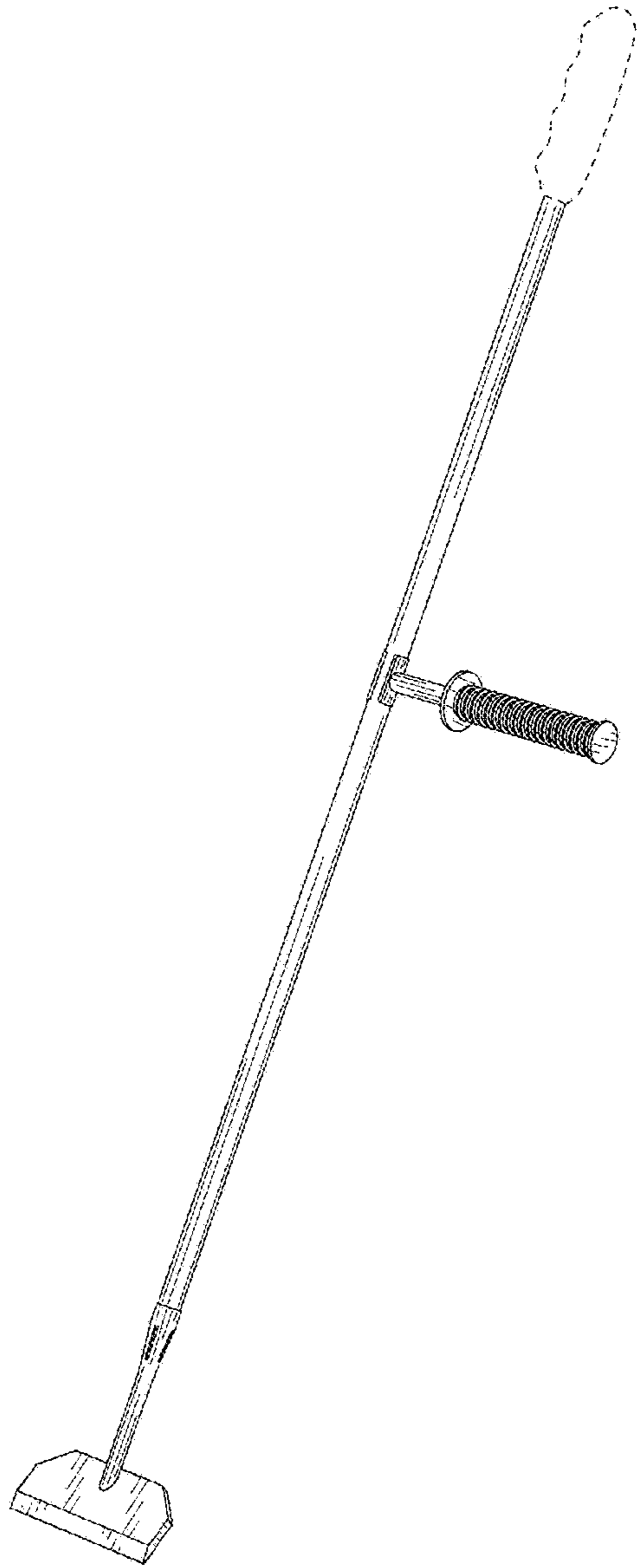


FIG. 1

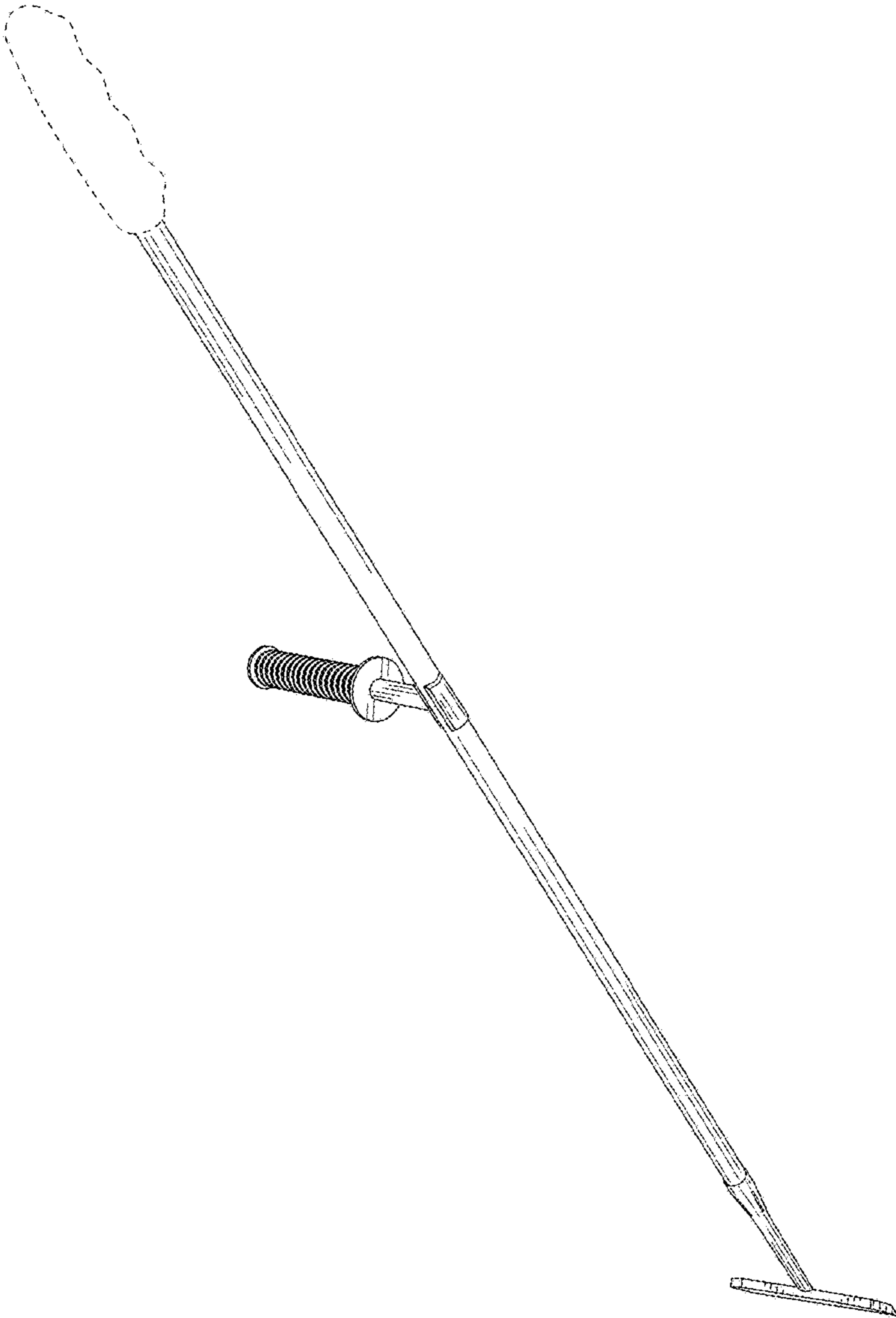


FIG. 2

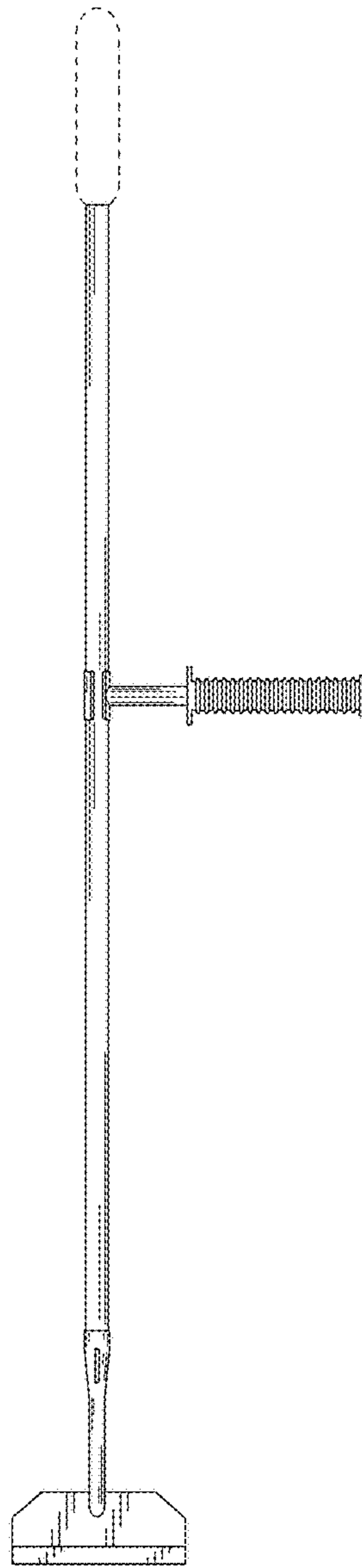


FIG. 3

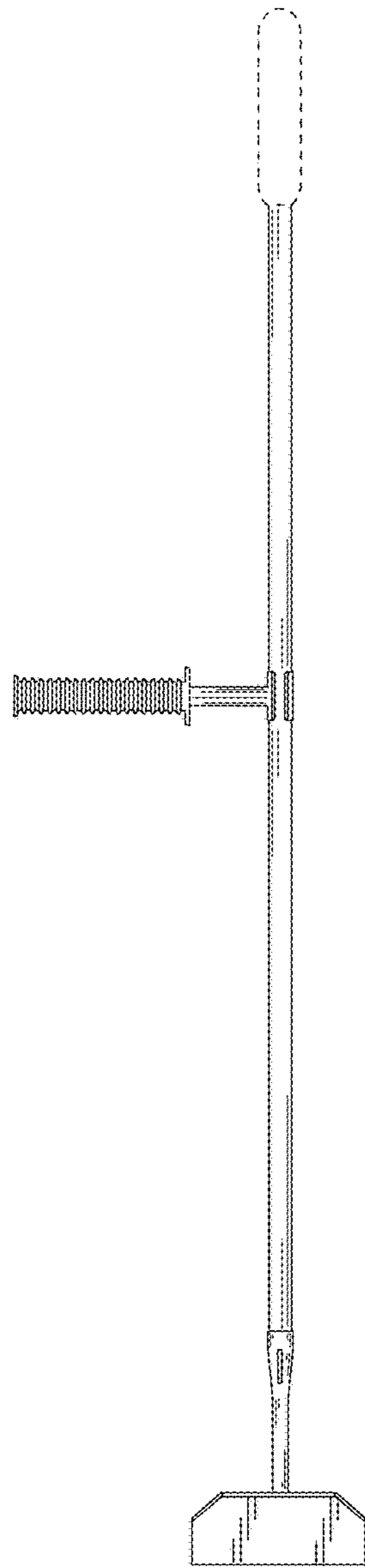


FIG. 4

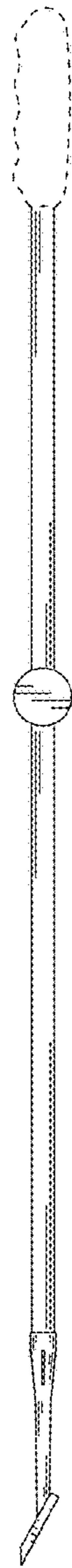


FIG. 5

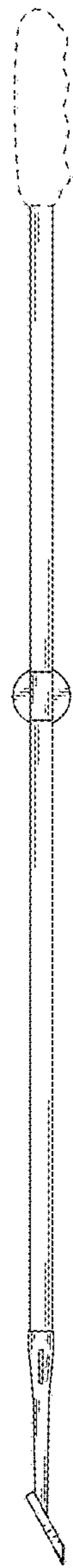


FIG. 6

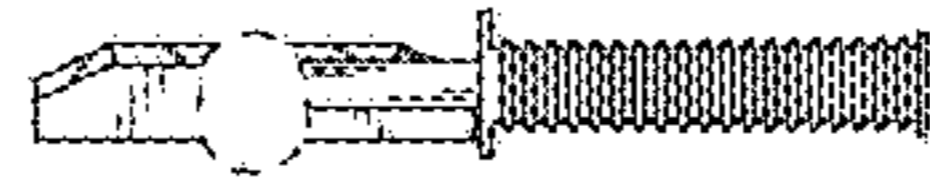


FIG. 7



FIG. 8