



US00D867831S

(12) **United States Design Patent**
Bauer

(10) **Patent No.:** **US D867,831 S**

(45) **Date of Patent:** **** Nov. 26, 2019**

(54) **BOTTLE CARRIER**

(71) Applicant: **Glenn D. Bauer**, Orchard Lake, MI
(US)

(72) Inventor: **Glenn D. Bauer**, Orchard Lake, MI
(US)

(**) Term: **15 Years**

(21) Appl. No.: **29/640,109**

(22) Filed: **Mar. 12, 2018**

(51) **LOC (12) Cl.** **07-06**

(52) **U.S. Cl.**
USPC **D7/706**

(58) **Field of Classification Search**
USPC D7/701-708; D3/307-313; D9/751, 753
CPC A45C 11/20; B65D 1/243; B65D 71/003;
B65D 71/00; A47G 23/025; A47G 23/00;
A47G 23/02

See application file for complete search history.

(56) **References Cited**

U.S. PATENT DOCUMENTS

2,821,327 A 1/1958 Glazer
D183,690 S * 10/1958 Graham D3/309

3,131,829 A 5/1964 Masser
3,317,081 A 5/1967 Cornelius
D251,412 S * 3/1979 Weber D7/706
4,204,596 A 5/1980 Davis
4,372,598 A 2/1983 Quelch
D280,773 S 9/1985 Addy, Jr. et al.
D378,249 S 3/1997 Apps et al.
D405,006 S 2/1999 Spencer
D544,209 S 6/2007 Sullivan
D600,447 S 9/2009 Sullivan
D601,794 S 10/2009 Jarvio
2006/0169602 A1 8/2006 Woog

* cited by examiner

Primary Examiner — Terry A Wallace

(74) *Attorney, Agent, or Firm* — Carrier Blackman &
Associates, P.C.; Joseph P. Carrier; William D. Blackman

(57) **CLAIM**

The ornamental design for a bottle carrier, as shown.

DESCRIPTION

FIG. 1 is a perspective view of my new, original, and ornamental design of a bottle carrier;
FIG. 2 is a right and left side view thereof;
FIG. 3 is a front and rear view thereof;
FIG. 4 is a top view thereof; and,
FIG. 5 is a bottom view thereof.

1 Claim, 5 Drawing Sheets

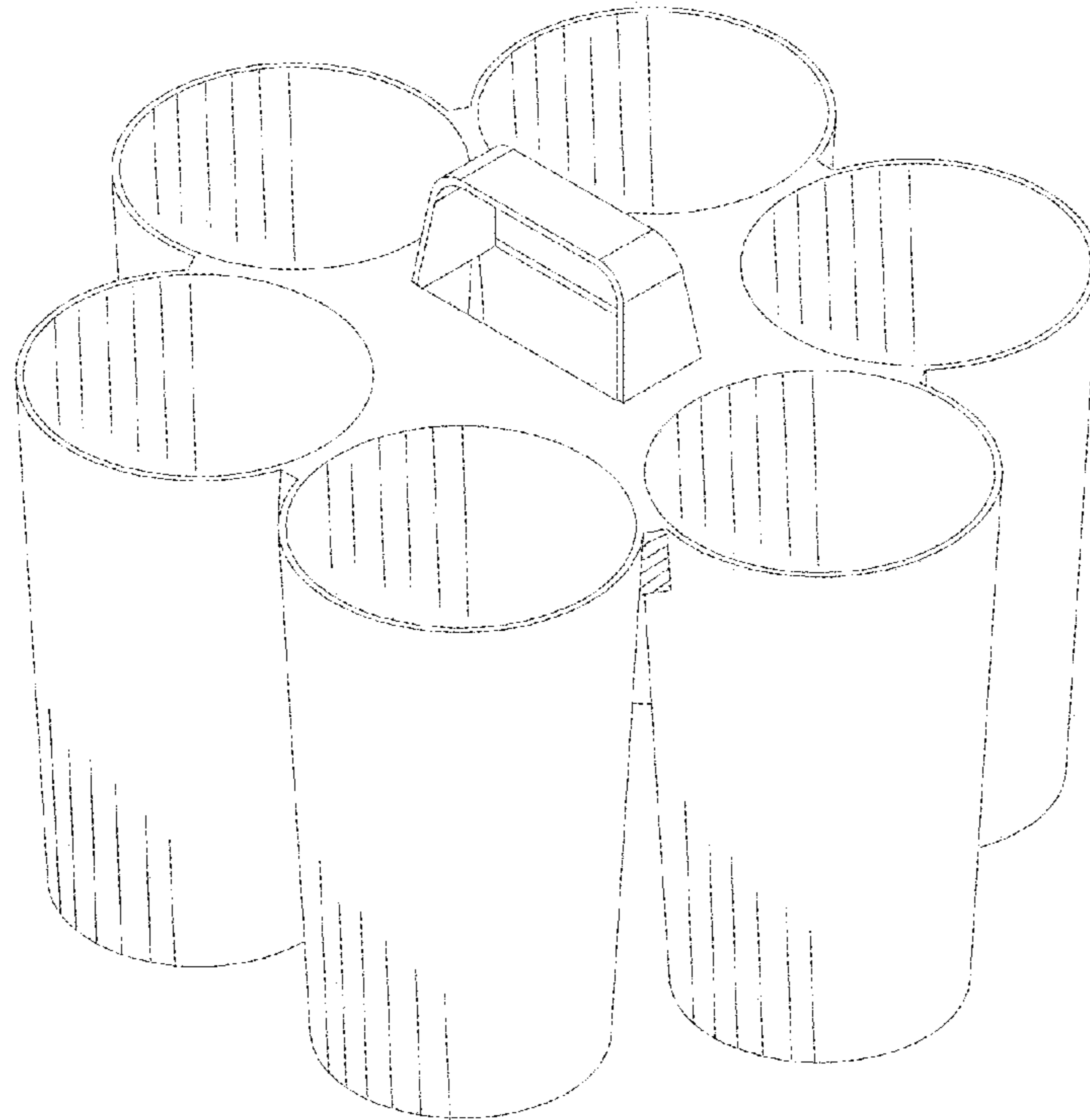


FIG. 1

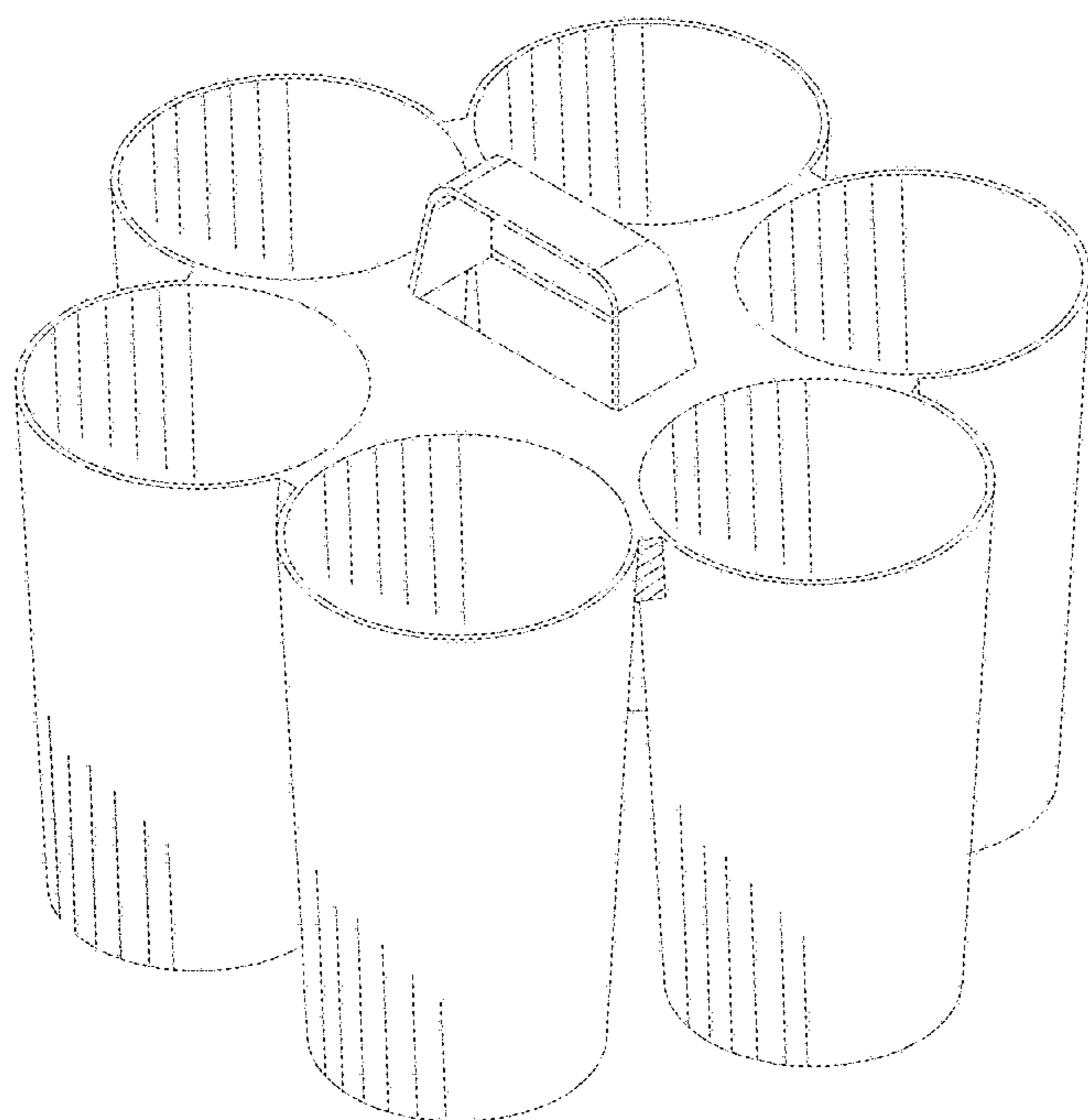


FIG.2

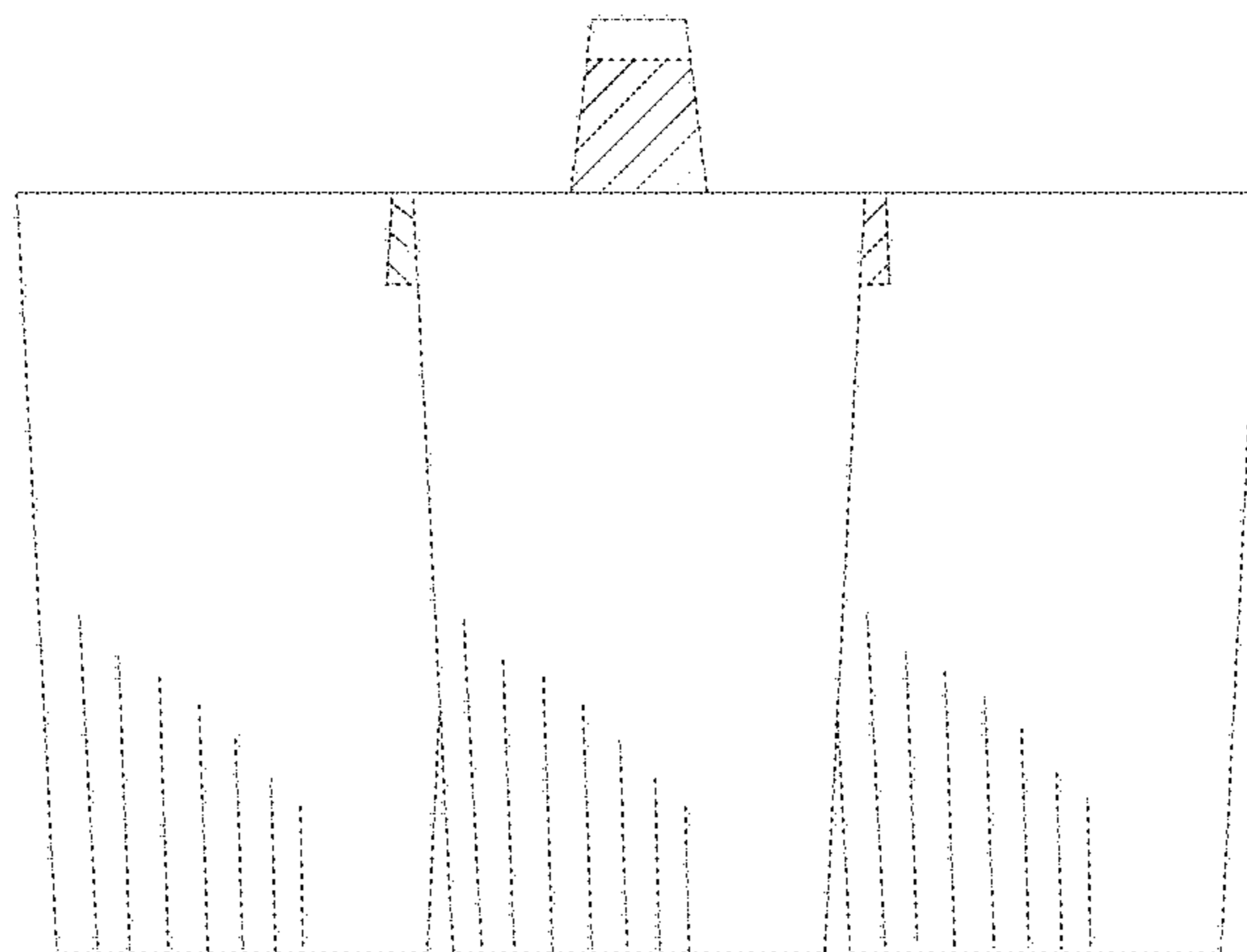


FIG.3

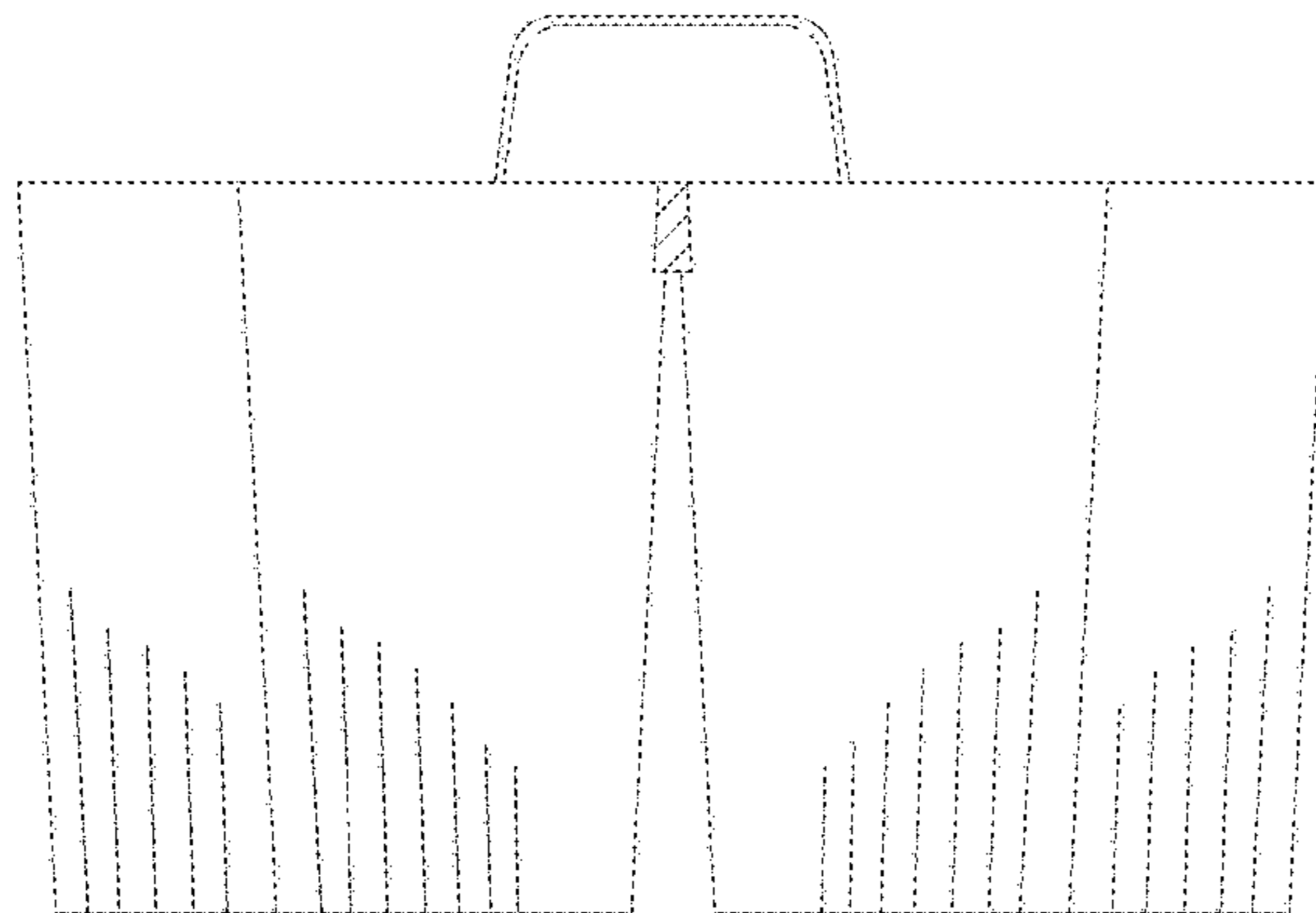


FIG.4

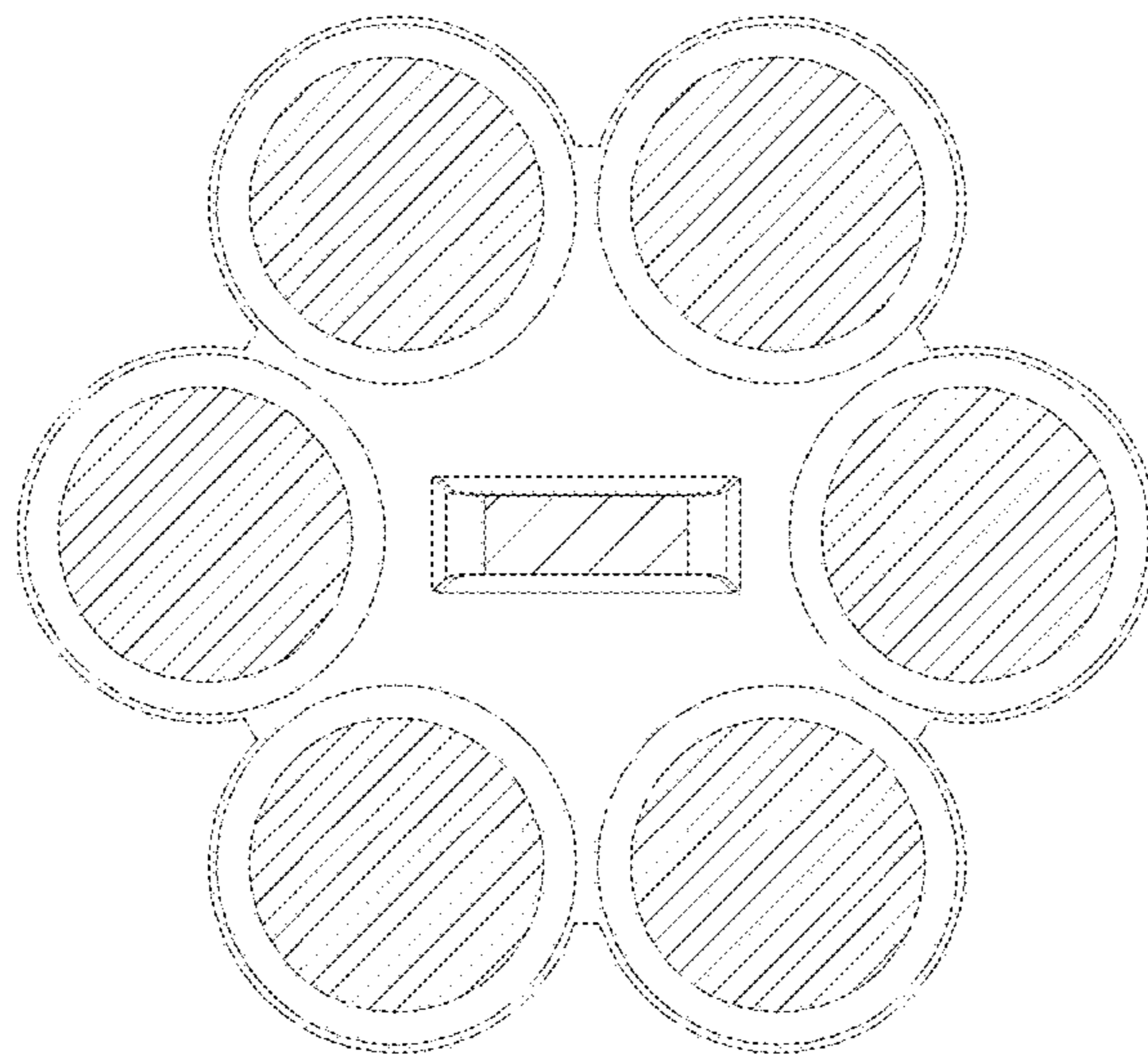


FIG.5

