



US00D867830S

(12) **United States Design Patent**  
**Arnold, III**

(10) **Patent No.:** **US D867,830 S**

(45) **Date of Patent:** **\*\* Nov. 26, 2019**

(54) **CULINARY CENTRIFUGE**

(71) Applicant: **Booker & Dax, LLC**, New York, NY  
(US)

(72) Inventor: **David E. Arnold, III**, New York, NY  
(US)

(73) Assignee: **Booker & Dax, LLC**, New York, NY  
(US)

(\*\*) Term: **15 Years**

(21) Appl. No.: **29/627,026**

(22) Filed: **Nov. 21, 2017**

**Related U.S. Application Data**

(63) Continuation-in-part of application No. 15/400,787,  
filed on Jan. 6, 2017.

(51) **LOC (12) Cl.** ..... **31-00**

(52) **U.S. Cl.**  
USPC ..... **D7/665; D7/412**

(58) **Field of Classification Search**  
USPC ..... D7/665, 666, 378, 370, 384, 412, 368  
CPC .. A23N 1/00; A23N 1/02; A23N 1/003; A47J  
19/0794; A47J 19/046; A47J 19/00; A47J  
19/02; A47J 19/027; A47J 19/06; A47J  
19/022; A47J 43/0727; A47J 43/0794;  
A47J 43/042; A47J 43/046; A47J  
2043/04454  
See application file for complete search history.

(56) **References Cited**

**U.S. PATENT DOCUMENTS**

3,186,458 A \* 6/1965 Takei ..... A23N 1/00  
74/458  
D249,441 S \* 9/1978 Fukumoto ..... D7/665

D254,702 S \* 4/1980 Tsuji ..... D7/665  
D462,583 S \* 9/2002 Dingert ..... D7/665  
D521,815 S \* 5/2006 Fung ..... D7/665  
D699,521 S \* 2/2014 Wu ..... D7/665

\* cited by examiner

*Primary Examiner* — Terry A Wallace

(74) *Attorney, Agent, or Firm* — Knobbe, Martens, Olson  
& Bear, LLP

(57) **CLAIM**

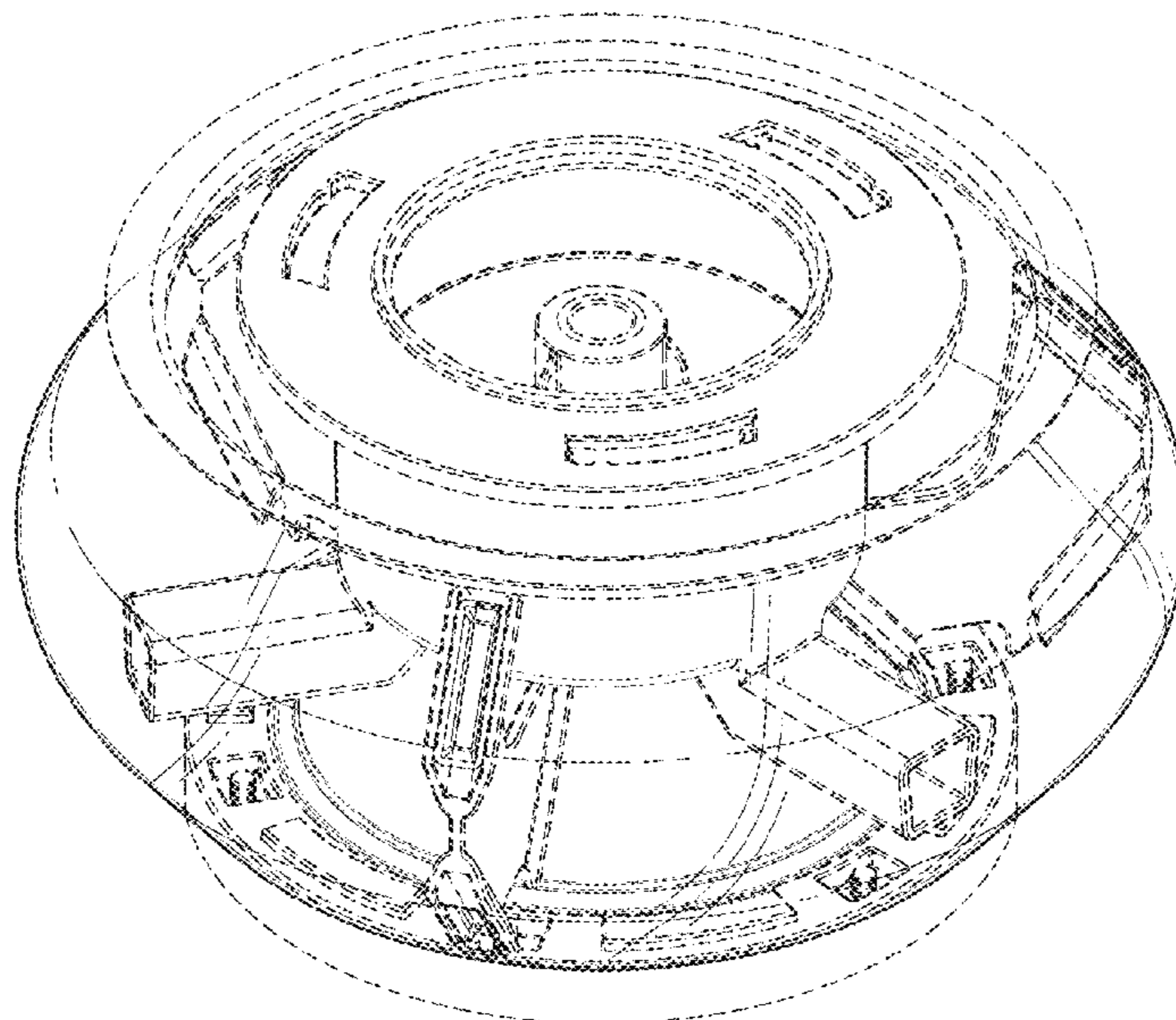
The ornamental design for a culinary centrifuge, as shown  
and described.

**DESCRIPTION**

FIG. 1 is a top, front, right side perspective view of the  
culinary centrifuge showing my new design.  
FIG. 2 is a bottom, front perspective view thereof.  
FIG. 3 is a front view thereof.  
FIG. 4 is a rear view thereof.  
FIG. 5 is a left side view thereof.  
FIG. 6 is a right side view thereof.  
FIG. 7 is a top plan view thereof.  
FIG. 8 is a bottom plan view thereof; and,  
FIG. 9 is a cross section view taken along line 9-9 of FIG.  
7.

The broken lines are used to illustrate features of the rotor  
and feeder assembly of the culinary centrifuge which forms  
no part of the claimed design. Dot-dash lines are used to  
illustrate boundary lines and form no part of the claimed  
design.

**1 Claim, 6 Drawing Sheets**



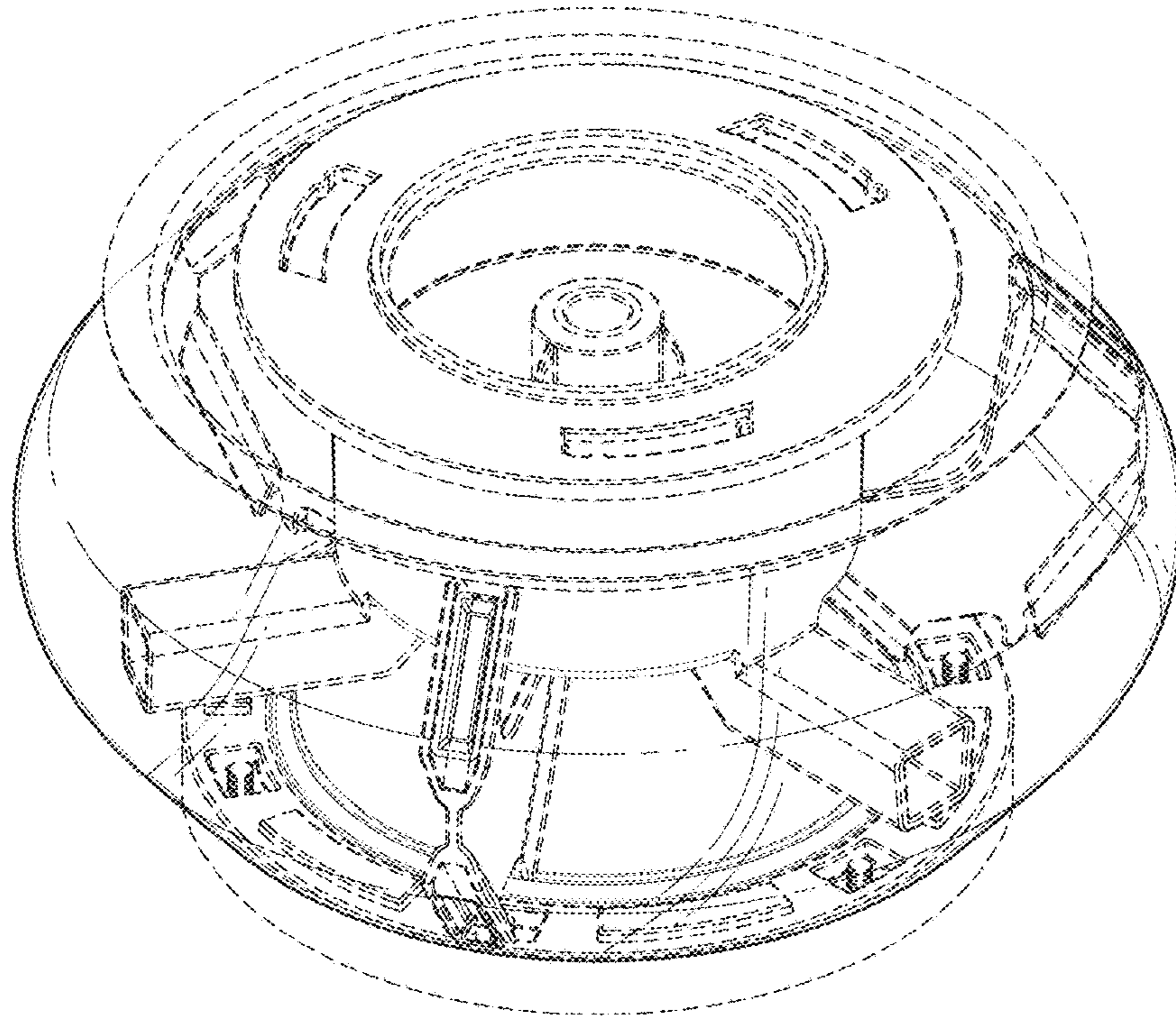


FIG. 1

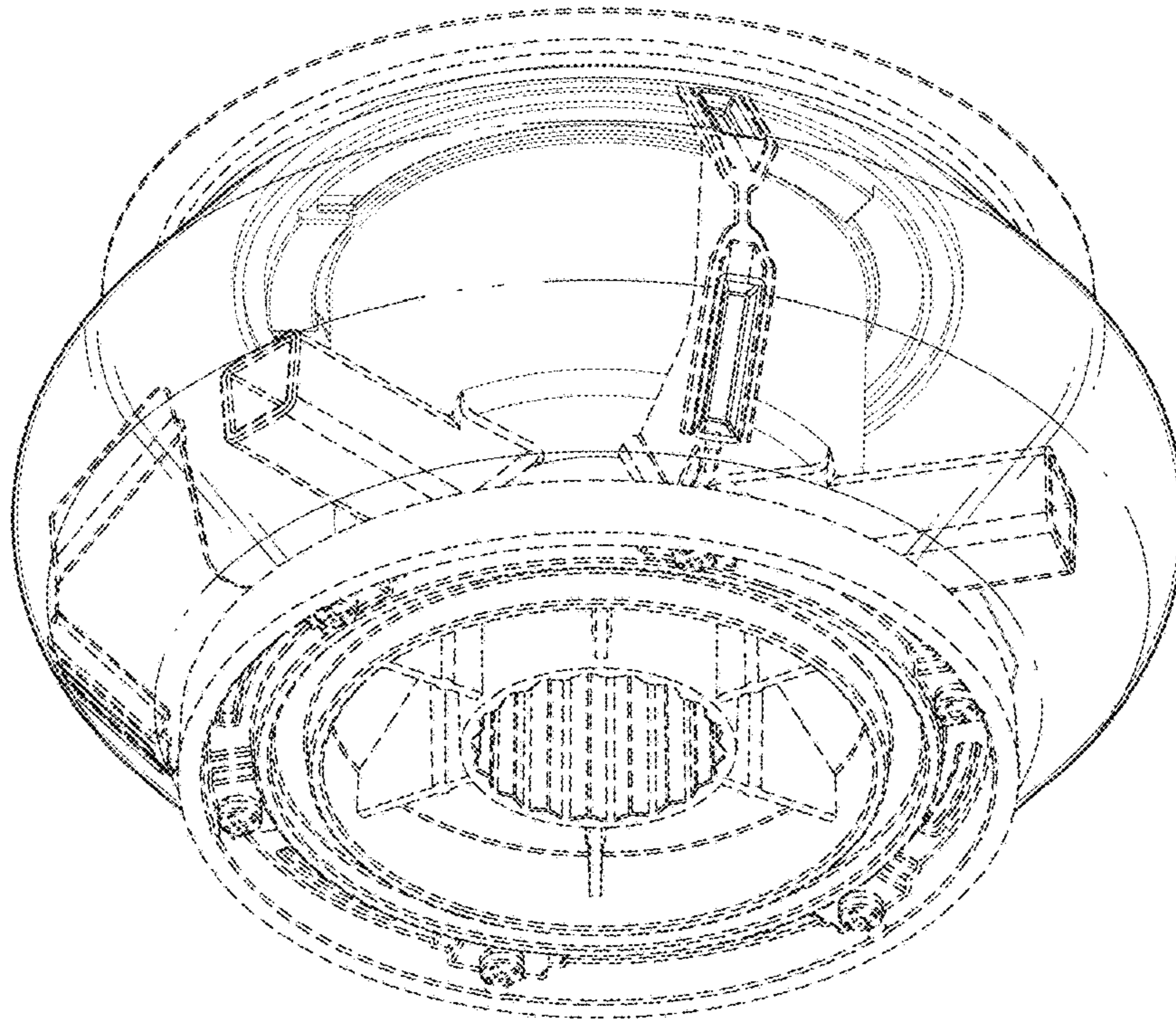


FIG. 2

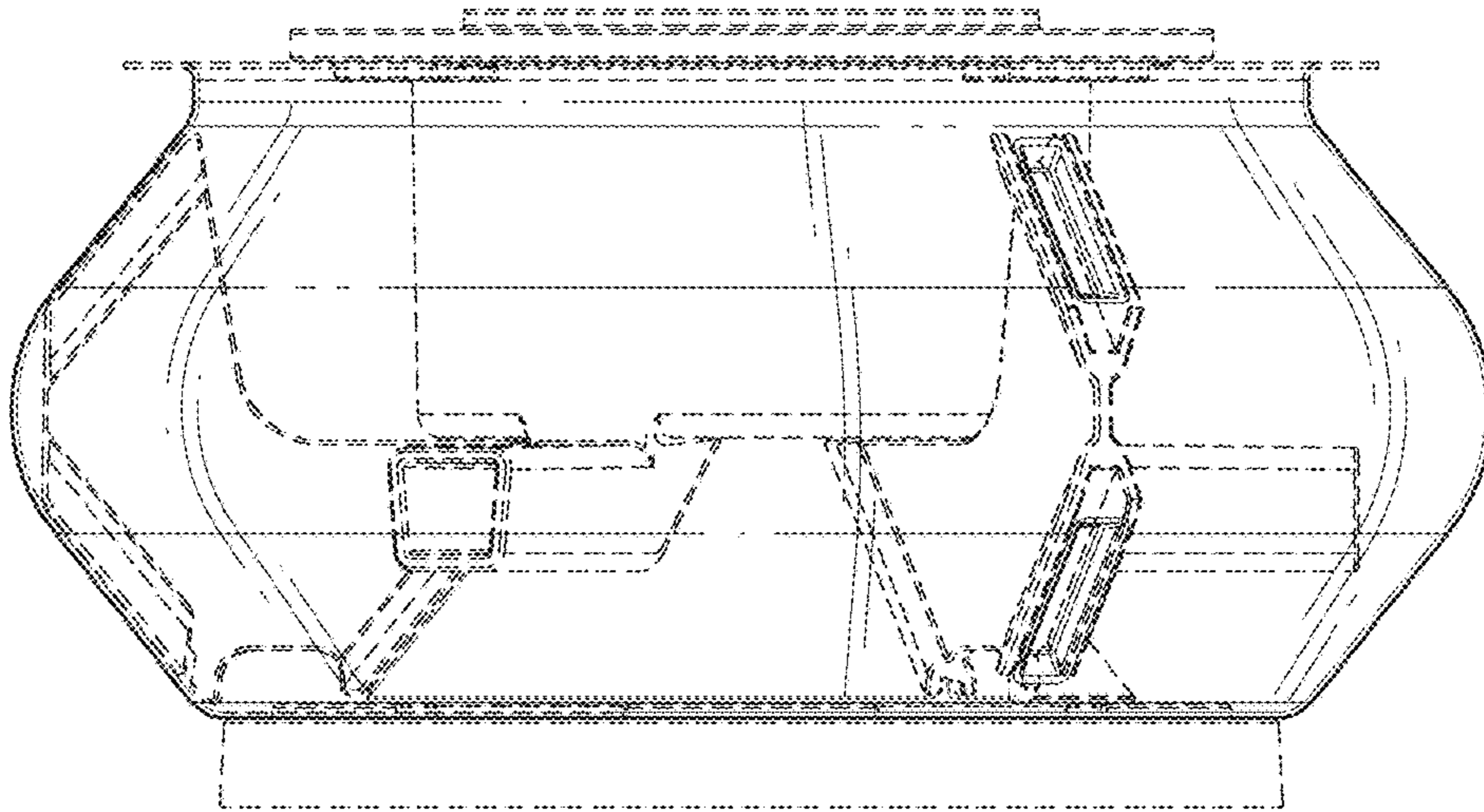


FIG. 3

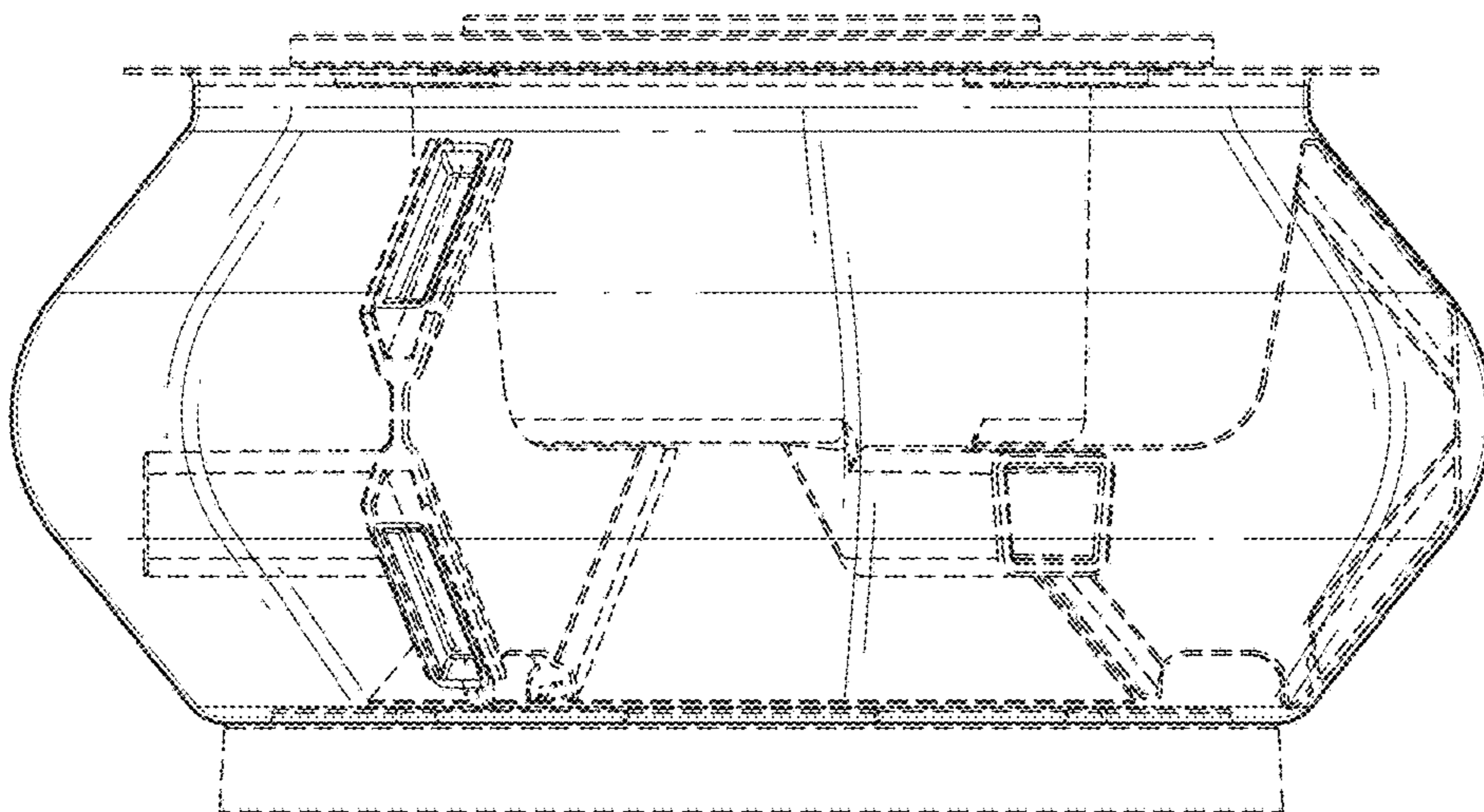


FIG. 4

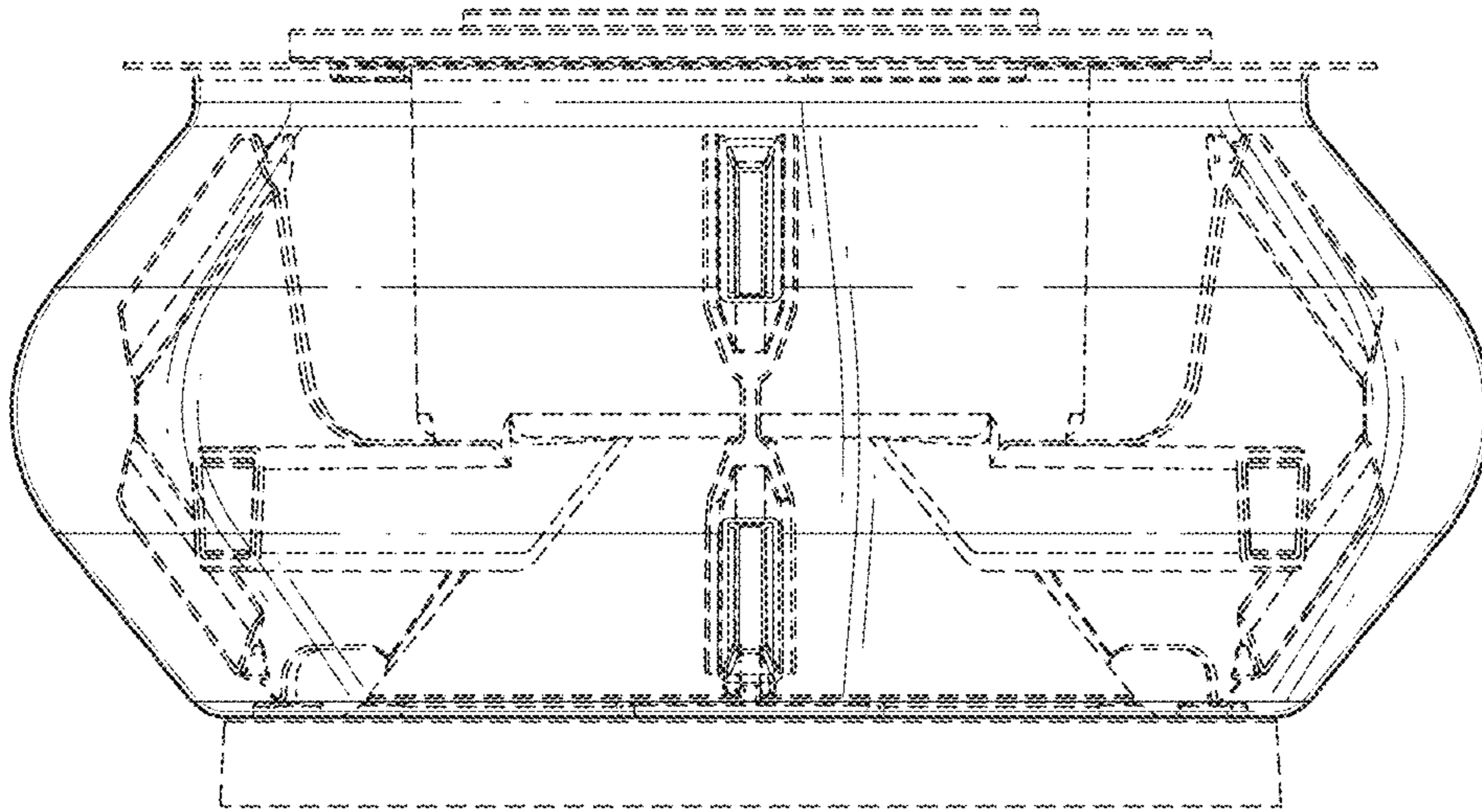


FIG. 5

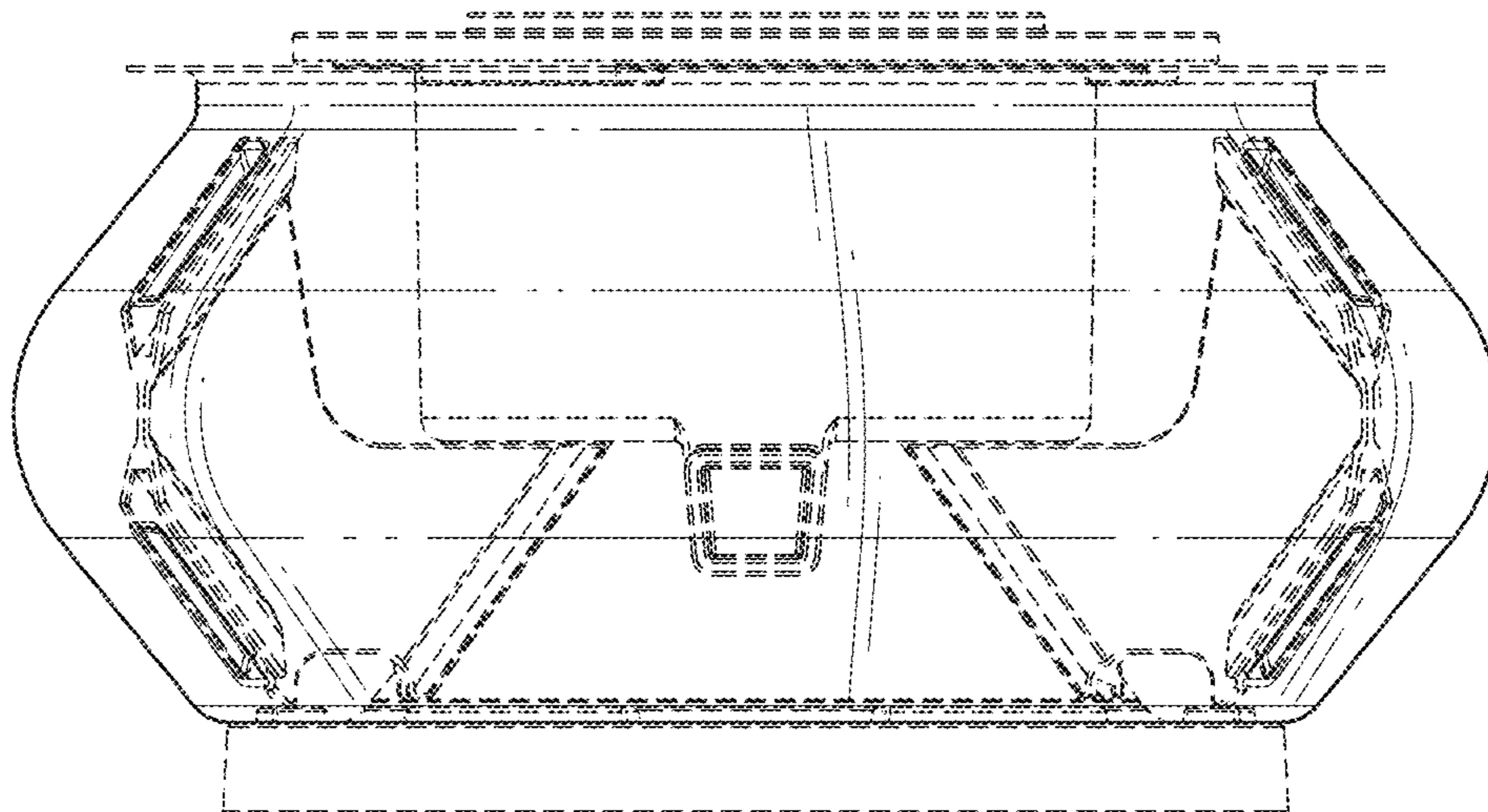


FIG. 6

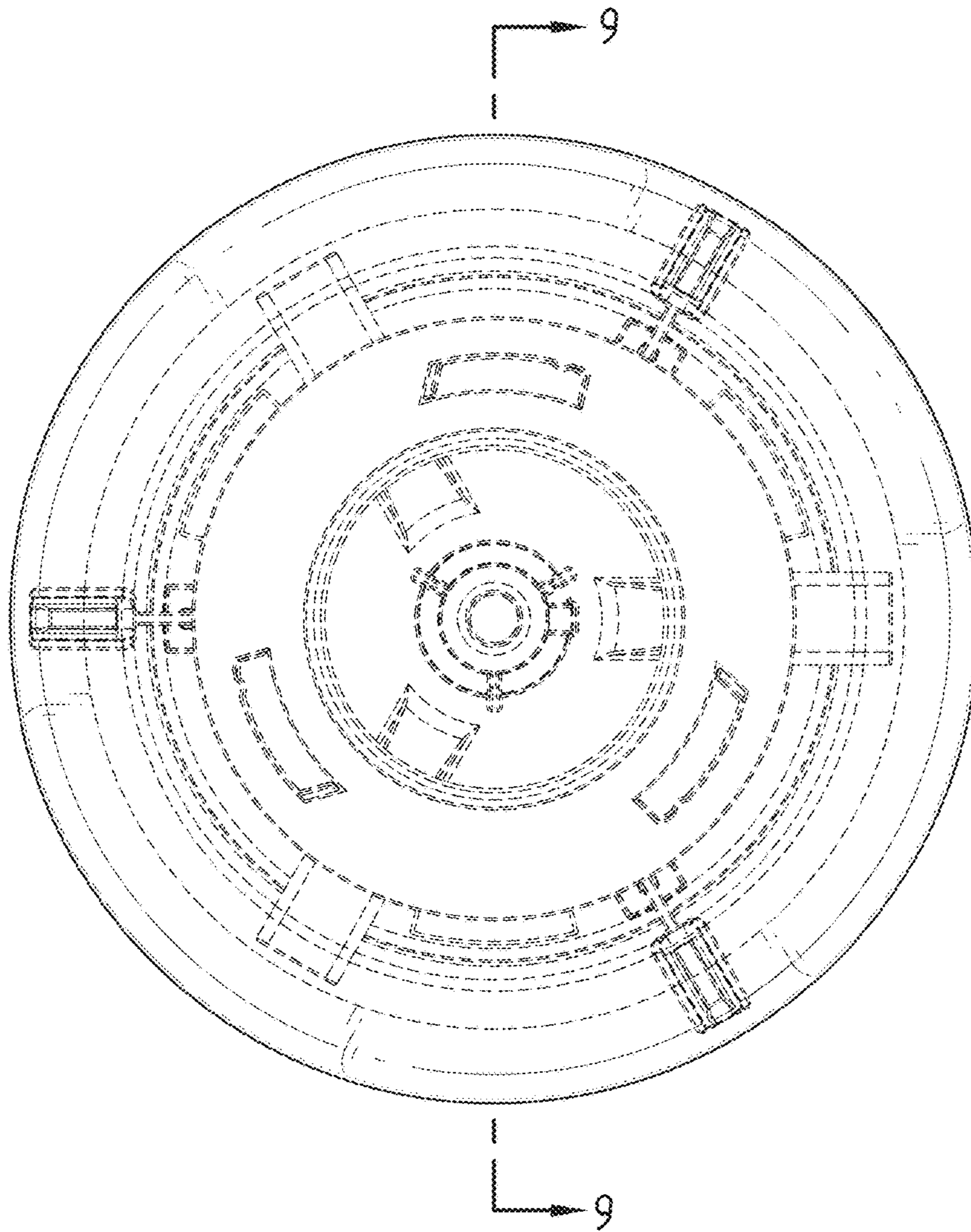


FIG. 7

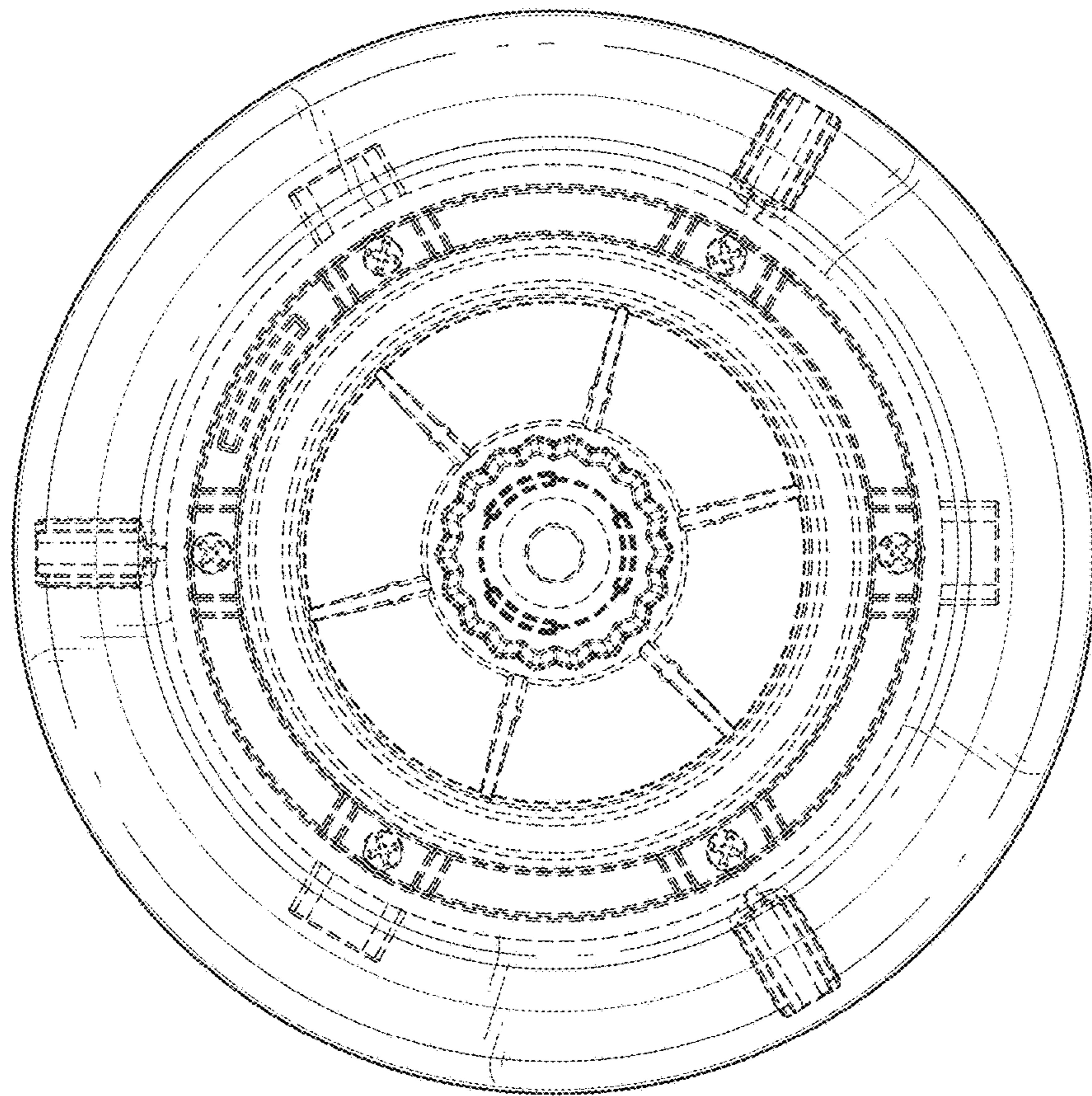


FIG. 8

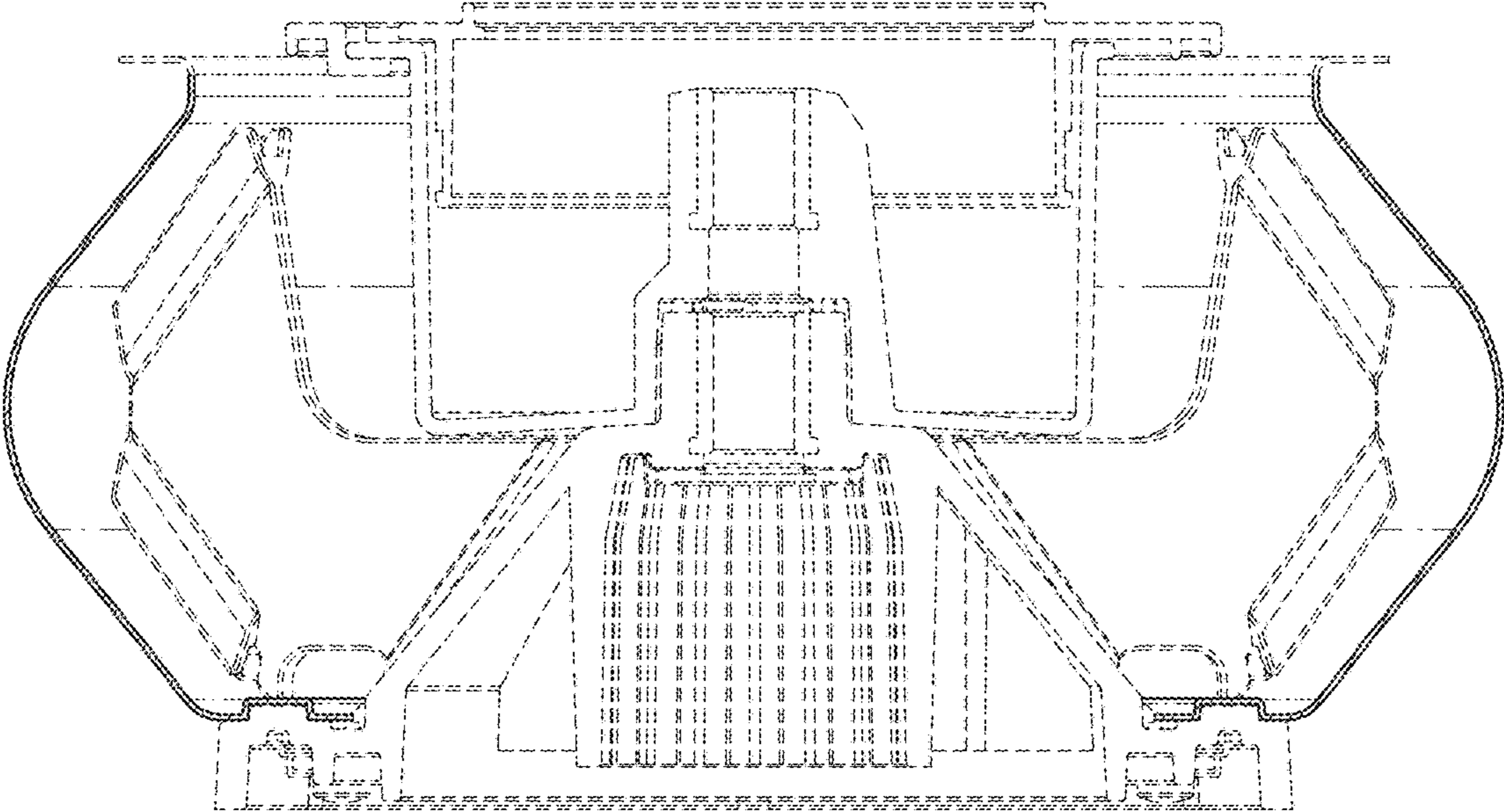


FIG. 9