



US00D867827S

(12) **United States Design Patent**
Greengrass et al.

(10) **Patent No.:** **US D867,827 S**

(45) **Date of Patent:** **** Nov. 26, 2019**

(54) **CUP HOLDER**

(71) Applicants: **John H. Greengrass**, Plantation, FL
(US); **Aileen M. Danko**, Plantation, FL
(US)

(72) Inventors: **John H. Greengrass**, Plantation, FL
(US); **Aileen M. Danko**, Plantation, FL
(US)

(**) Term: **15 Years**

(21) Appl. No.: **29/662,247**

(22) Filed: **Sep. 4, 2018**

(51) **LOC (12) Cl.** **07-06**

(52) **U.S. Cl.**
USPC **D7/619.1**

(58) **Field of Classification Search**
USPC D7/619.1-625, 601, 409, 412
CPC A47G 23/0216; A47G 23/0258; B60N
3/103; B60N 3/102; A47B 73/002
See application file for complete search history.

(56) **References Cited**

U.S. PATENT DOCUMENTS

3,393,892 A * 7/1968 Buck A47G 23/0216
248/346.11
D249,317 S * 9/1978 Korn D6/677.3

D456,542 S * 4/2002 Kennedy D26/23
D630,904 S * 1/2011 Zeilinger D7/601
D676,716 S * 2/2013 Lalo D7/619.1
D679,146 S * 4/2013 Rincon D7/620
D758,804 S * 6/2016 Liotta D7/622

* cited by examiner

Primary Examiner — Terry A Wallace

(74) *Attorney, Agent, or Firm* — Nancy J. Flint, Attorney
at Law, P.A.; Nancy J. Flint, Esq.

(57) **CLAIM**

The ornamental design for a cup holder, as shown and
described.

DESCRIPTION

FIG. 1 is a top perspective view of a cup holder showing our
new design;

FIG. 2 is a front view of the cup holder;

FIG. 3 is a left side view of the cup holder;

FIG. 4 is a rear view of the cup holder;

FIG. 5 is a right side view of the cup holder;

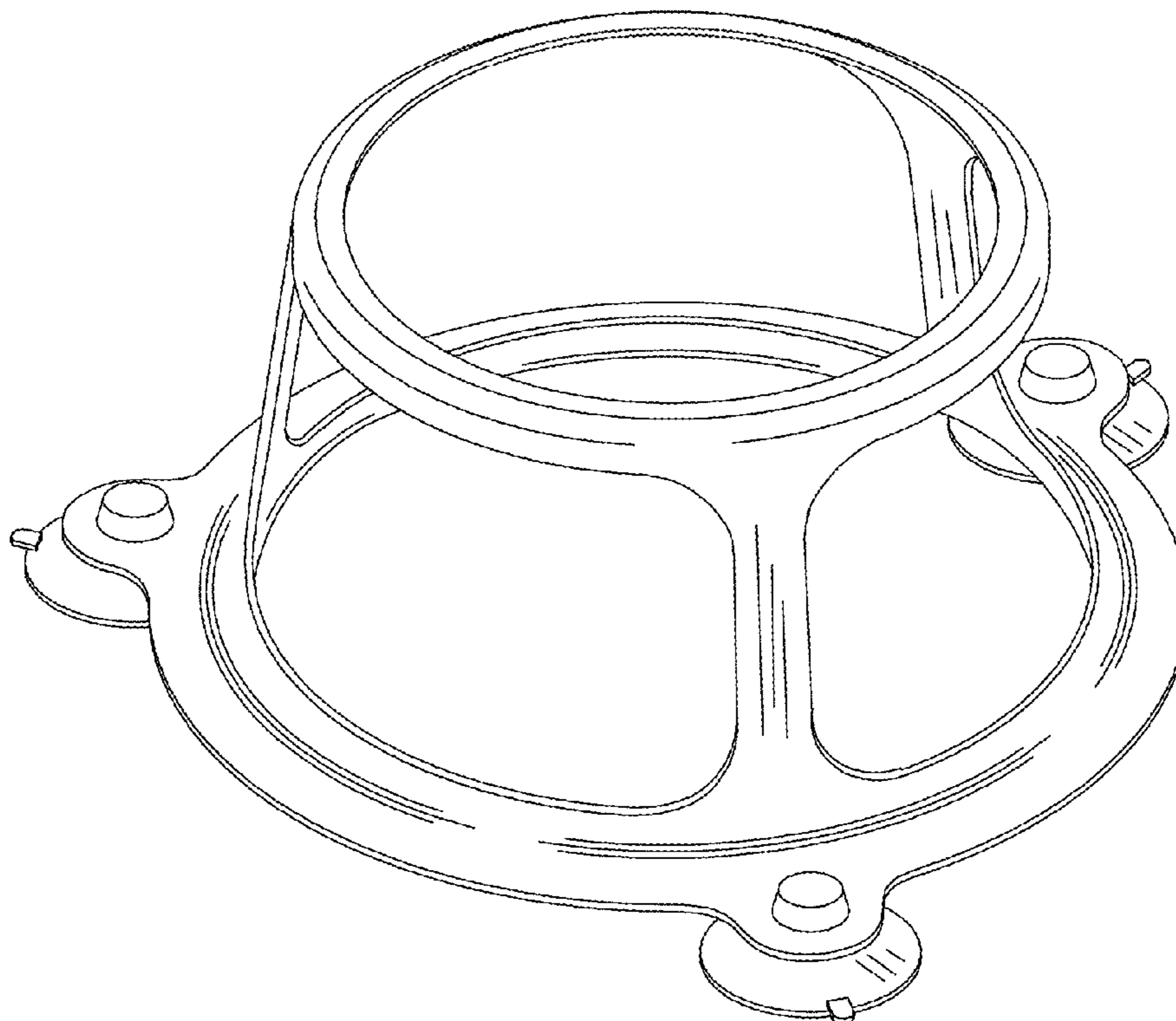
FIG. 6 is a top view of the cup holder;

FIG. 7 is a bottom view of the cup holder; and,

FIG. 8 is a perspective view of the cup holder in use to hold
a cup.

Broken lines in FIG. 8 illustrative of the environment are not
part of the design sought to be patented.

1 Claim, 6 Drawing Sheets



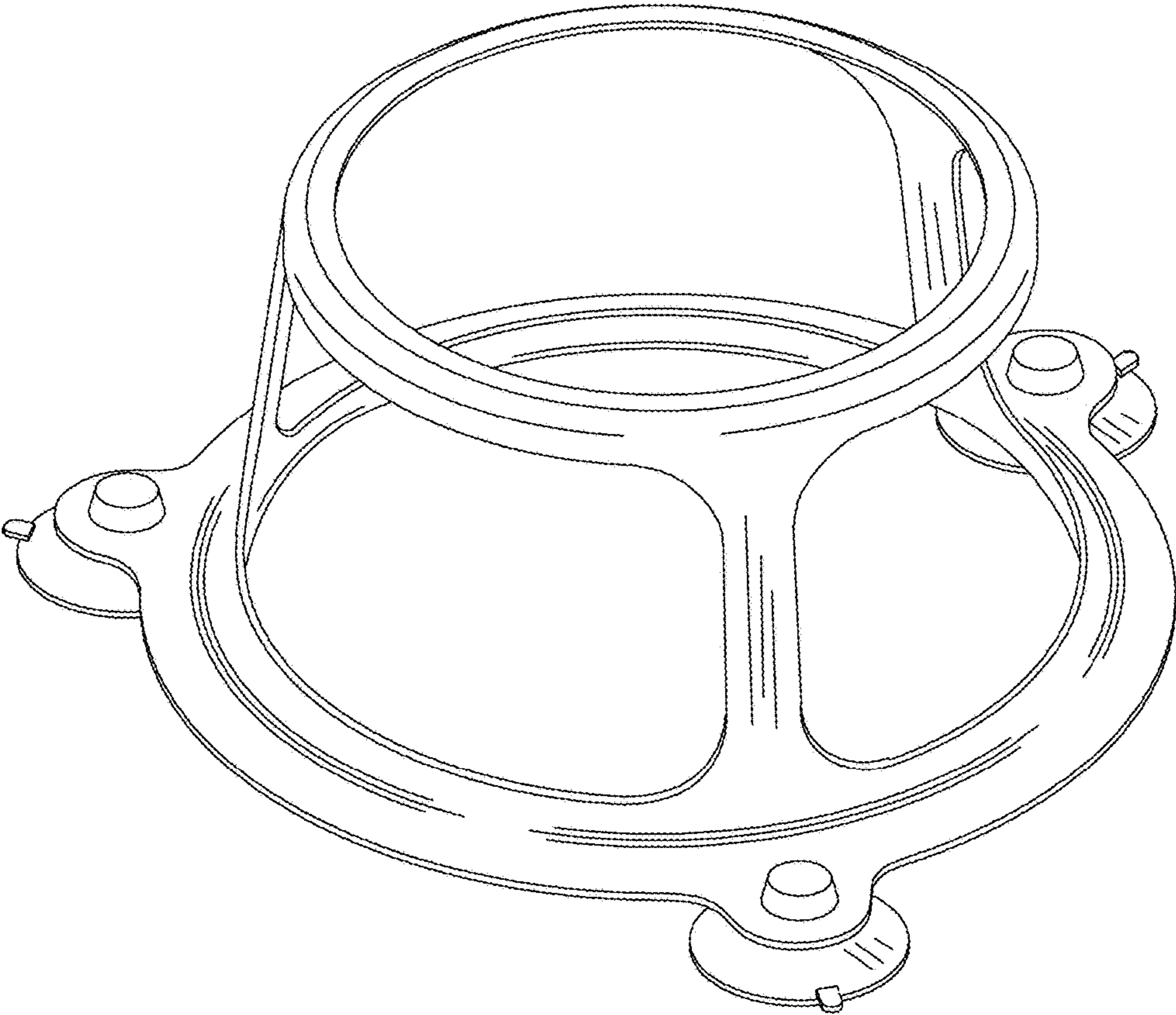


Fig. 1

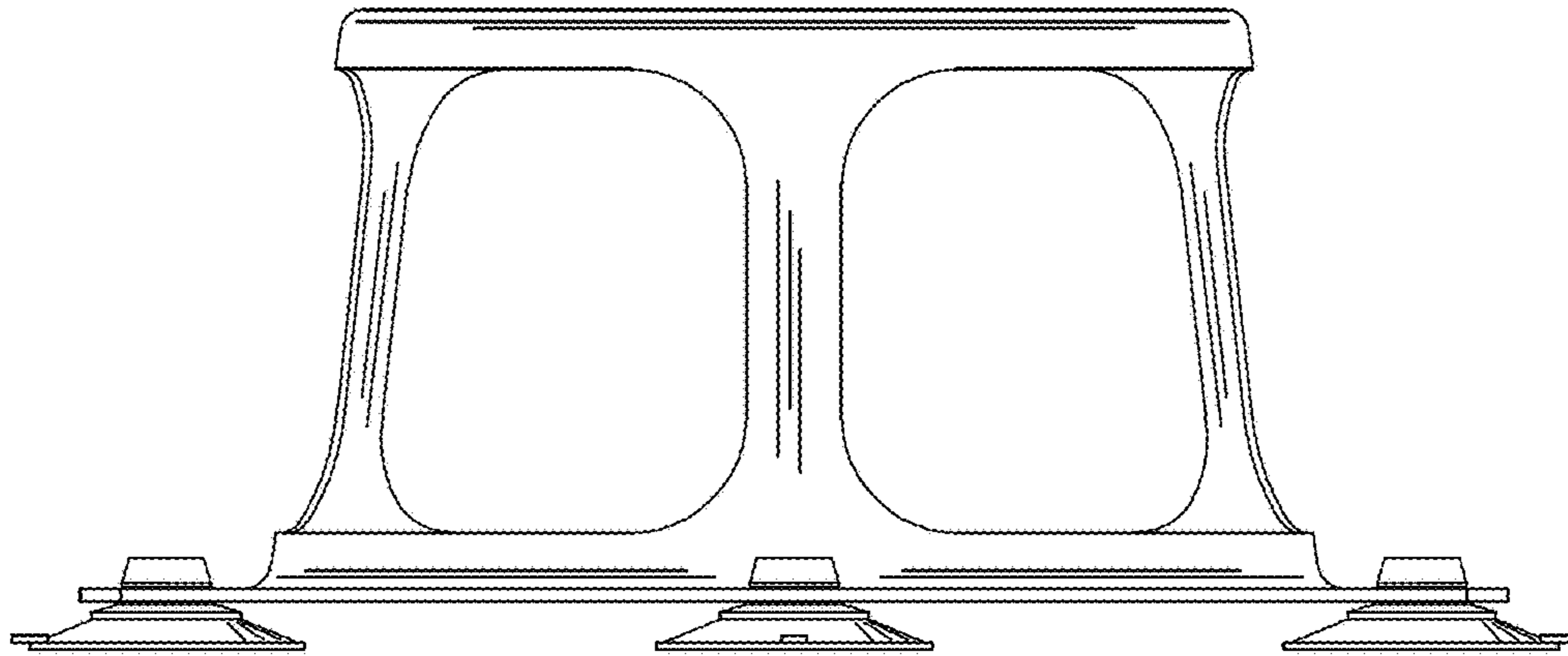


Fig. 2

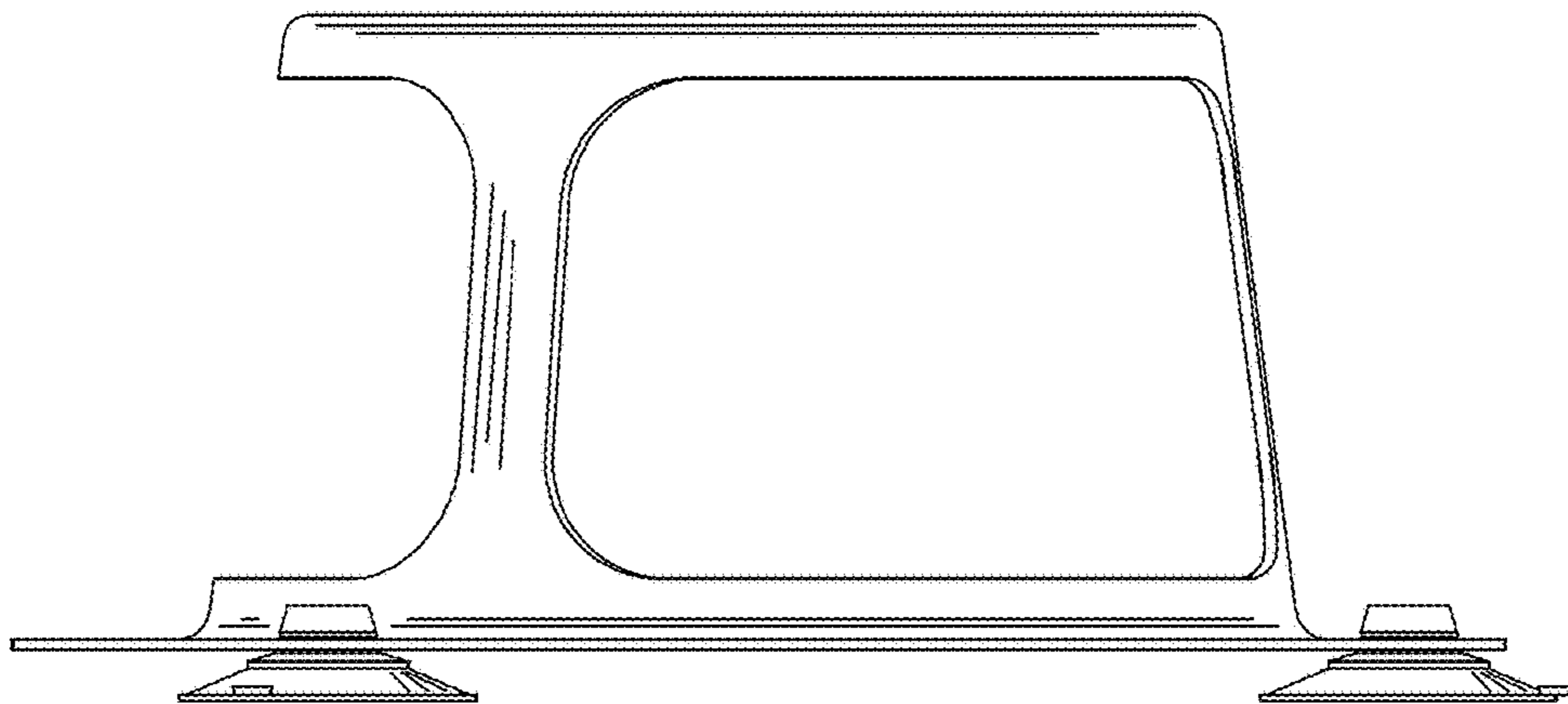


Fig. 3

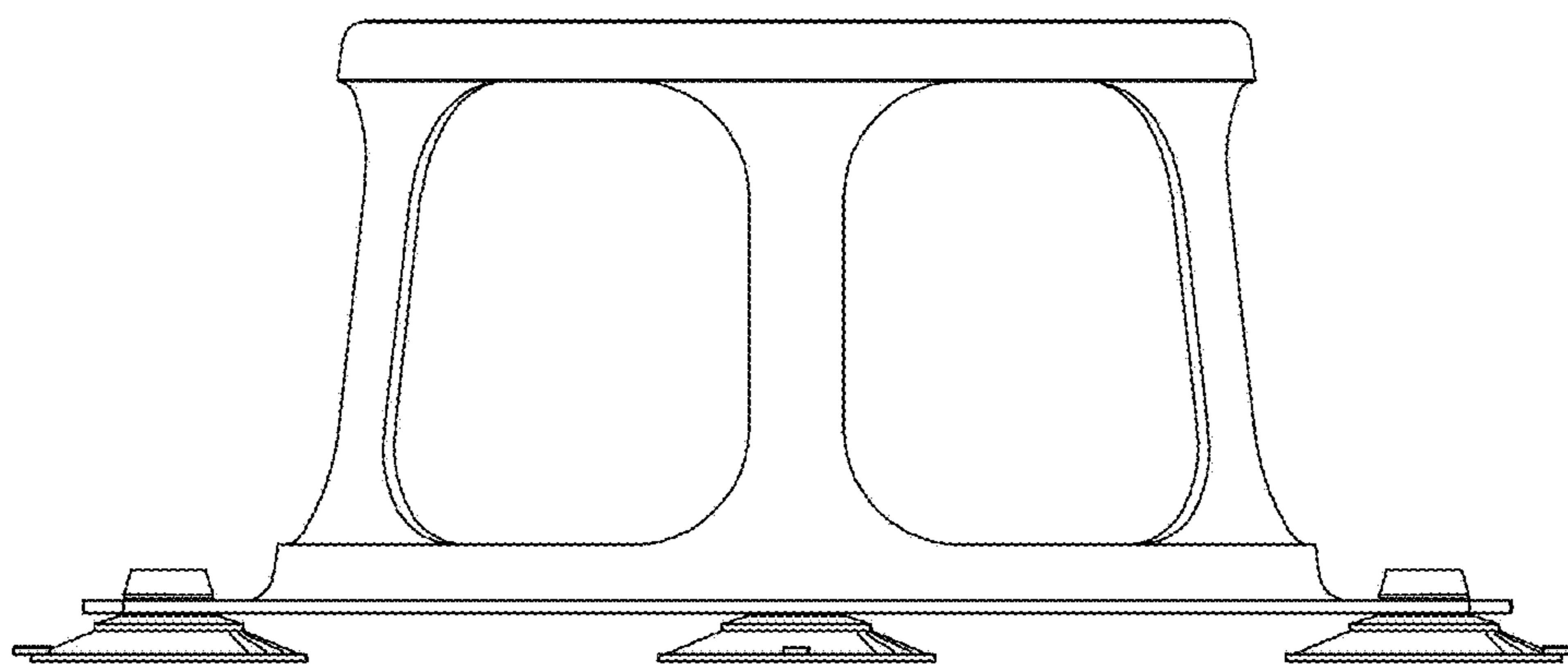


Fig. 4

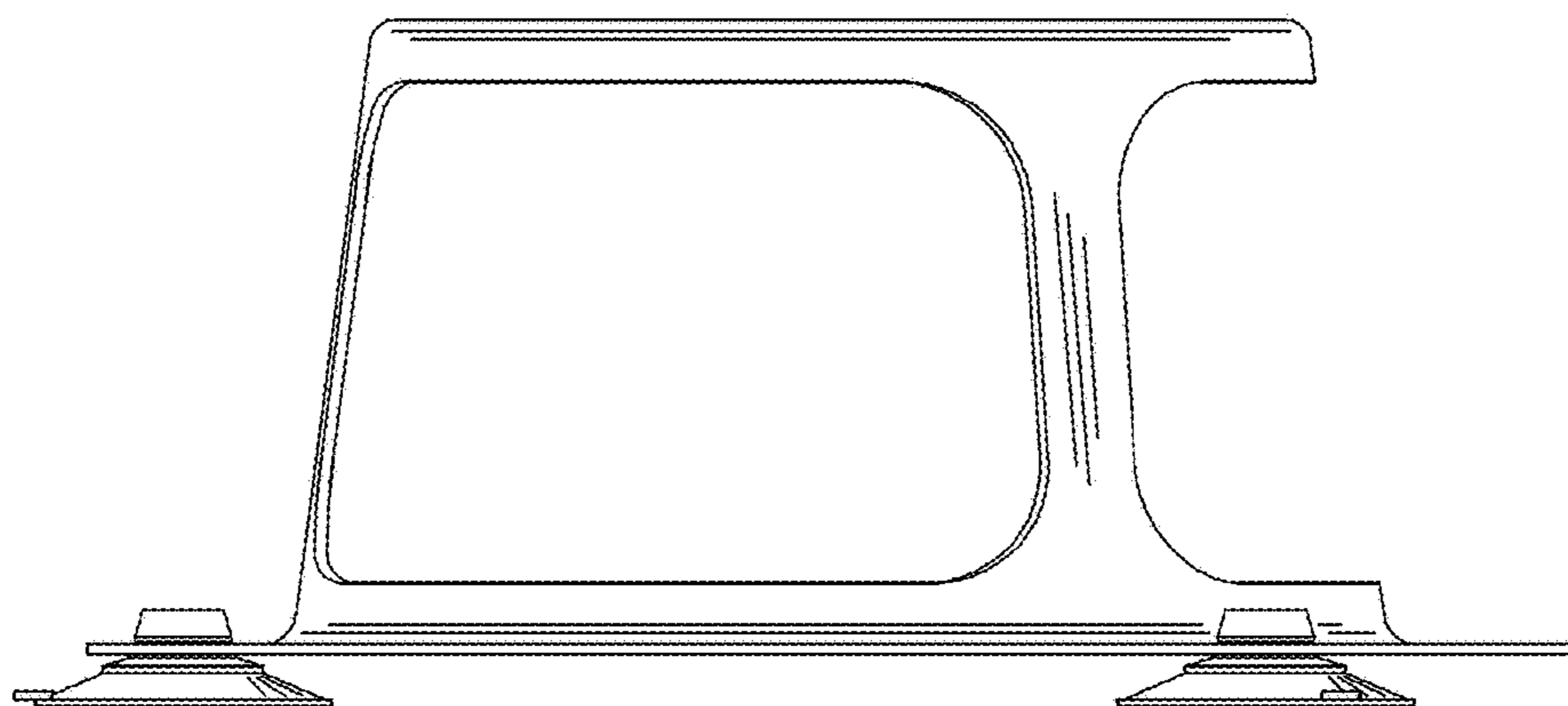


Fig. 5

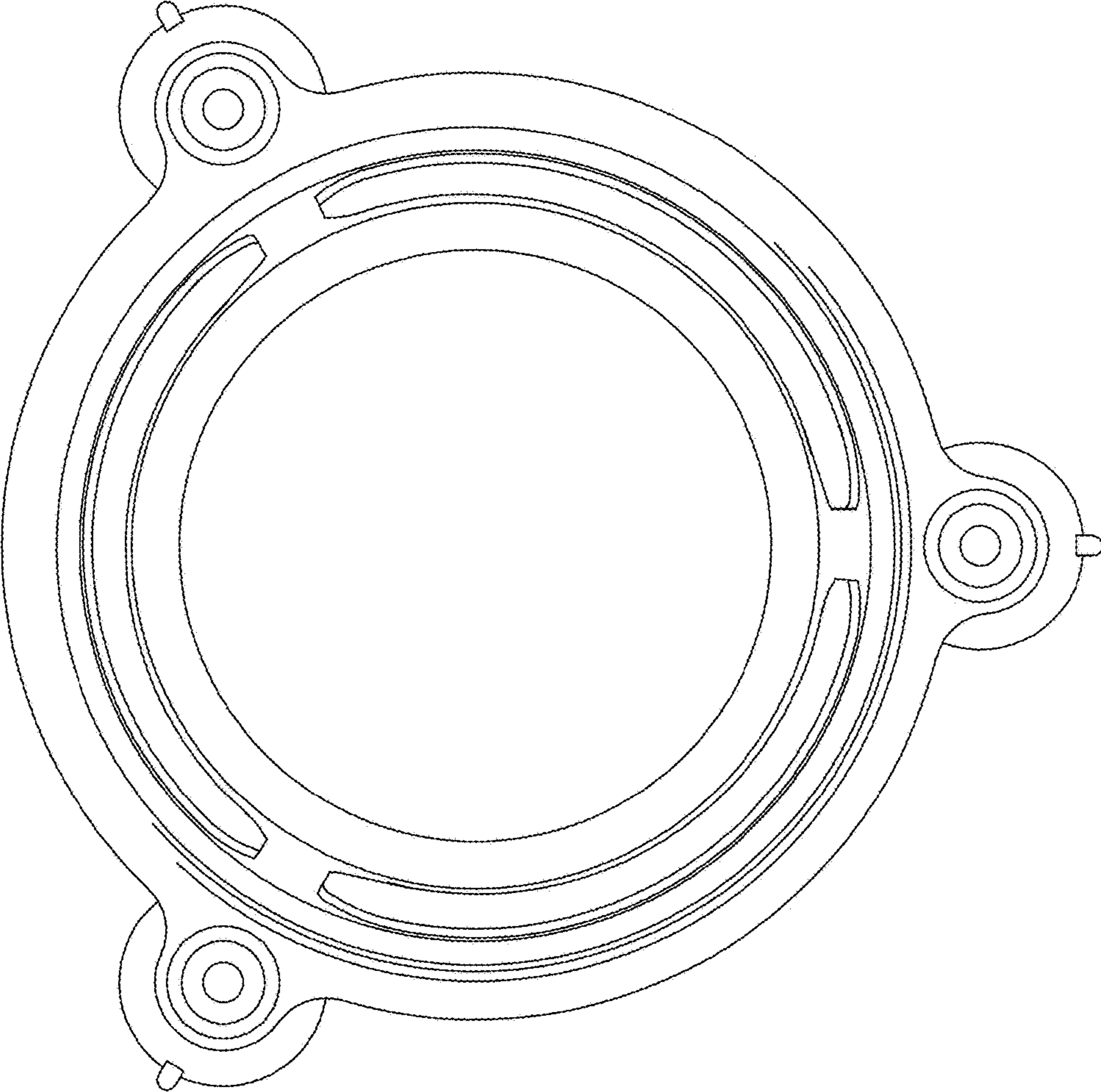


Fig. 6

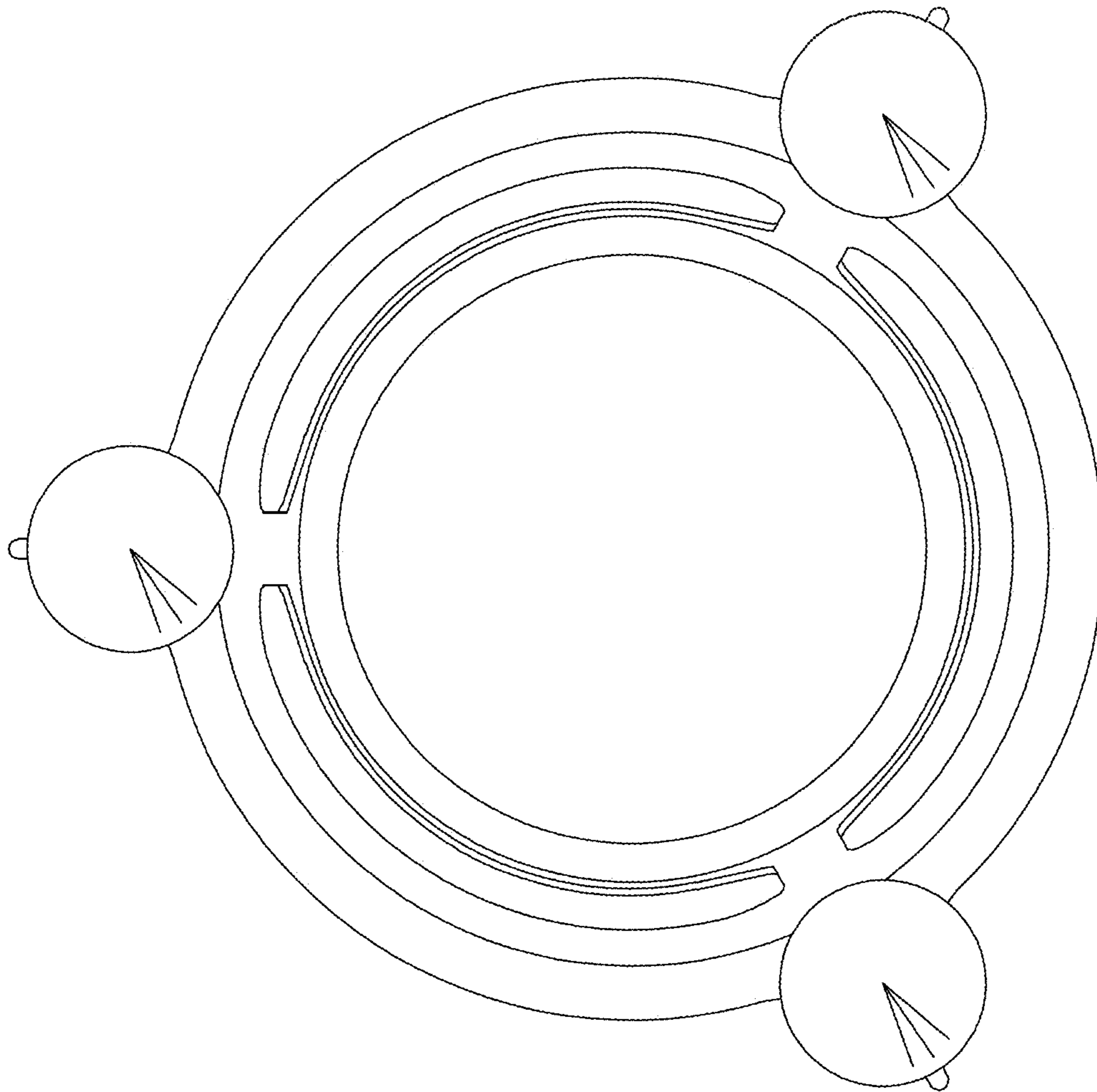


Fig. 7

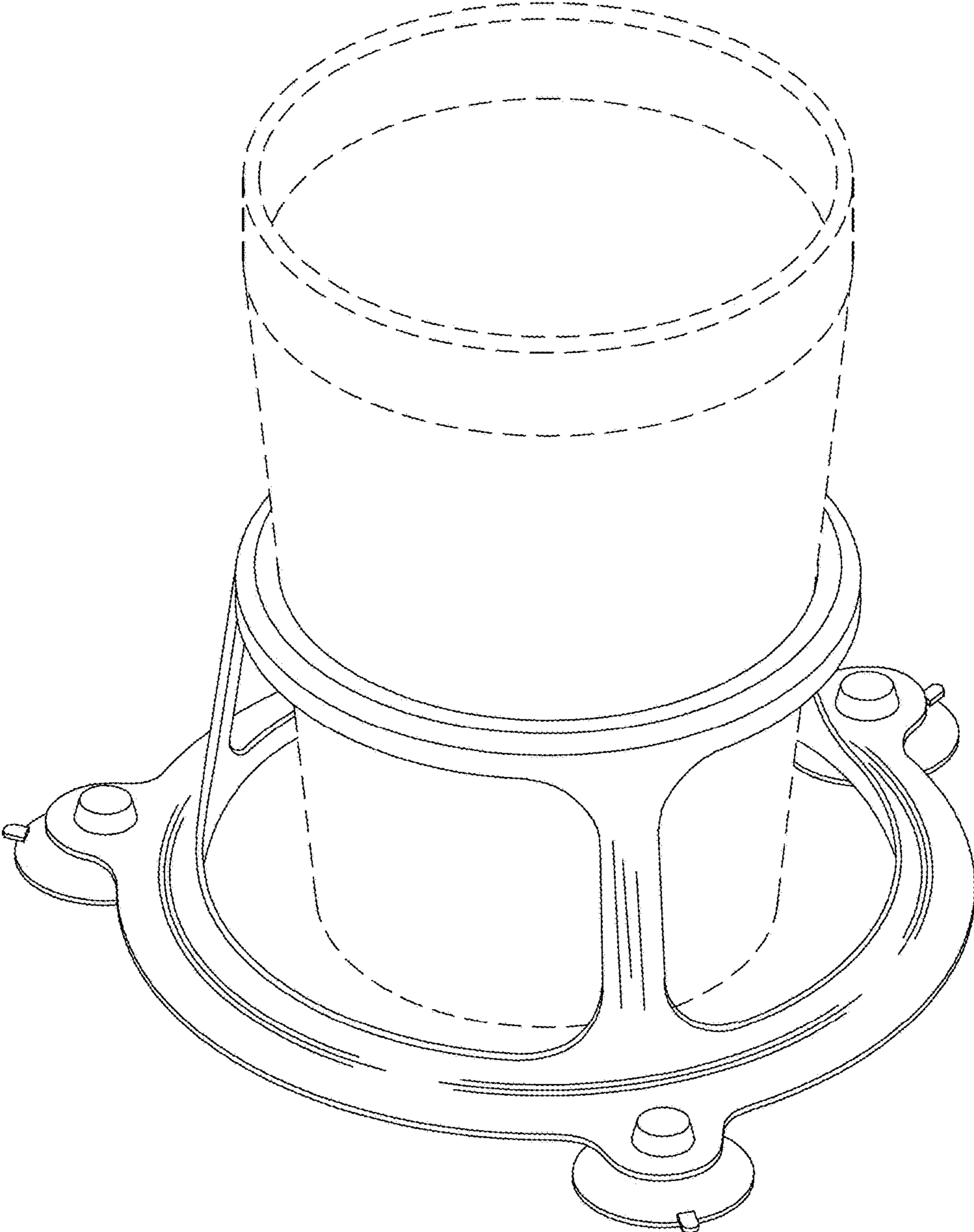


Fig. 8