



US00D867826S

(12) **United States Design Patent**  
**Shah**

(10) **Patent No.:** **US D867,826 S**

(45) **Date of Patent:** **\*\* Nov. 26, 2019**

- (54) **CONTAINER** 5,021,351 A \* 6/1991 Ervin ..... C12M 23/10  
206/508
- (71) Applicant: **Tokyo Plast International Ltd.,** D347,359 S \* 5/1994 Robbins, III ..... D7/512  
Mumbai (IN) 5,409,126 A \* 4/1995 DeMars ..... B65D 43/0218  
206/499
- (72) Inventor: **Haresh Shah, Mumbai (IN)** D447,053 S \* 8/2001 Chagnon ..... D9/428  
D479,951 S \* 9/2003 Segura ..... D7/608
- (73) Assignee: **TOKYO PLAST INTERNATIONAL** D494,424 S \* 8/2004 Segura ..... D7/608  
**LTD., Mumbai (IN)** D540,626 S \* 4/2007 Janky ..... D7/608  
D622,554 S \* 8/2010 Carreno ..... D7/629  
D643,694 S \* 8/2011 Lu ..... D7/629
- (\*\*) Term: **15 Years**

\* cited by examiner

- (21) Appl. No.: **29/643,073**
- (22) Filed: **Apr. 4, 2018**
- (51) **LOC (12) Cl.** ..... **07-01**
- (52) **U.S. Cl.**  
USPC ..... **D7/608; D7/629; D7/630**
- (58) **Field of Classification Search**  
USPC ..... **D7/605, 608, 629, 630, 612-615,**  
**D7/538-542**  
CPC ..... **B65D 81/3216; B65D 25/04; B65D**  
**43/0218; B65D 21/0219; A47J 47/02;**  
**A47J 47/14**  
See application file for complete search history.

*Primary Examiner* — Terry A Wallace  
(74) *Attorney, Agent, or Firm* — Notaro, Michalos & Zaccaria P.C.

(57) **CLAIM**

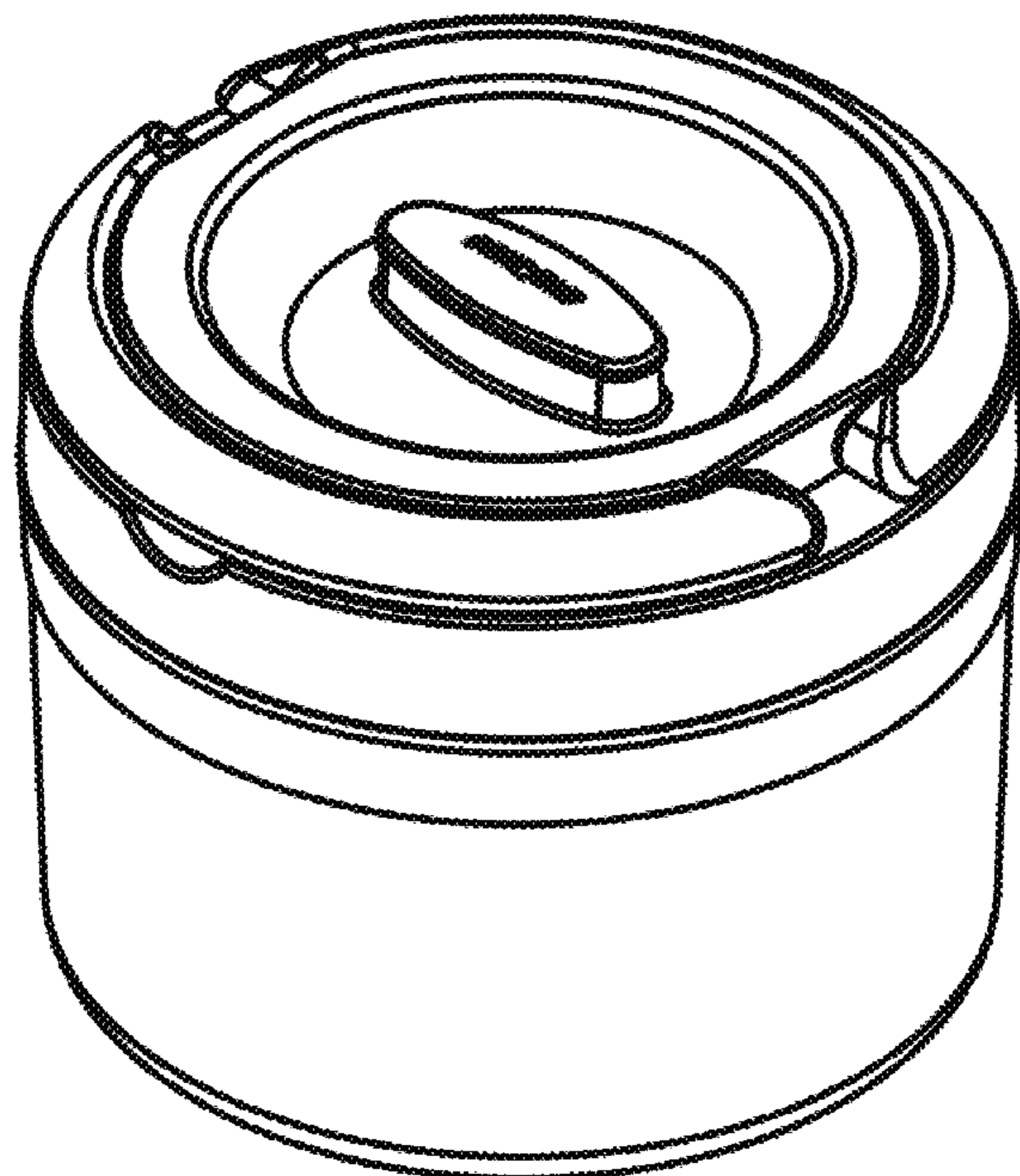
The ornamental design for a container, as shown and described.

**DESCRIPTION**

FIG. 1 is a left side elevational view of a container showing my new design therefor;  
FIG. 2 is a front elevational view thereof;  
FIG. 3 is a right side elevational view thereof;  
FIG. 4 is a top plan view thereof;  
FIG. 5 is a bottom plan view thereof; and,  
FIG. 6 is a front, left perspective view thereof.

**1 Claim, 1 Drawing Sheet**

- (56) **References Cited**  
U.S. PATENT DOCUMENTS  
2,656,946 A \* 10/1953 Clarke ..... A47J 47/14  
220/592.2  
4,091,953 A \* 5/1978 Daenen ..... B65D 81/3216  
220/23.86



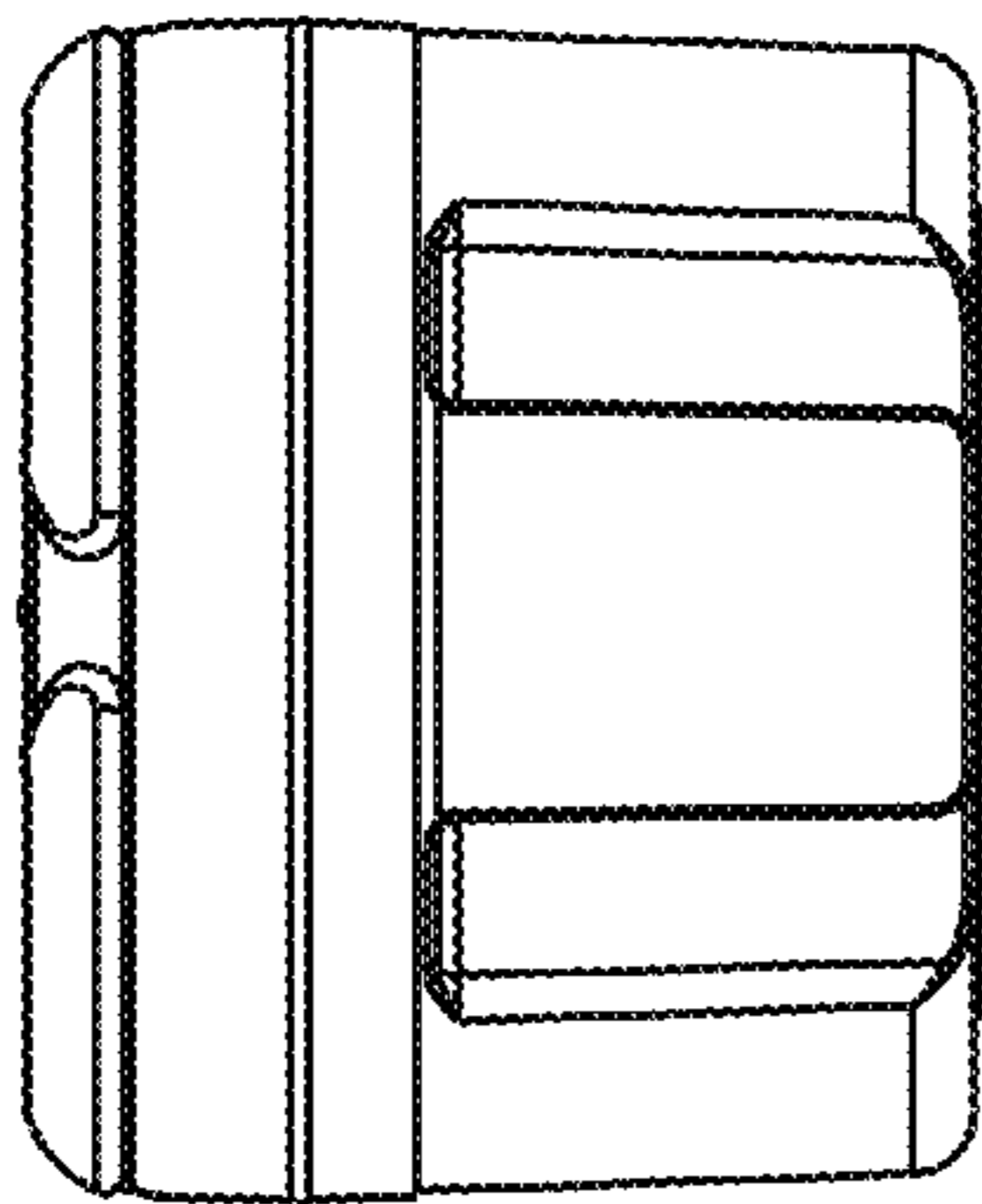


FIG. 1

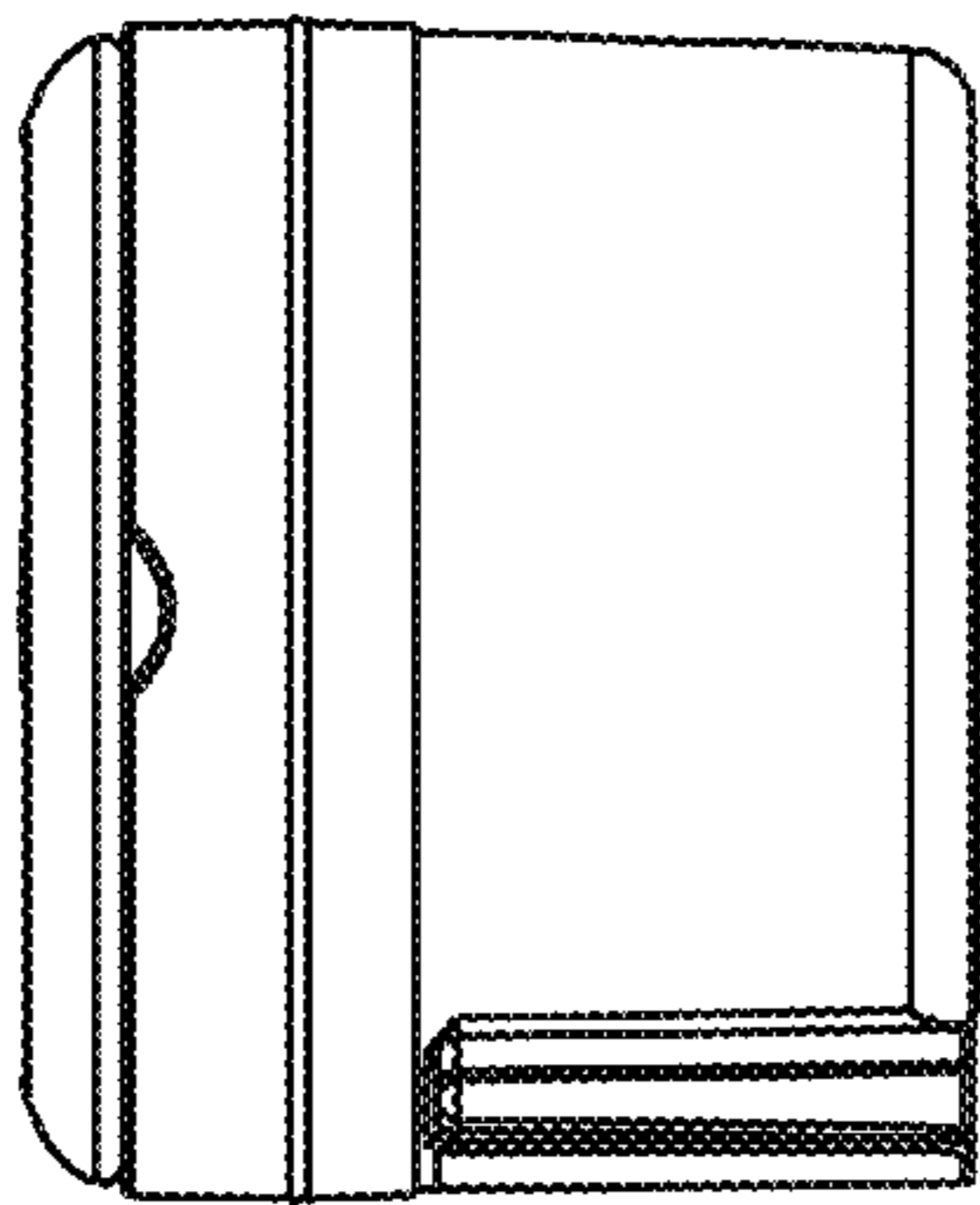


FIG. 2

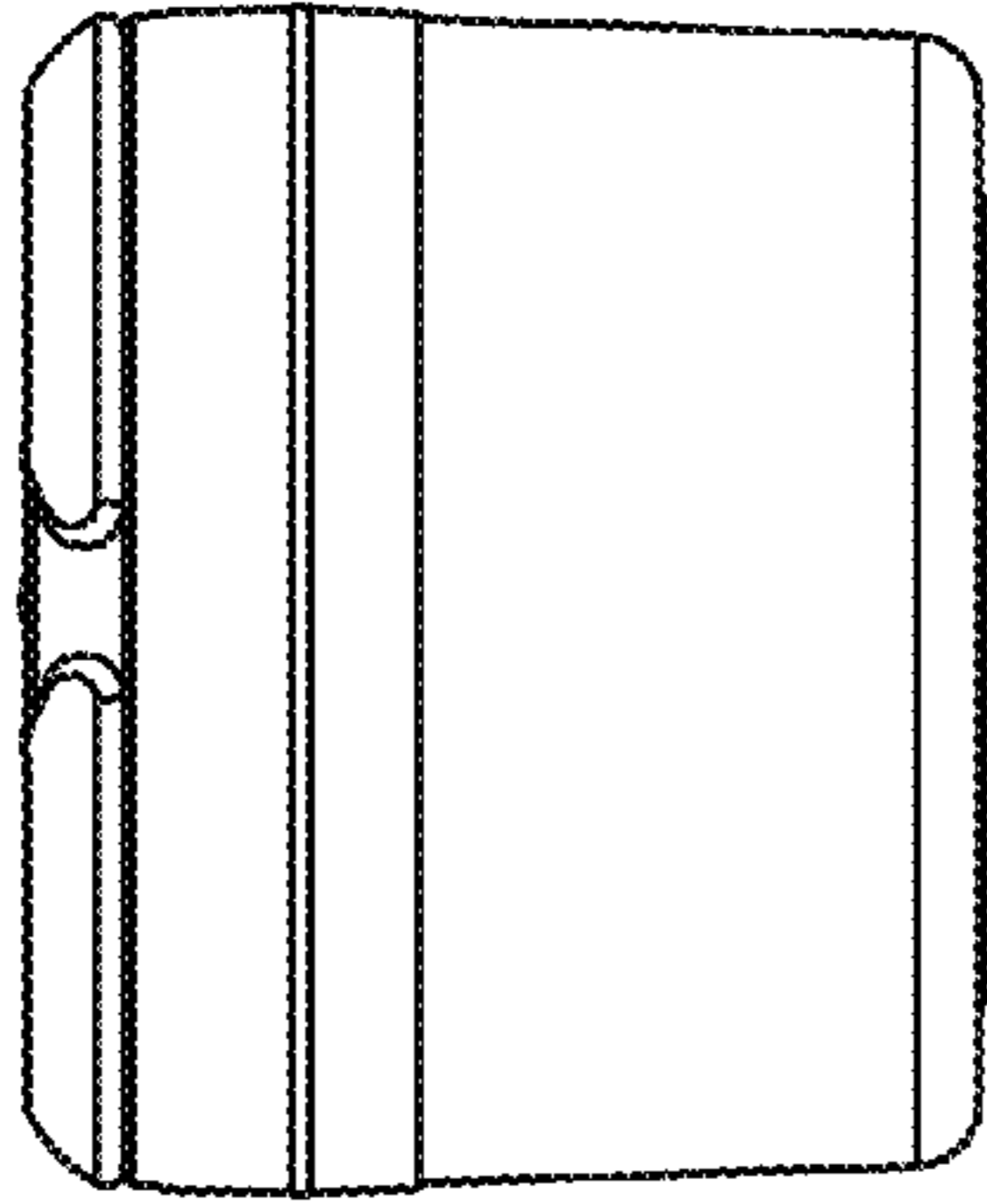


FIG. 3

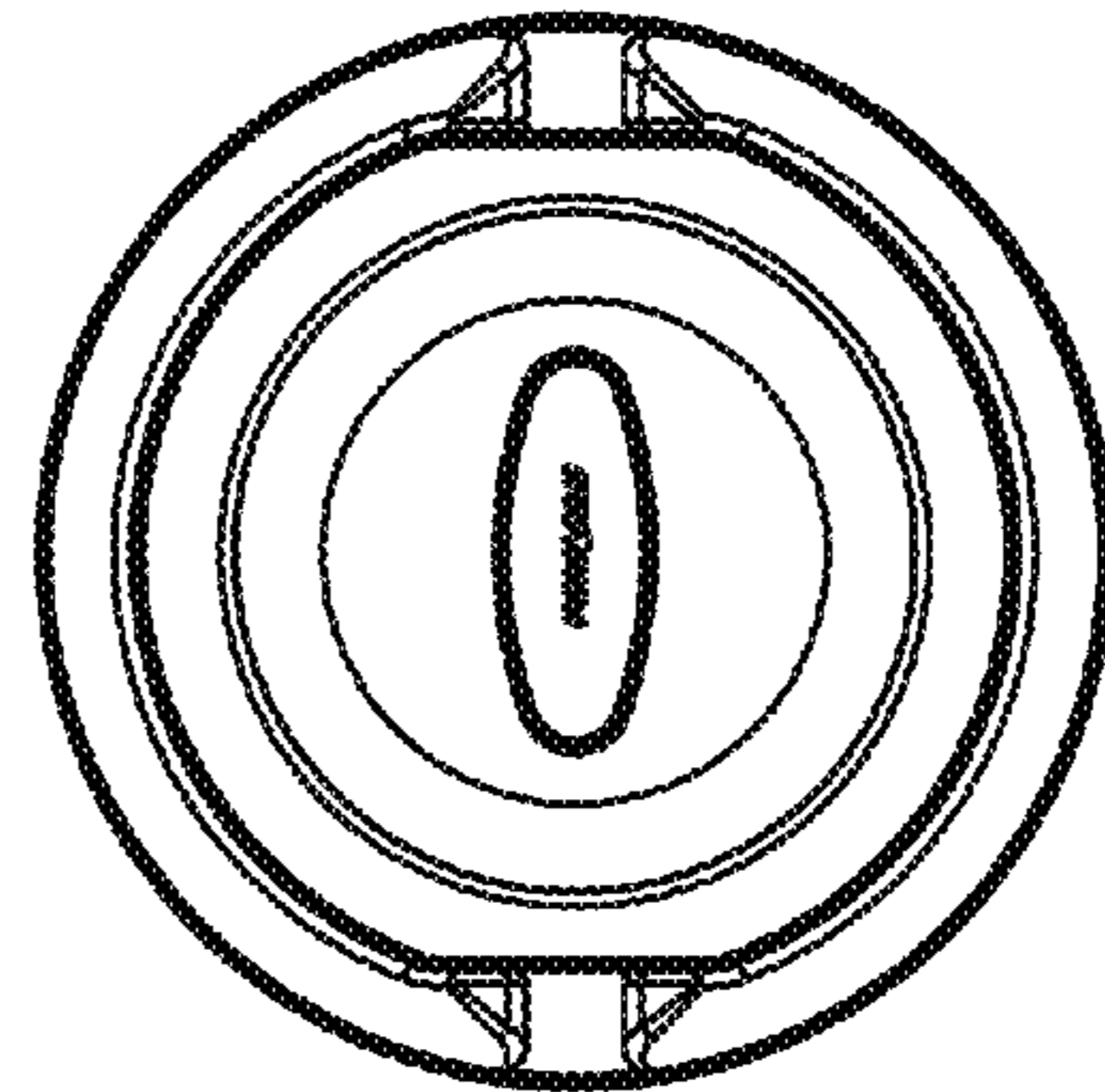


FIG. 4

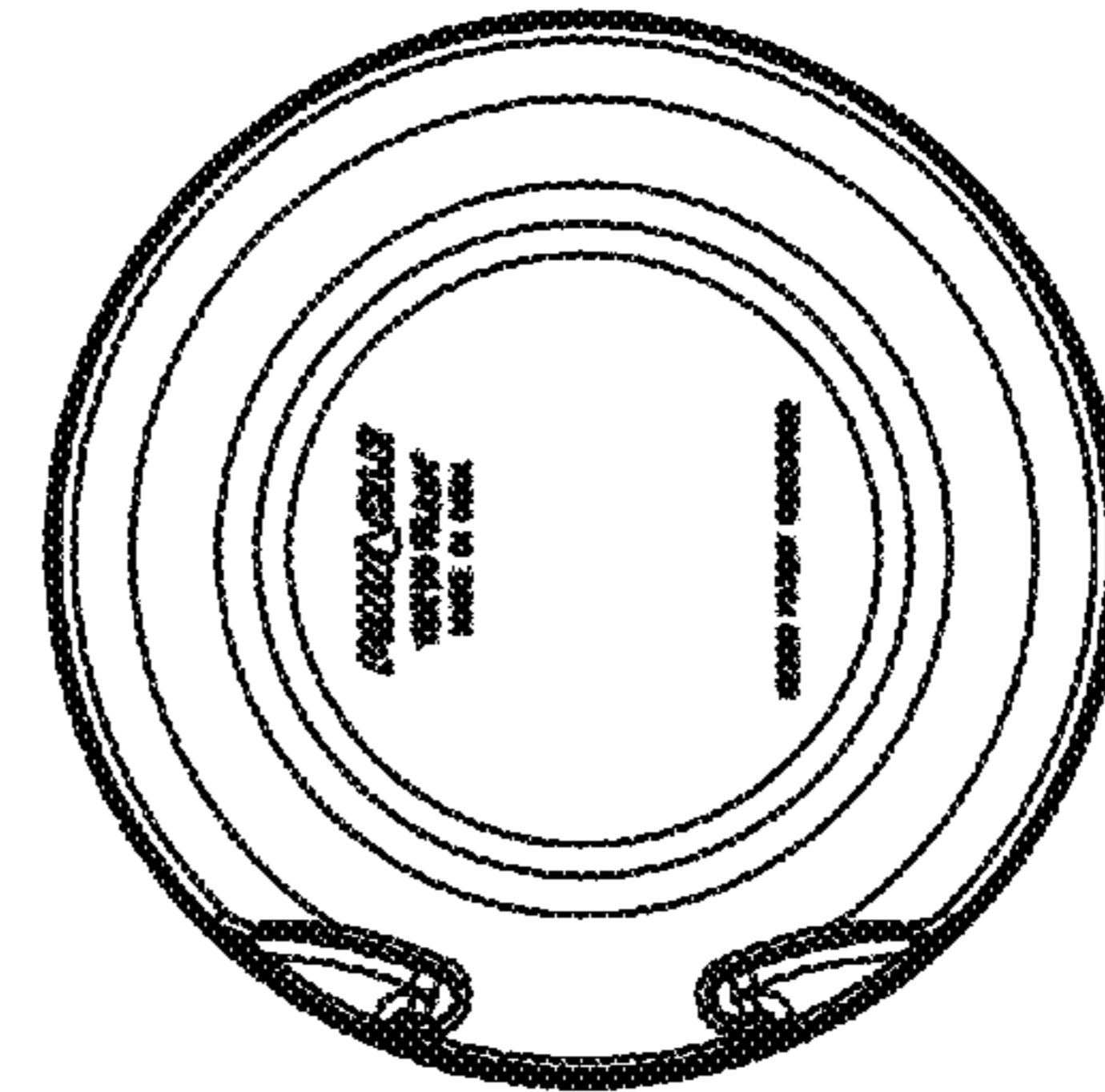


FIG. 5

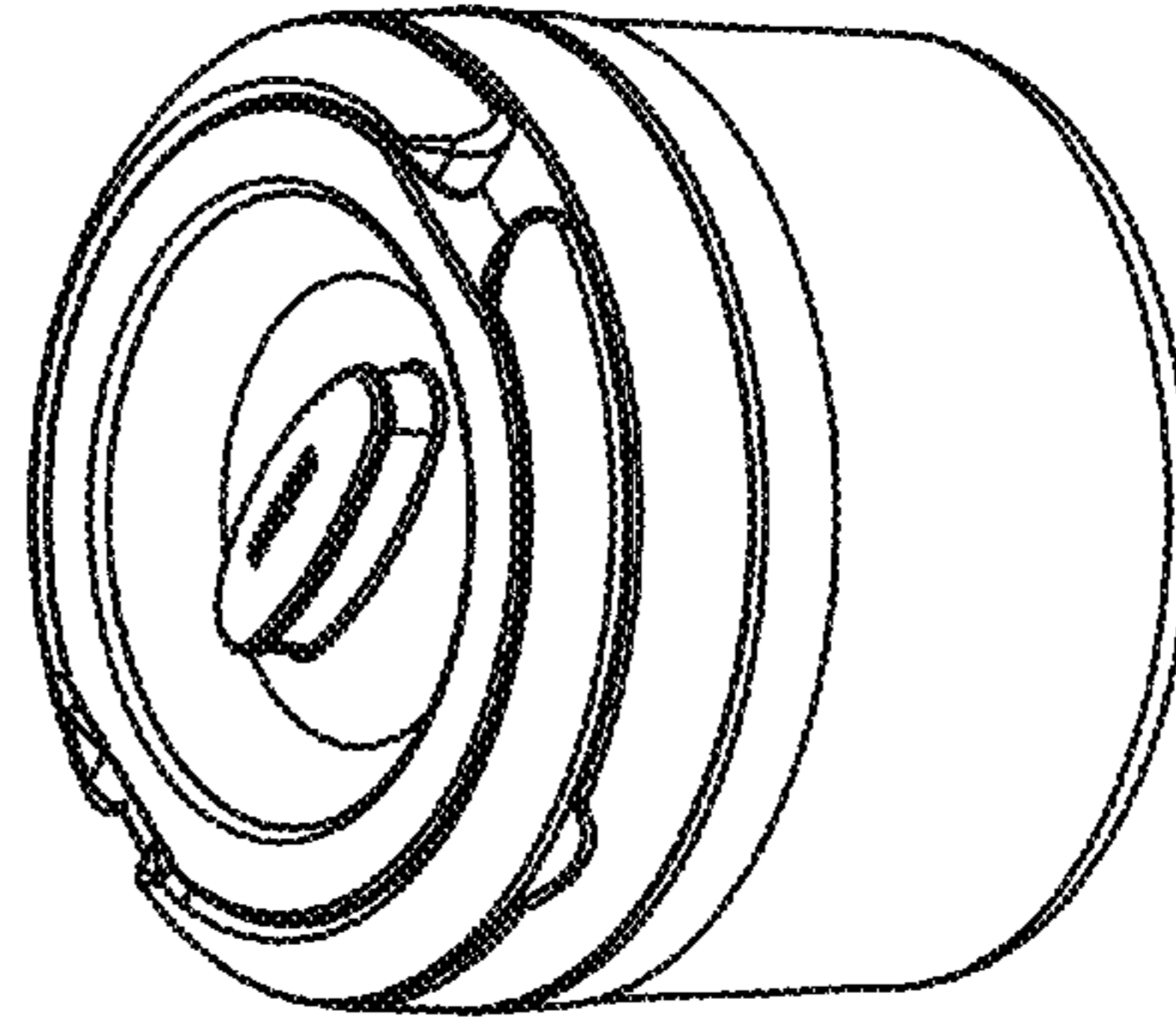


FIG. 6