



US00D867823S

(12) **United States Design Patent**
Jacobsen

(10) **Patent No.:** **US D867,823 S**

(45) **Date of Patent:** **** Nov. 26, 2019**

(54) **BACKPACK COOLER**

(71) Applicant: **RTIC IP, LLC**, Houston, TX (US)

(72) Inventor: **James Matthew Jacobsen**, Houston, TX (US)

(73) Assignee: **RTIC IP, LLC**, Houston, TX (US)

(**) Term: **15 Years**

(21) Appl. No.: **29/660,637**

(22) Filed: **Aug. 22, 2018**

(51) **LOC (12) Cl.** **07-01**

(52) **U.S. Cl.**
USPC **D7/607; D3/216**

(58) **Field of Classification Search**
USPC D7/603–608, 709, 710; D3/216, 283, D3/287, 289, 233, 267, 268, 273, 276, D3/315, 318

CPC F25D 2331/801; F25D 2331/804; F25D 3/08; F25D 3/06; F25D 23/12; B65D 30/08; B65D 30/22; B65D 81/3858; B65D 81/3823; B65D 81/3888; B65D 81/3897; B65D 81/18; B65D 31/04; B65D 69/00; B65D 8/18; A45C 11/20; A45C 13/02; A45F 3/04; A45F 3/02; A45F 3/12; A45F 3/14; A65D 53/00

See application file for complete search history.

(56) **References Cited**

U.S. PATENT DOCUMENTS

| | | | | | |
|-----------|------|---------|----------------|-------|------------------------|
| 4,767,039 | A * | 8/1988 | Jacober | | A45C 11/20 224/153 |
| 6,092,661 | A * | 7/2000 | Mogil | | A63B 55/408 150/106 |
| 6,237,776 | B1 * | 5/2001 | Mogil | | A45C 3/00 150/106 |
| 6,439,389 | B1 | 8/2002 | Mogil | | |
| 6,513,661 | B1 | 2/2003 | Mogil | | |
| 8,043,004 | B2 * | 10/2011 | Mogil | | A45C 5/02 206/541 |
| D732,348 | S | 6/2015 | Seiders et al. | | |

(Continued)

OTHER PUBLICATIONS

U.S. Appl. No. 26/614,786, filed Aug. 23, 2017, Jacobsen.

(Continued)

Primary Examiner — Terry A Wallace

(74) *Attorney, Agent, or Firm* — Fish & Richardson P.C.

(57) **CLAIM**

The ornamental design for a backpack cooler, as shown and described.

DESCRIPTION

FIG. 1 is a perspective view of a backpack cooler showing my new design.

FIG. 2 is a top view thereof.

FIG. 3 is a bottom view thereof.

FIG. 4 is a front view thereof.

FIG. 5 is a rear view thereof

FIG. 6 is a right side view thereof.

FIG. 7 is a left side view thereof; and,

FIG. 8 is a perspective of the backpack cooler showing my new design illustrated with the lid of the backpack cooler in an open position.

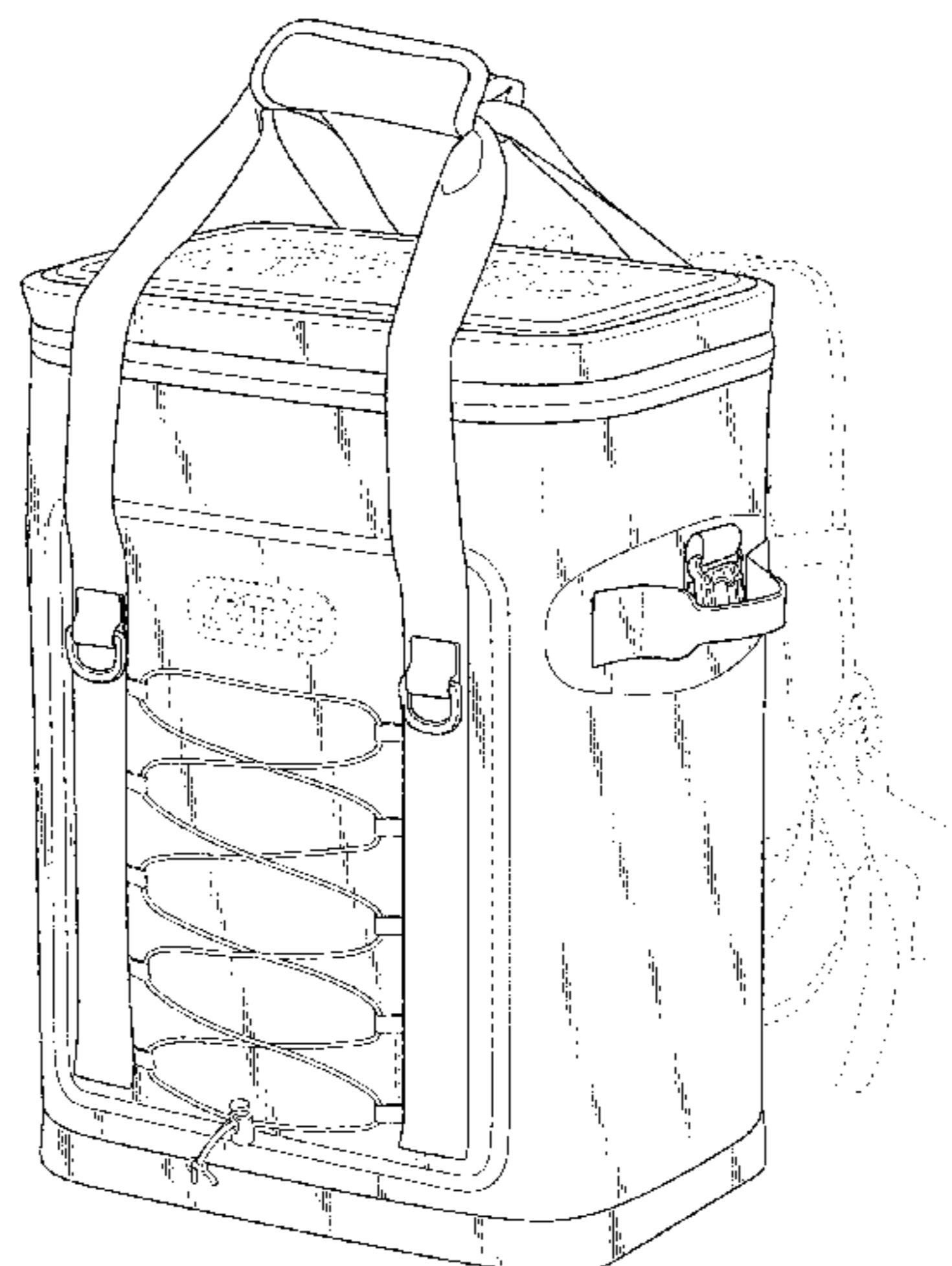
The dashed broken lines in the drawings illustrate shoulder straps, hip straps and back cushioning elements, all of which are for environmental structure and form no part of the claimed design.

The inside of the body portion of the backpack cooler is unclaimed.

The RTIC logo in the drawings is a registered trademark of RTIC IP LLC and forms no part of the claimed design.

The surface shading and contour lines in the drawings represent the contours and do not illustrate material, surface ornamentation, or surface decoration and the broken lines form no part of the claimed design.

1 Claim, 5 Drawing Sheets



(56)

References Cited

U.S. PATENT DOCUMENTS

D732,349 S 6/2015 Seiders et al.
 D732,350 S 6/2015 Seiders et al.
 D732,899 S 6/2015 Seiders et al.
 D752,347 S 3/2016 Seiders et al.
 D764,873 S * 8/2016 Collie D7/607
 D786,559 S 5/2017 Seiders et al.
 D786,560 S 5/2017 Seiders et al.
 D786,561 S 5/2017 Seiders et al.
 D786,562 S 5/2017 Seiders et al.
 D787,187 S 5/2017 Seiders et al.
 D797,454 S 9/2017 Seiders et al.
 D797,455 S 9/2017 Seiders et al.
 D798,670 S 10/2017 Seiders et al.
 D828,728 S 9/2018 Jacobsen
 D848,219 S 5/2019 Munie et al.
 D848,220 S 5/2019 Munie et al.
 D848,221 S 5/2019 Munie et al.
 D848,222 S 5/2019 Munie et al.
 D848,223 S 5/2019 Munie et al.
 D848,798 S 5/2019 Munie et al.
 D849,486 S 5/2019 Munie et al.
 2005/0133399 A1 * 6/2005 Fidrych A45F 3/04
 206/545
 2007/0237432 A1 * 10/2007 Mogil A45C 7/0077
 383/38
 2009/0184143 A1 * 7/2009 Witt A45C 7/0059
 224/153
 2012/0111912 A1 * 5/2012 Zheng A45C 15/00
 224/576
 2016/0244239 A1 8/2016 Nash
 2018/0098607 A1 4/2018 Seiders et al.

OTHER PUBLICATIONS

U.S. Appl. No. 29/662,422, filed Sep. 5, 2018, Jacobsen.
 ‘Amazon.com’ [online]. “Fatboy Kayak and Canoe Backpack Soft Cooler, Cardinal Red,” Published on or before Aug. 21, 2018, Retrieved from the Internet: URL<https://www.amazon.com/Fatboy-Kayak-Backpack-Cooler-Cardinal/dp/B01LXG2867/ref=sr_1_121?keywords=backpack+cooler&qid=1553190300&s=gateway&sr=8-121>. 5 pages.
 ‘Amazon.com’ [online]. “Igloo Sportsman Waterproof Backpack Cooler, Tan/Black/Orange, 17 Quart (16 L),” Published on or before Aug. 21, 2018, Retrieved from the Internet: URL<https://www.amazon.com/Igloo-Sportsman-Backpack/dp/B07213PMJY/ref=sr_1_188?keywords=backpack+cooler&qid=1553190344&s=gateway&sr=8-188>. 5 pages.
 ‘Amazon.com’ [online]. “TOURIT Leak-Proof Soft Sided Cooler Backpack Waterproof Insulated Backpack Cooler Bag Large Capacity Backpack with Cooler for Men Women to Picnics, Camping, Hiking, Fishing or Beach, 30 Cans,” Published on or before Aug. 21, 2018, Retrieved from the Internet: URL<https://www.amazon.com/TOURIT-Leak-Proof-Backpack-Waterproof-Insulated/dp/B07DQS7L2G/ref=sr_1_41?keywords=backpack+cooler&qid=1553190168&s=gateway&sr=8-41>. 11 pages.
 ‘Amazon.com’ [online]. “Under Armour Unisex Undeniable 3,” Published on or before Aug. 21, 2018, Retrieved from the Internet: URL<https://www.amazon.com/Under-Armour-Unisex-Undeniable-3/dp/B077KZ483Z/ref=sr_1_310?keywords=backpack&qid=1553216155&s=gateway&sr=8-310>. 8 pages.
 ‘Dickssportinggoods.com’ [online]. “Igloo Ringleader Hard Top Backpack Cooler,” Published on or before Aug. 21, 2018, Retrieved from the Internet: URL<https://www.dickssportinggoods.com/p/igloo-ringleader-hard-top-backpack-cooler-18iglarngldrhrtdpodr/18iglarngldrhrtdpodr?camp=CSE:DSG_92700040957686550_pla_pla-507516356095&gclid=CjwKCAjw7MzkBRAGEiwAkOXexKjpFOhqe_cKY0t10U7AVFsy1sPlpE81SrqecyhRvxs3E-dmTt_IxoCAVIQAvD_BwE&gclid=aw.ds>. 5 pages.

‘Dickssportinggoods.com’ [online]. “Igloo Ringleader HLC Bungee 12 Can Cooler,” Published on or before Aug. 21, 2018, Retrieved from the Internet: URL<https://www.dickssportinggoods.com/p/igloo-ringleader-hlc-bungee-12-can-cooler-18iglarngldrhlc12odr/18iglarngldrhlc12odr?recid=Product_PageElement_product_rr_4_9073_&rrec=true>. 5 pages.
 ‘Ebags.com’ [online]. “Fuel Fuel Top Loader Backpack,” Published on or before Aug. 21, 2018, Retrieved from the Internet: URL<<https://www.ebags.com/product/fuel/fuel-top-loader-backpack/299485?productid=10377480>>. 11 pages.
 ‘Ebags.com’ [online]. “Biaggi Zipsak Backsak,” Published on or before Aug. 21, 2018, Retrieved from the Internet: URL<<https://www.ebags.com/product/biaggi/zipsak-backsak/320763?productid=10463190>>. 11 pages.
 ‘Ebags.com’ [online]. “Briggs & Riley Kinzie Street Large Laptop Backpack,” Published on or before Aug. 21, 2018, Retrieved from the Internet: URL<<https://www.ebags.com/product/briggs-and-riley/kinzie-street-large-laptop-backpack/343465?productid=10574485>>. 11 pages.
 ‘Ebags.com’ [online]. “David King & Co. Multi Pocket Backpack,” Published on or before Aug. 21, 2018, Retrieved from the Internet: URL<<https://www.ebags.com/product/david-king-and-co/multi-pocket-backpack/203962?productid=10108425>>. 12 pages.
 ‘Ebags.com’ [online]. “Latico Leathers Explorer Laptop Backpack,” Published on or before Aug. 21, 2018, Retrieved from the Internet: URL<<https://www.ebags.com/product/latico-leathers/explorer-laptop-backpack/284522?productid=10337962>>. 12 pages.
 ‘Ebags.com’ [online]. “Le Donne Leather Computer Back Pack,” Published on or before Aug. 21, 2018, Retrieved from the Internet: URL<<https://www.ebags.com/product/le-donne-leather/computer-back-pack/144749?productid=10003728>>. 12 pages.
 ‘Ebags.com’ [online]. “Mobile Edge ScanFast Checkpoint Friendly Onyx Backpack,” Published on or before Aug. 21, 2018, Retrieved from the Internet: URL<<https://www.ebags.com/product/mobile-edge/scanfast-checkpoint-friendly-onyx-backpack/134311?productid=1348501>>. 12 pages.
 ‘Ebags.com’ [online]. “Outdoor Products Ripcord Hydration Pack,” Published on or before Aug. 21, 2018, Retrieved from the Internet: URL<<https://www.ebags.com/product/outdoor-products/ripcord-hydration-pack/305644?productid=10394602>>. 8 pages.
 ‘Ebags.com’ [online]. “Piel Multi-Pocket Laptop Backpack,” Published on or before Aug. 21, 2018, Retrieved from the Internet: URL<<https://www.ebags.com/product/piel/multi-pocket-laptop-backpack/202612?productid=10104428>>. 12 pages.
 ‘Ebags.com’ [online]. “Royce Leather Laptop Backpack,” Published on or before Aug. 21, 2018, Retrieved from the Internet: URL<<https://www.ebags.com/product/royce-leather/laptop-backpack/204102?productid=10108677>>. 12 pages.
 ‘Ebags.com’ [online]. “Travelon Anti-Theft Backpack,” Published on or before Aug. 21, 2018, Retrieved from the Internet: URL<<https://www.ebags.com/product/travelon/anti-theft-backpack/151227?productid=10668779>>. 11 pages.
 ‘Amazon.com’ [online]. “California Pak Calpak Night Vision 18-Inch Rubber Bottom Laptop Rolling,” Published on or before Aug. 22, 2017, Retrieved from the Internet: URL<<https://www.amazon.com/California-Pak-18-Inch-Rolling-Backpack/dp/B013FXT298/>>. 6 pages.
 ‘Amazon.com’ [online]. “Fatboy Fatpack Extreme Kayak and Canoe Floating Waterproof Dry Bag, Soft Cooler, Rugged Protective Backpack,” Published on or before Aug. 22, 2017, Retrieved from the Internet: URL<https://www.amazon.com/Fatboy-Floating-Waterproof-Protective-Backpack/dp/B01LX4NC2W/ref=sr_1_63?s=apparel&ie=UTF8&qid=1506960124&sr=1-63&nodeID=7141123011&psd=1&keywords=cooler+backpack>. 6 pages.
 ‘Amazon.com’ [online]. “IceMule Coolers Pro Coolers,” Published on or before Aug. 22, 2017, Retrieved from the Internet: URL<https://www.amazon.com/IceMule-Coolers-Grey-Large-20-Liter/dp/B00IYJ7NR2/ref=sr_1_41?ie=UTF8&qid=1506960369&sr=8-41&keywords=cooler+backpack>. 5 pages.
 ‘Amazon.com’ [online]. “Koshanra Insulated Backpack Cooler,” Published on or before Aug. 22, 2017, Retrieved from the Internet: URL<<https://www.amazon.com/Koshanra-Insulated-Backpack->

(56)

References Cited

OTHER PUBLICATIONS

Cooler/dp/B01NAU67YE/ref=sr_1_54?s=apparel&ie=UTF8&qid=1506960124&sr=1-54&nodeID=7141123011&psd=1&keywords=cooler+backpack>. 5 pages.

'Amazon.com' [online]. "Kysek Trekker Backpack Ice Chest, Grey, One Size," Published on or before Aug. 22, 2017, Retrieved from the Internet: URL<https://www.amazon.com/Kysek-Trekker-Backpack-Chest-Grey/dp/B01N2HPDVW/ref=sr_1_55?s=apparel&ie=UTF8&qid=1506960124&sr=1-55&nodeID=7141123011&psd=1&keywords=cooler+backpack>. 5 pages.

'Amazon.com' [online]. "Large Insulated Soft Cooler Backpack 28-Can (Camo)" Published on or before Aug. 22, 2017, Retrieved from the Internet: URL<https://www.amazon.com/Large-Insulated-Cooler-Backpack-28-Can/dp/B01ILFBSCF/ref=sr_1_83?s=apparel&ie=UTF8&qid=1506960124&sr=1-83&nodeID=7141123011&psd=1&keywords=cooler+backpack>. 4 pages.

'Amazon.com' [online]. "Nupla 67419 Black Label Rubber Bottom Back Pack, 1680 Dernier Ballistic Material," Published on or before Aug. 22, 2017, Retrieved from the Internet: URL<<https://www.amazon.com/Nupla-67419-Dernier-Ballistic-Material/dp/B00KRCU1SW>>. 6 pages.

'Amazon.com' [online]. "Patagonia Black Hole Pack 32L Navy Blue w/Paintbrush Red," Published on or before Aug. 22, 2017, Retrieved from the Internet: URL<https://www.amazon.com/Patagonia-Black-Hole-Pack-Paintbrush/dp/B073GXMDYG/ref=sr_1_1?s=apparel&ie=UTF8&qid=1506959887&sr=1-1&nodeID=7141123011&psd=1&keywords=Patagonia+Black+Hole%E2%84%A2+Backpack+32L>. 5 pages.

'Amazon.com' [online]. "Patagonia Lightweight Travel Tote Pack (Purple)" Published on or before Aug. 22, 2017, Retrieved from the Internet: URL<https://www.amazon.com/Patagonia-Lightweight-Travel-Tote-1343cu/dp/B01MY8LXHM/ref=sr_1_1?ie=UTF8&qid=1506959764&sr=8-1&keywords=Patagonia%2BLightweight%2BTravel%2BTote%2BPack%2B22L&th=1>. 6 pages.

'Amazon.com' [online]. "Timbuk2 Rogue Laptop Backpack," Published on or before Aug. 22, 2017, Retrieved from the Internet: URL<https://www.amazon.com/dp/B00HSHKXMI/ref=as_li_ss_tl?ie=UTF8&linkCode=s11&tag=mattheavy-20&linkId=5e0f6e35df08d2b40b2ffae367380de4>. 9 pages.

'Amazon.com' [online]. "Waterproof 2-in-1 Dry Bag Leak Proof Cooler Backpack," Published on or before Aug. 22, 2017, Retrieved from the Internet: URL<https://www.amazon.com/Waterproof-Leak-Proof-Cooler-Backpack/dp/B071LKS265/ref=sr_1_64?s=apparel&ie=UTF8&qid=1506960124&sr=1-64&nodeID=7141123011&psd=1&keywords=cooler+backpack>. 4 pages.

'Anypromo.com' [online]. "iCOOL™ Extreme Waterproof Cooler Backpack," Published on or before Aug. 22, 2017, Retrieved from the Internet: URL<https://www.anypromo.com/bags-luggage/lunch-bags-cooler/cool-extreme-waterproof-cooler-backpack-p745858?utm_source=PLA&utm_medium=PC&utm_campaign=745858&s=1&glppc=1&gclid=EAAlaQobChMImvCmzJXB1gIVAYy9Ch0opwYyEAKYCCABEgKpQvD_BwE>. 3 pages.

'Timberland.com' [online]. "Crofton 24-Liter Waterproof Backpack," Published on or before Aug. 22, 2017, Retrieved from the Internet: URL<<https://www.timberland.com/shop/crofton-24-liter-waterproof-backpack-black-alc4001>>. 2 pages.

* cited by examiner

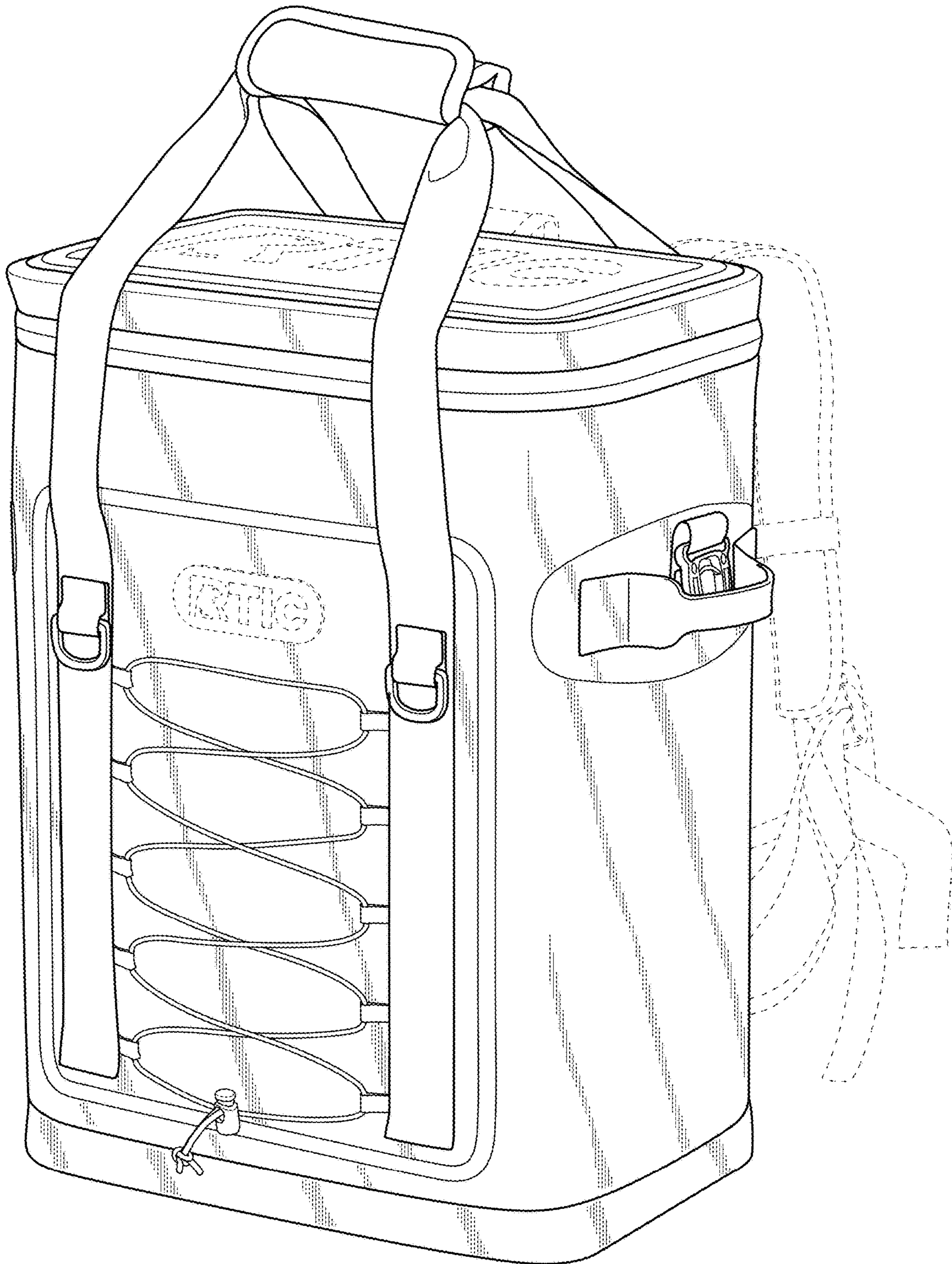


Fig.1

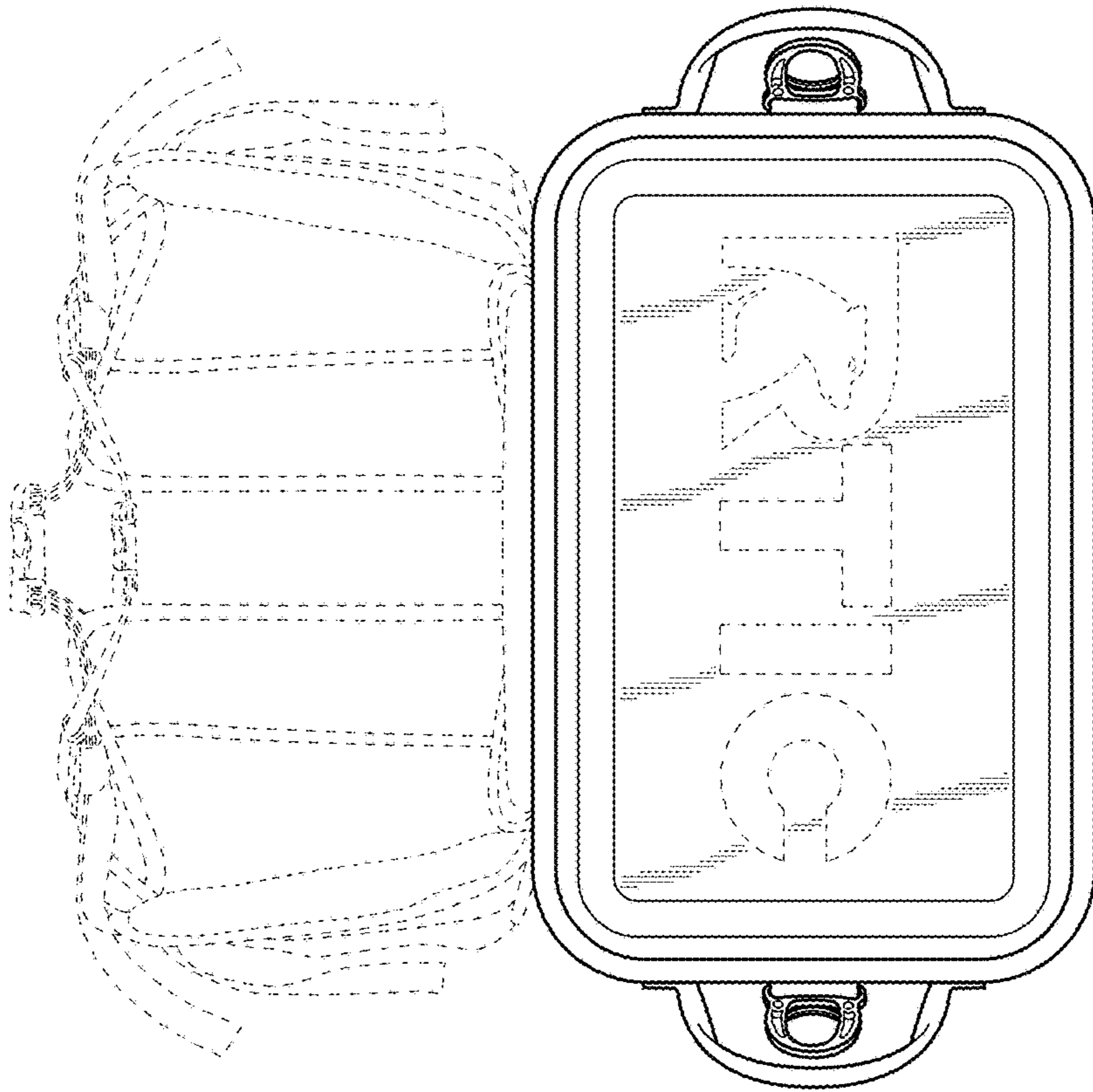


Fig.3

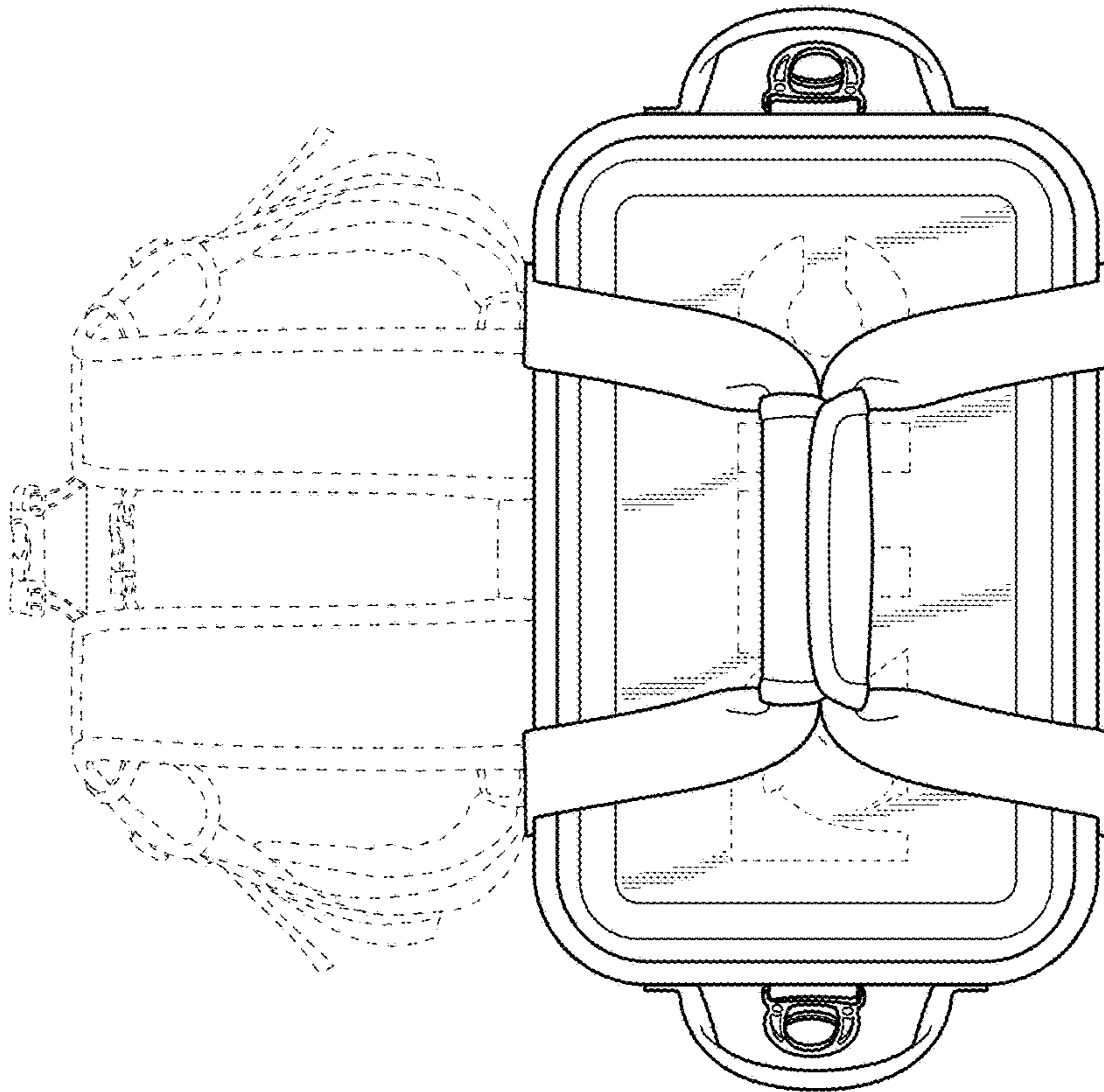
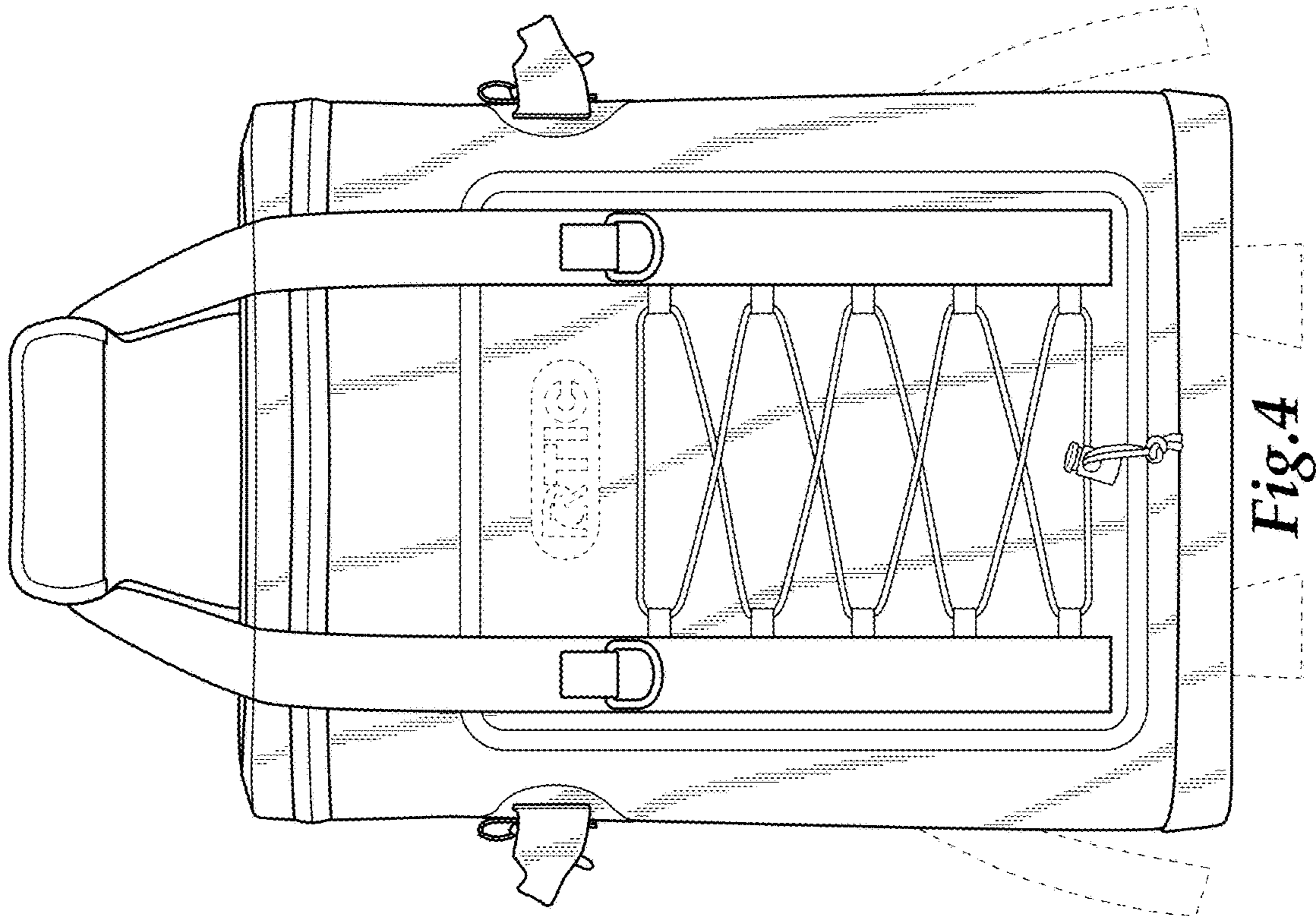
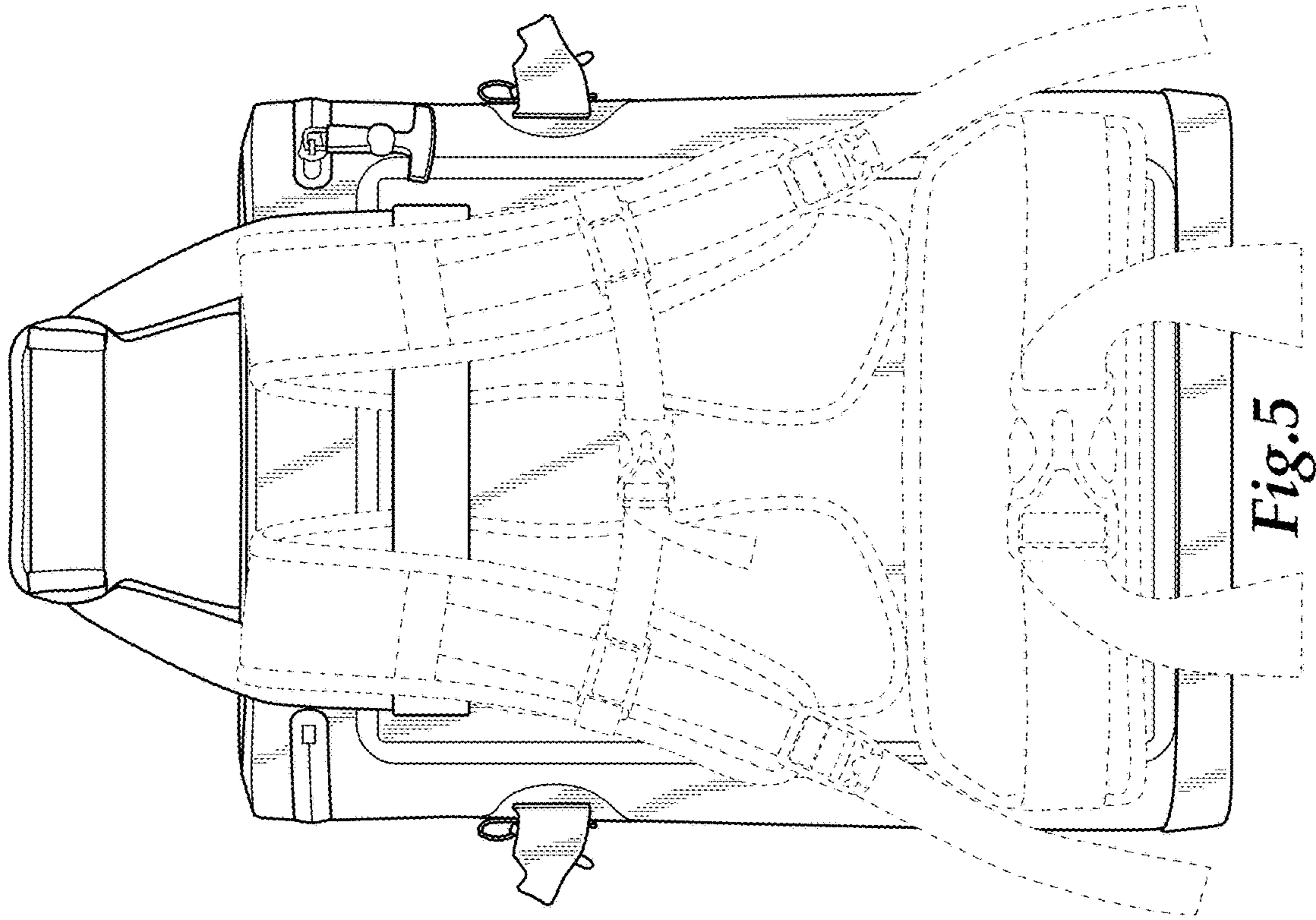


Fig.2



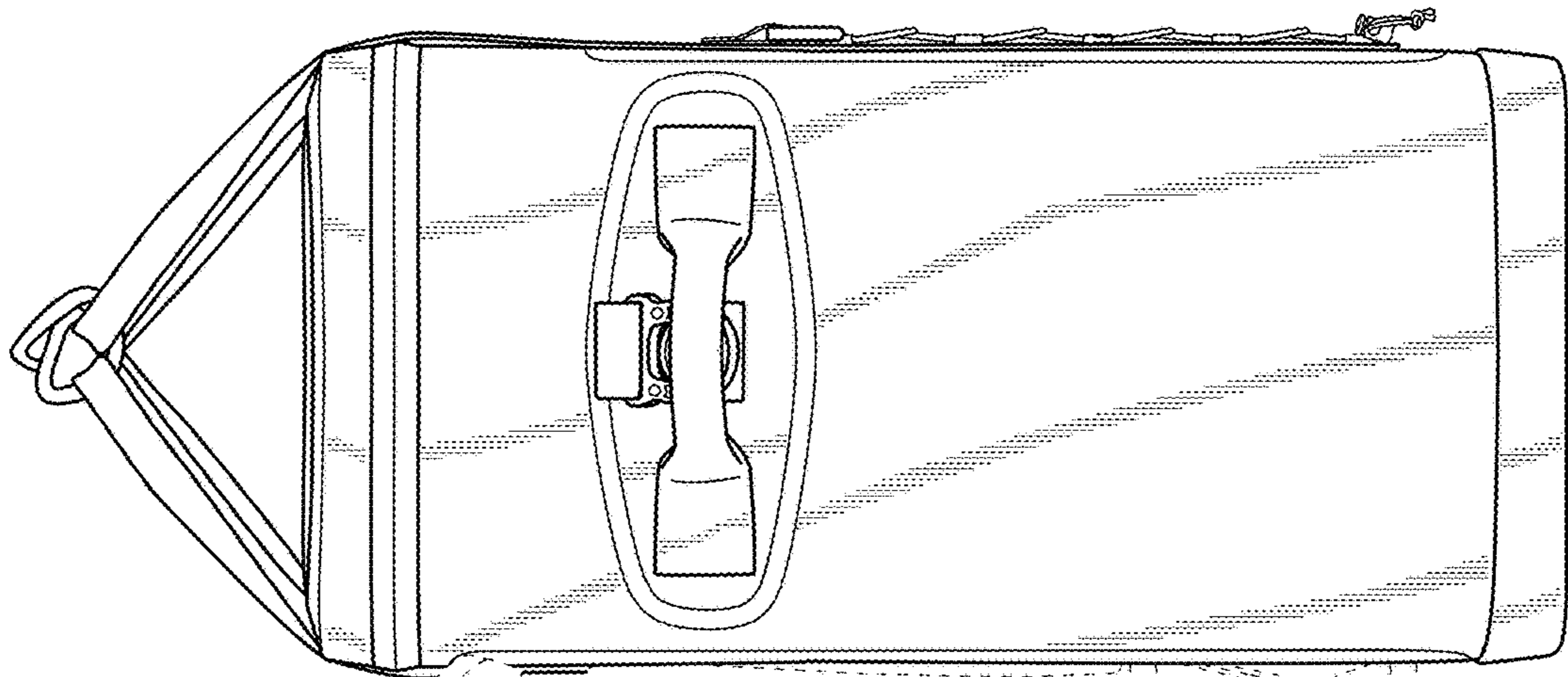


Fig. 7

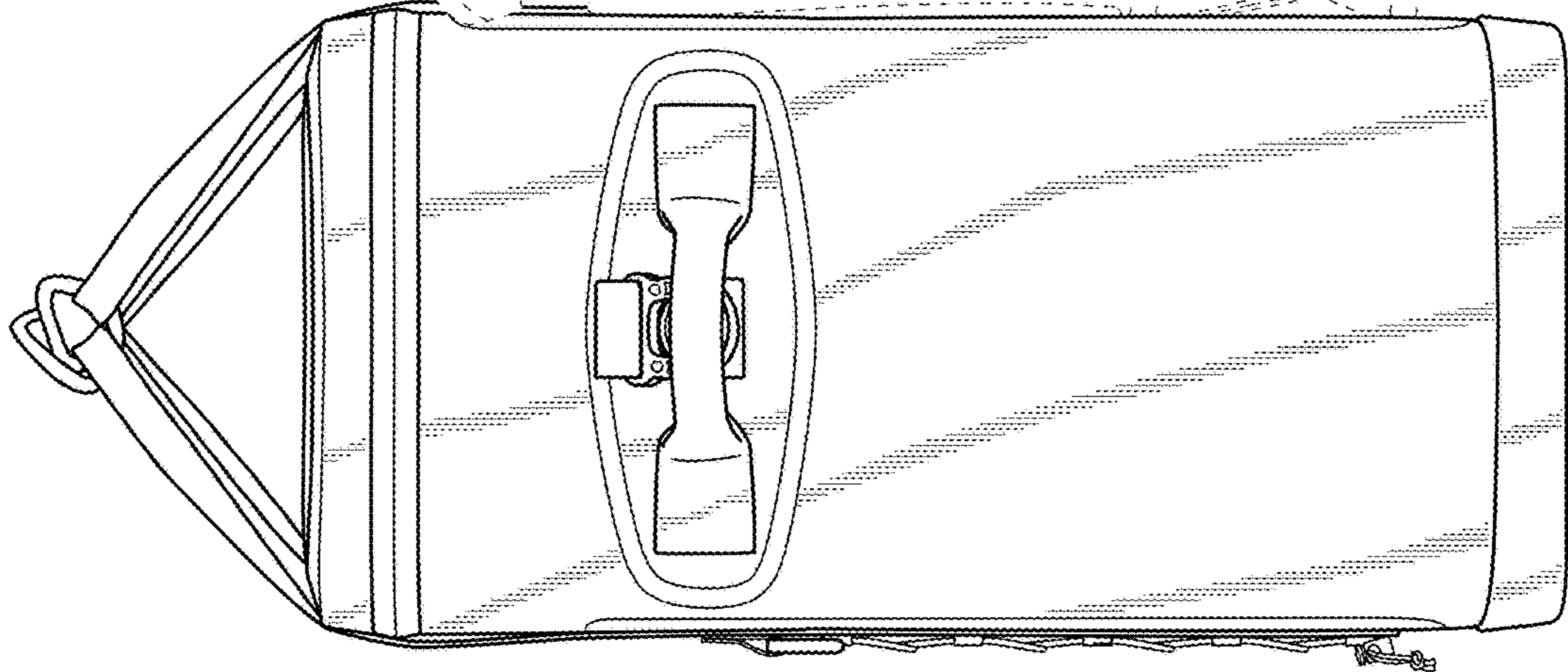
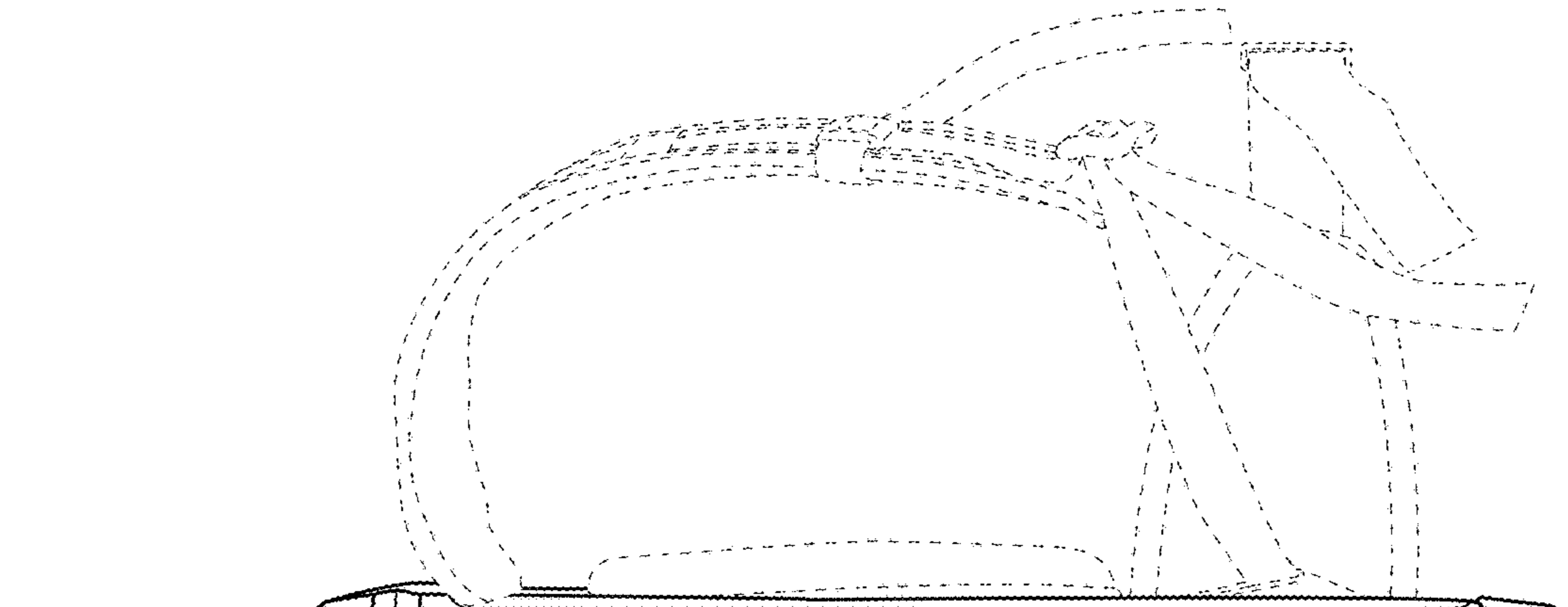
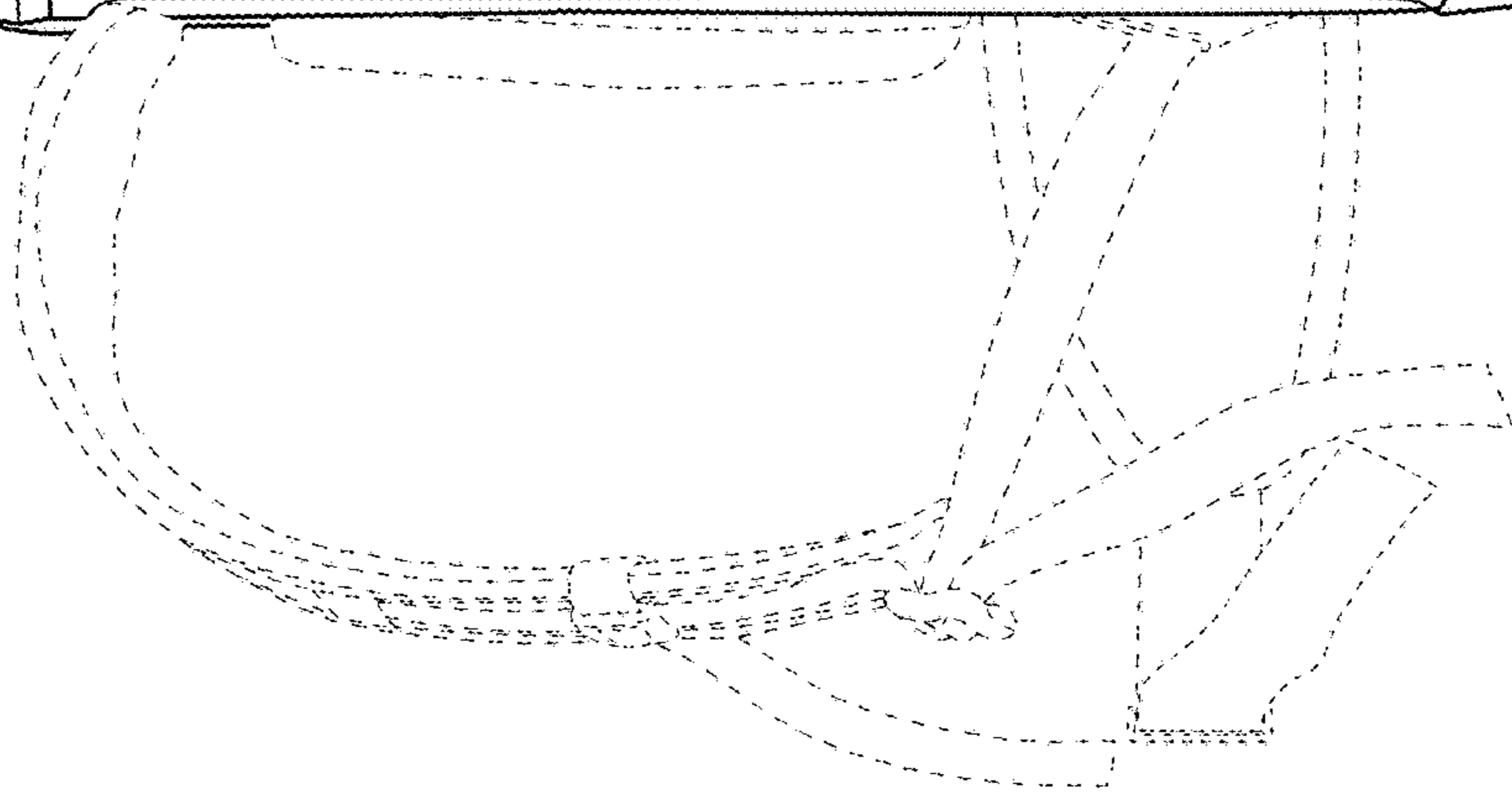


Fig. 6

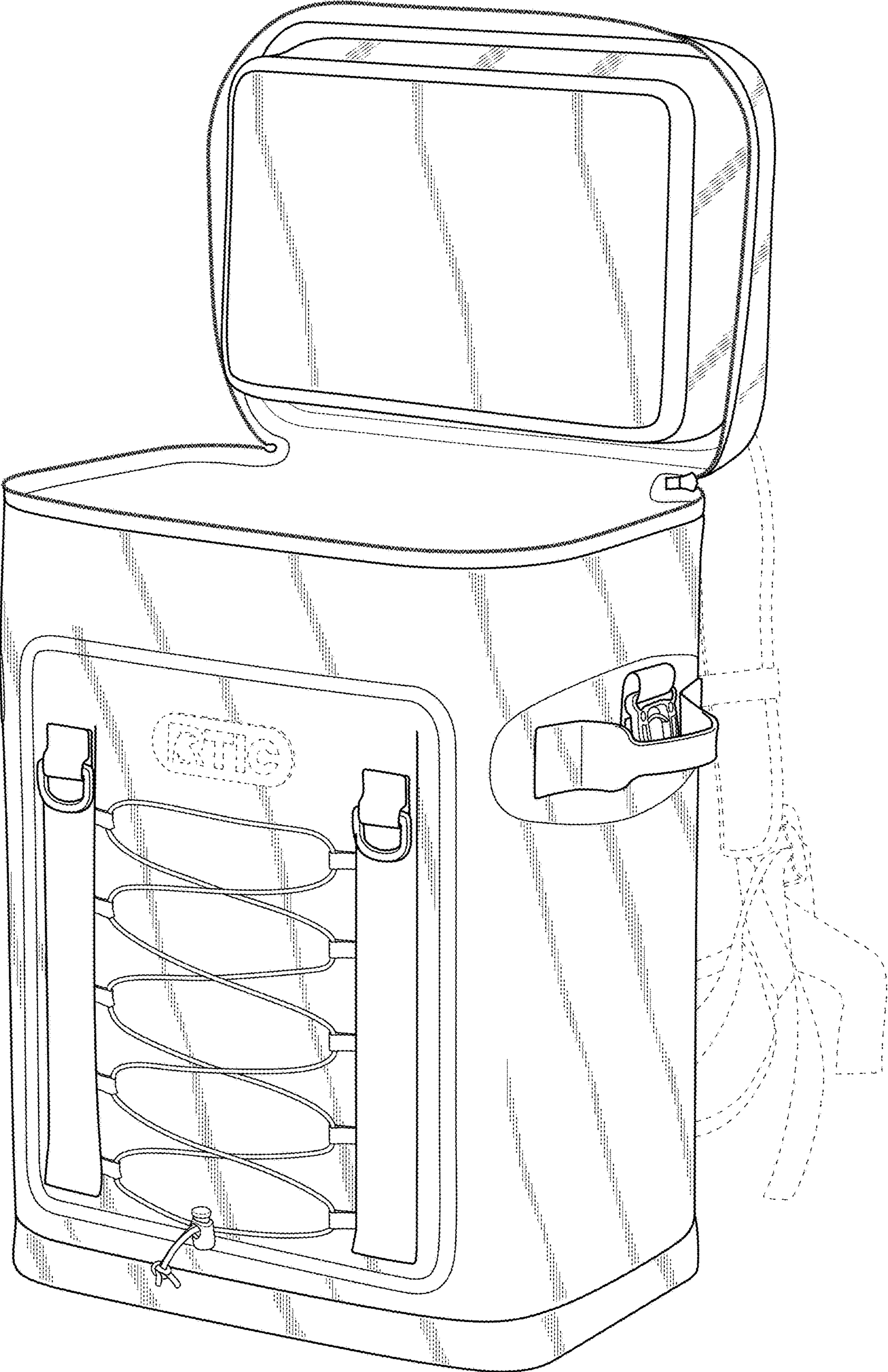


Fig.8