



US00D867817S

(12) **United States Design Patent** (10) **Patent No.:** **US D867,817 S**
Wimmer et al. (45) **Date of Patent:** **** Nov. 26, 2019**

(54) **BURNER COVER**
(71) Applicant: **SCHOTT Corporation**, Elmsford, NY (US)
(72) Inventors: **Zachary D. Wimmer**, Louisville, KY (US); **Theodore A. Wegert**, Louisville, KY (US)
(73) Assignee: **SCHOTT CORPORATION**, Elmsford, NY (US)

5,735,260 A 4/1998 Rimback
5,878,739 A 3/1999 Guidry
6,125,838 A 10/2000 Hedgpeth
D441,604 S * 5/2001 Valdez D7/406
D443,795 S * 6/2001 Rimback D7/402
D474,371 S * 5/2003 Lor D7/402
6,763,824 B1 7/2004 Hsu
6,966,253 B2 11/2005 Witzel
D559,098 S * 1/2008 Wilbur D9/417
D585,702 S * 2/2009 Borovicka D7/409

(Continued)

(**) Term: **15 Years**
(21) Appl. No.: **29/639,545**

FOREIGN PATENT DOCUMENTS

AU 2010202673 7/2011
AU 2011101307 11/2011

(Continued)

(22) Filed: **Mar. 7, 2018**
(51) **LOC (12) Cl.** **07-02**
(52) **U.S. Cl.**
USPC **D7/407**
(58) **Field of Classification Search**
USPC D7/402-409, 332, 337, 339-341,
D7/346-349, 350.1-351, 362-363, 323,
D7/550.1, 552.1, 554.3, 554.4; D8/315,
D8/300, 394, 395, 396, 384, 354;
D6/705, 574, 681.2, 691.9, 648.2, 654
CPC A47J 37/0786; F24C 15/16; F24C 3/082;
F24C 3/085; F24C 7/083
See application file for complete search history.

Primary Examiner — Sheryl Lane
Assistant Examiner — Nicole C Shiflet
(74) *Attorney, Agent, or Firm* — Ohlandt, Greeley,
Ruggiero & Perle. L.L.P.

(56) **References Cited**

U.S. PATENT DOCUMENTS

D91,639 S * 2/1934 Stulik 126/25 R
D131,167 S * 1/1942 Smallen D7/406
3,482,760 A * 12/1969 Boehm B65D 5/0254
229/115
3,704,703 A 12/1972 Takase
D305,291 S * 1/1990 Klev D7/402
5,617,778 A 4/1997 Schroeter
D391,117 S * 2/1998 Law D7/416

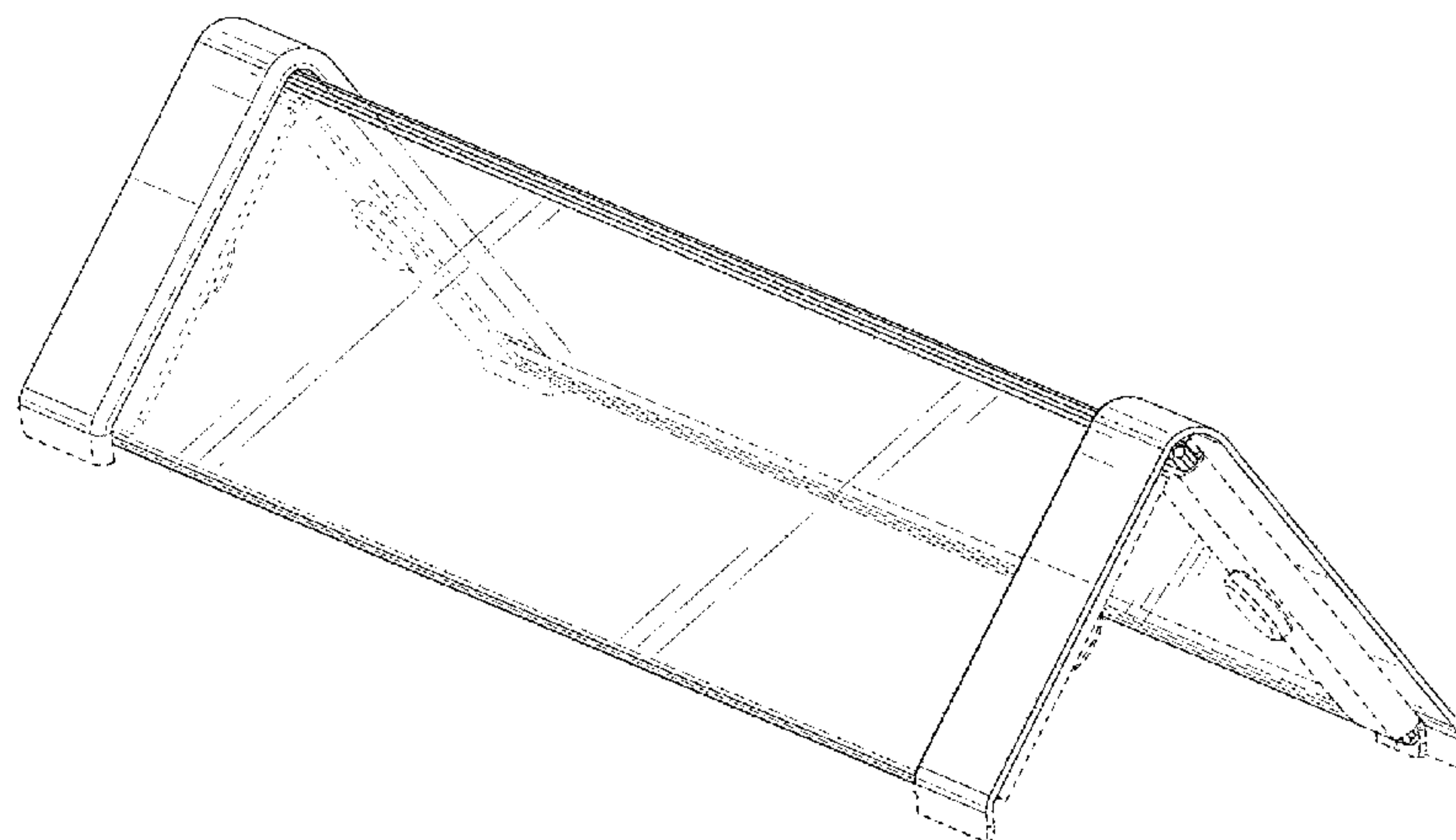
(57) **CLAIM**

The ornamental design for a burner cover, as shown and described.

DESCRIPTION

FIG. 1 is a perspective view of the burner cover of the present disclosure.
FIG. 2 is a first elevation view of the burner cover of FIG. 1;
FIG. 3 is a second elevation view of the burner cover of FIG. 1;
FIG. 4 is a top plan view of the burner cover of FIG. 1; and,
FIG. 5 is a bottom plan view of the burner cover of FIG. 1.
The broken lines in the drawings depict environmental structure and boundaries, and form no part of the claimed design.

1 Claim, 4 Drawing Sheets



(56)

References Cited

U.S. PATENT DOCUMENTS

7,866,256 B2 * 1/2011 Frigo A23B 4/044
99/340
8,037,879 B2 10/2011 Murrin
8,113,191 B2 2/2012 Hong
8,234,973 B1 8/2012 Rhee
8,662,070 B2 3/2014 Johnston
8,875,622 B2 11/2014 Chung
D722,819 S 2/2015 Lu
9,097,428 B2 8/2015 Tang
D747,922 S * 1/2016 Borovicka D7/402
9,492,032 B2 11/2016 Chung
9,504,352 B2 11/2016 Lin
2001/0017132 A1 8/2001 Yokoyama
2002/0011244 A1 1/2002 Giebel
2004/0025862 A1 2/2004 Lor
2005/0009816 A1 1/2005 Gouliaev
2005/0284461 A1 12/2005 Hsu
2006/0112949 A1 6/2006 Ducate
2009/0255414 A1 10/2009 Wang
2010/0139650 A1 6/2010 Pritchard
2012/0138046 A1 6/2012 Kyte
2012/0266856 A1 10/2012 Zelek

FOREIGN PATENT DOCUMENTS

FR 2305689 10/1976
WO 2008086564 7/2008

* cited by examiner

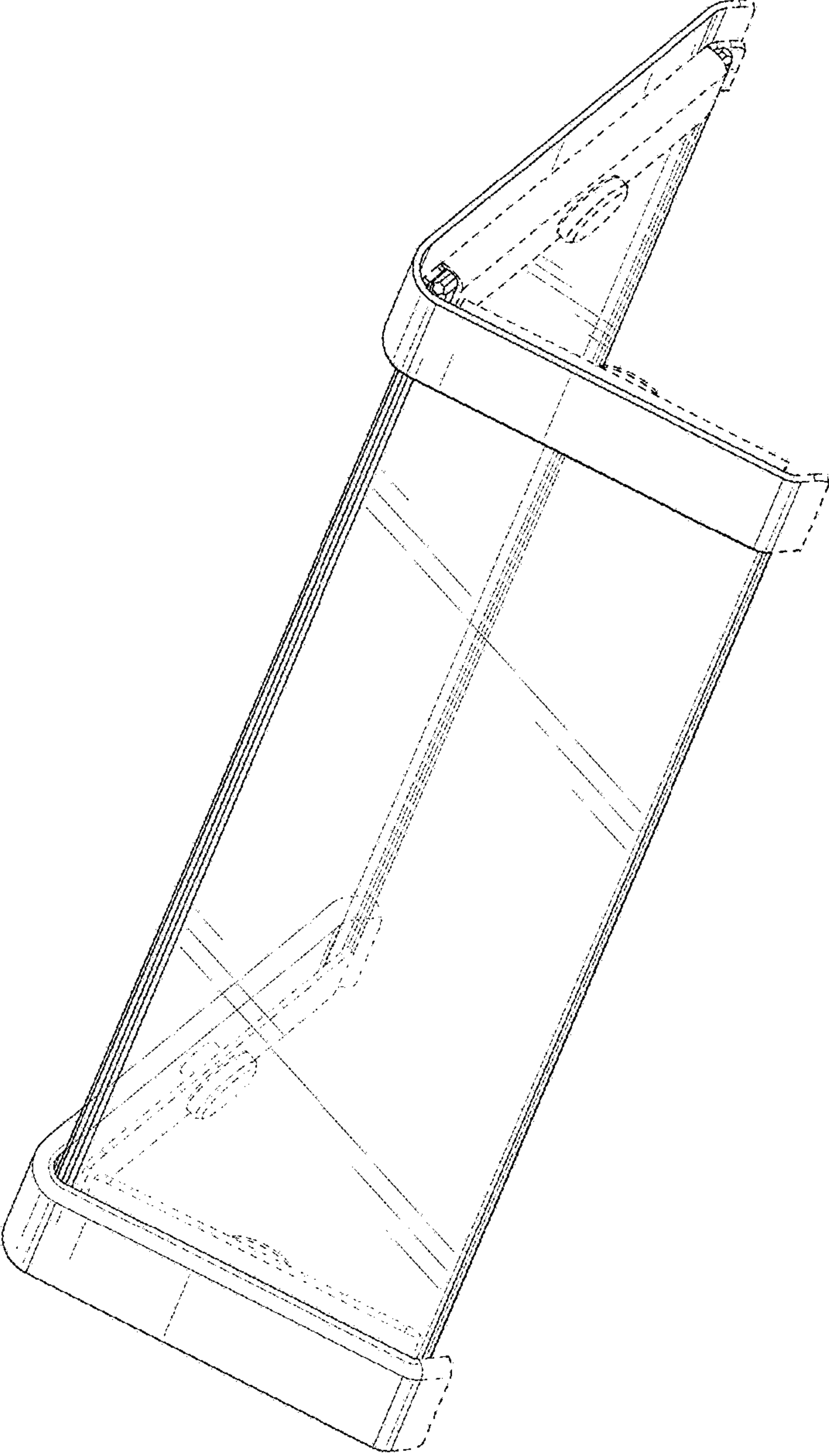


FIG. 1

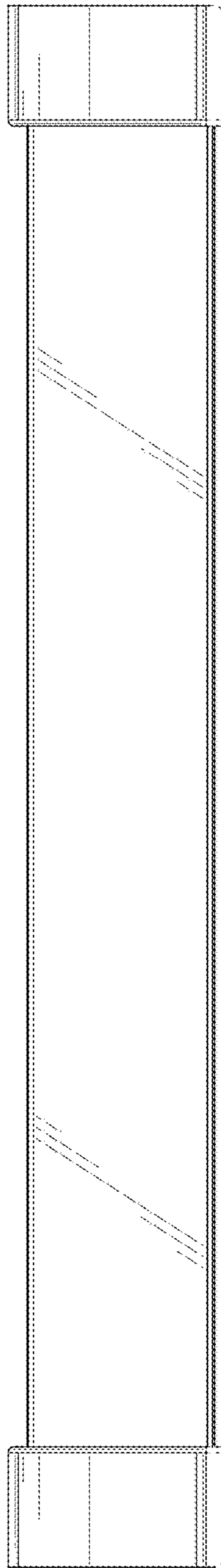


FIG. 2

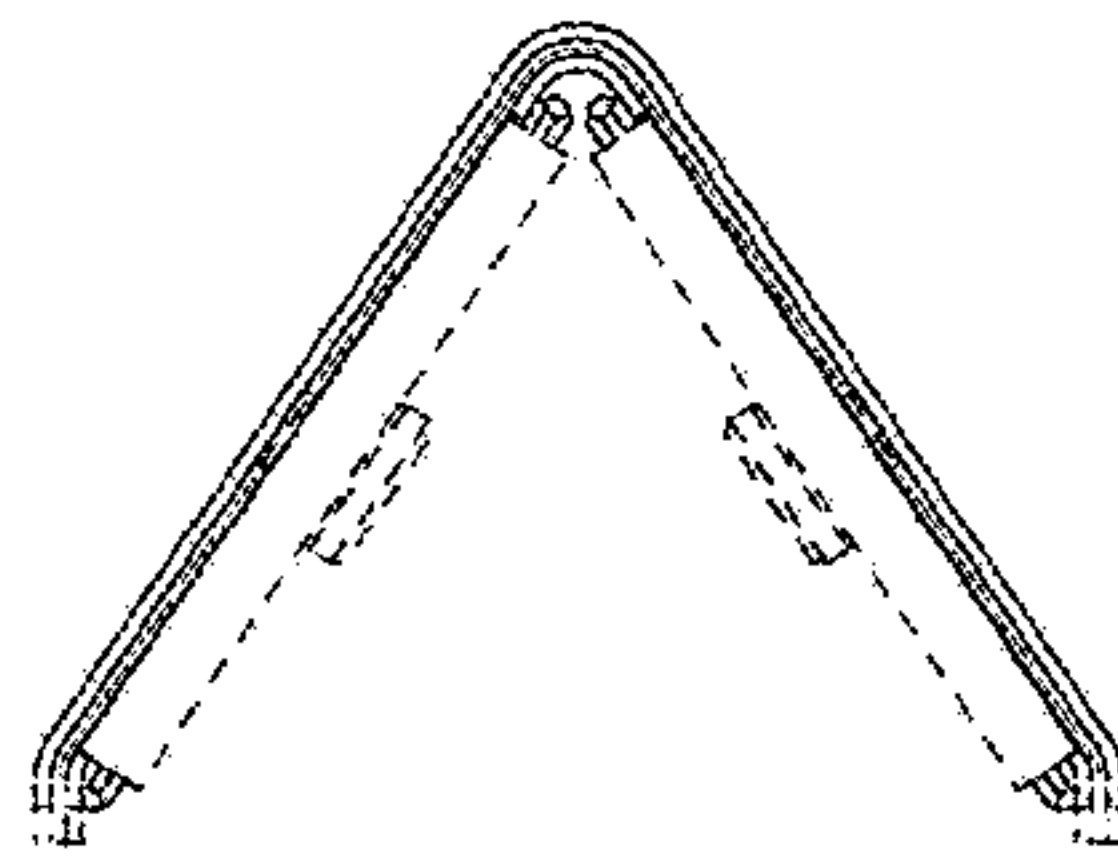


FIG. 3

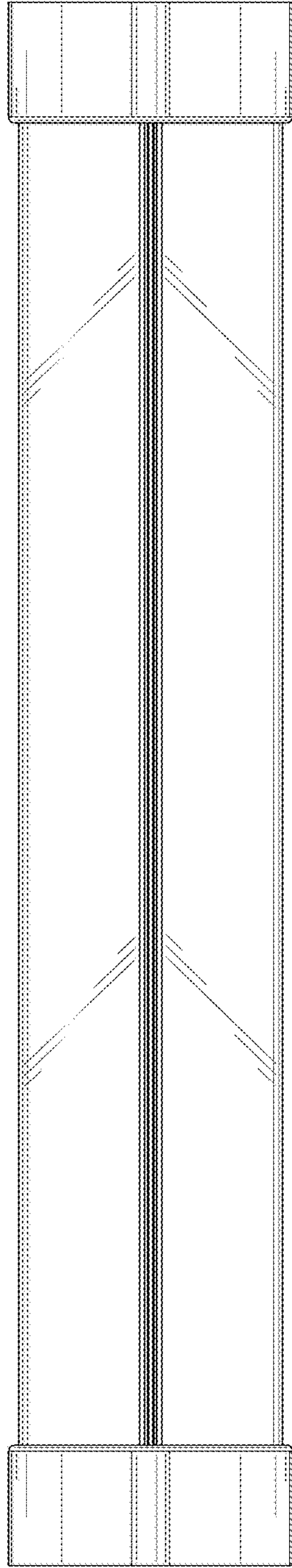


FIG. 4

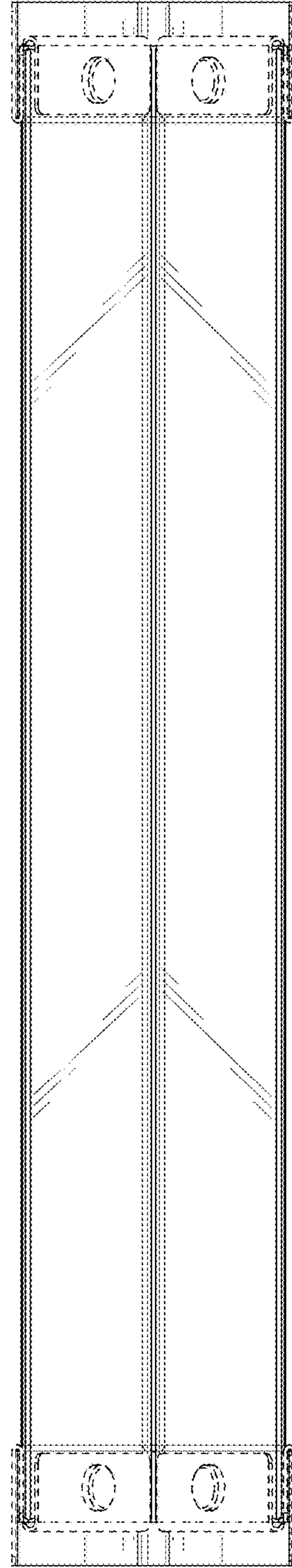


FIG. 5