

US00D867816S

(12) **United States Design Patent** (10) **Patent No.:** **US D867,816 S**
Kovalevski (45) **Date of Patent:** **** Nov. 26, 2019**

(54) **TEA INFUSER**

(71) Applicant: **Juri Kovalevski**, Harju county (EE)

(72) Inventor: **Juri Kovalevski**, Harju county (EE)

(**) Term: **15 Years**

(21) Appl. No.: **29/656,603**

(22) Filed: **Jul. 13, 2018**

(30) **Foreign Application Priority Data**

Jan. 13, 2018 (EM) 004665206-0002
Jan. 13, 2018 (EM) 004665206-0004

(51) **LOC (12) Cl.** **07-99**

(52) **U.S. Cl.**
USPC **D7/400; D7/667**

(58) **Field of Classification Search**
USPC D7/397, 399, 400, 368, 665, 667, 666,
D7/678; D17/22, 99; D21/398, 399,
D21/405, 406
CPC . A47J 31/00; A47J 31/06; A47J 31/44; A47G
19/12; A47G 19/16; G10D 13/003; G10D
17/00

See application file for complete search history.

(56) **References Cited**

U.S. PATENT DOCUMENTS

D428,298 S * 7/2000 Cohen D21/406
7,614,321 B2 * 11/2009 Cohen B67B 7/403
7/151

D689,119 S * 9/2013 Lochen D17/10
D691,418 S * 10/2013 Minton D7/399
D732,890 S * 6/2015 Connors D7/397
D810,513 S * 2/2018 McCoy D7/514
D815,896 S * 4/2018 Fan D7/400
D820,638 S * 6/2018 Chitayat D7/400
2013/0122161 A1 * 5/2013 Cole C12H 1/0432
426/271
2013/0140721 A1 * 6/2013 Borden B01F 5/0428
261/76

OTHER PUBLICATIONS

Integrated hourglass timer infuser | posted at Lakeland.co.uk, reviews posted on Nov. 25, 2017 [online], [site visited Aug. 15, 2019]. Available from Internet, <URL:https://www.lakeland.co.uk/45887/Tea-Infuser-with-Integrated-Hourglass-Timer> (Year: 2017).*

* cited by examiner

Primary Examiner — Derrick E Holland
Assistant Examiner — Andrew Kerr
(74) *Attorney, Agent, or Firm* — Berggren LLP

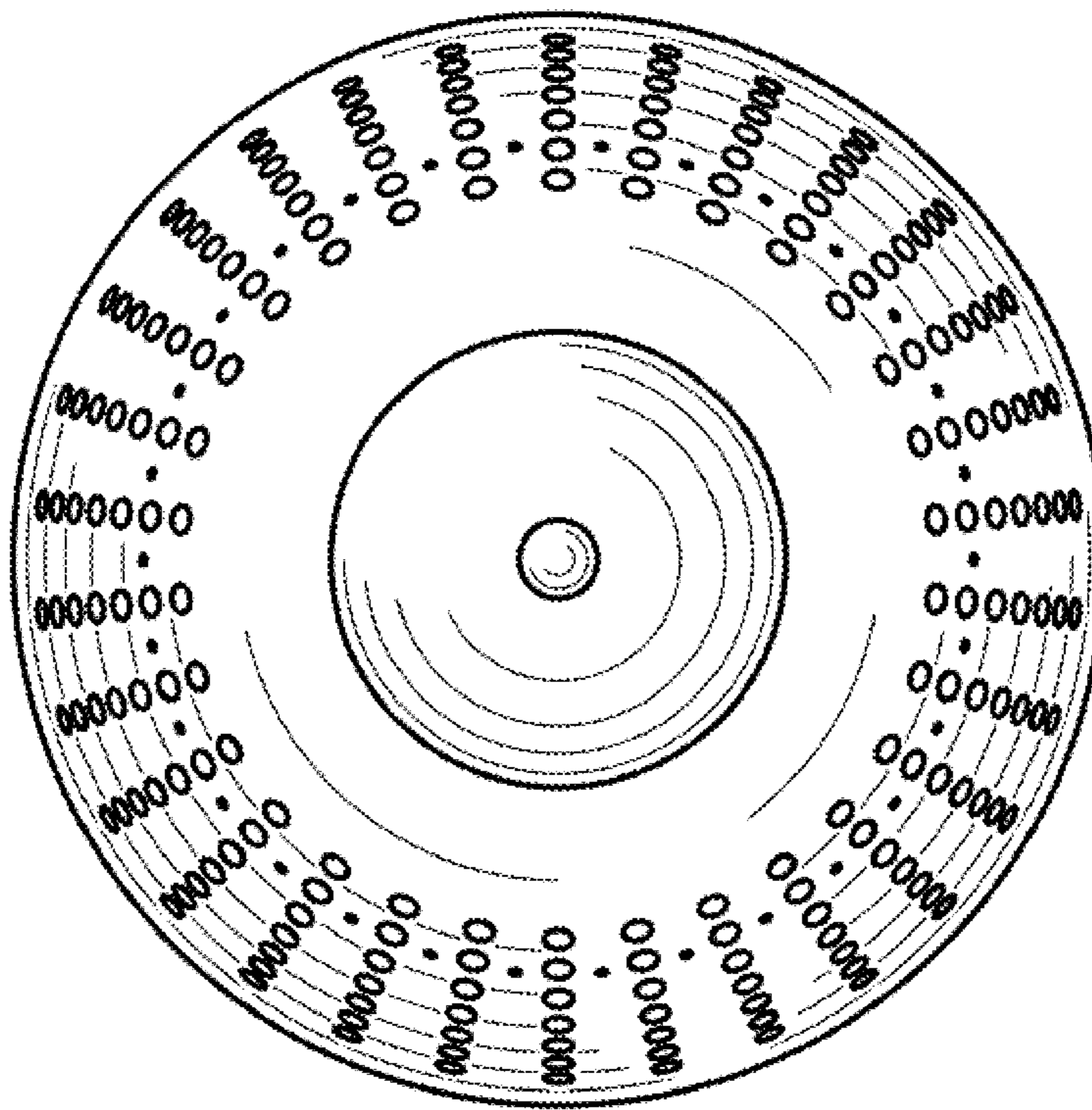
(57) **CLAIM**

The ornamental design for a tea infuser, as shown and described.

DESCRIPTION

FIG. 1 is a top view of a tea infuser, showing my new design; FIG. 2 is a bottom view thereof; FIG. 3 is a perspective view thereof; FIG. 4 is a side view thereof; and, FIG. 5 is another side view thereof.

1 Claim, 2 Drawing Sheets



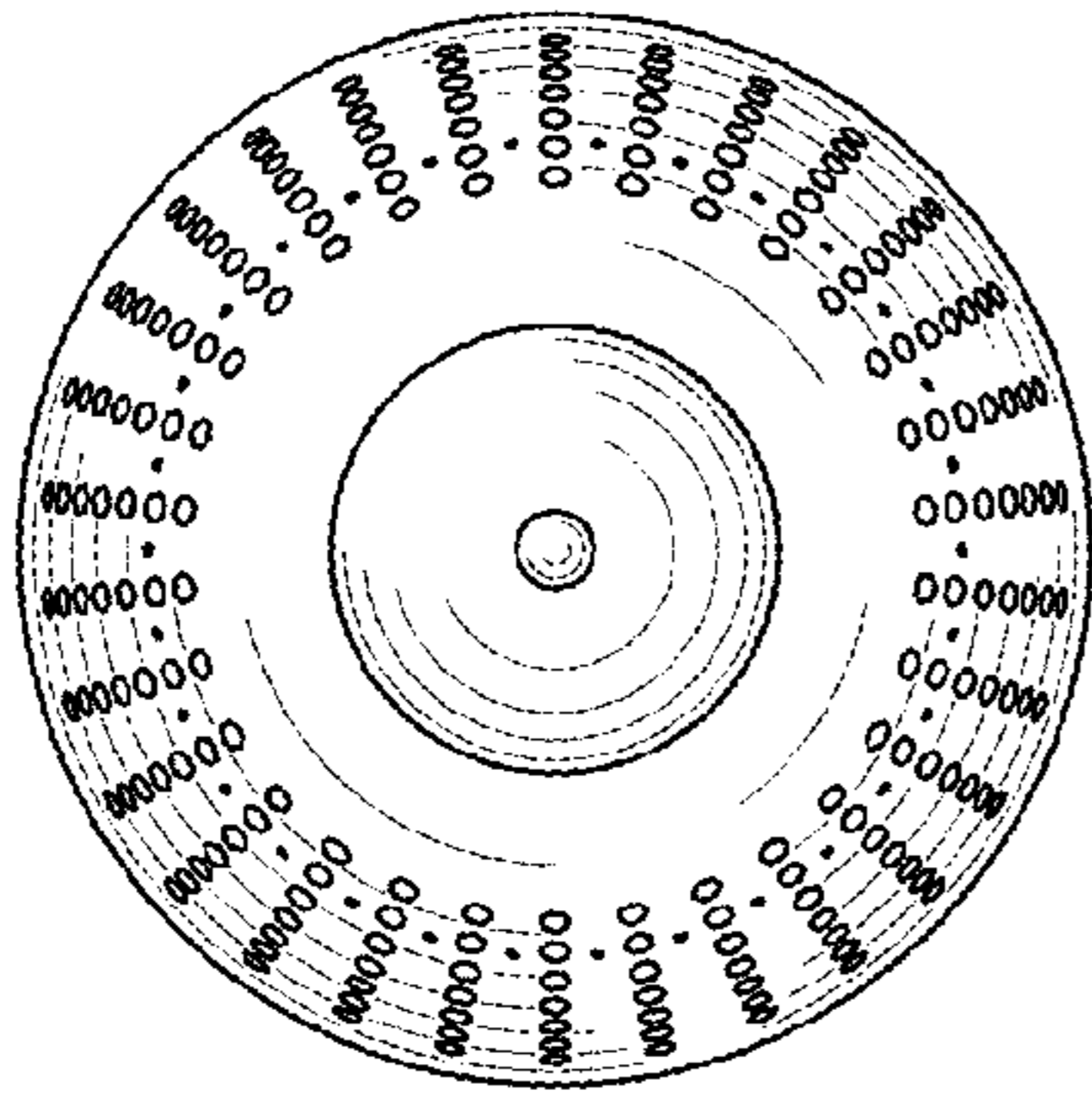


FIG. 1

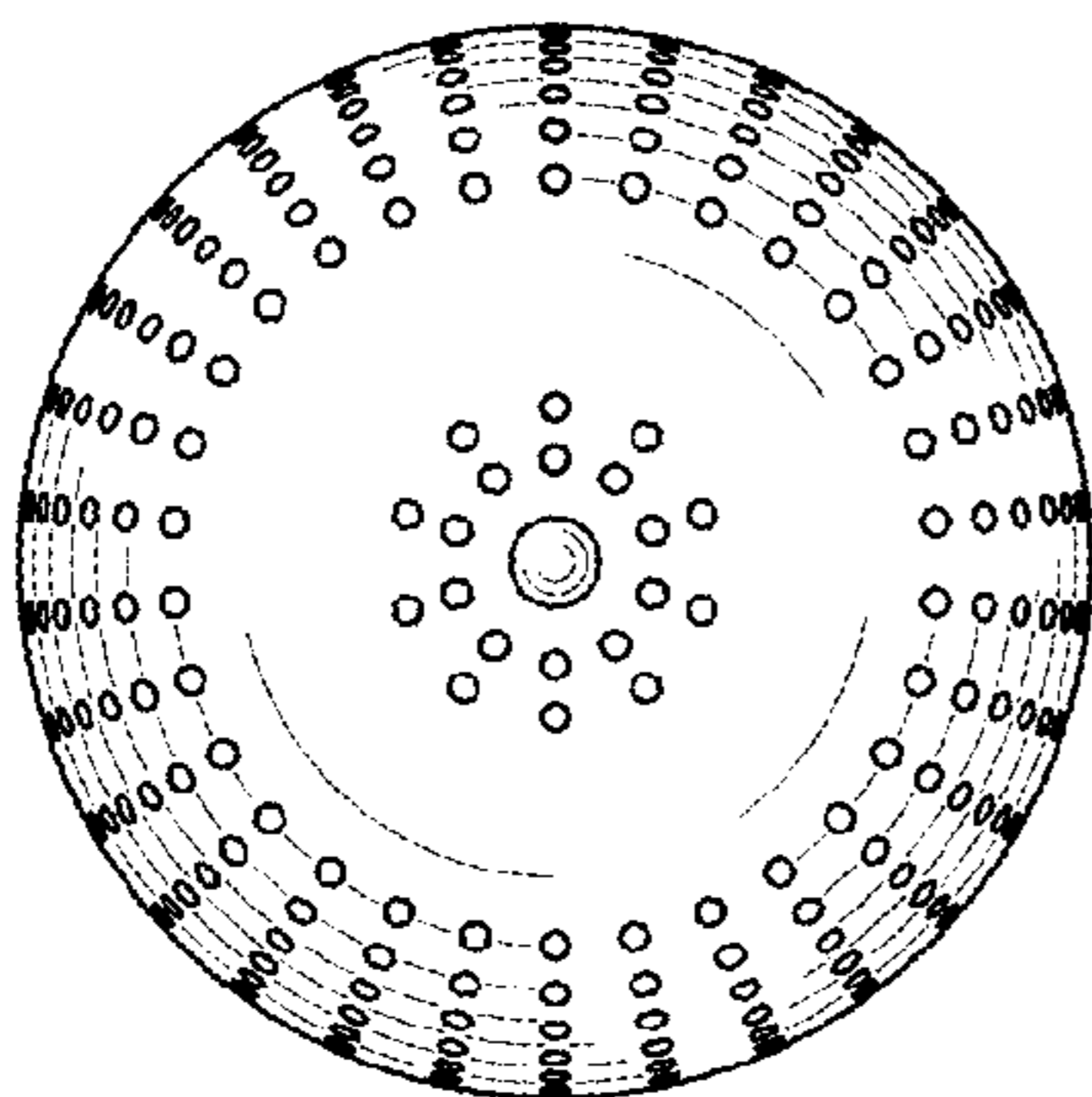


FIG. 2

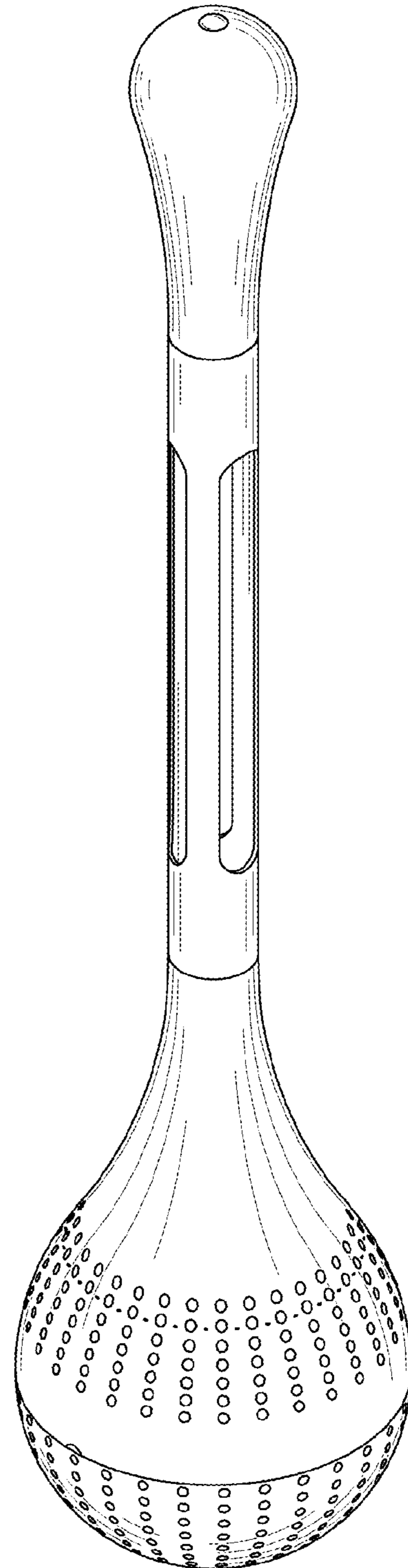


FIG. 3

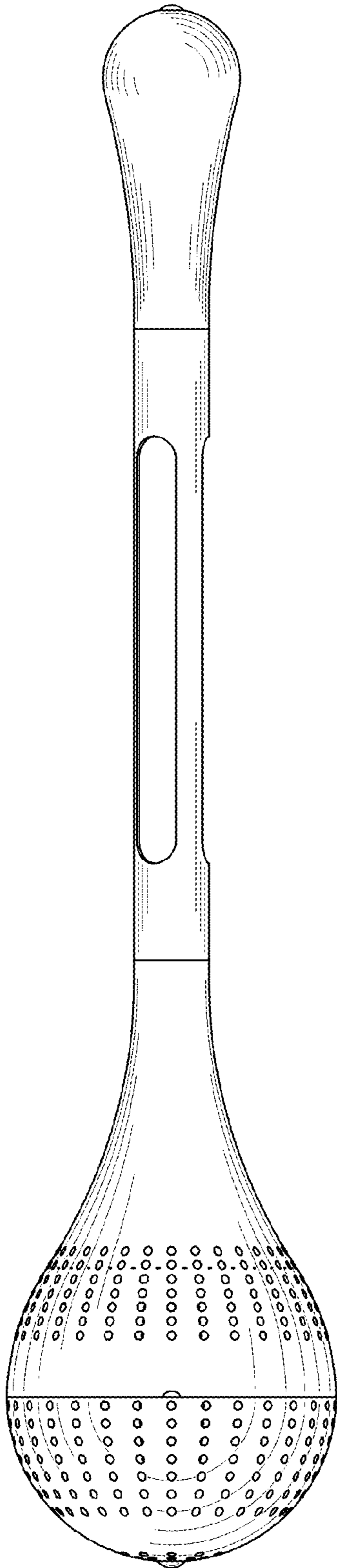


FIG. 4

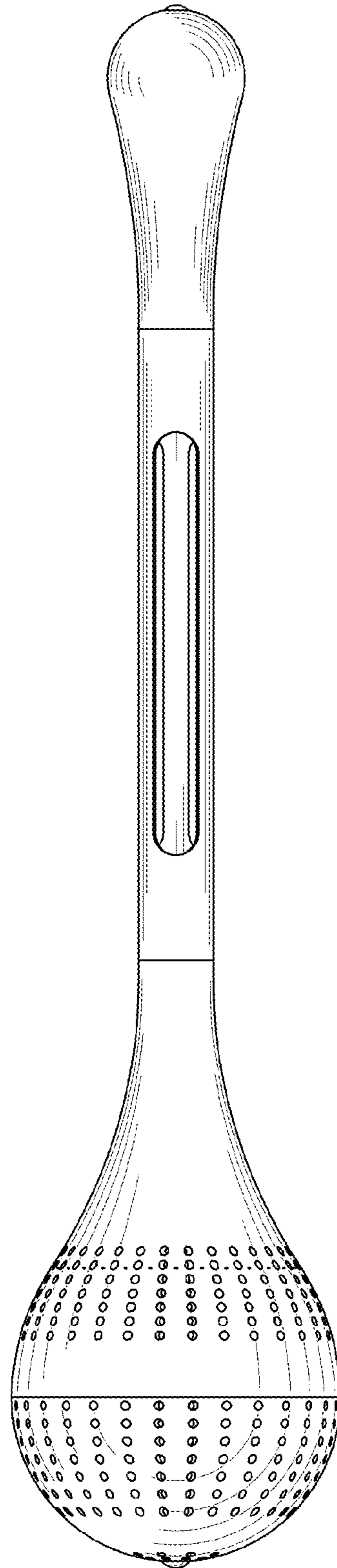


FIG. 5