

US00D867814S

(12) **United States Design Patent**
Bodum

(10) **Patent No.:** **US D867,814 S**

(45) **Date of Patent:** **** Nov. 26, 2019**

(54) **LID**

2040/0062; Y02W 30/807; F25D 31/007;
F25D 3/06; F25D 3/08; F25D 2303/081;
B21D 51/32;

(71) Applicant: **PI-Design AG**, Triengen (CH)

(Continued)

(72) Inventor: **Jorgen Bodum**, Meggen (CH)

(73) Assignee: **PI-Design AG**, Triengen (CH)

(56) **References Cited**

(**) Term: **15 Years**

U.S. PATENT DOCUMENTS

(21) Appl. No.: **29/656,136**

D242,517 S * 11/1976 Capron D7/392
D455,077 S * 4/2002 Gaiser D9/449
D606,862 S * 12/2009 Mora-Hernandez D9/449

(22) Filed: **Jul. 10, 2018**

(Continued)

(30) **Foreign Application Priority Data**

OTHER PUBLICATIONS

Jan. 31, 2018 (WO) DM/099637

Best Water Bottle: Announced Oct. 12, 2016 [online]. Site Visited [May 13, 2019]. Available from Internet URL: <http://nymag.com/strategist/2016/10/the-best-water-bottle.html>.*

(51) **LOC (12) Cl.** **07-99**

PI-Design AG, U.S. Appl. No. 29/670,867, filed Nov. 20, 2018.

(52) **U.S. Cl.**

USPC **D7/392.1**

(58) **Field of Classification Search**

USPC D7/300.2, 387, 388, 391, 392, 392.1,
D7/393, 394, 395, 396.1, 396.2, 396.6,
D7/397, 398, 403, 509, 510, 511, 566,
D7/624.1, 625, 672, 900; D8/300, 303,
D8/330, 354, 356, 382, 396; D9/434,
D9/435, 436, 437, 438, 443, 448, 449,
D9/450, 451, 454, 453, 516, 529, 548,
D9/685, 686, 723, 730, 763; D23/206,
D23/209, 259, 260, 365; D24/121, 127,
D24/194, 196; D28/76, 78, 91.1

CPC A61M 5/315; A01G 31/02; A01G 9/0293;
B65D 43/0231; B65D 51/24; B65D
83/0038; B65D 17/08; B65D 2517/0062;
B65D 2543/0037; B65D 51/245; B65D
50/041; B65D 25/18; B65D 47/122;
B65D 47/305; B65D 51/242; B65D
23/00; B65D 39/08; B44D 3/006; A46B
2200/1046; A46B 17/00; A46B 17/02;
A46B 17/06; A46B 17/07; A46B 17/08;
A45D 33/04; A45D 34/04; A45D 40/04;
A45D 2034/005; A45D 2040/0043; A45D

Primary Examiner — Jennifer Rivard

Assistant Examiner — Catherine S Posthauer

(74) *Attorney, Agent, or Firm* — McDonnell Boehnen
Hulbert & Berghoff LLP

(57) **CLAIM**

The ornamental design for a lid, as shown and described.

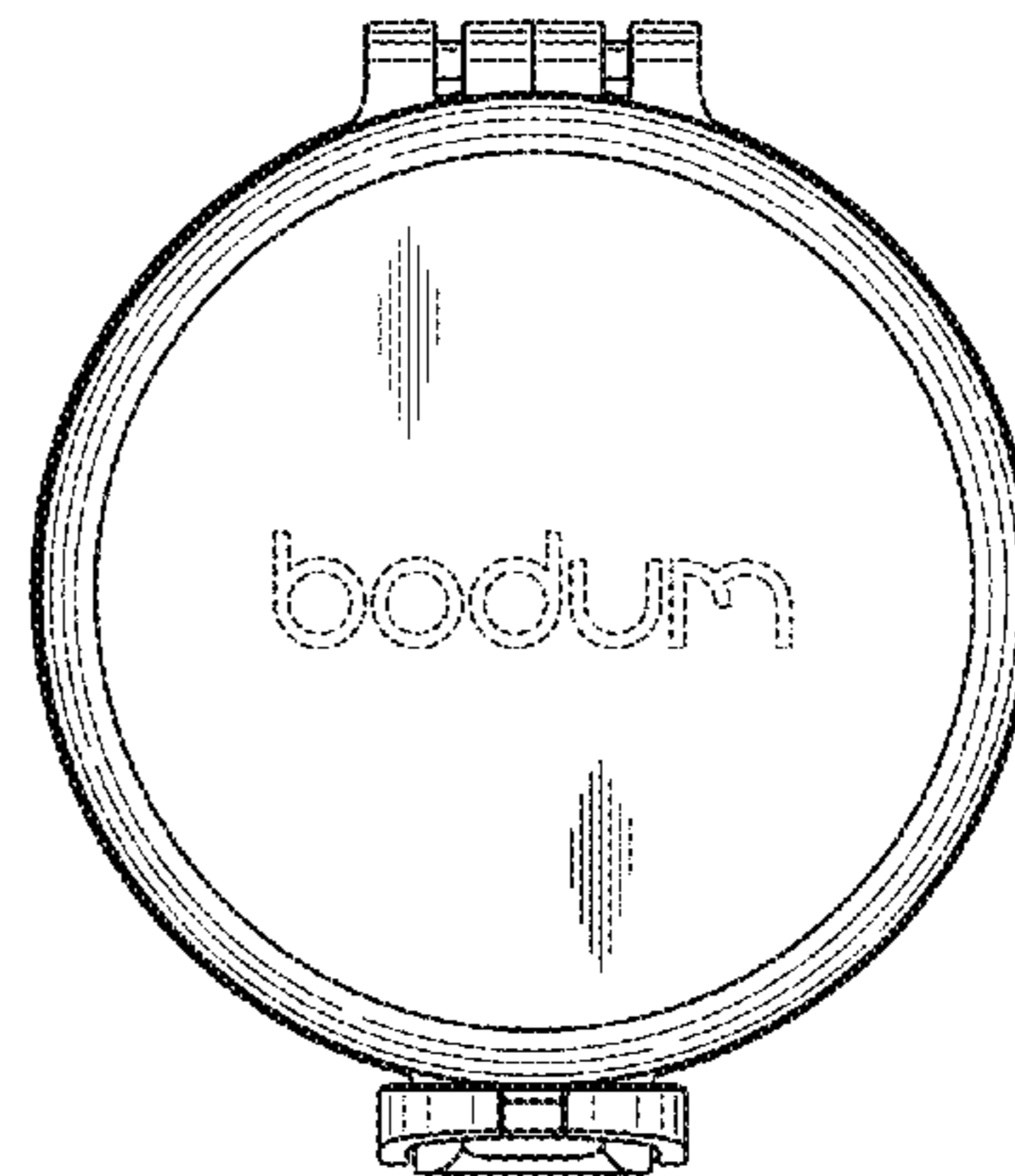
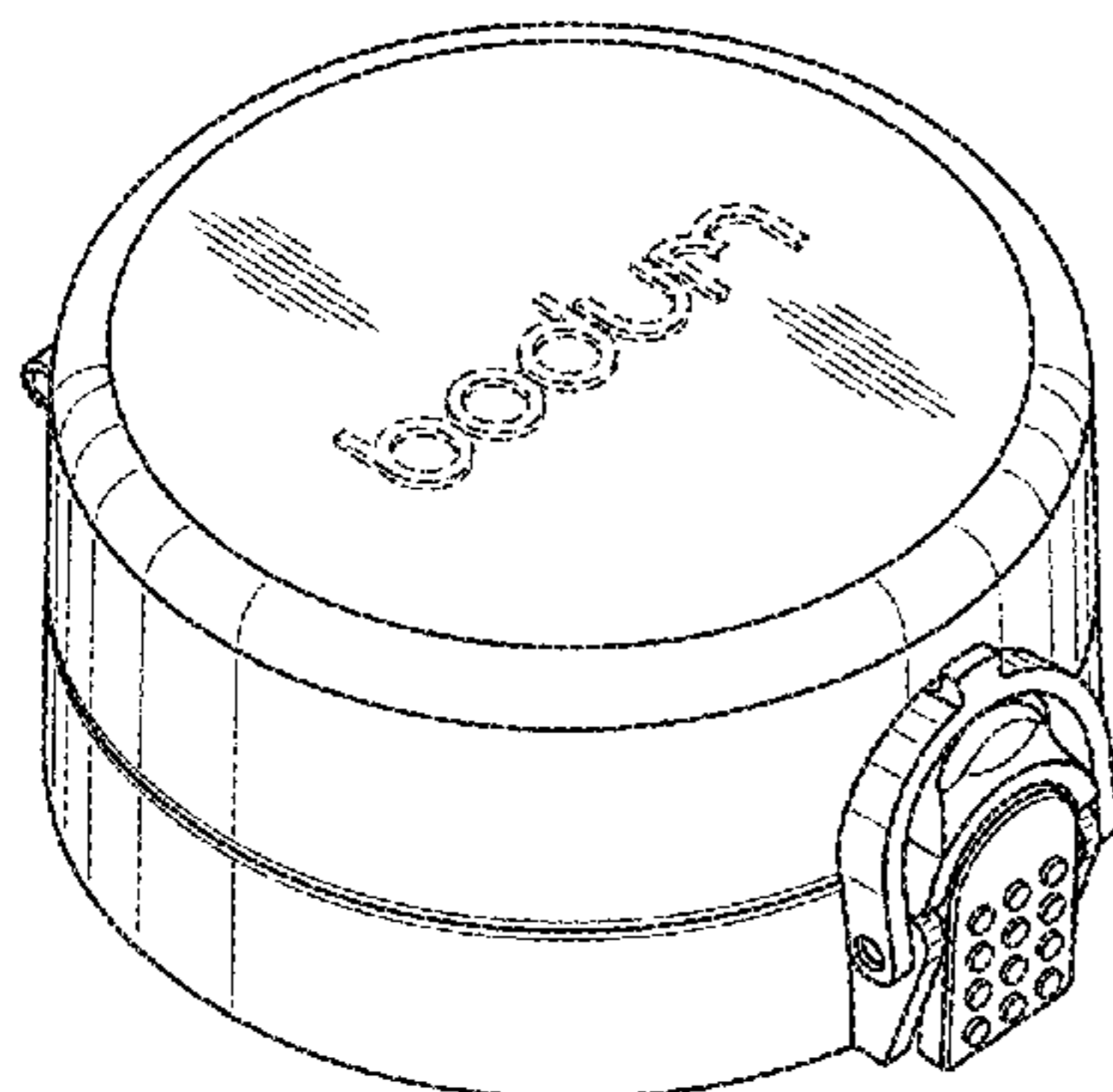
DESCRIPTION

FIG. 1 is a perspective view of a lid showing my new design;
FIG. 2 is a front view thereof;
FIG. 3 is a rear view thereof;
FIG. 4 is a left side view thereof;
FIG. 5 is a right side view thereof;
FIG. 6 is a top view thereof; and,
FIG. 7 is a bottom view thereof.

The broken lines in the drawings depict portions of the lid that form no part of the claimed design.

The “bodum” logo in the drawings, forming no part of the claim, is a registered trademark of PI-Design AG.

1 Claim, 7 Drawing Sheets



(58) **Field of Classification Search**

CPC B21D 51/44; A47G 19/00; A47G 19/2272;
A47F 3/14; A47F 3/16

See application file for complete search history.

(56) **References Cited**

U.S. PATENT DOCUMENTS

D608,640 S * 1/2010 Carreno D9/449
D609,964 S * 2/2010 Lane D7/392.1
D661,945 S * 6/2012 Eyal D7/392.1
D675,865 S * 2/2013 Wahl D7/392.1
D686,871 S * 7/2013 Lane D7/392.1
D686,872 S * 7/2013 Lane D7/392.1
D708,471 S * 7/2014 Colquhoun D7/391
D718,626 S * 12/2014 Lane B65D 41/62
D9/449
D730,729 S * 6/2015 George D9/435
D747,136 S * 1/2016 Lane D7/396.2
D748,942 S * 2/2016 Boroski D7/376
D759,485 S * 6/2016 Boroski D9/449
D766,652 S * 9/2016 Joseph D7/392.1
D794,453 S * 8/2017 Boroski D7/392.1
D799,271 S * 10/2017 Pogue D7/510
D818,767 S * 5/2018 Nezu D7/392.1
D821,136 S * 6/2018 Silsby D7/392.1
D821,137 S * 6/2018 Boroski D7/392.1
D822,427 S * 7/2018 Sorensen D7/392.1
D827,769 S * 9/2018 Brill D23/209
D839,044 S * 1/2019 Potter D7/392
2013/0206717 A1 * 8/2013 Lane A47J 31/18
215/6

* cited by examiner

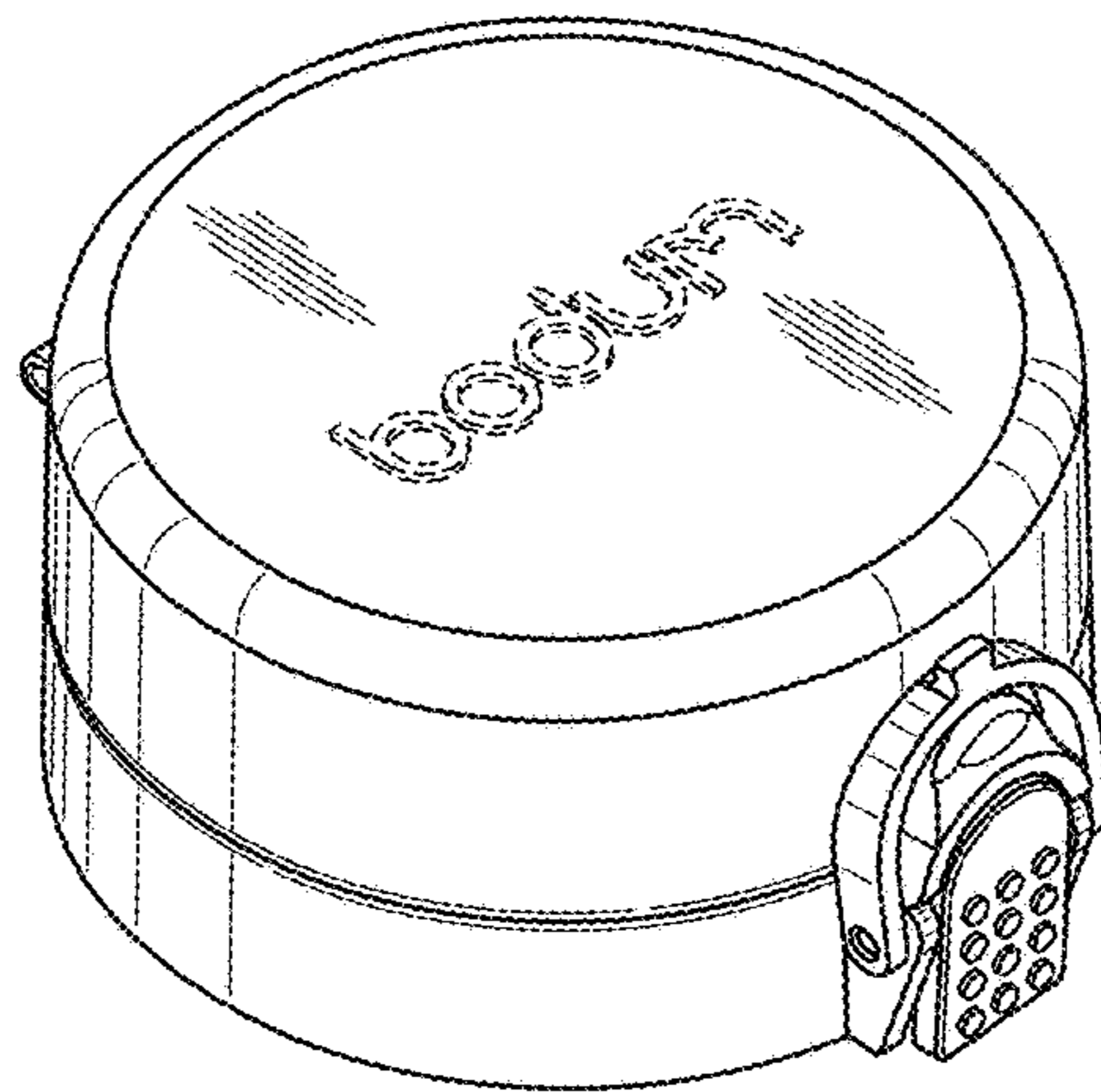


FIG. 1

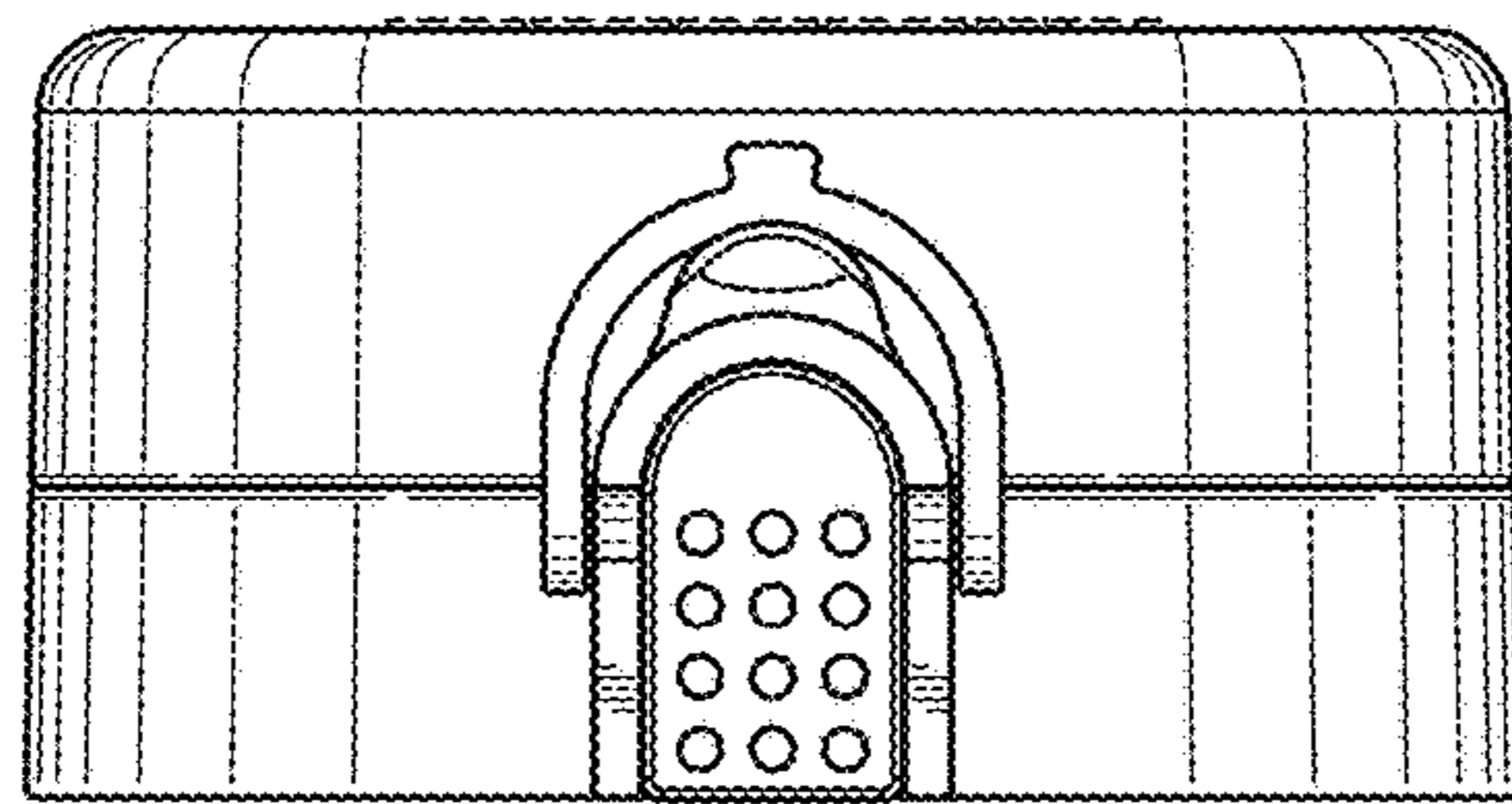


FIG. 2

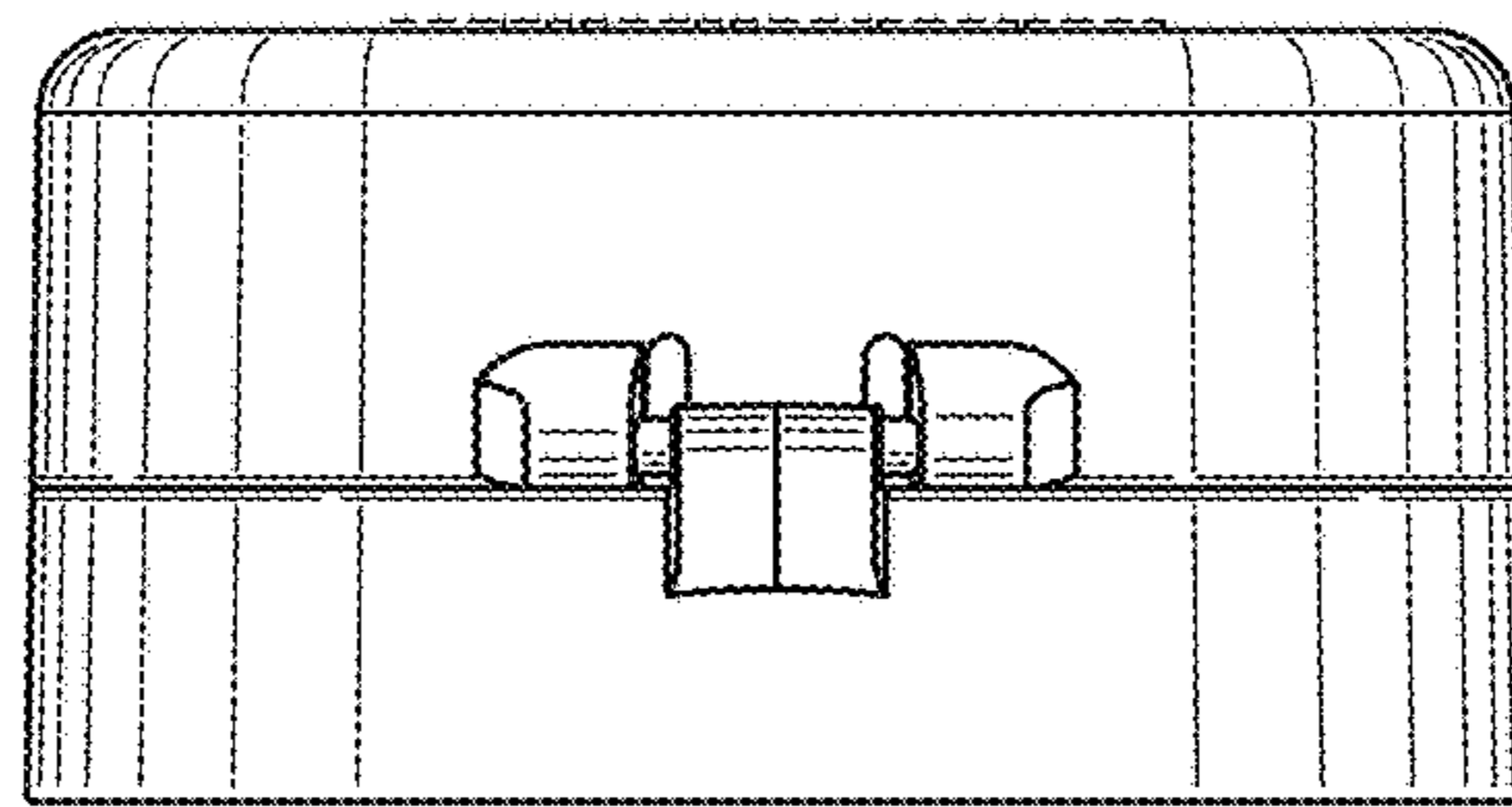


FIG. 3

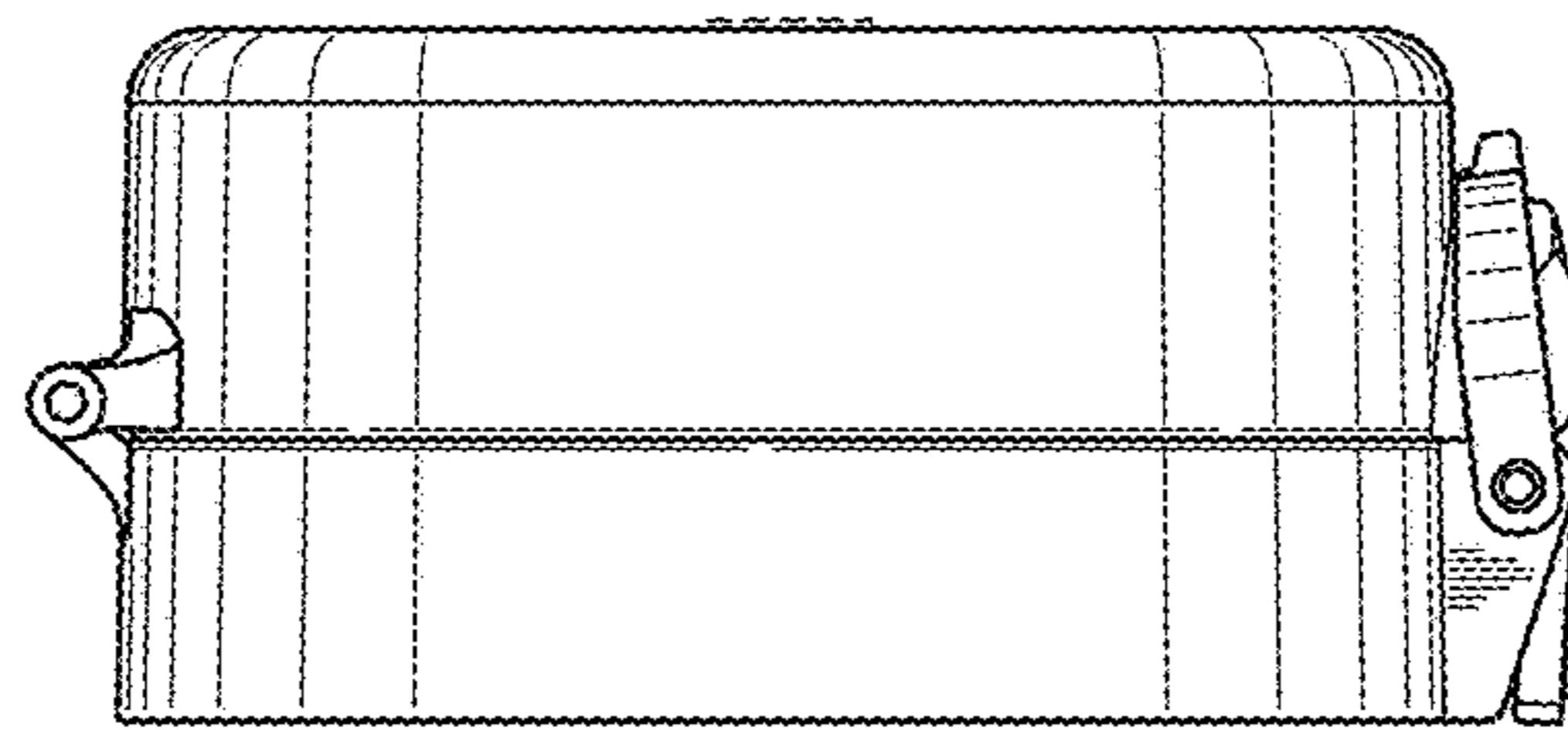


FIG. 4

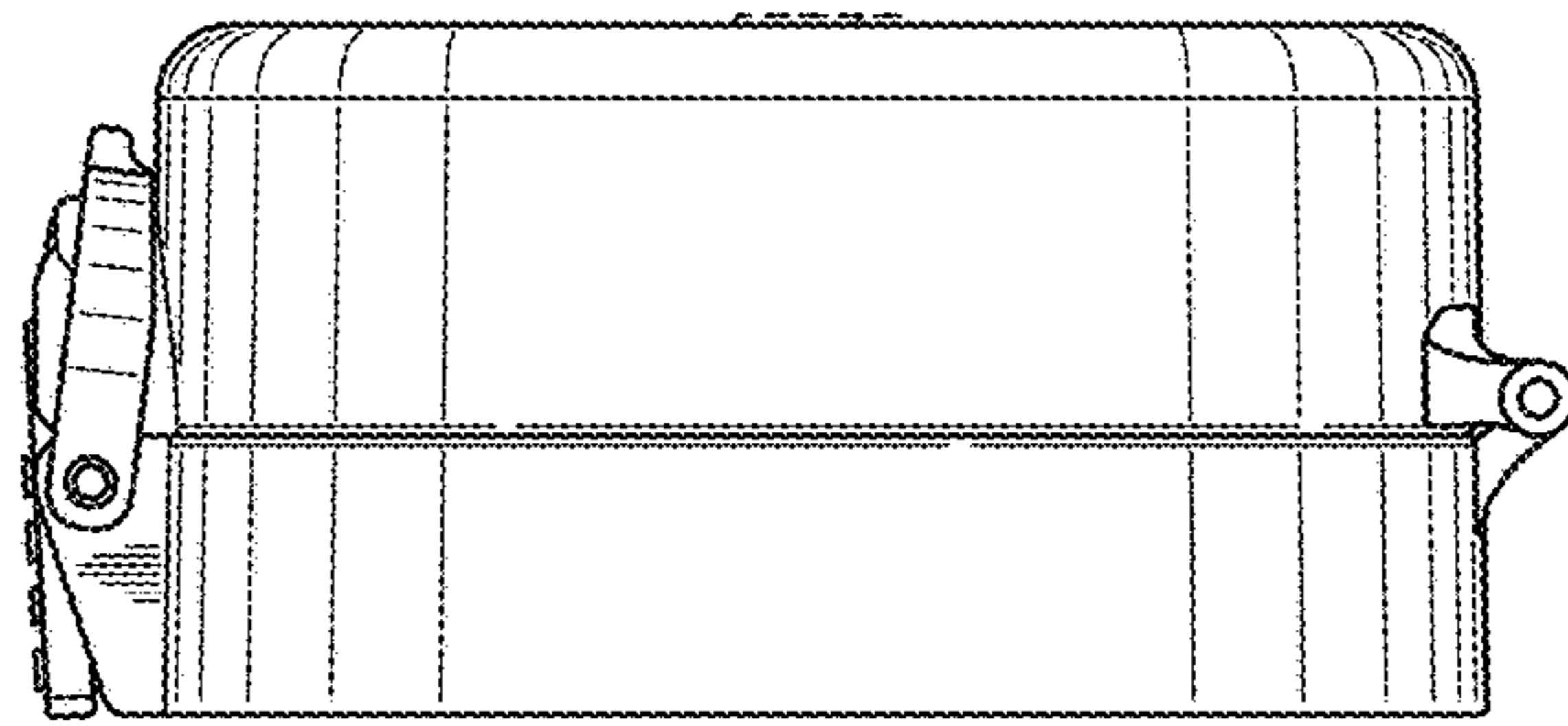


FIG. 5

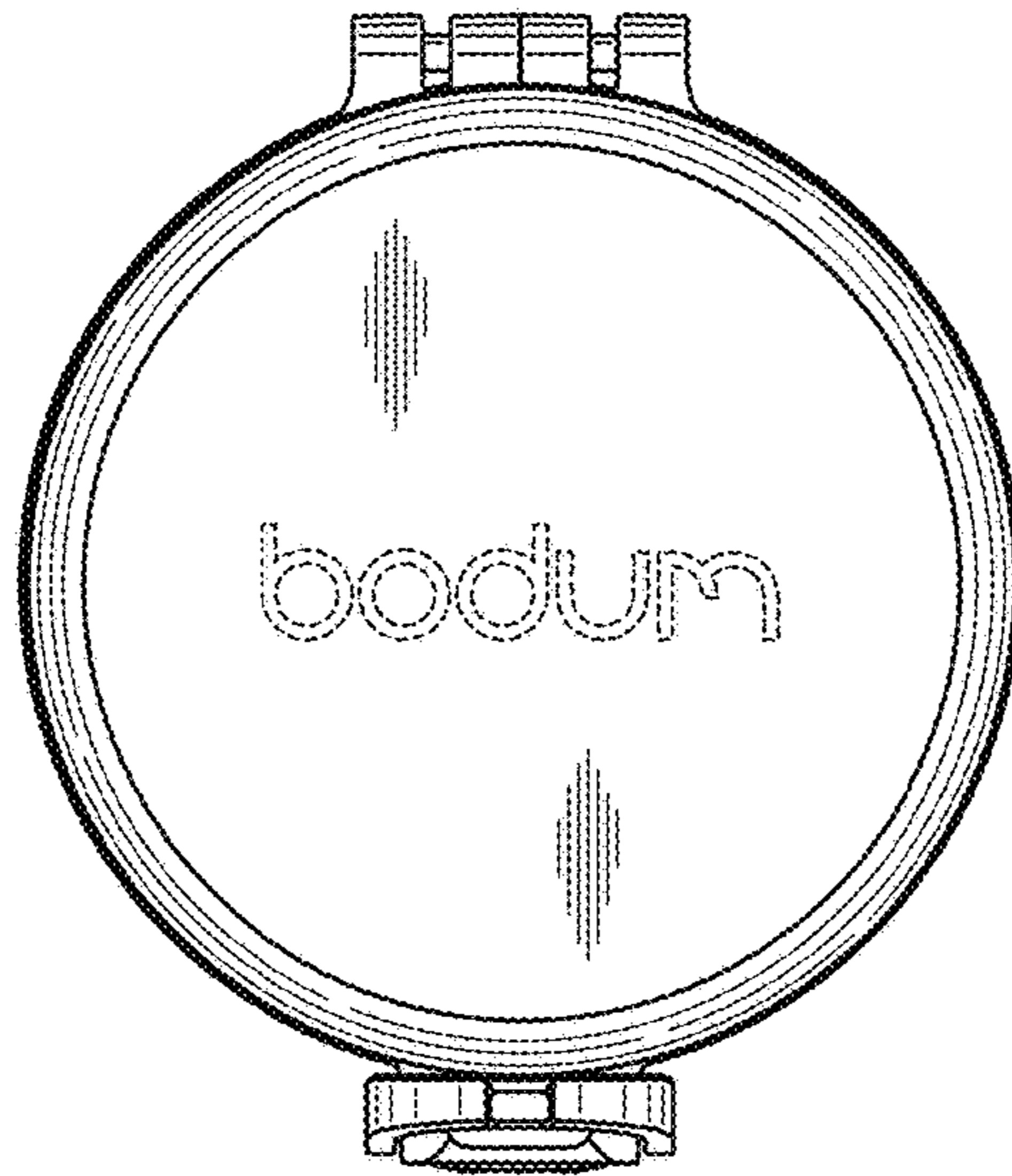


FIG. 6

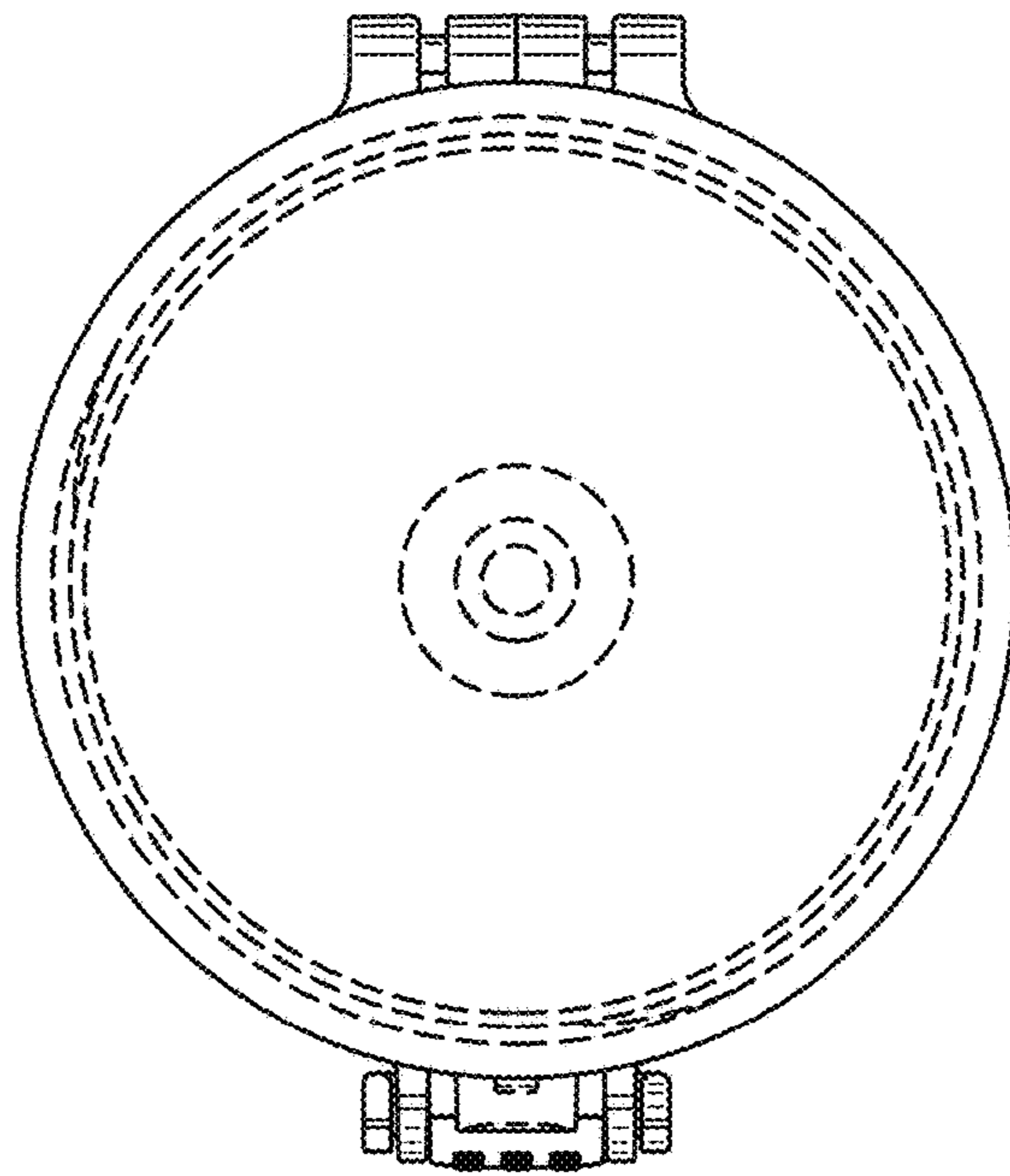


FIG. 7