

US00D867812S

(12) **United States Design Patent**  
**Lane et al.**

(10) **Patent No.:** **US D867,812 S**

(45) **Date of Patent:** **\*\* Nov. 26, 2019**

(54) **LID FOR BOTTLE**

(71) Applicants: **Marvin Lane**, Wheeling, IL (US);  
**Dwayne Boroski**, Lake in the Hills, IL  
(US); **Jennifer Bae Park**, Chicago, IL  
(US)

(72) Inventors: **Marvin Lane**, Wheeling, IL (US);  
**Dwayne Boroski**, Lake in the Hills, IL  
(US); **Jennifer Bae Park**, Chicago, IL  
(US)

(73) Assignee: **Thermos L.L.C.**, Schaumburg, IL (US)

(\*\*) Term: **15 Years**

(21) Appl. No.: **29/643,661**

(22) Filed: **Apr. 10, 2018**

(51) **LOC (12) Cl.** ..... **07-99**

(52) **U.S. Cl.**  
USPC ..... **D7/392; D7/392.1**

(58) **Field of Classification Search**  
USPC ..... D9/452, 453, 454, 435, 447, 449;  
D7/392, 392.1

CPC ..... A47G 21/18; A61J 7/0038; B65D  
2517/0049

See application file for complete search history.

(56) **References Cited**

**U.S. PATENT DOCUMENTS**

D206,499 S *	12/1966	Wilson	.....	D9/450
3,957,181 A *	5/1976	Hazard	.....	B65D 47/305 222/534
D641,591 S *	7/2011	Tsukida	.....	D7/608
8,672,174 B1 *	3/2014	McMullin	.....	A47G 21/18 215/229
D717,103 S *	11/2014	Wilbur	.....	D7/392.1
D720,218 S *	12/2014	Hutson	.....	D9/443
9,010,952 B2 *	4/2015	Lenahan	.....	B65D 23/102 222/113

D761,624 S *	7/2016	McLean	.....	D7/507
D803,005 S *	11/2017	Lane	.....	D7/608
D805,837 S *	12/2017	Hager	.....	D7/392.1
D815,889 S *	4/2018	Xu	.....	D7/392.1
D816,426 S *	5/2018	Washburn	.....	D7/608
D818,312 S *	5/2018	Burns	.....	D7/396.2
D821,205 S *	6/2018	Christianson	.....	D9/503
D821,807 S *	7/2018	Yap	.....	D7/391
D821,809 S *	7/2018	Rane	.....	D7/396.2
D822,427 S *	7/2018	Sorensen	.....	D7/392.1
D836,387 S *	12/2018	Silsby	.....	D7/392.1
2009/0120946 A1 *	5/2009	Hung	.....	A47G 19/2266 220/707
2012/0181277 A1 *	7/2012	Wang-Wu	.....	B65D 47/305 220/212

\* cited by examiner

*Primary Examiner* — Karen S Acker

*Assistant Examiner* — Steven B Reinholdt, Jr.

(74) *Attorney, Agent, or Firm* — Polsinelli PC

(57) **CLAIM**

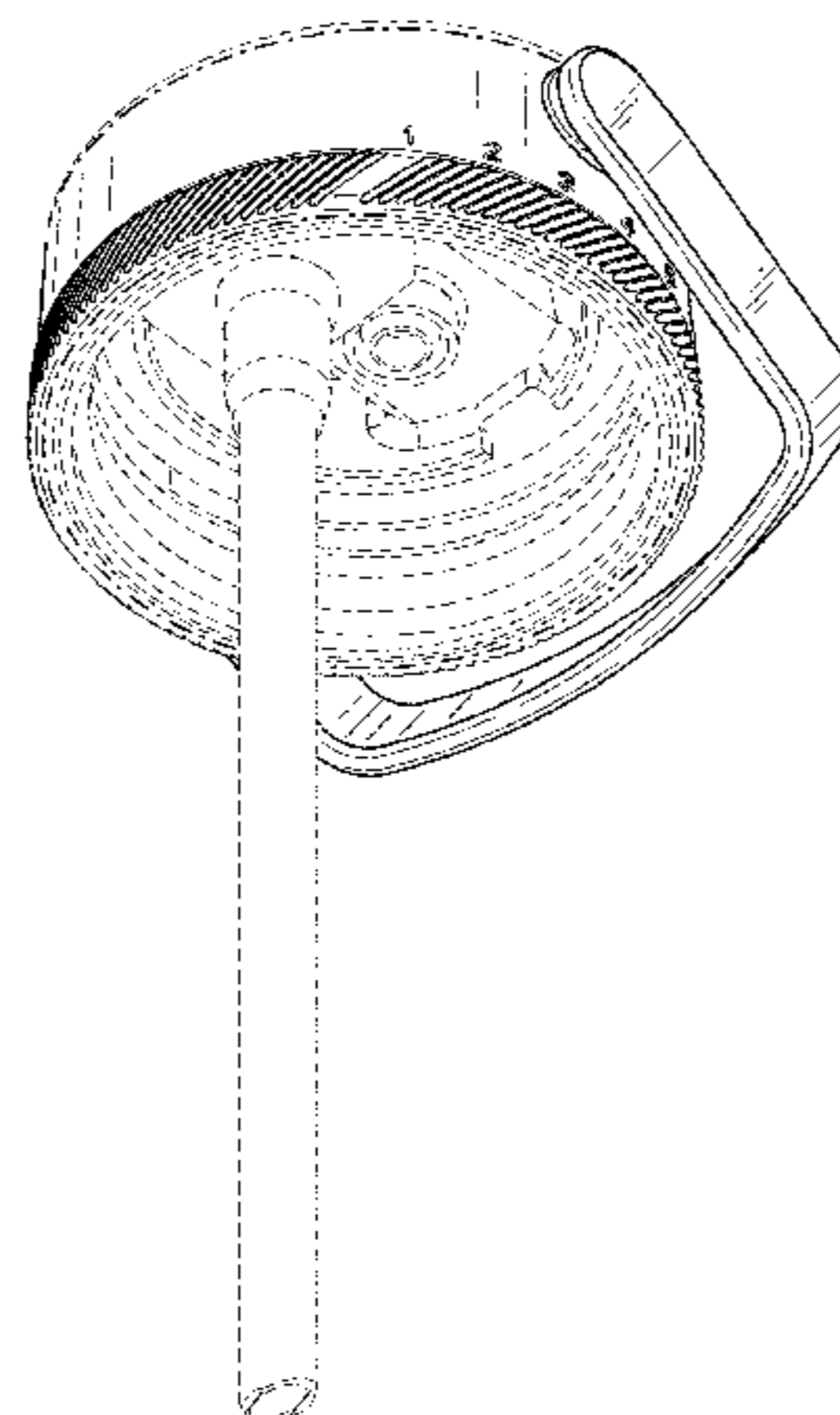
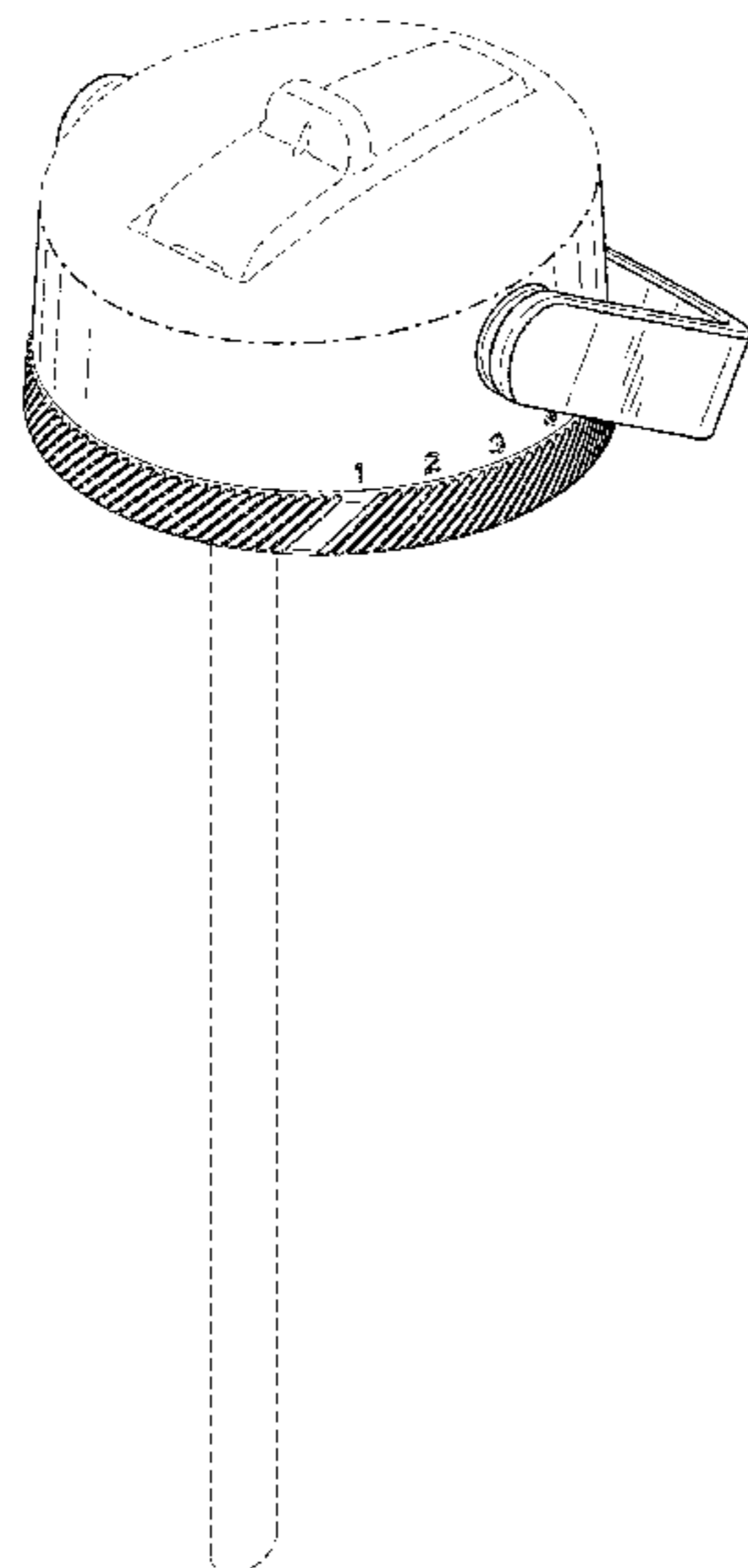
The ornamental design for a lid for bottle, as shown and described.

**DESCRIPTION**

FIG. 1 is a perspective view of the lid for bottle;  
FIG. 2 is a lower perspective view of the lid for bottle;  
FIG. 3 is a front view of the lid for bottle;  
FIG. 4 is a rear view of the lid for bottle;  
FIG. 5 is a right side view of the lid for bottle;  
FIG. 6 is a left side view of the lid for bottle;  
FIG. 7 is a top view of the lid for bottle; and,  
FIG. 8 is a bottom view of the lid for bottle.

The broken lines showing in the figures are included for the purpose of illustrating portions of the lid for bottle that form no part of the claimed design. The dash-dot lines showing in the figures are included for defining the bounds of the claimed design that form no part thereof.

**1 Claim, 7 Drawing Sheets**



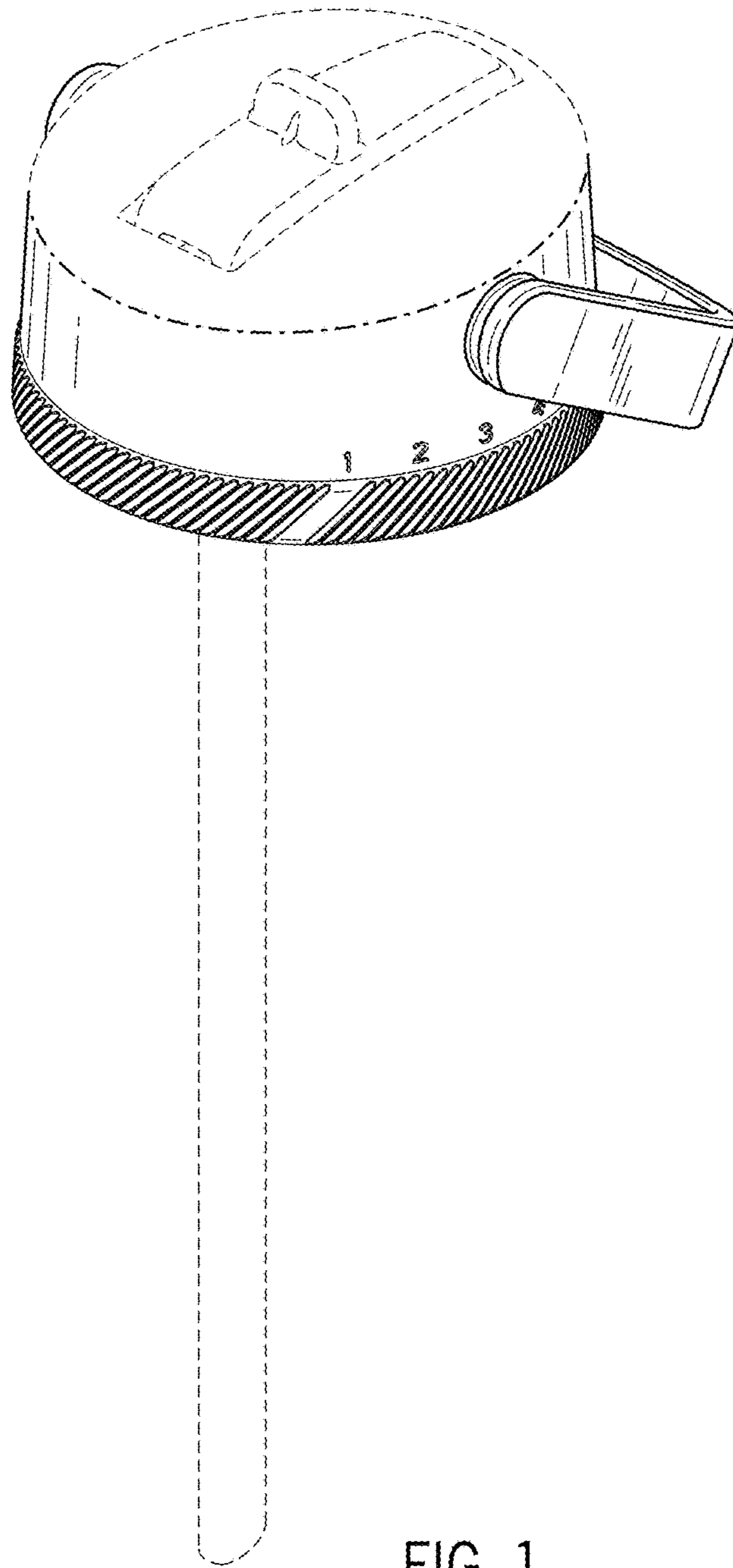


FIG. 1

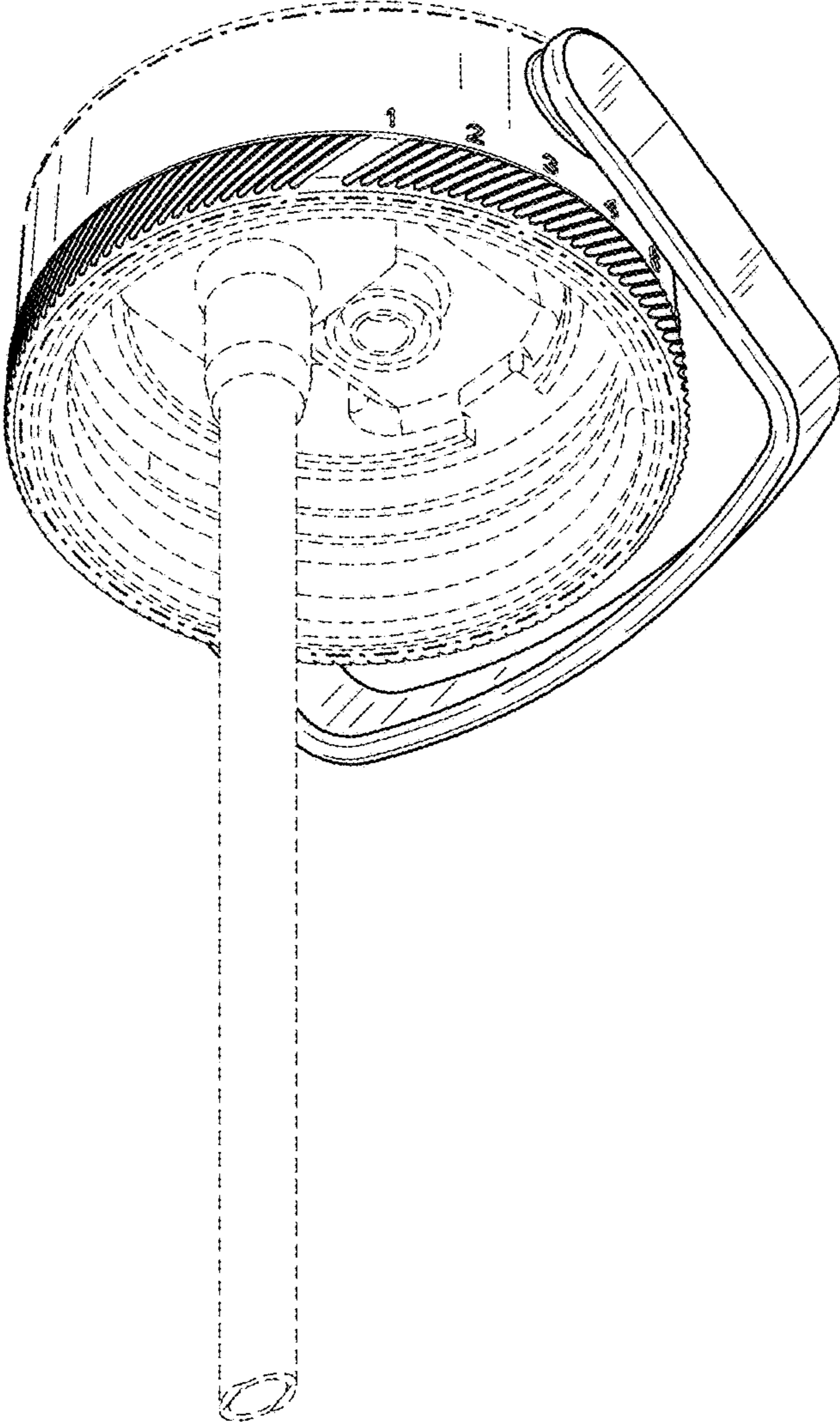


FIG. 2

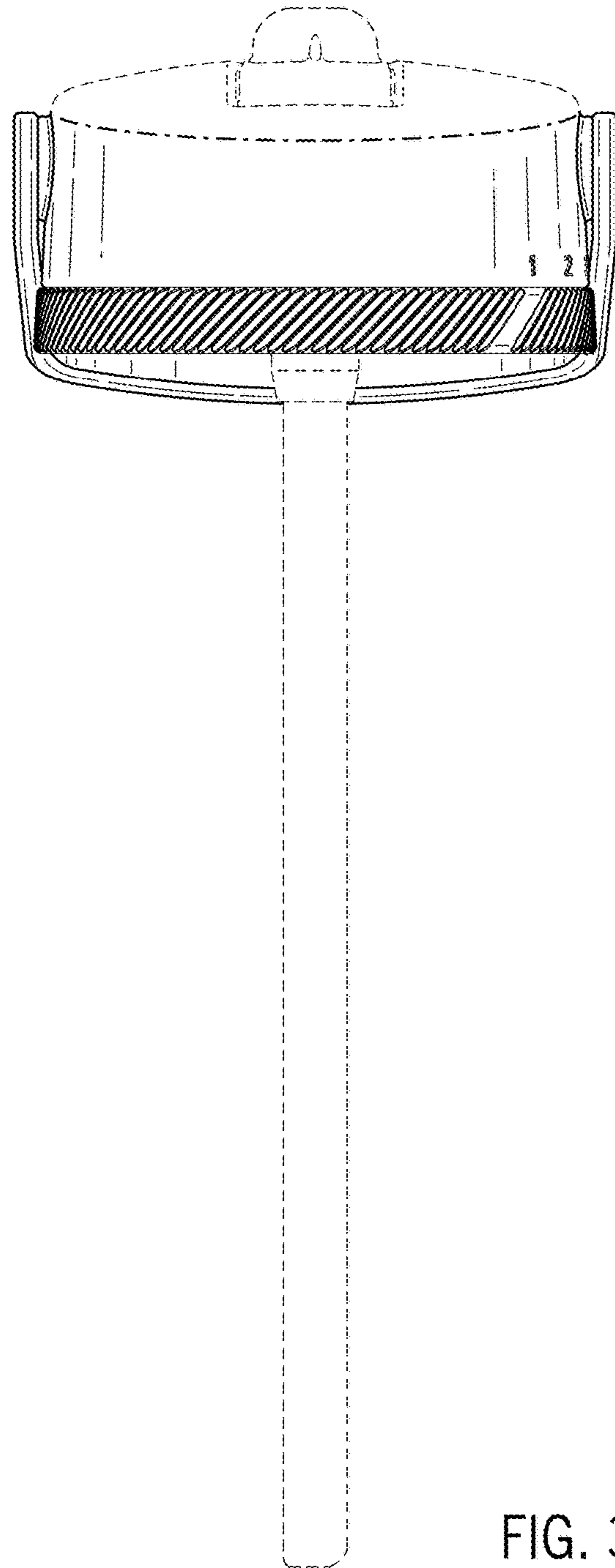


FIG. 3

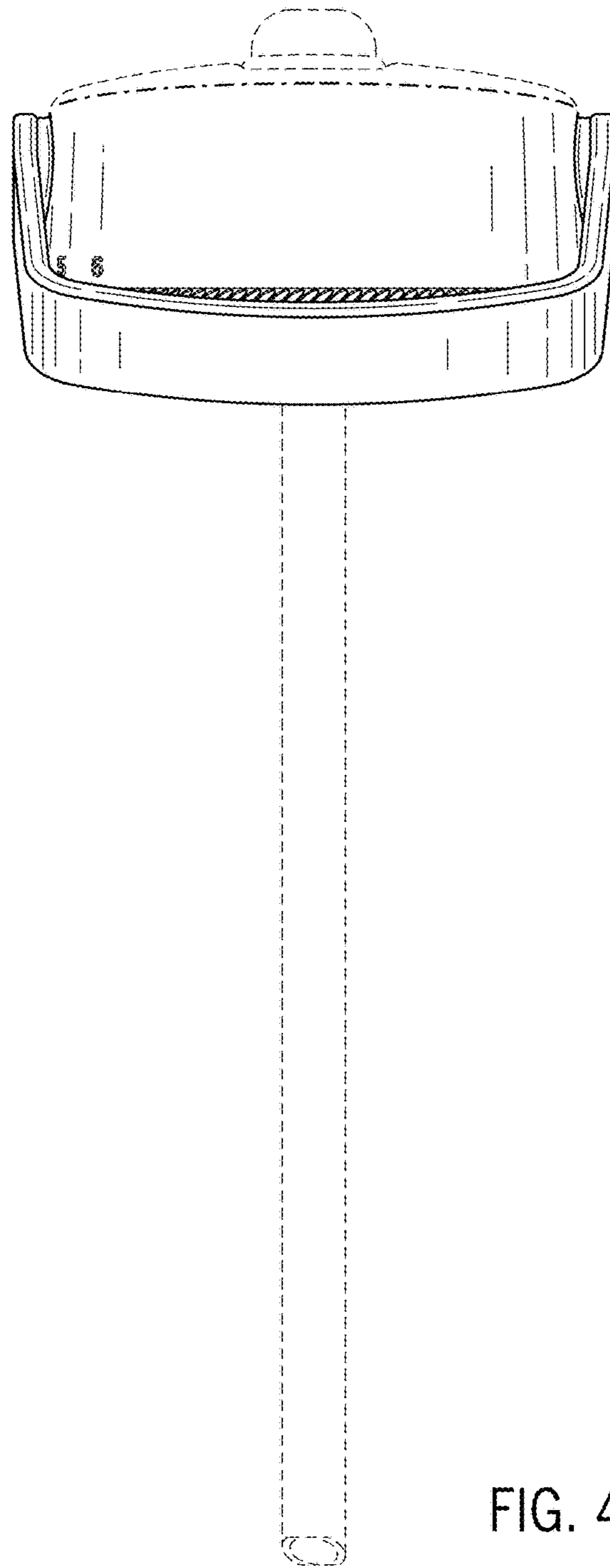


FIG. 4



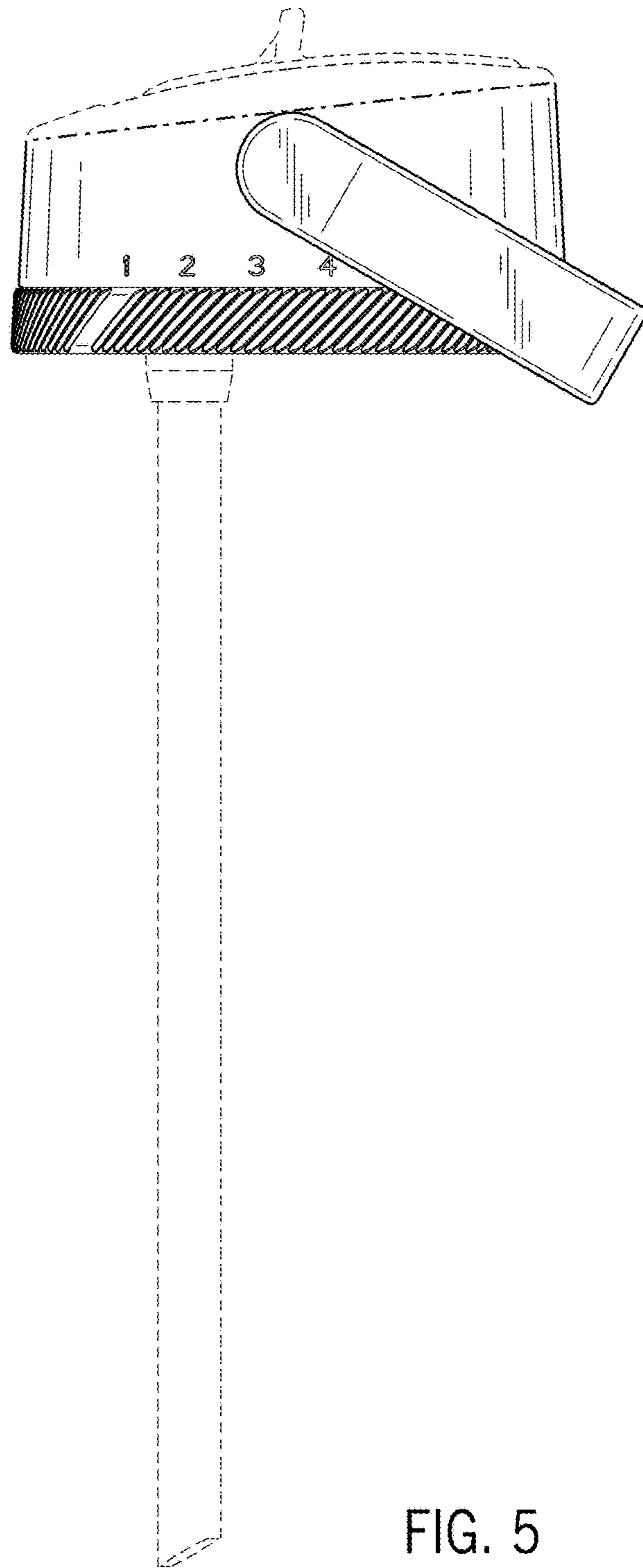


FIG. 5

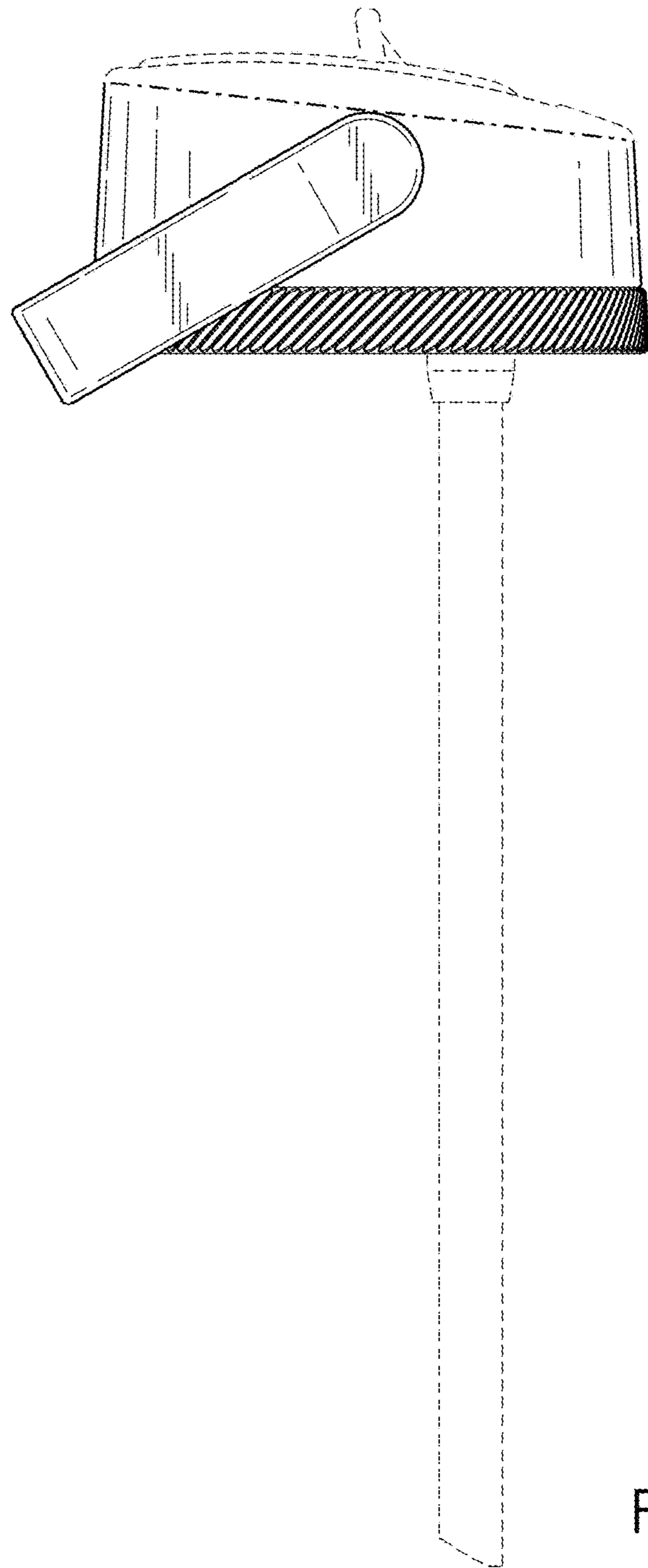


FIG. 6

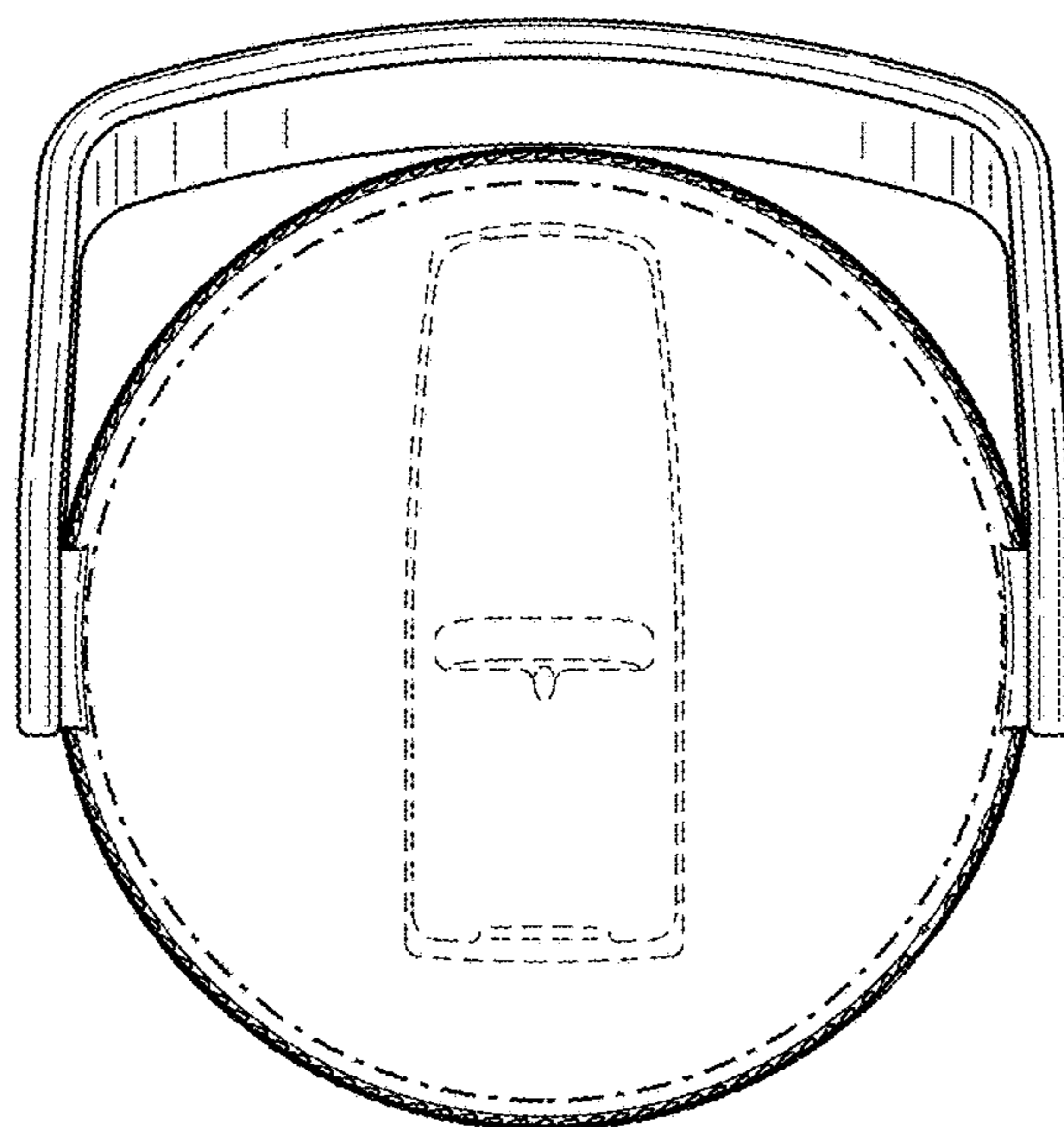


FIG. 7

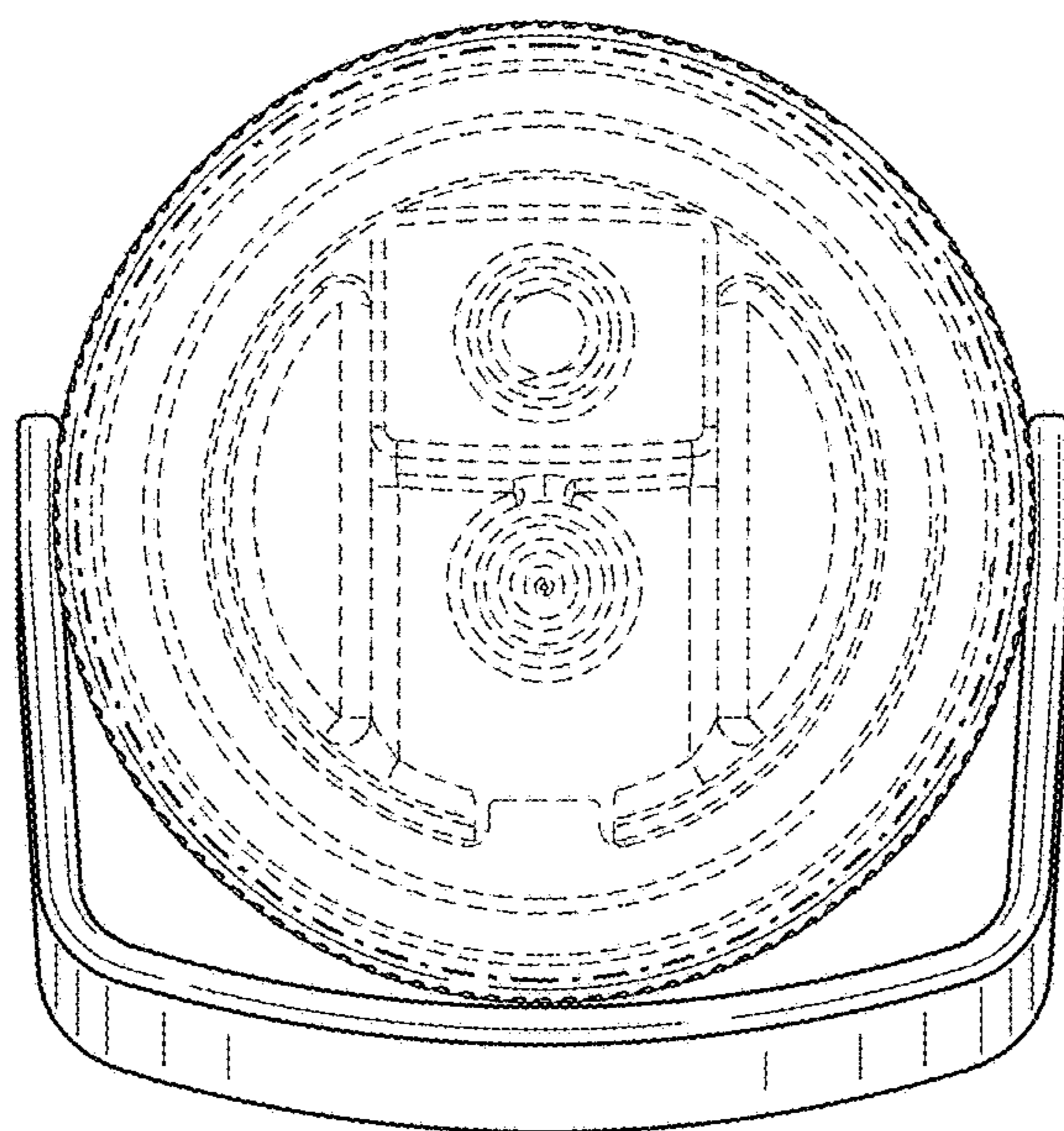


FIG. 8