



US00D867811S

(12) **United States Design Patent**  
**Lane et al.**

(10) **Patent No.:** **US D867,811 S**

(45) **Date of Patent:** **\*\* Nov. 26, 2019**

(54) **LID FOR BOTTLE**

(71) Applicants: **Marvin Lane**, Wheeling, IL (US);  
**Dwayne Boroski**, Lake in the Hills, IL (US); **Jennifer Bae Park**, Chicago, IL (US)

(72) Inventors: **Marvin Lane**, Wheeling, IL (US);  
**Dwayne Boroski**, Lake in the Hills, IL (US); **Jennifer Bae Park**, Chicago, IL (US)

(73) Assignee: **Thermos L.L.C.**, Schaumburg, IL (US)

(\*\*) Term: **15 Years**

(21) Appl. No.: **29/643,621**

(22) Filed: **Apr. 10, 2018**

(51) **LOC (12) Cl.** ..... **07-99**

(52) **U.S. Cl.**  
USPC ..... **D7/392; D7/392.1**

(58) **Field of Classification Search**  
USPC ..... D9/452, 453, 454, 435, 447, 449;  
D7/392, 392.1  
CPC ..... A47G 21/18; A61J 7/0038; B65D  
2517/0049

See application file for complete search history.

(56) **References Cited**

**U.S. PATENT DOCUMENTS**

2,608,841	A *	9/1952	Rice	.....	A47G 19/2272
					215/11.5
2,754,866	A *	7/1956	Coltman, Jr.	.....	B65D 47/0895
					220/254.3
3,312,366	A *	4/1967	Poris	.....	B65D 51/246
					141/381
D346,718	S *	5/1994	Timmermans	.....	D7/391
D390,462	S *	2/1998	Mao	.....	D9/435
D505,294	S *	5/2005	Gauss	.....	D7/392.1
D634,160	S *	3/2011	Cetera	.....	D7/510

D644,489	S *	9/2011	Trombly	.....	D7/510
D690,556	S *	10/2013	Boroski	.....	D7/510
D714,584	S *	10/2014	Boroski	.....	D7/392
D719,827	S *	12/2014	Duran	.....	D9/447
D723,918	S *	3/2015	Karl, IV	.....	D9/447
D752,434	S *	3/2016	Willows	.....	D9/447
D752,976	S *	4/2016	Koffel	.....	D9/447
D761,648	S *	7/2016	Karl, IV	.....	D9/447
D763,076	S *	8/2016	Lane	.....	D9/446
D772,064	S *	11/2016	Boroski	.....	D9/436
D786,072	S *	5/2017	Breit	.....	D9/443
D791,542	S *	7/2017	Miksovsky	.....	D7/510
D792,216	S *	7/2017	Breit	.....	D9/443
D801,111	S *	10/2017	Eyal	.....	D7/392.1
D813,593	S *	3/2018	Cornu	.....	D7/392
D816,397	S *	5/2018	Karl, IV	.....	D7/392.1
D817,085	S *	5/2018	Davis	.....	D7/392.1
D824,721	S *	8/2018	Hu	.....	D7/392.1
D825,332	S *	8/2018	Miksovsky	.....	D9/446

(Continued)

*Primary Examiner* — Karen S Acker

*Assistant Examiner* — Steven B Reinholdt, Jr.

(74) *Attorney, Agent, or Firm* — Polsinelli PC

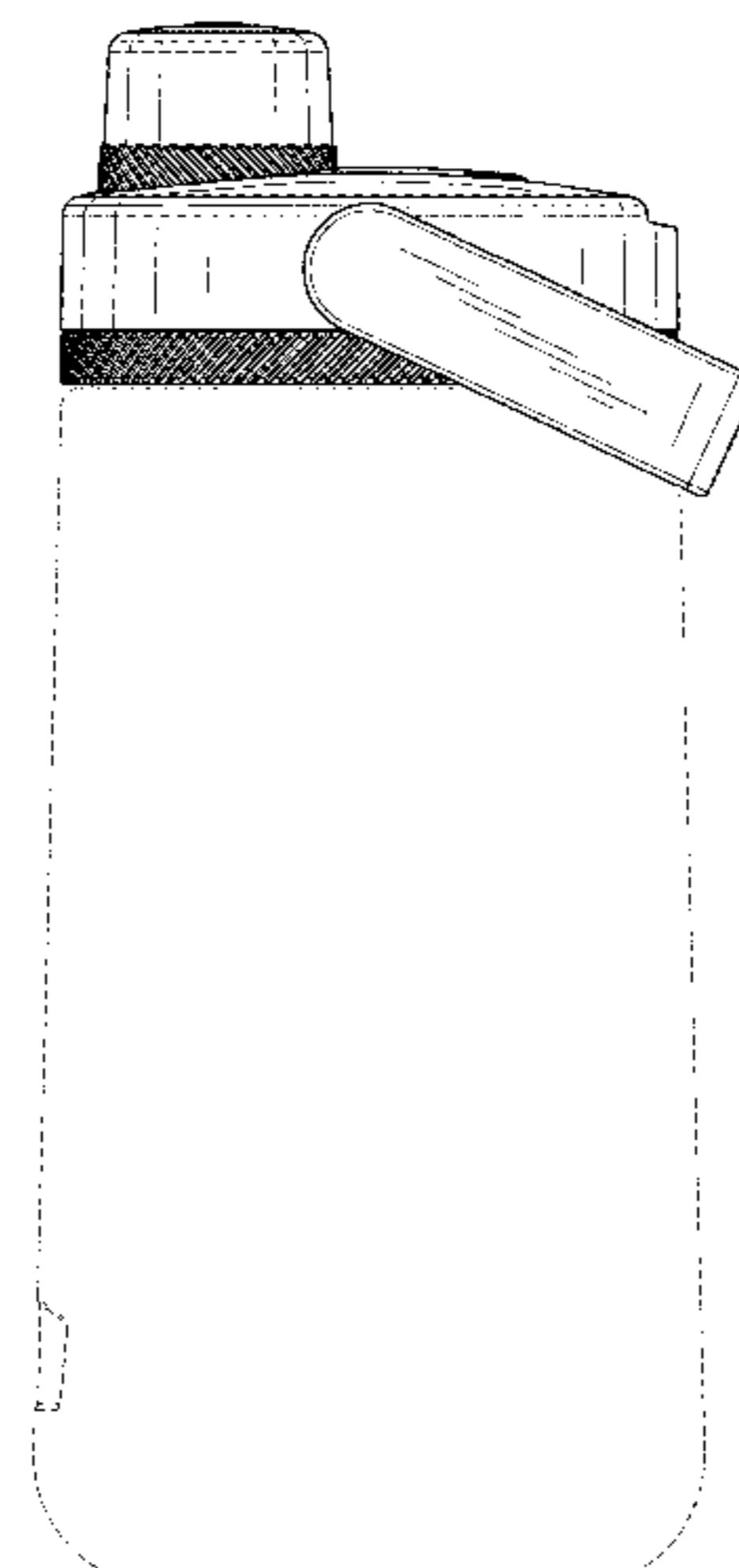
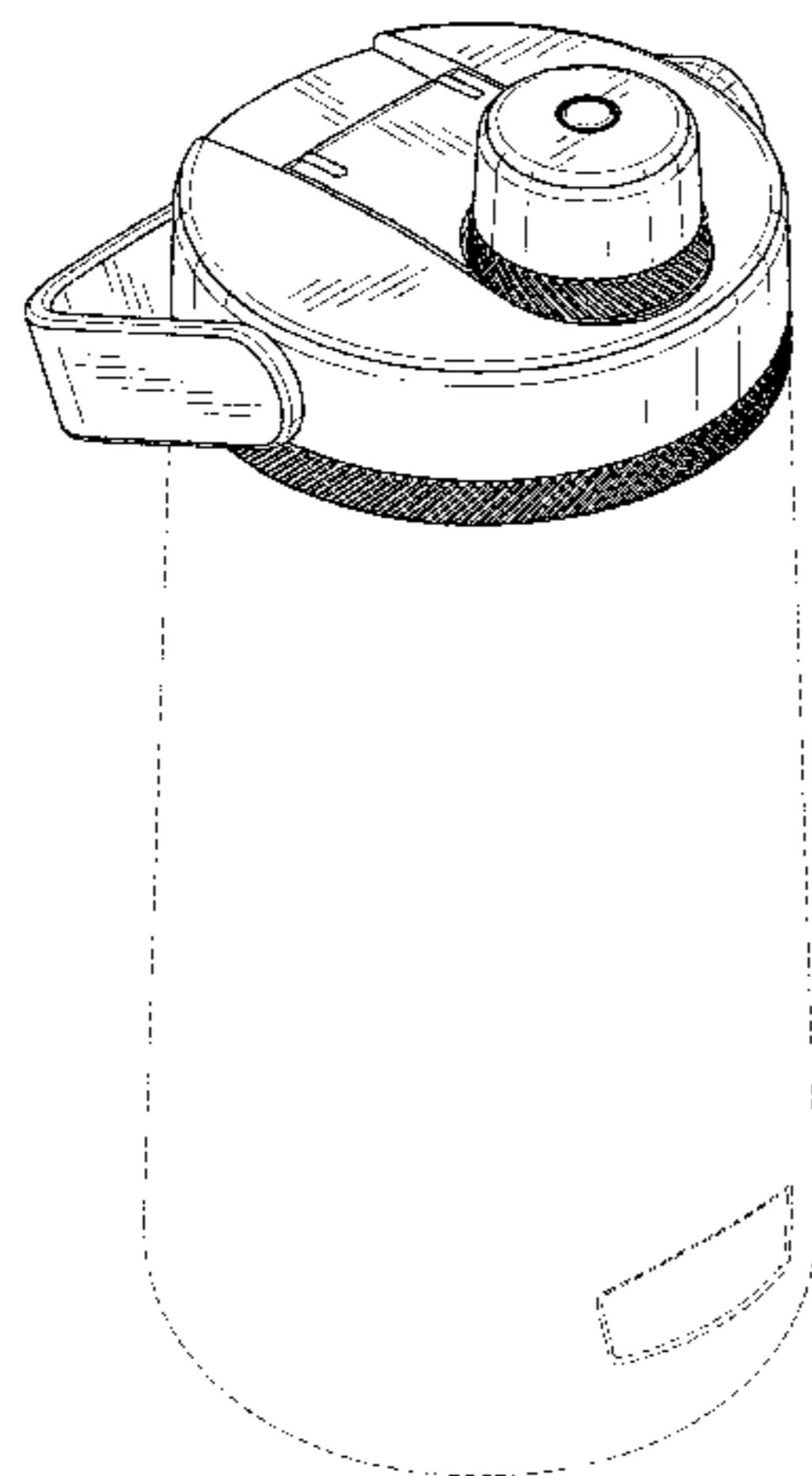
(57) **CLAIM**

The ornamental design for a lid for bottle, as shown and described.

**DESCRIPTION**

FIG. 1 is a perspective view of the lid for bottle;  
FIG. 2 is a front view of the lid for bottle;  
FIG. 3 is a left side view of the lid for bottle;  
FIG. 4 is a right side view of the lid for bottle;  
FIG. 5 is a top view of the lid for bottle;  
FIG. 6 is a bottom side view of the lid for bottle; and,  
FIG. 7 is a rear view of the lid for bottle; bottle.  
The broken lines in the drawings are included for the purpose of illustrating the lid in positions of use with the environment of a bottle that forms no part of the claimed design.

**1 Claim, 6 Drawing Sheets**



(56)

**References Cited**

U.S. PATENT DOCUMENTS

D831,414 S \* 10/2018 Diener ..... D7/392  
D834,368 S \* 11/2018 Oas ..... D7/392.1  
D836,386 S \* 12/2018 Ayriss ..... B65D 47/0857  
D7/392  
2009/0236341 A1\* 9/2009 McKinney ..... A47G 19/2266  
220/375  
2012/0168441 A1\* 7/2012 Lane ..... B65D 47/242  
220/212  
2015/0041500 A1\* 2/2015 Ismail ..... A47G 19/34  
222/434  
2017/0129665 A1\* 5/2017 Rolfes ..... B65D 51/2821

\* cited by examiner

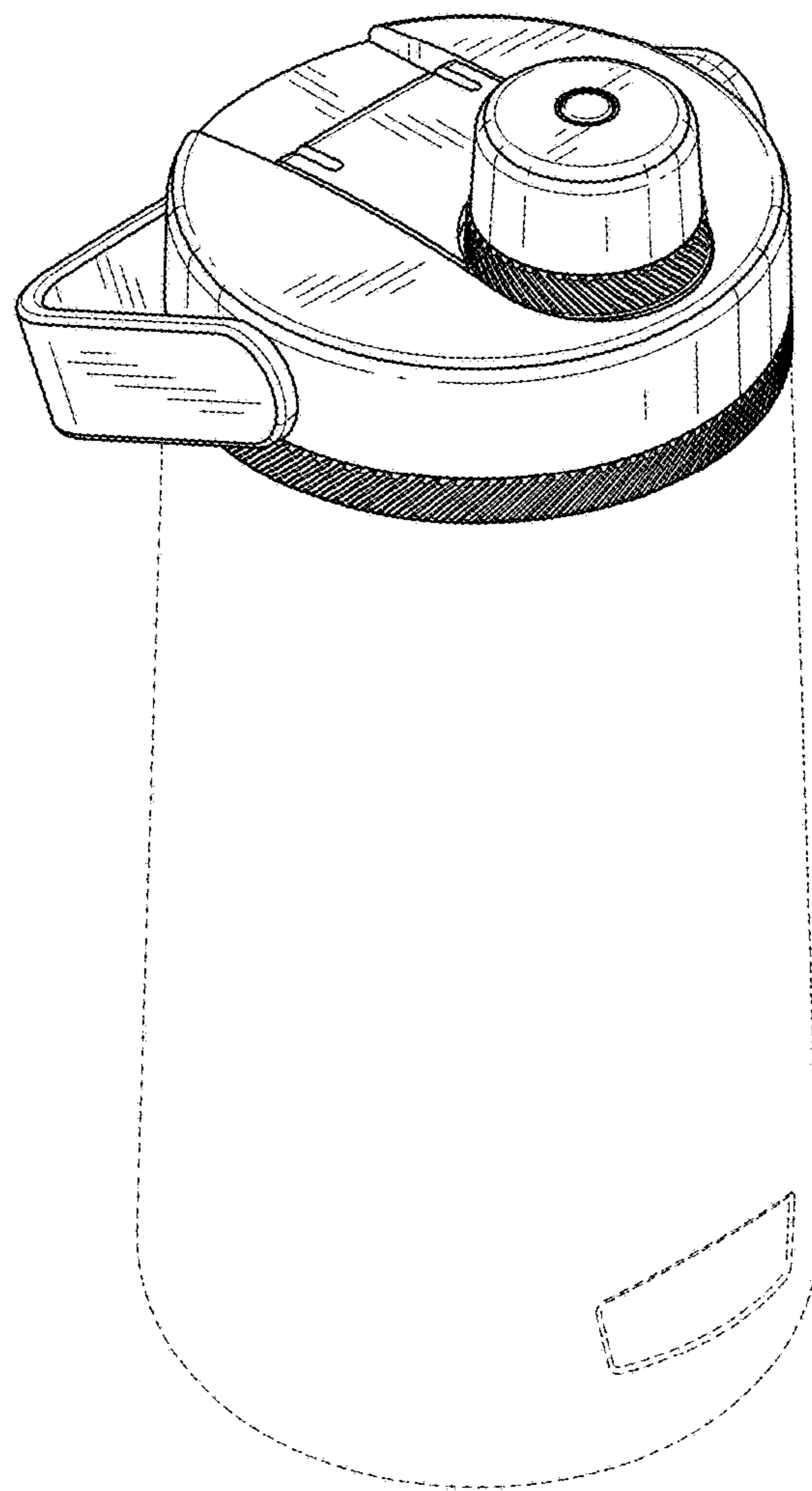


FIG. 1

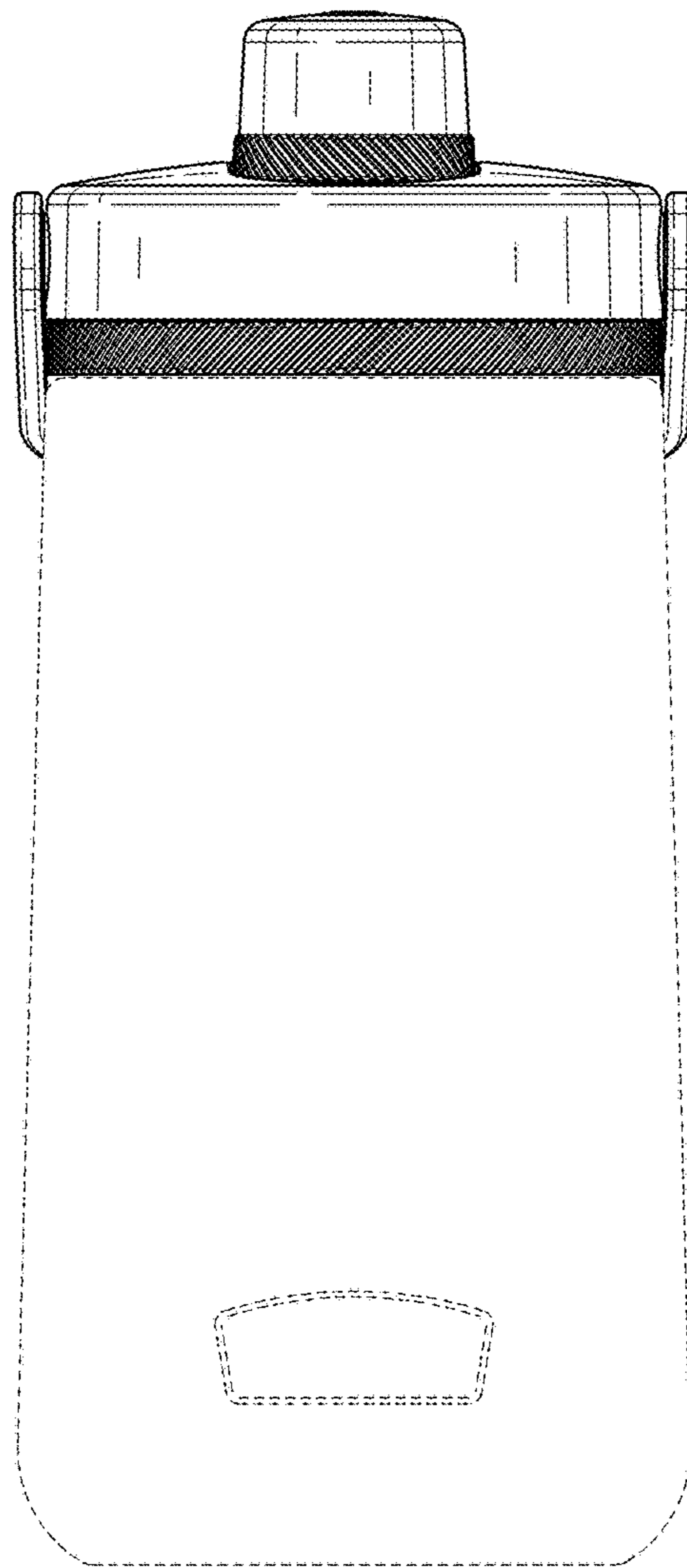


FIG. 2

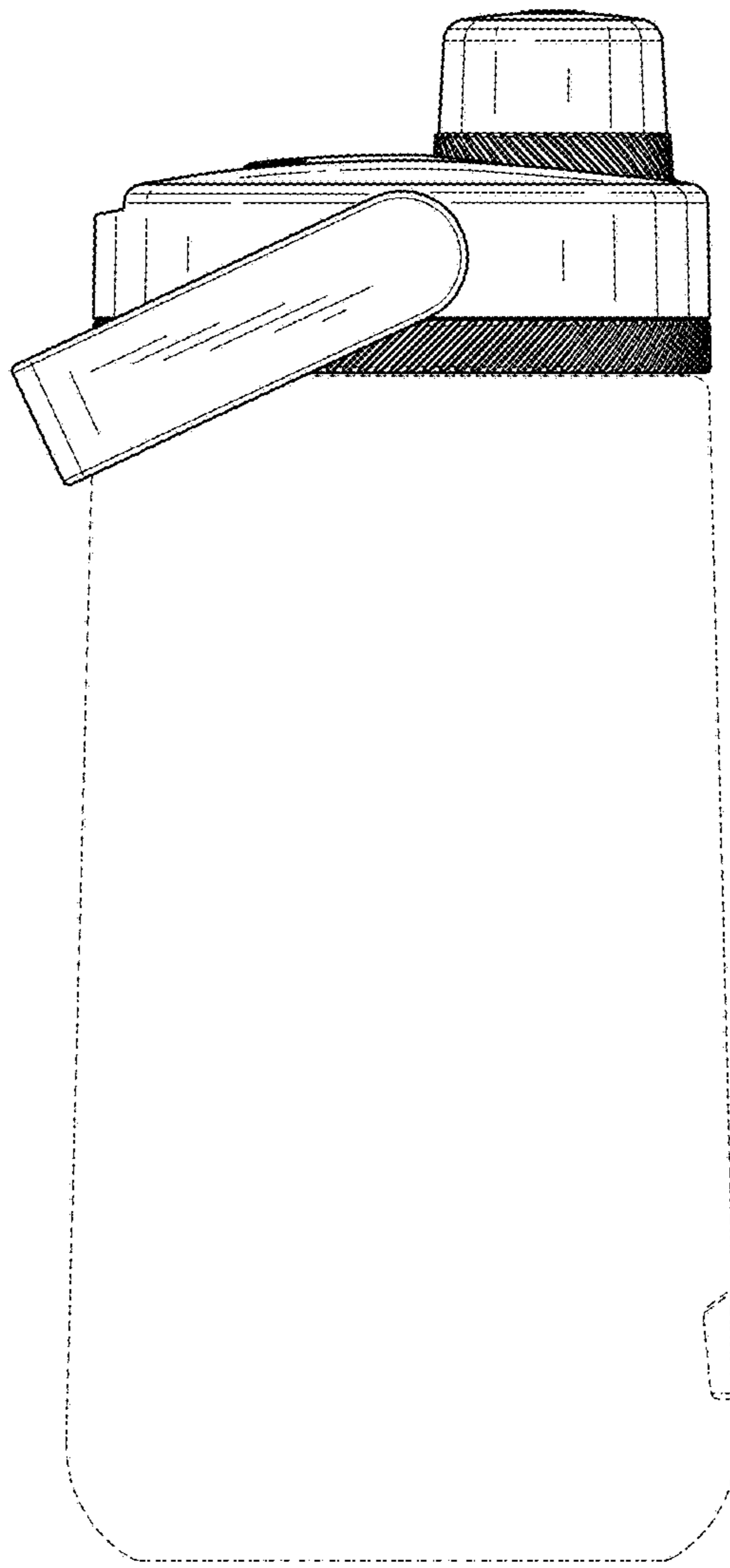


FIG. 3

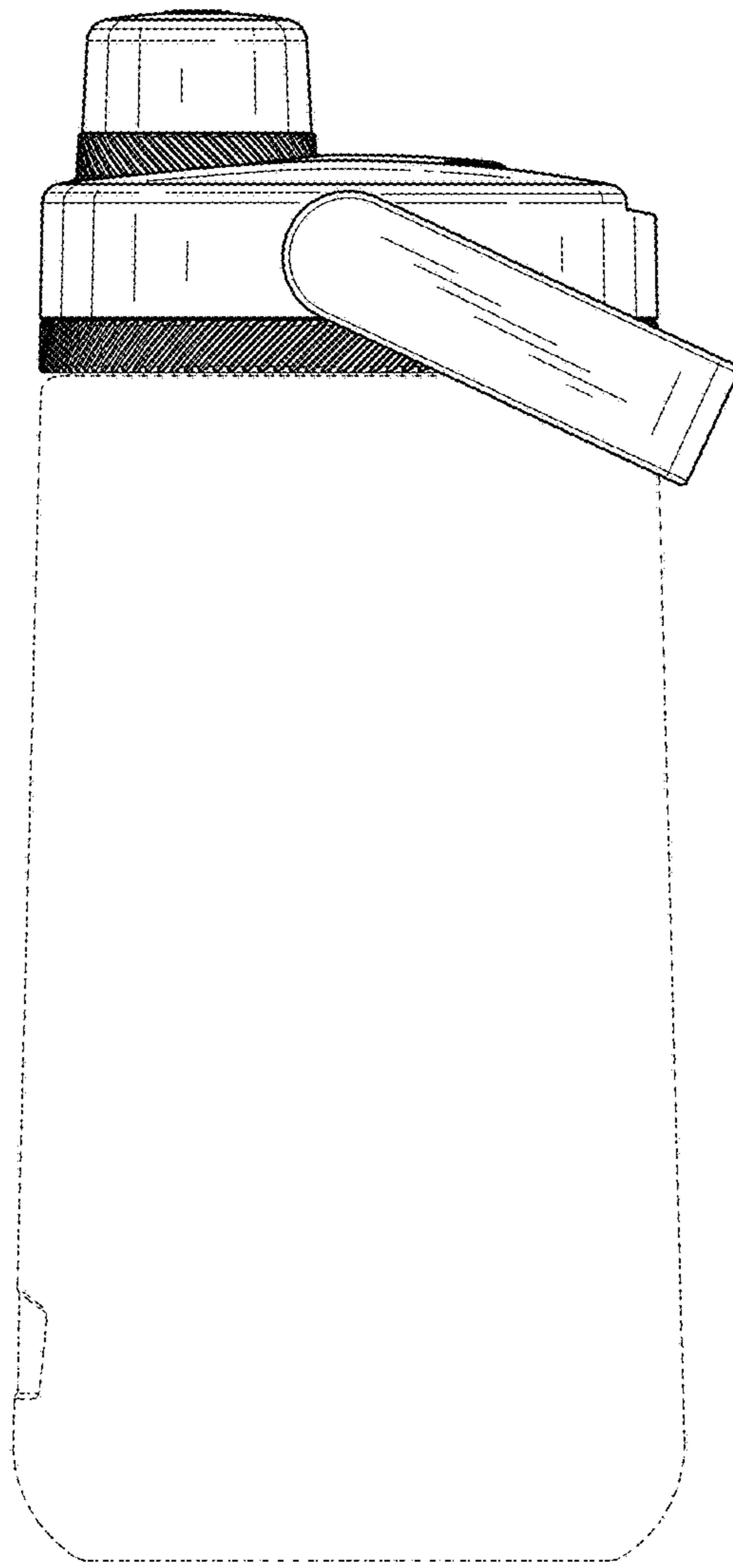


FIG. 4

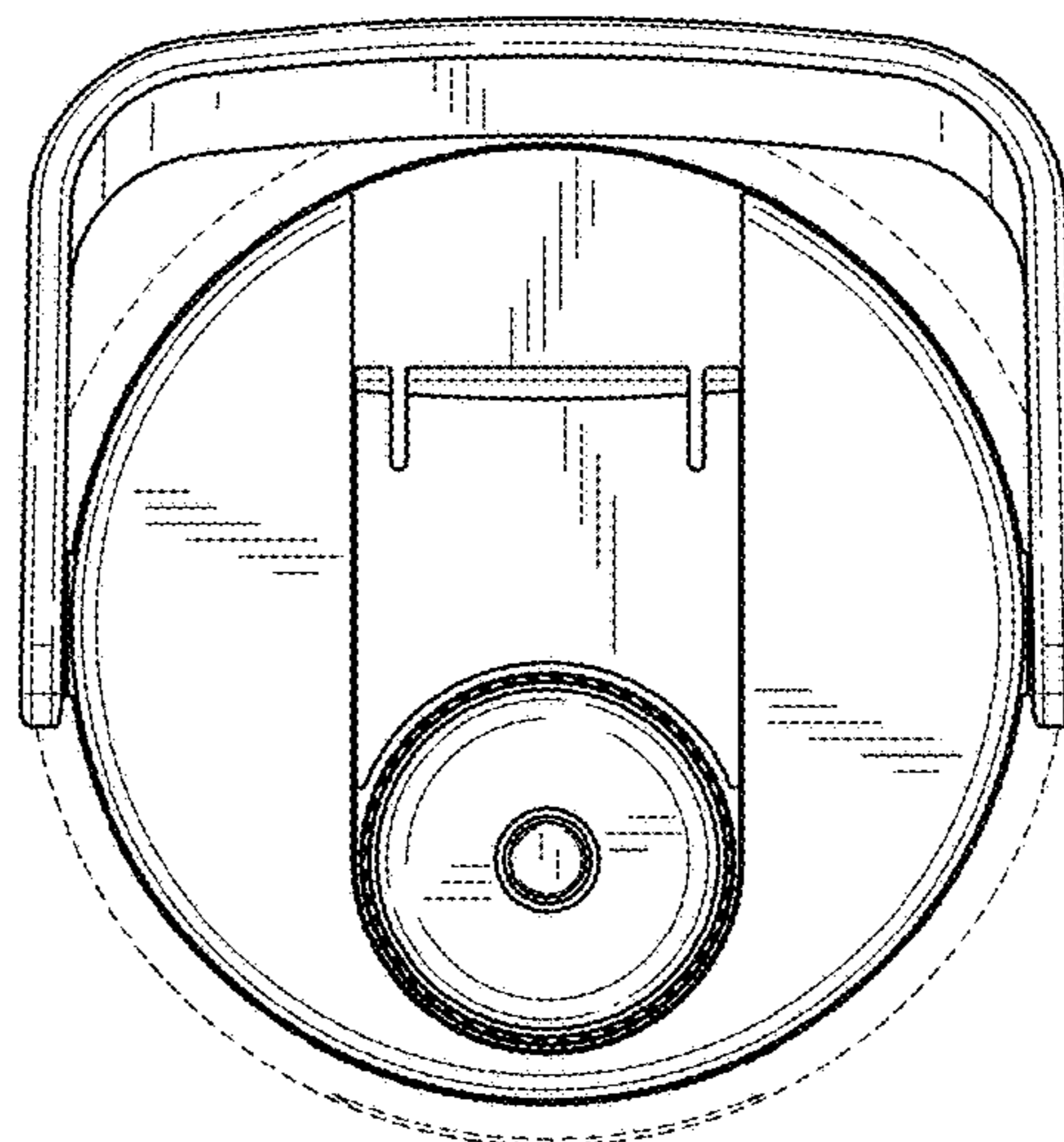


FIG. 5

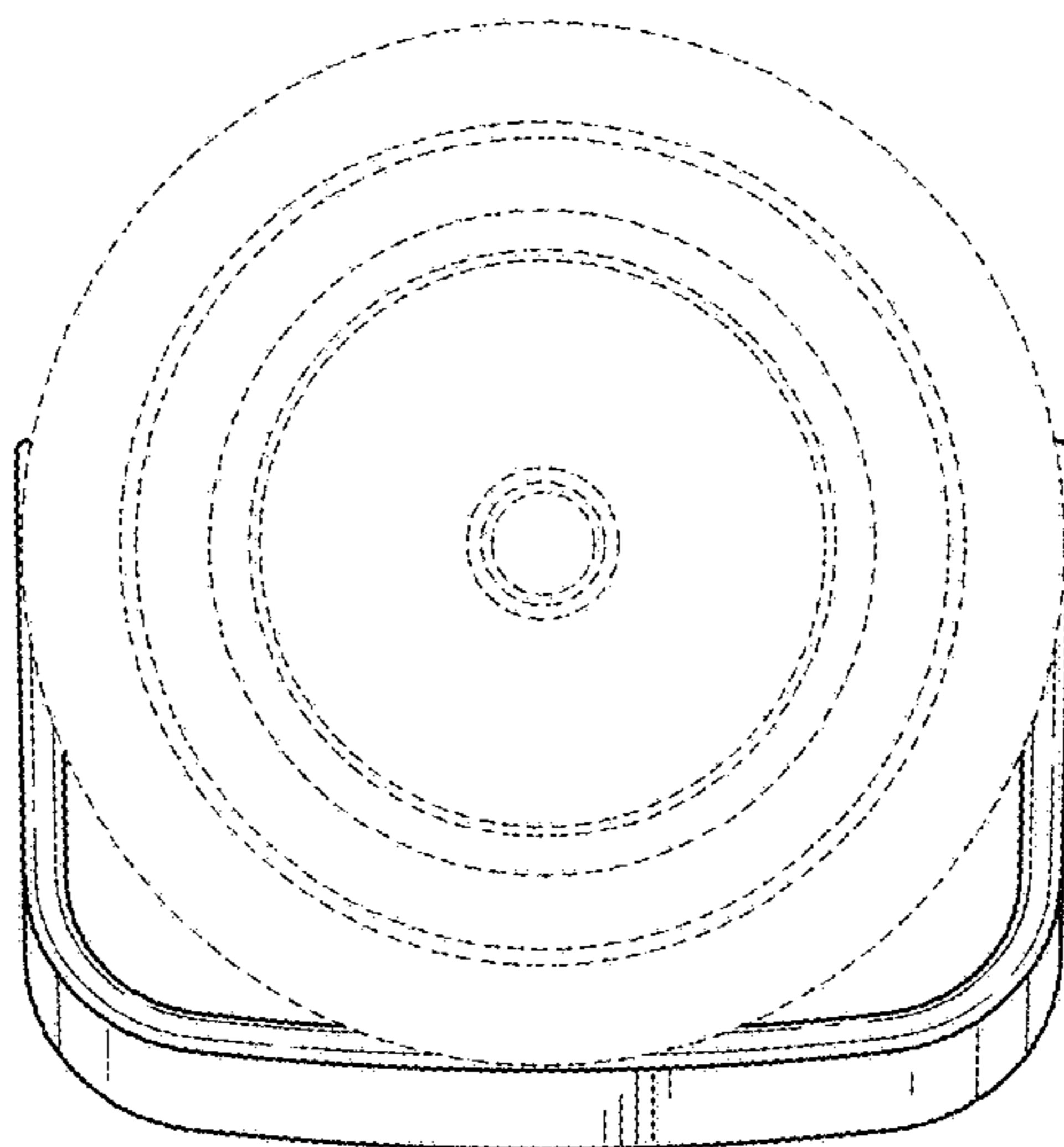


FIG. 6

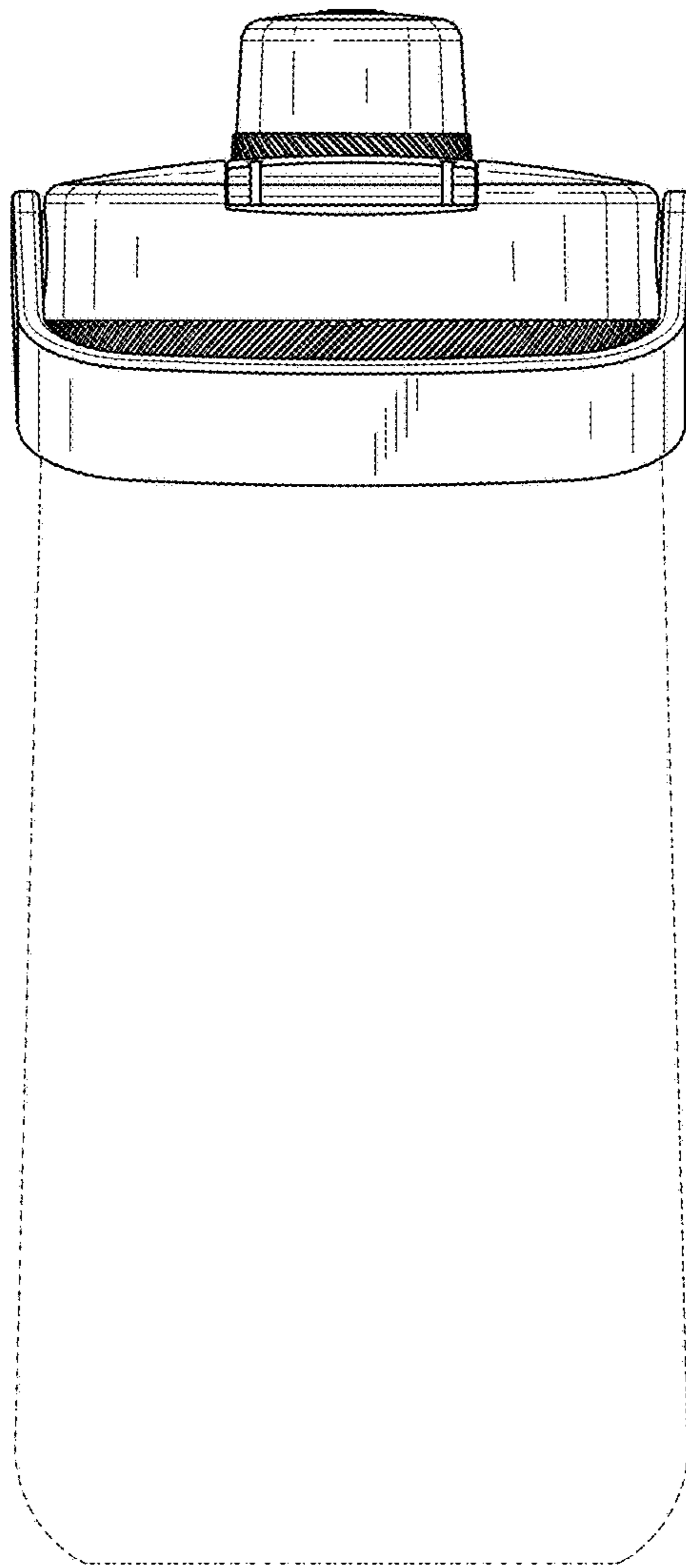


FIG. 7