

US00D867810S

(12) **United States Design Patent** (10) **Patent No.:** **US D867,810 S**
Hoare et al. (45) **Date of Patent:** **** Nov. 26, 2019**

(54) **BLENDER BASE**
(71) Applicant: **Breville Pty Limited**, Alexandria (AU)
(72) Inventors: **Richard Hoare**, Alexandria (AU);
David Davenport, Alexandria (AU);
Gregory Upston, Alexandria (AU)
(73) Assignee: **Breville Pty Limited**, Alexandria (AU)
(**) Term: **15 Years**

D538,595 S * 3/2007 White D7/413
D580,216 S * 11/2008 Ryan D7/384
D658,430 S * 5/2012 Hoare D7/376
D668,501 S * 10/2012 Hensel D7/376
D695,060 S * 12/2013 Penaherrera D7/376
D701,615 S * 3/2014 Pluska D24/220
D715,096 S * 10/2014 Thomas D7/376
D716,602 S * 11/2014 Thai D7/376
D734,979 S * 7/2015 Sanguinetti D7/376
D773,247 S * 12/2016 Barquin D7/376
D819,394 S * 6/2018 Han D7/384

(21) Appl. No.: **29/647,707**
(22) Filed: **May 15, 2018**

(30) **Foreign Application Priority Data**
Nov. 16, 2017 (AU) 201716982
(51) **LOC (12) Cl.** **31-00**
(52) **U.S. Cl.**

USPC **D7/386; D7/376; D7/378; D7/412**
(58) **Field of Classification Search**
USPC **D7/372, 376-386, 412-413, 602, 629,**
D7/665-666, 669, 679, 693-694;
D24/220

CPC **A21C 1/02; A21C 1/04; A23N 1/00; A23N**
1/02; A47J 43/04; A47J 43/25; A47J
43/27; A47J 43/042; A47J 43/044; A47J
43/046; A47J 43/075; A47J 43/0722;
A47J 43/0727; B01F 3/00; B01F 3/0807;
B01F 3/0853; B01F 13/0059; B01F
13/0064; B02C 1/08; B02C 2/04; B02C
4/42; B02C 4/142; B02C 4/143; B02C
4/423; B02C 13/1835; B28C 5/10; B28C
5/12; B28C 5/14; B28C 5/16

See application file for complete search history.

(56) **References Cited**
U.S. PATENT DOCUMENTS

D347,966 S * 6/1994 Doggett D7/378
D537,674 S * 3/2007 Davenport D7/378

FOREIGN PATENT DOCUMENTS

AU 349894 7/2013

* cited by examiner

Primary Examiner — Ricky Pham

(74) *Attorney, Agent, or Firm* — Moser Taboada

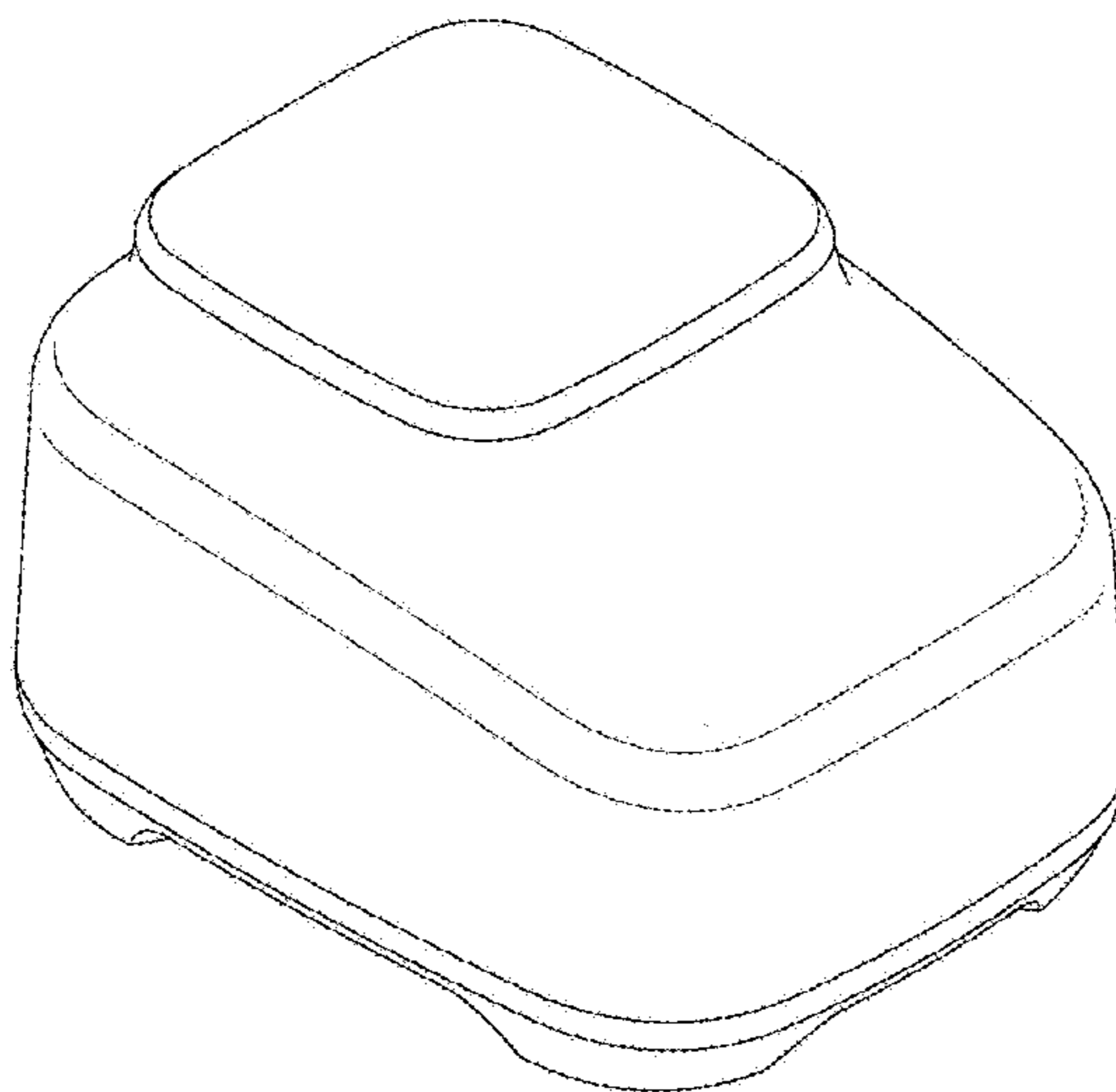
(57) **CLAIM**

The ornamental design for a blender base, as shown and described.

DESCRIPTION

FIG. 1 is a front isometric view of a blender base embodying the new design;
FIG. 2 is a rear isometric view of the design shown in FIG. 1;
FIG. 3 is a top view of the design shown in FIG. 1;
FIG. 4 is a bottom view of the design shown in FIG. 1;
FIG. 5 is a left side view of the design shown in FIG. 1;
FIG. 6 is a right side view of the design shown in FIG. 1;
FIG. 7 is a front side view of the design shown in FIG. 1;
and,
FIG. 8 is a rear side view of the design shown in FIG. 1.

1 Claim, 8 Drawing Sheets



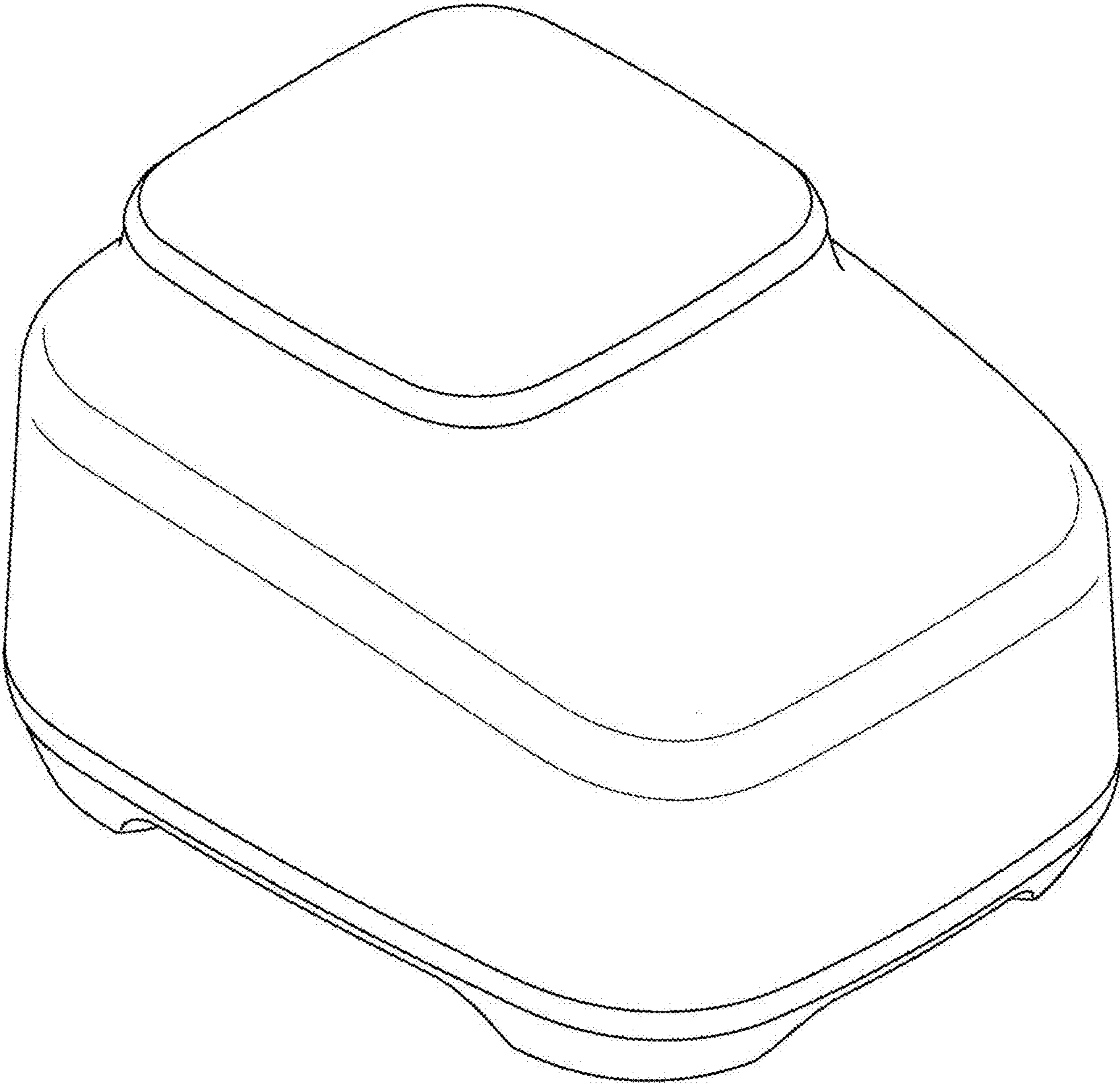


FIG. 1

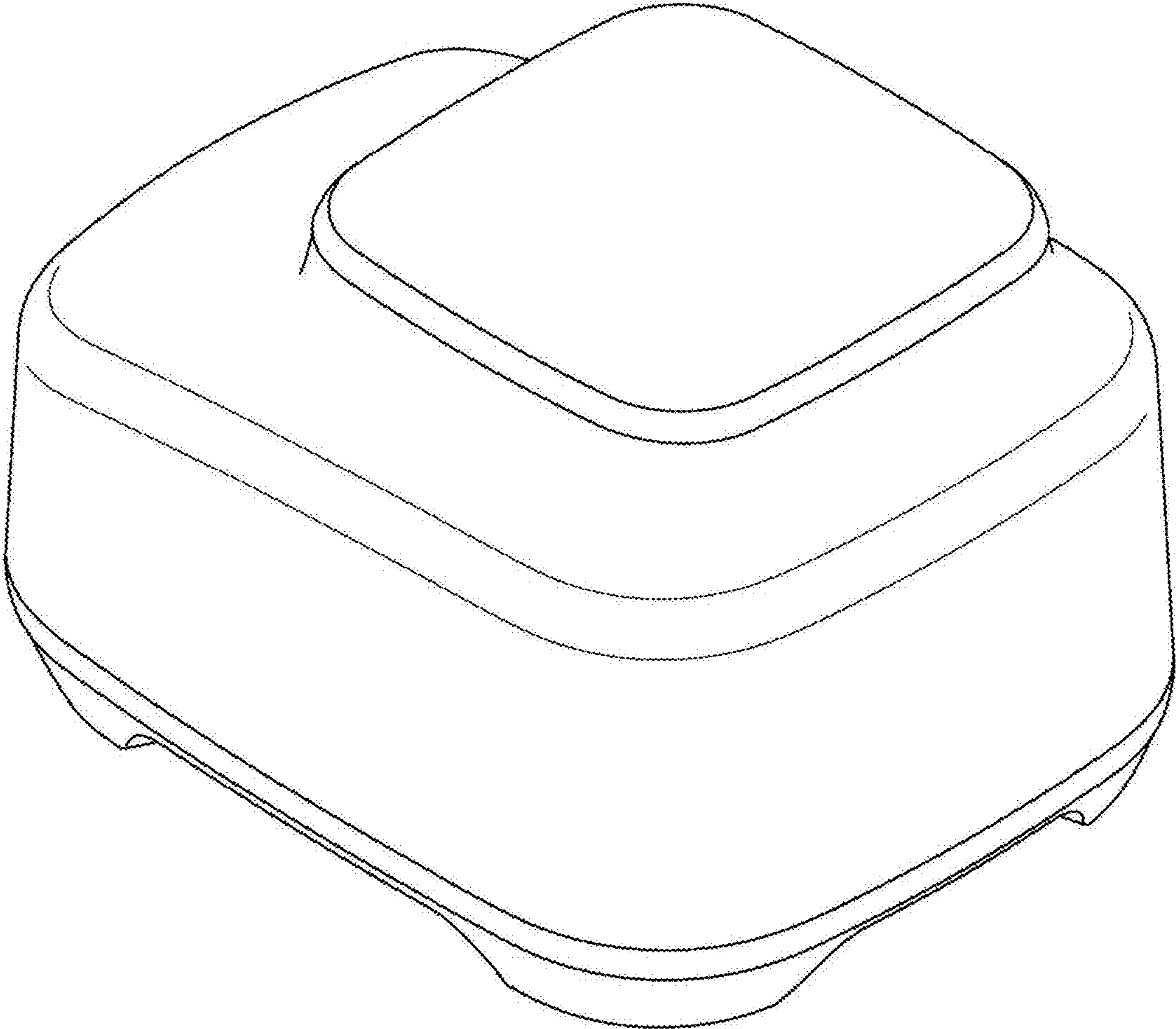


FIG. 2

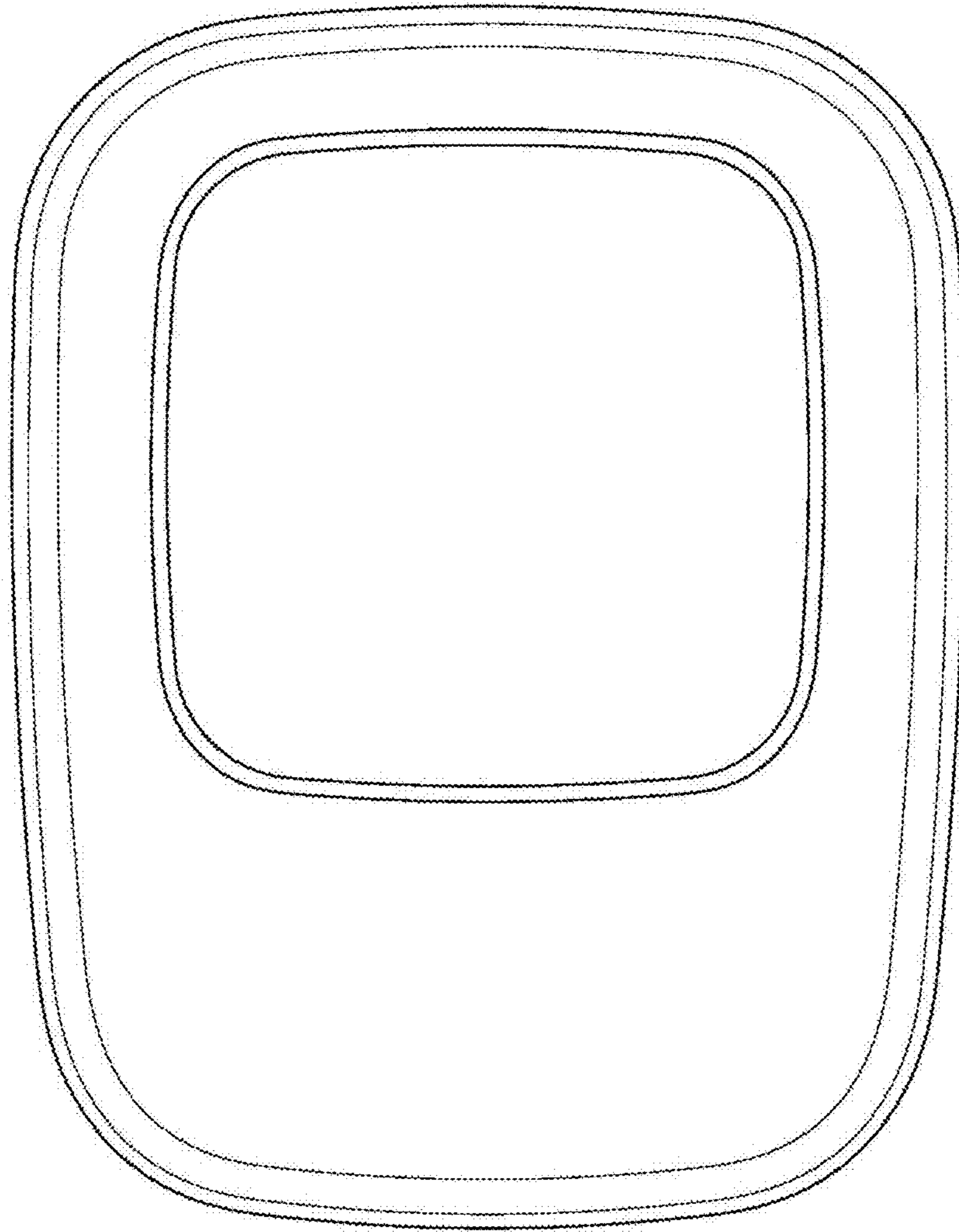


FIG. 3

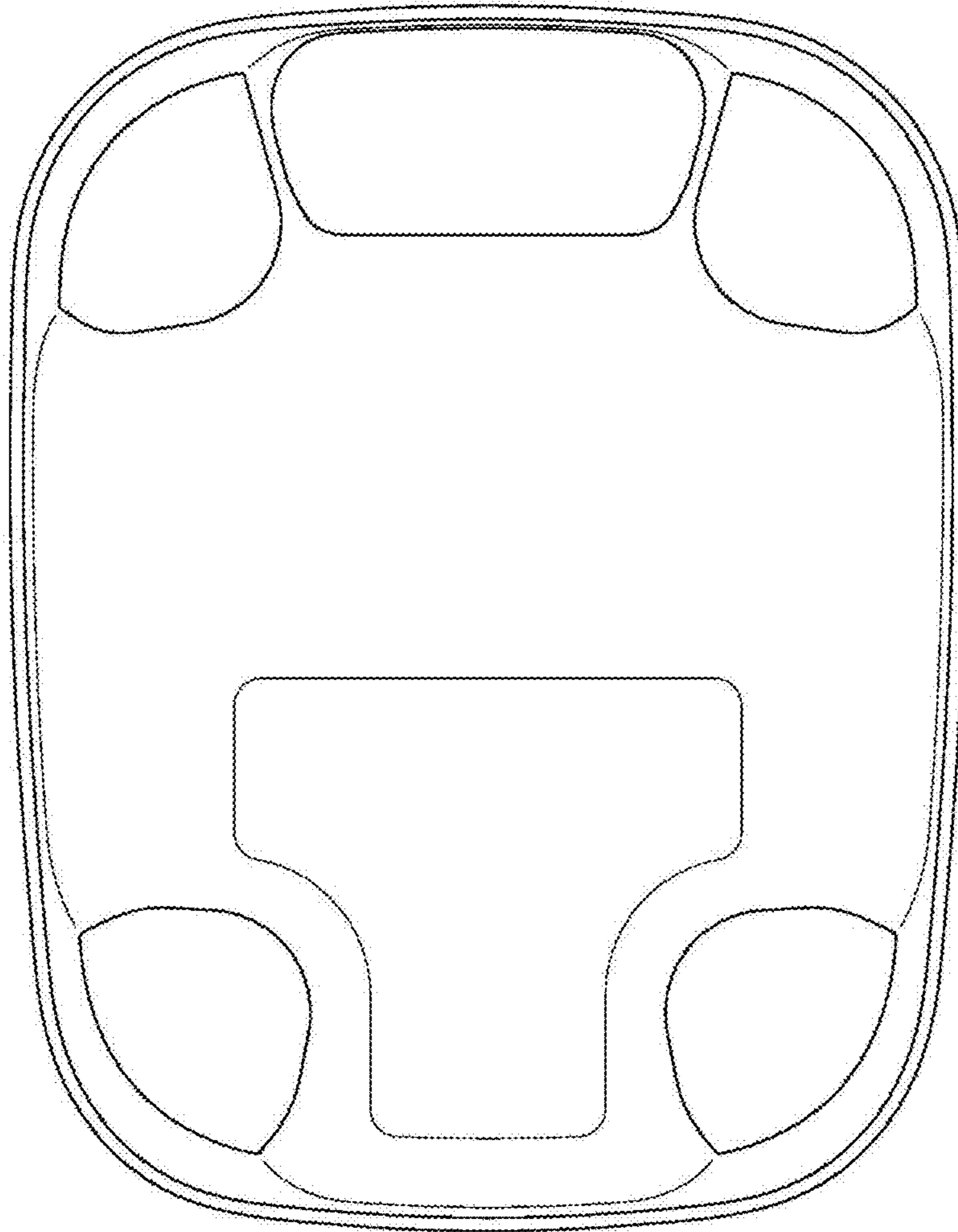


FIG. 4

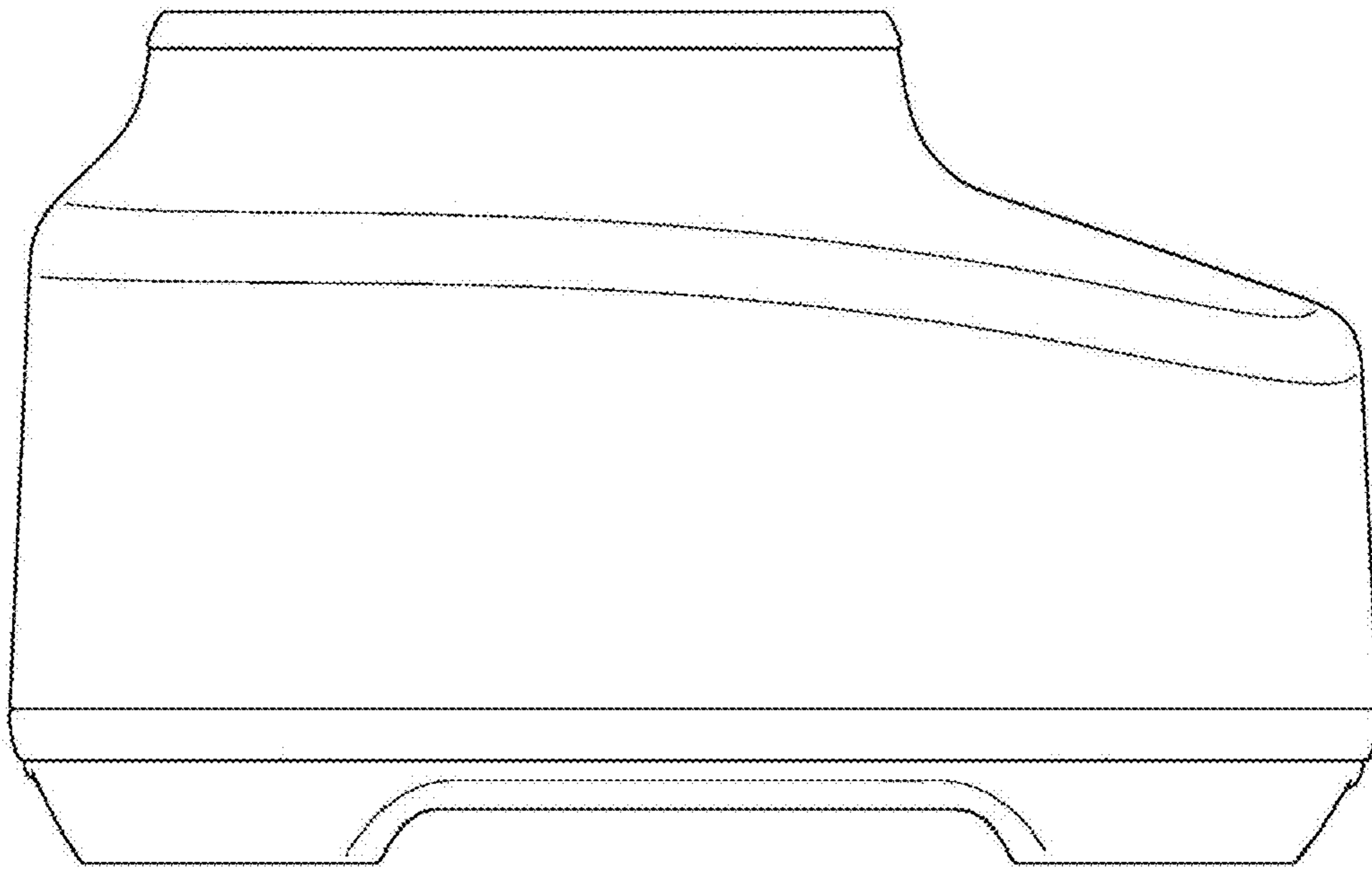


FIG. 5

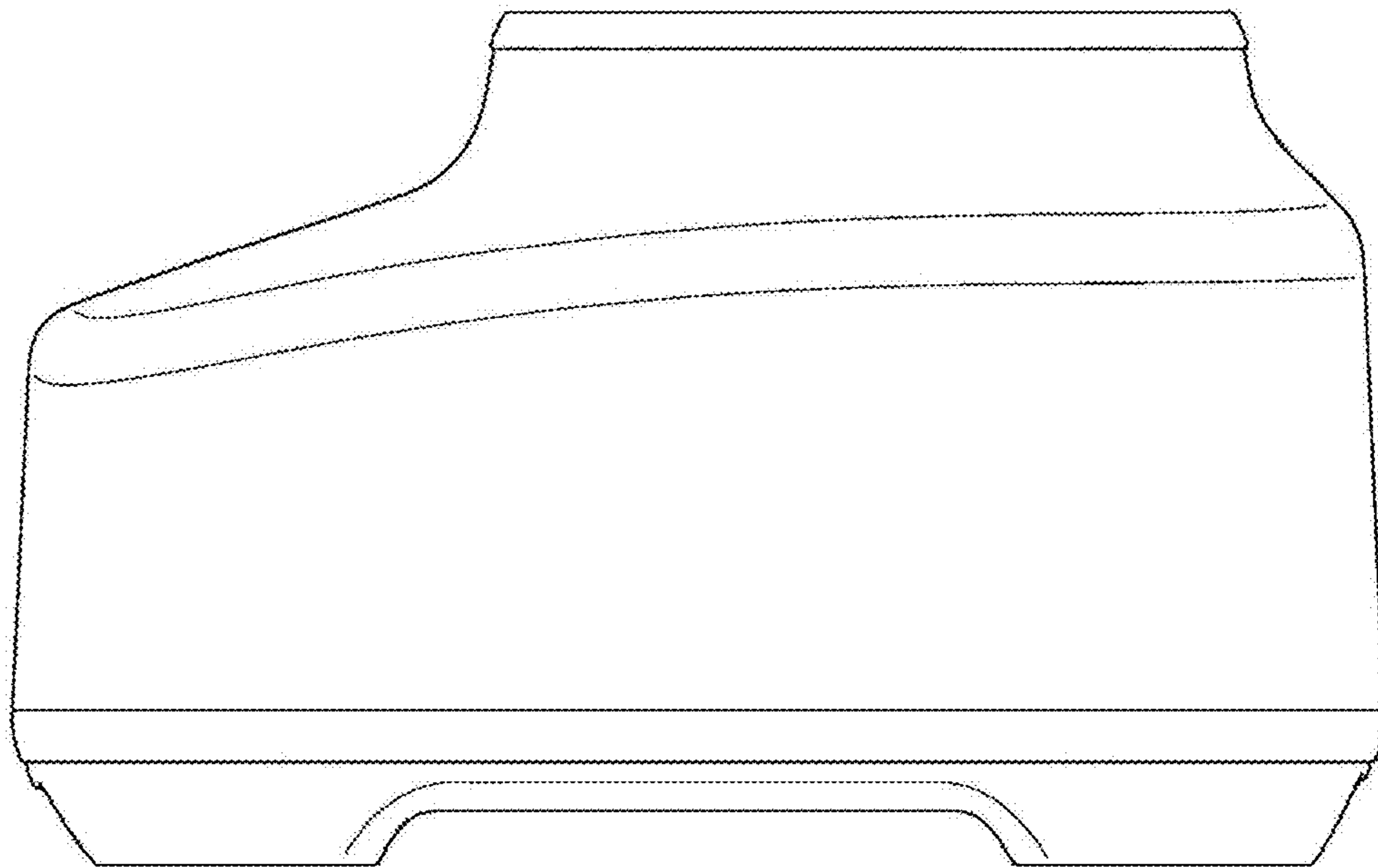


FIG. 6

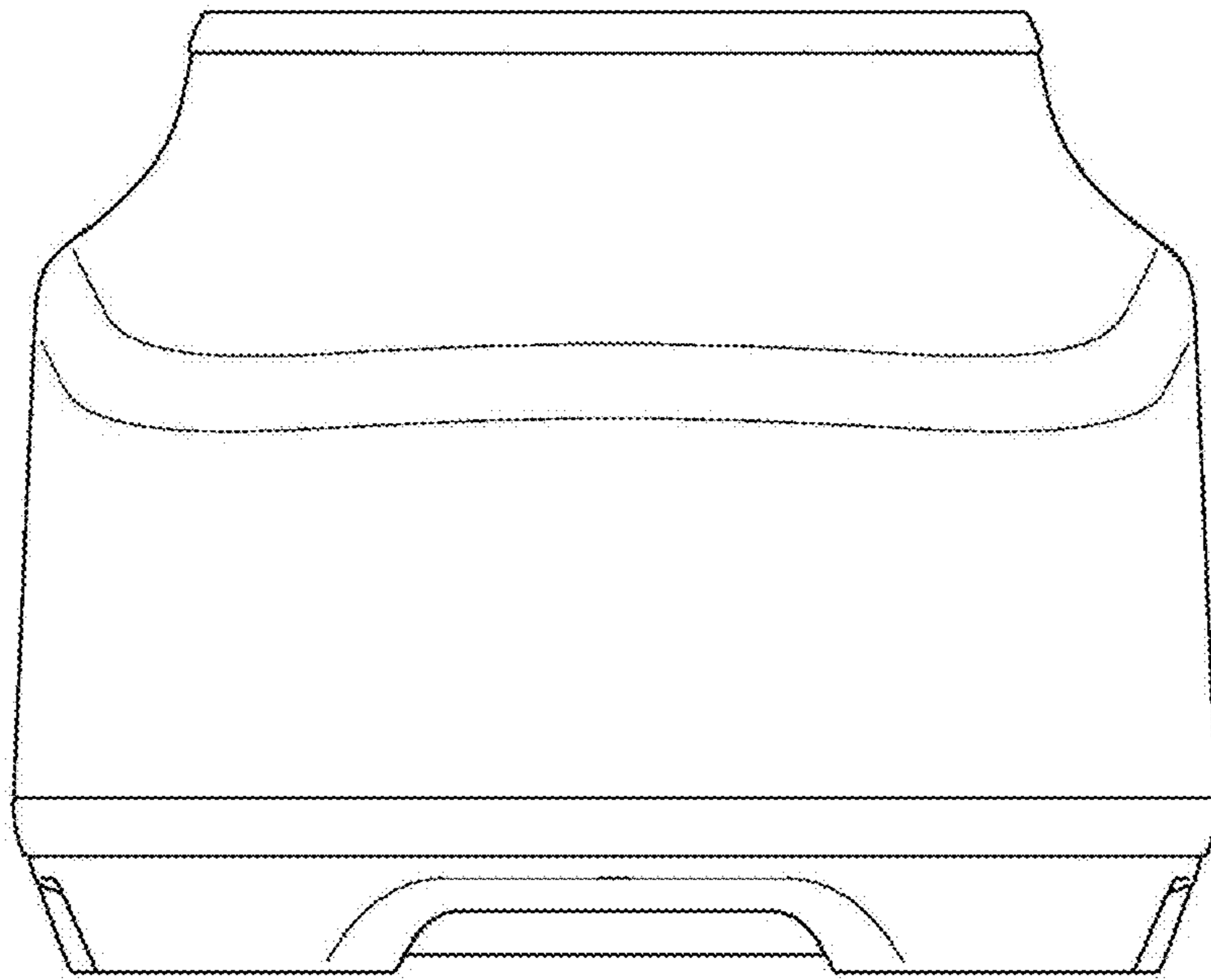


FIG. 7

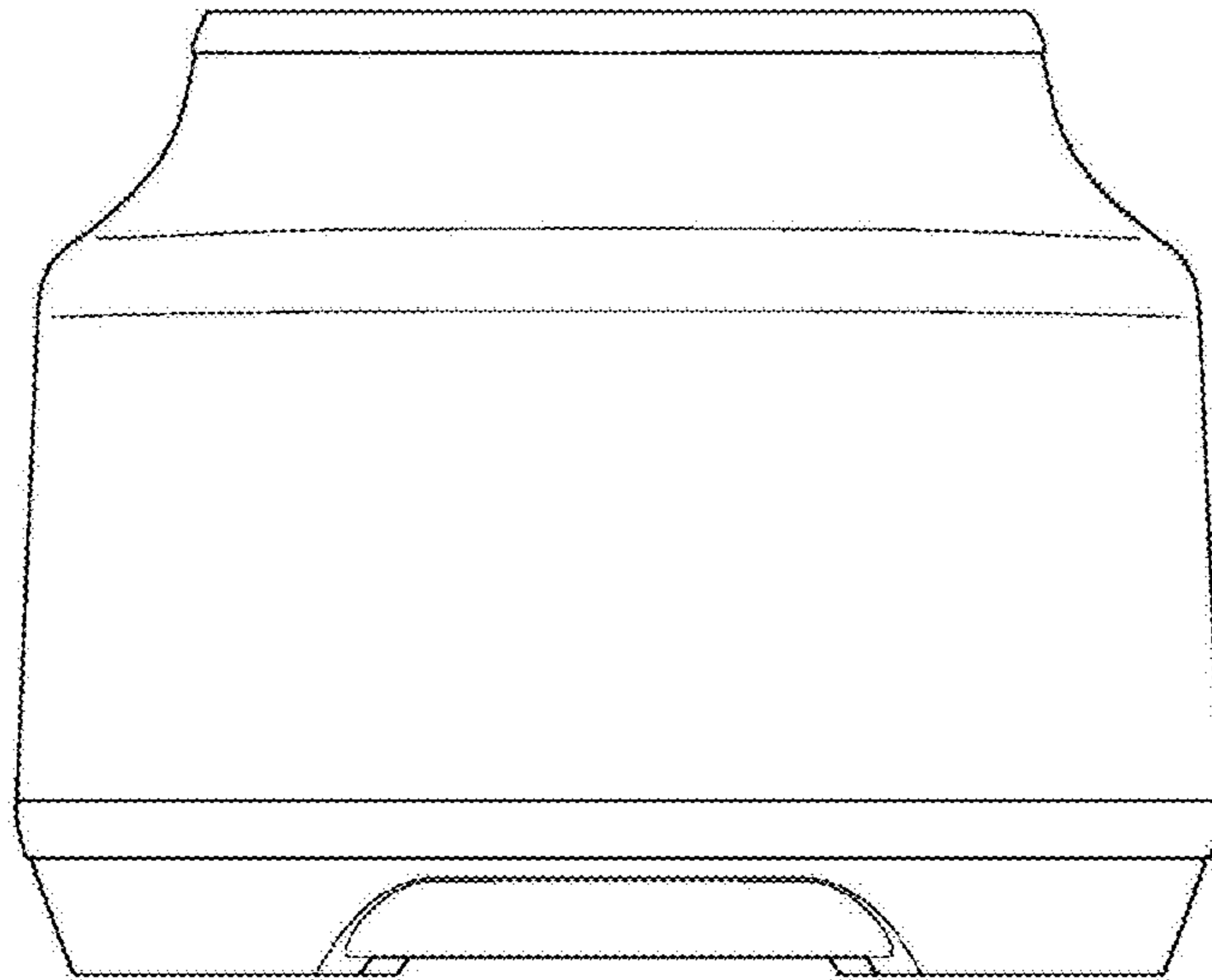


FIG. 8