



US00D867809S

(12) **United States Design Patent** (10) **Patent No.:** **US D867,809 S**  
**Hoare et al.** (45) **Date of Patent:** **\*\* Nov. 26, 2019**

(54) **FOOD PROCESSOR BASE**  
(71) Applicant: **Breville Pty Limited**, Alexandria (AU)  
(72) Inventors: **Richard Hoare**, Alexandria (AU);  
**David Davenport**, Alexandria (AU);  
**Adam Fransen**, Leichhardt (AU)  
(73) Assignee: **Breville Pty Limited**, Alexandria (AU)  
(\*\*) Term: **15 Years**

D538,595 S \* 3/2007 White ..... D7/413  
D580,216 S \* 11/2008 Ryan ..... D7/384  
D658,430 S \* 5/2012 Hoare ..... D7/376  
D668,501 S \* 10/2012 Hensel ..... D7/376  
D695,060 S \* 12/2013 Penaherrera ..... D7/376  
D701,615 S \* 3/2014 Pluska ..... D24/220  
D715,096 S \* 10/2014 Thomas ..... D7/376  
D716,602 S \* 11/2014 Thai ..... D7/376  
D734,979 S \* 7/2015 Sanguinetti ..... D7/376  
D773,247 S \* 12/2016 Barquin ..... D7/376  
D819,394 S \* 6/2018 Han ..... D7/384

(21) Appl. No.: **29/647,702**  
(22) Filed: **May 15, 2018**

(30) **Foreign Application Priority Data**

Nov. 16, 2017 (AU) ..... 201716979

(51) **LOC (12) Cl.** ..... **31-00**

(52) **U.S. Cl.**  
USPC ..... **D7/386; D7/376; D7/378; D7/412**

(58) **Field of Classification Search**  
USPC ..... **D7/372, 376-386, 412-413, 602, 629,**  
**D7/665-666, 669, 679, 693-694;**  
**D24/220**

CPC .... **A21C 1/02; A21C 1/04; A23N 1/00; A23N**  
**1/02; A47J 43/04; A47J 43/25; A47J**  
**43/27; A47J 43/042; A47J 43/044; A47J**  
**43/046; A47J 43/075; A47J 43/0722;**  
**A47J 43/0727; B01F 3/00; B01F 3/0807;**  
**B01F 3/0853; B01F 13/0059; B01F**  
**13/0064; B02C 1/08; B02C 2/04; B02C**  
**4/42; B02C 4/142; B02C 4/143; B02C**  
**4/423; B02C 13/1835; B28C 5/10; B28C**  
**5/12; B28C 5/14; B28C 5/16**

See application file for complete search history.

(56) **References Cited**

**U.S. PATENT DOCUMENTS**

D347,966 S \* 6/1994 Doggett ..... D7/378  
D537,674 S \* 3/2007 Davenport ..... D7/378

**FOREIGN PATENT DOCUMENTS**

AU 349894 7/2013

\* cited by examiner

*Primary Examiner* — Ricky Pham

(74) *Attorney, Agent, or Firm* — Moser Taboada

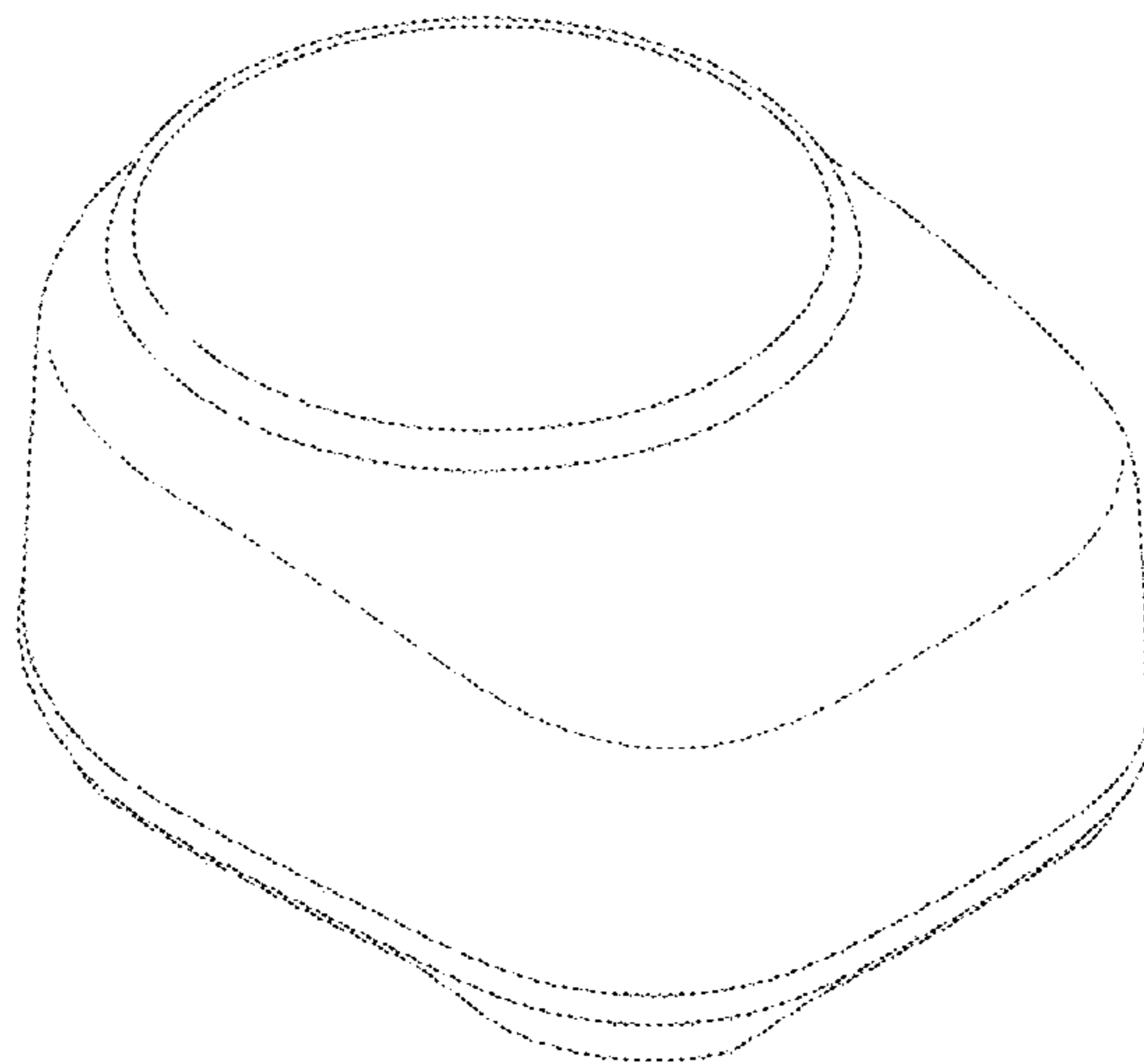
(57) **CLAIM**

The ornamental design for a food processor base, as shown and described.

**DESCRIPTION**

FIG. 1 is a front isometric view of a food processor base embodying the new design;  
FIG. 2 is a rear isometric view of the design shown in FIG. 1;  
FIG. 3 is a top view of the design shown in FIG. 1;  
FIG. 4 is a bottom view of the design shown in FIG. 1;  
FIG. 5 is a front side view of the design shown in FIG. 1;  
FIG. 6 is a rear side view of the design shown in FIG. 1;  
FIG. 7 is a right side view of the design shown in FIG. 1;  
and,  
FIG. 8 is a left side view of the design shown in FIG. 1.

**1 Claim, 8 Drawing Sheets**



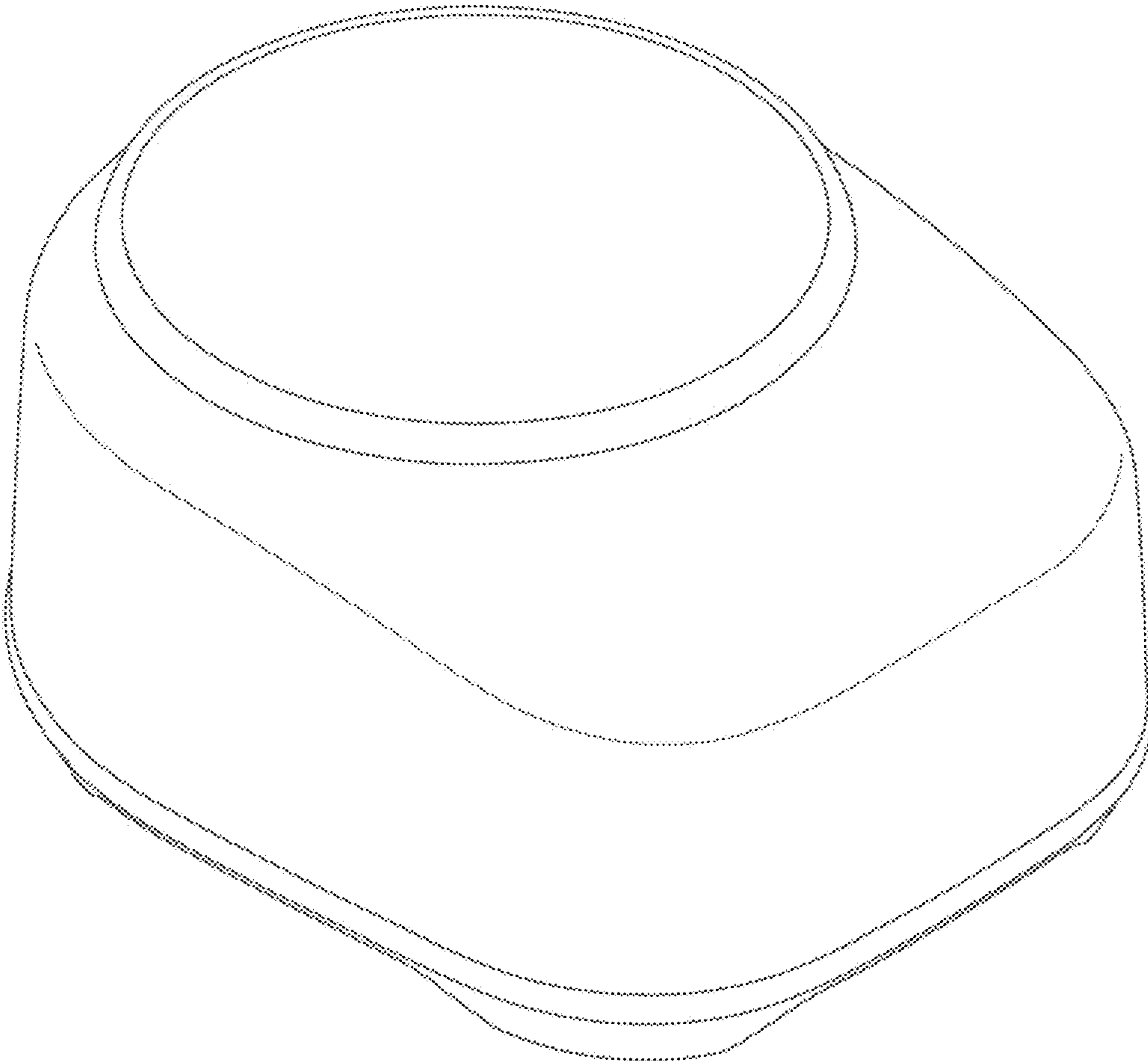


FIG. 1

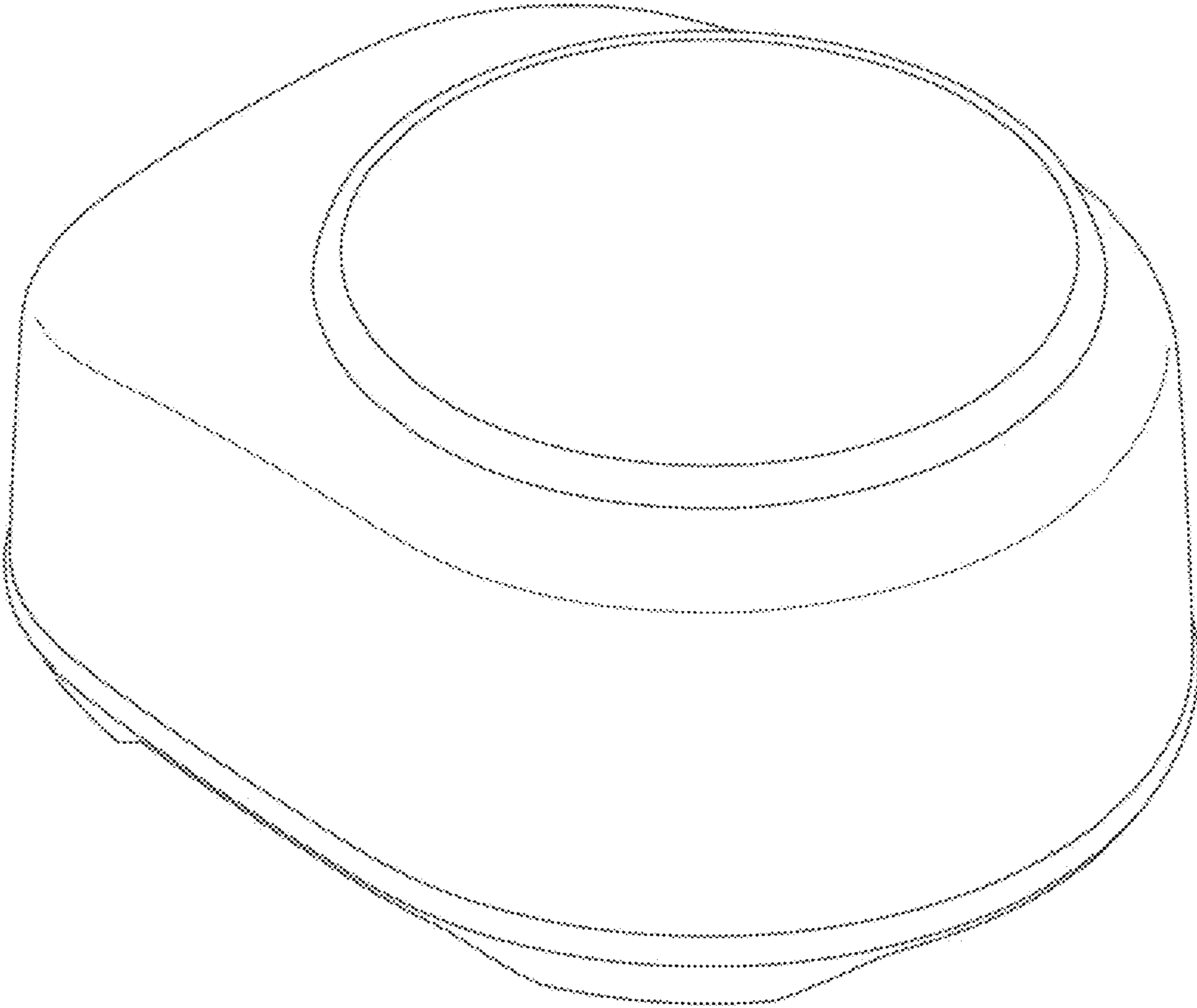


FIG. 2

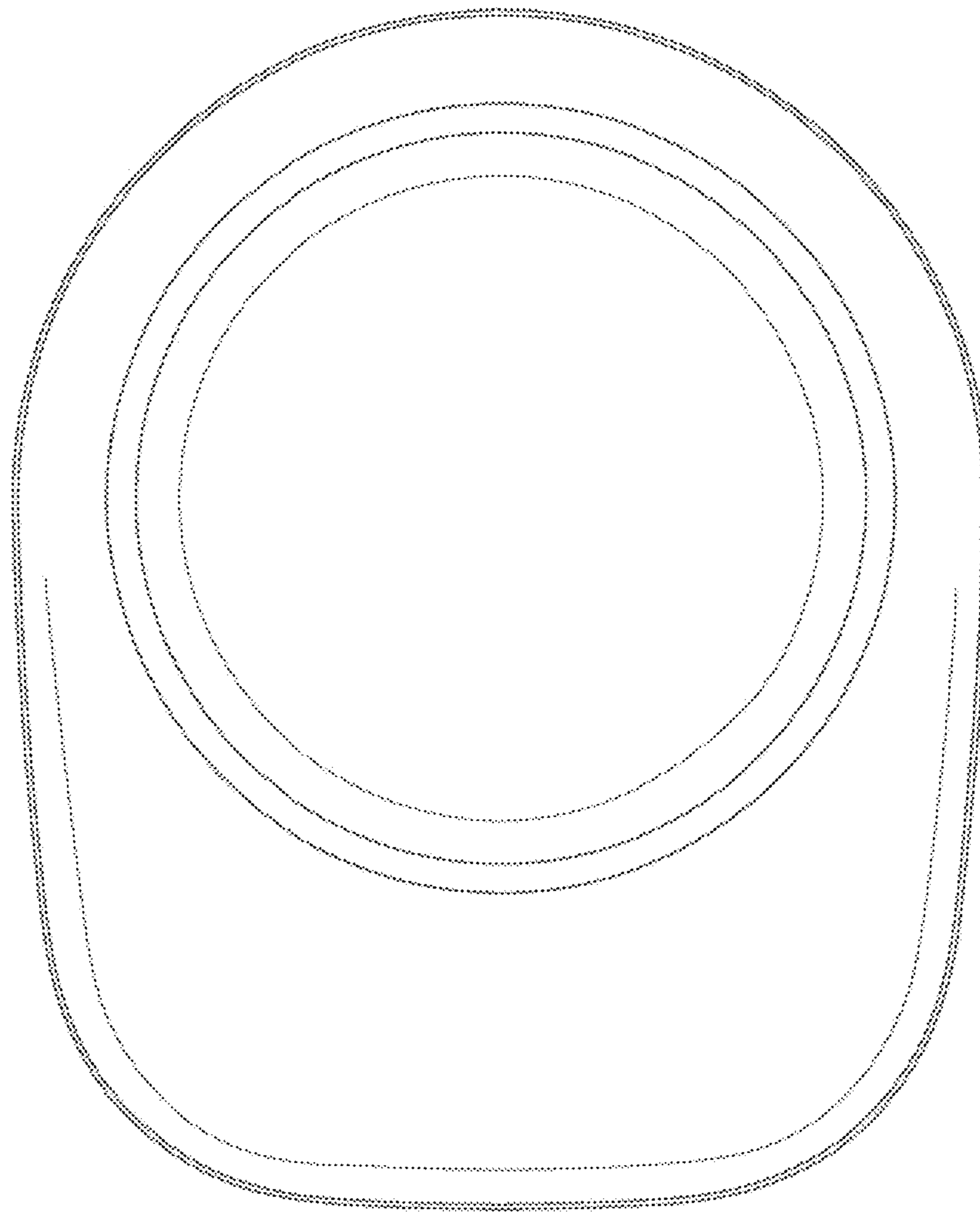


FIG. 3

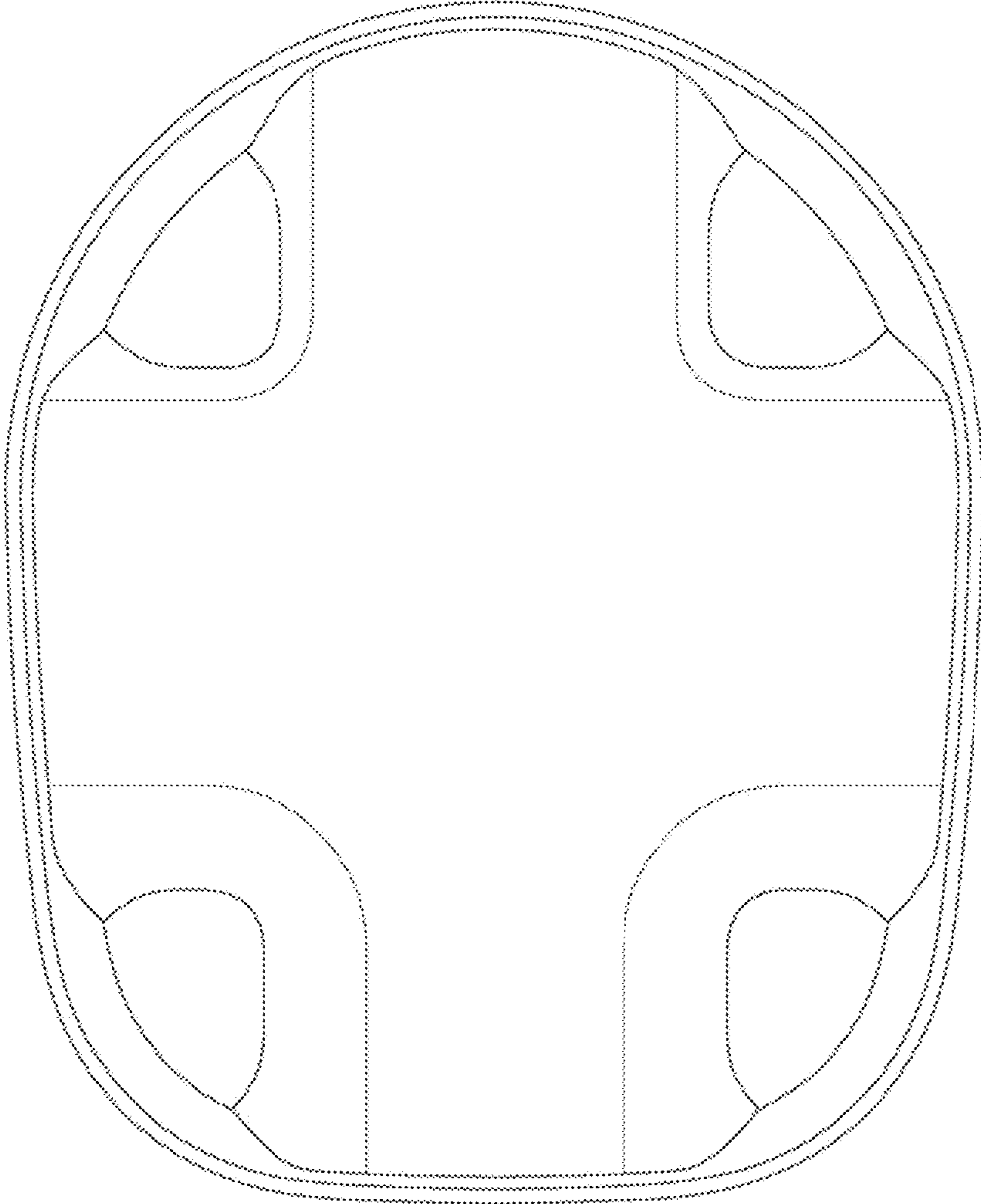


FIG. 4

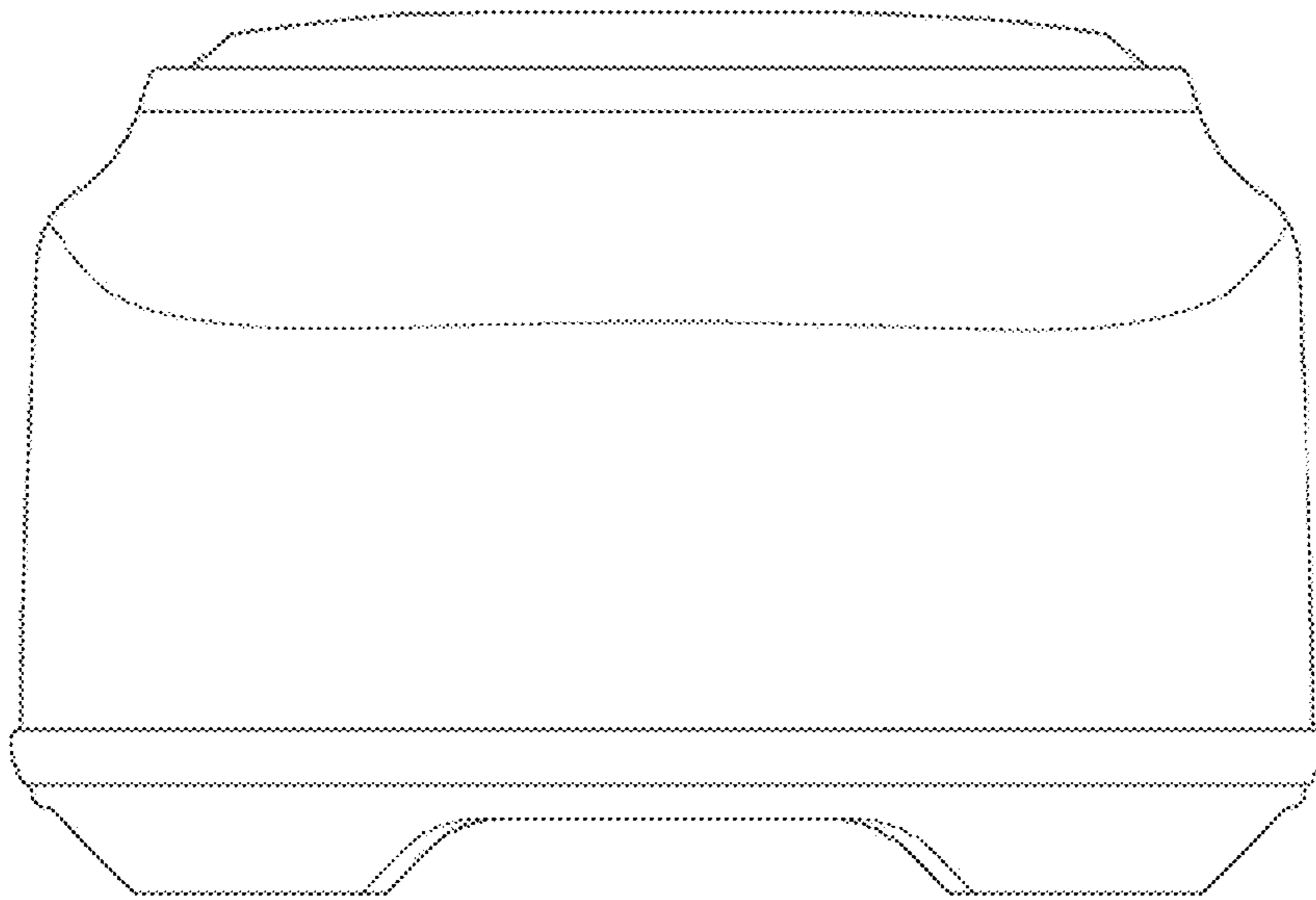


FIG. 5

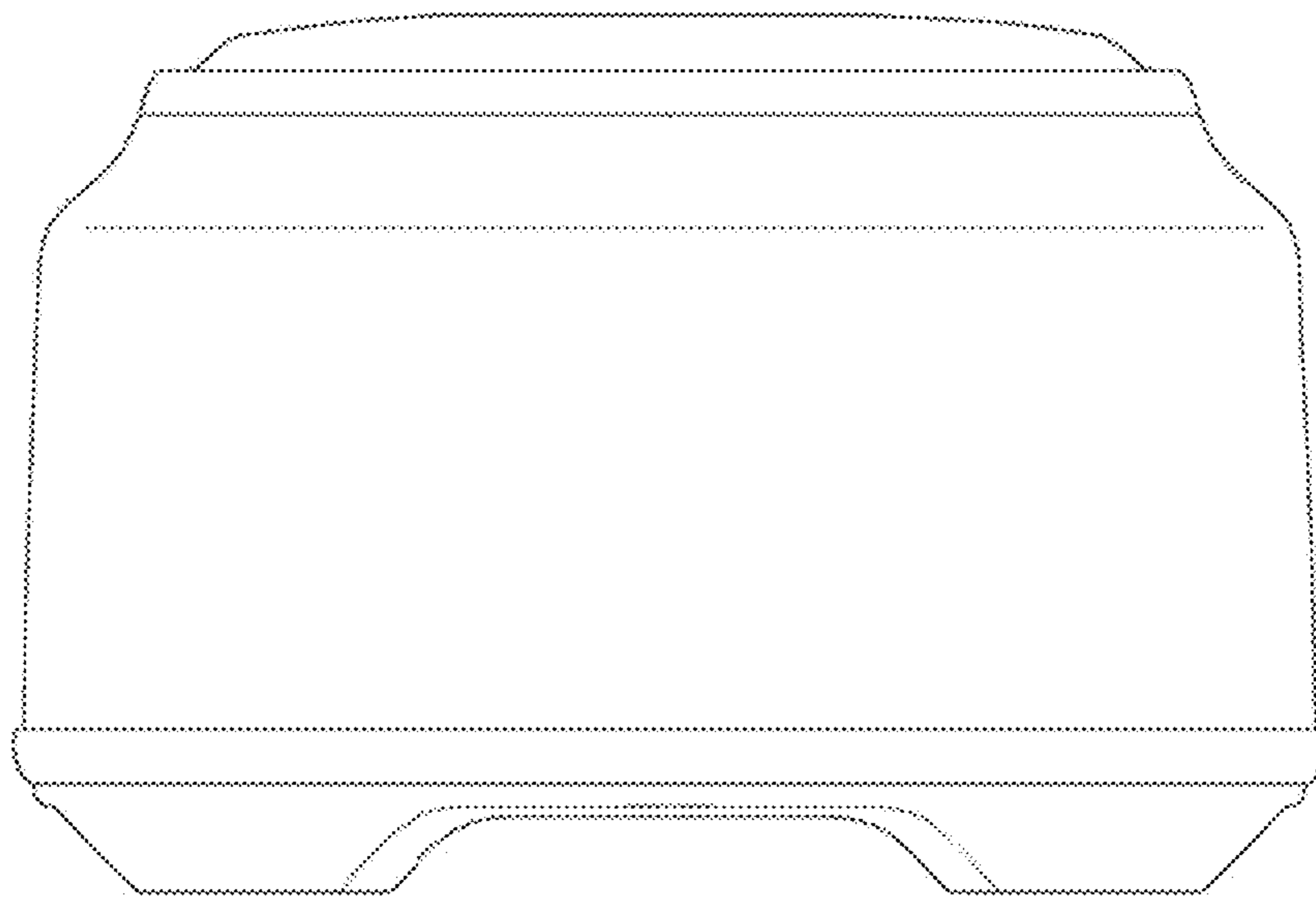


FIG. 6

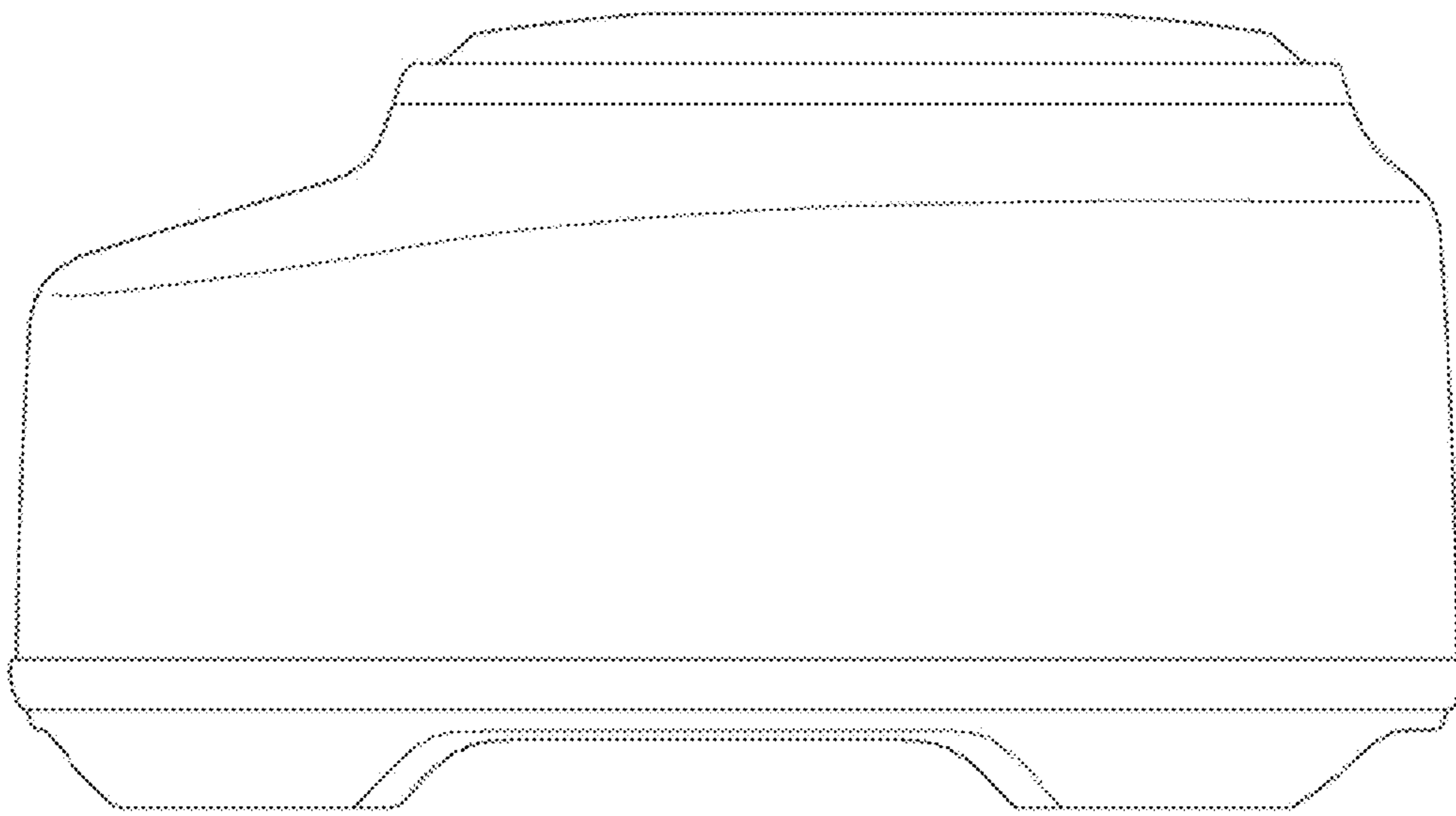


FIG. 7



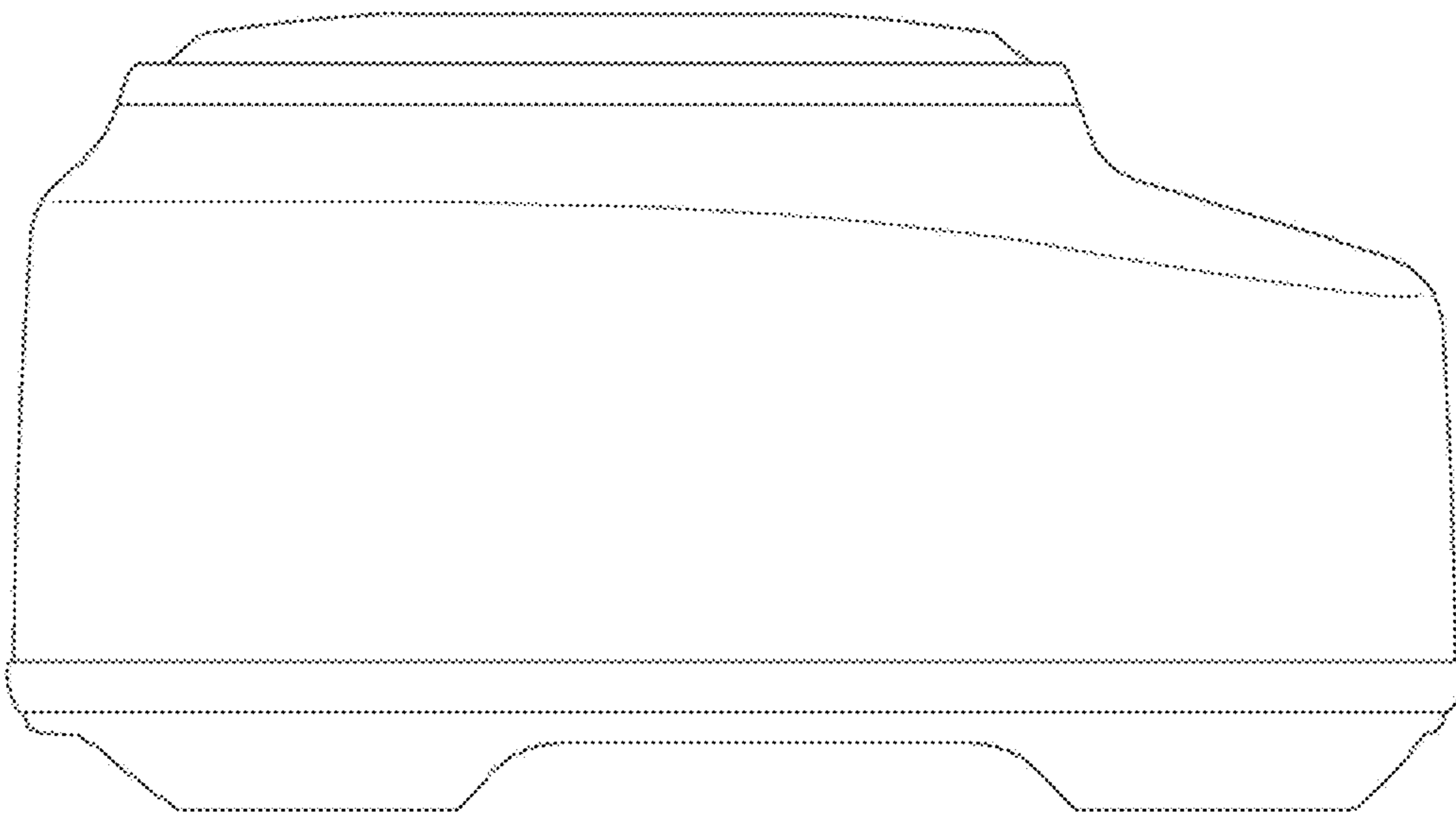


FIG. 8