

US00D867808S

(12) **United States Design Patent**  
**Cottam et al.**

(10) **Patent No.:** **US D867,808 S**

(45) **Date of Patent:** **\*\* \*Nov. 26, 2019**

- (54) **SPIRALIZER**
- (71) Applicants: **Steven Cottam**, Ivins, UT (US); **Phillip Dietz**, Saint George, UT (US)
- (72) Inventors: **Steven Cottam**, Ivins, UT (US); **Phillip Dietz**, Saint George, UT (US)

(\*) Notice: This patent is subject to a terminal disclaimer.

(\*\*) Term: **15 Years**

(21) Appl. No.: **29/597,172**

(22) Filed: **Mar. 15, 2017**

(51) **LOC (12) Cl.** ..... **31-00**

(52) **U.S. Cl.**  
USPC ..... **D7/384**; D7/412

(58) **Field of Classification Search**  
USPC ..... D7/376–386, 412  
CPC .. A47J 43/046; A47J 43/0716; A47J 43/0722;  
A47J 43/0788; A47J 43/255; B26D 1/14;  
B26D 1/143; B26D 1/15; B26D 1/153;  
B26D 1/157; B26D 1/18; B26D 1/28;  
B26D 1/29; B26D 3/11; B26D 3/185;  
B26D 5/00; B26D 5/06; B26D 5/08;  
B26D 5/10; B26D 5/12; B26D 5/22;  
B26D 5/26; B26D 5/38; B26D 5/42;  
B26D 7/00; B26D 7/01; B26D 7/08;  
B26D 7/12; B26D 7/18; B26D 7/1818;  
B26D 7/22; B26D 7/225; B26D 7/24;  
B26D 7/26; B26D 7/2614; B26D 7/2621;  
B26D 7/2628; B26D 7/2635; B26D 7/30;  
B26D 7/32; B26D 7/325; B27G 13/00;  
B27G 13/005; B27G 13/10

See application file for complete search history.

(56) **References Cited**

**U.S. PATENT DOCUMENTS**

- 4,369,680 A \* 1/1983 Williams ..... B26D 1/29  
241/92
- 4,471,915 A \* 9/1984 Levin ..... A47J 43/046  
241/282.1

- D319,754 S \* 9/1991 Maass ..... A47J 43/0716  
D7/379
- D327,391 S \* 6/1992 Maass ..... A47J 43/046  
D7/376
- D328,998 S \* 9/1992 Maass ..... B26D 1/29  
D7/376
- 7,252,252 B2 \* 8/2007 Mauch ..... A47J 43/0716  
241/282.1
- 7,444,909 B2 \* 11/2008 Repac ..... B26D 3/185  
83/167
- 8,833,683 B2 \* 9/2014 Beber ..... A47J 43/255  
241/286
- 10,028,619 B2 \* 7/2018 Aramburo ..... B26D 3/11
- 2008/0111011 A1 \* 5/2008 Wang ..... A47J 43/0788  
241/37.5
- 2008/0156913 A1 \* 7/2008 Orent ..... A47J 43/046  
241/37.5

(Continued)

*Primary Examiner* — Ricky Pham

(74) *Attorney, Agent, or Firm* — Zachary Renstrom

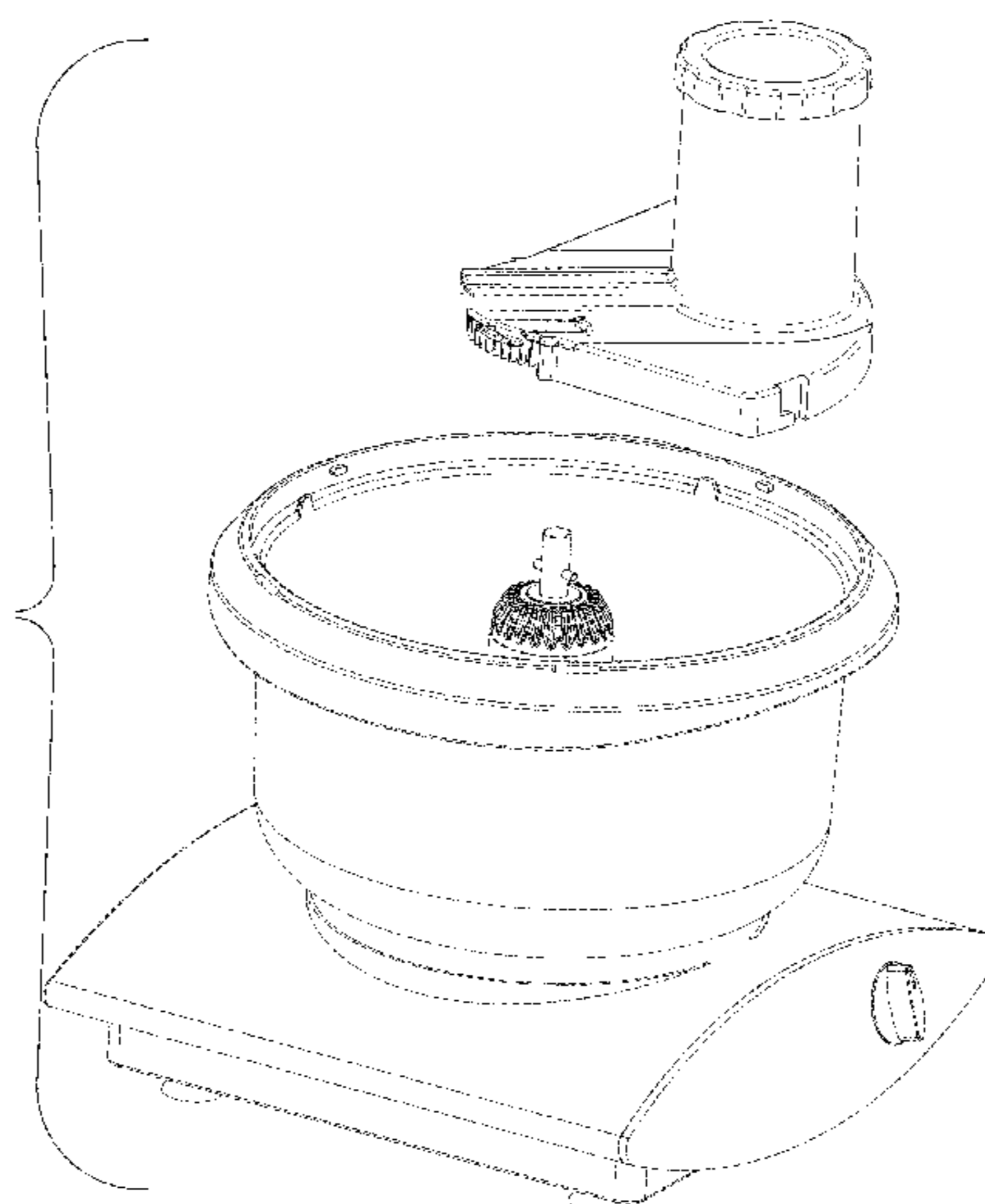
(57) **CLAIM**

The ornamental design for a spiralizer, as shown and described.

**DESCRIPTION**

FIG. 1 is a top perspective view of a spiralizer showing our new design;  
FIG. 2 is a bottom perspective view thereof;  
FIG. 3 is a side perspective view of the invention inserted into a kitchen mixer thereof;  
FIG. 4 is an exploded top perspective view thereof;  
FIG. 5 is an exploded bottom perspective view thereof; and,  
FIG. 6. is a side perspective view of the invention exploded from a kitchen mixer thereof.  
The broken line shown in the drawings are for illustrative purpose only and form no part of the claimed design.

**1 Claim, 5 Drawing Sheets**



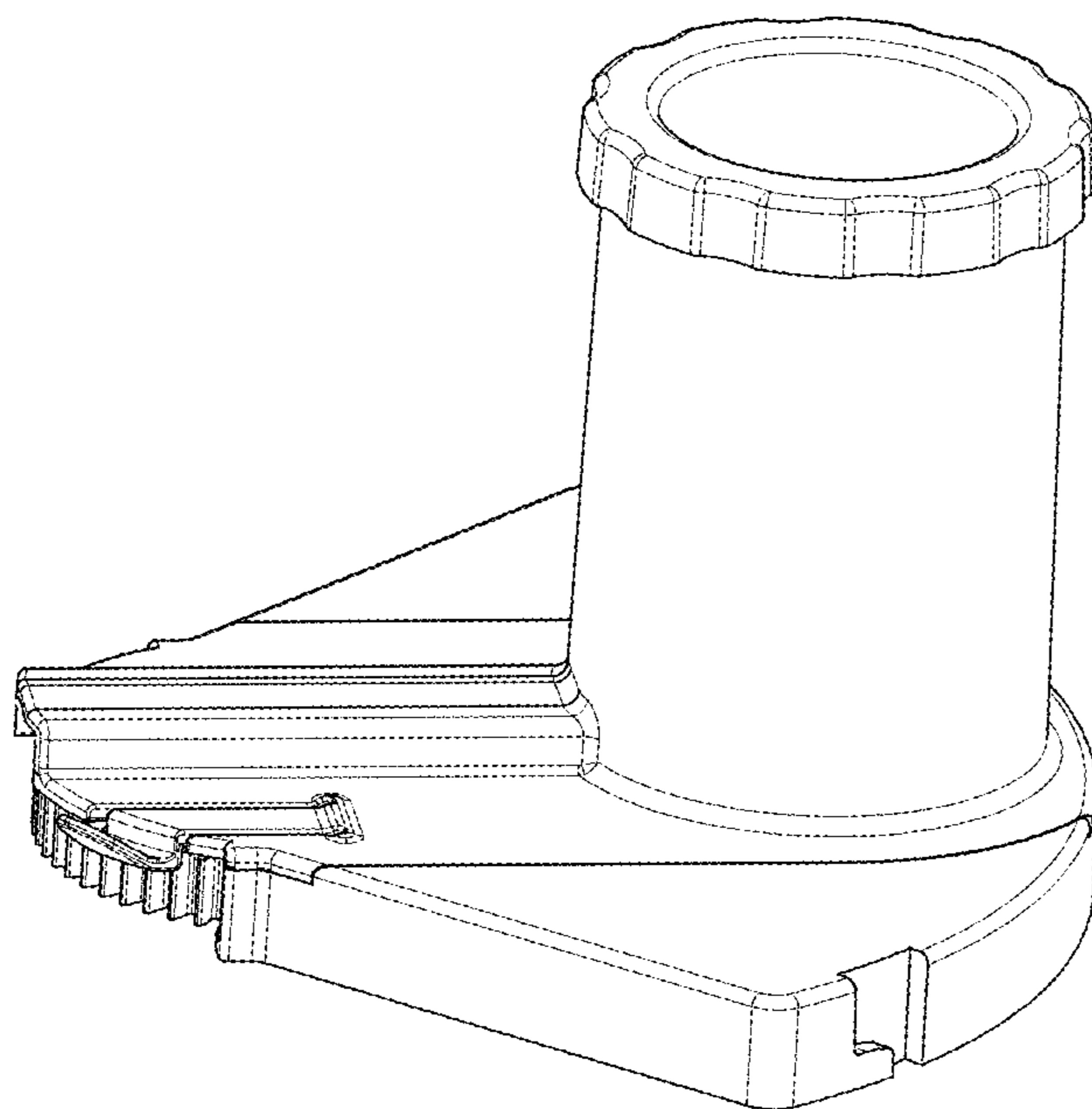
(56)

**References Cited**

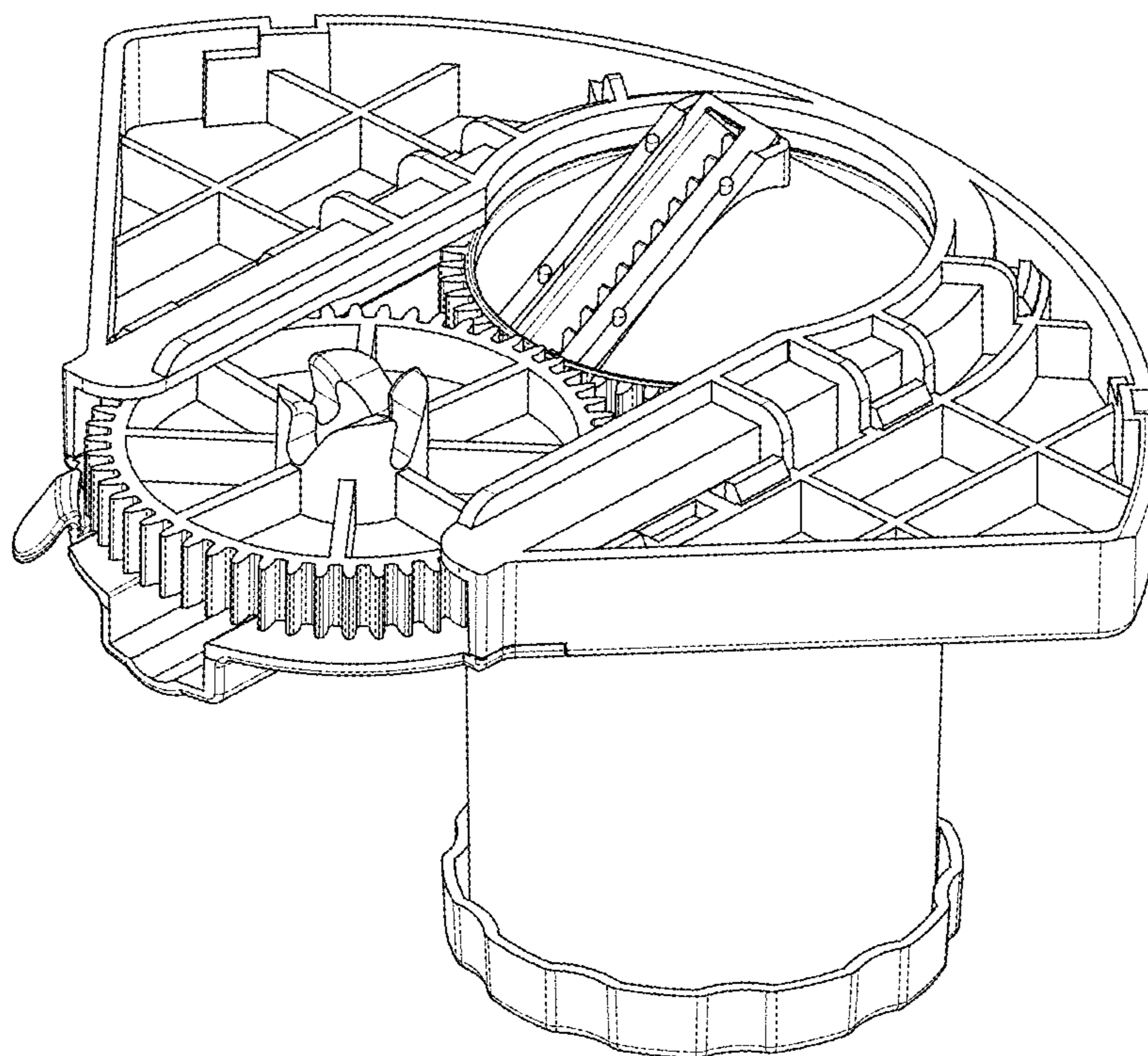
U.S. PATENT DOCUMENTS

2008/0163768 A1\* 7/2008 Glucksman ..... A47J 43/0722  
99/537  
2016/0101533 A1\* 4/2016 Aramburo ..... B26D 3/11  
241/101.4

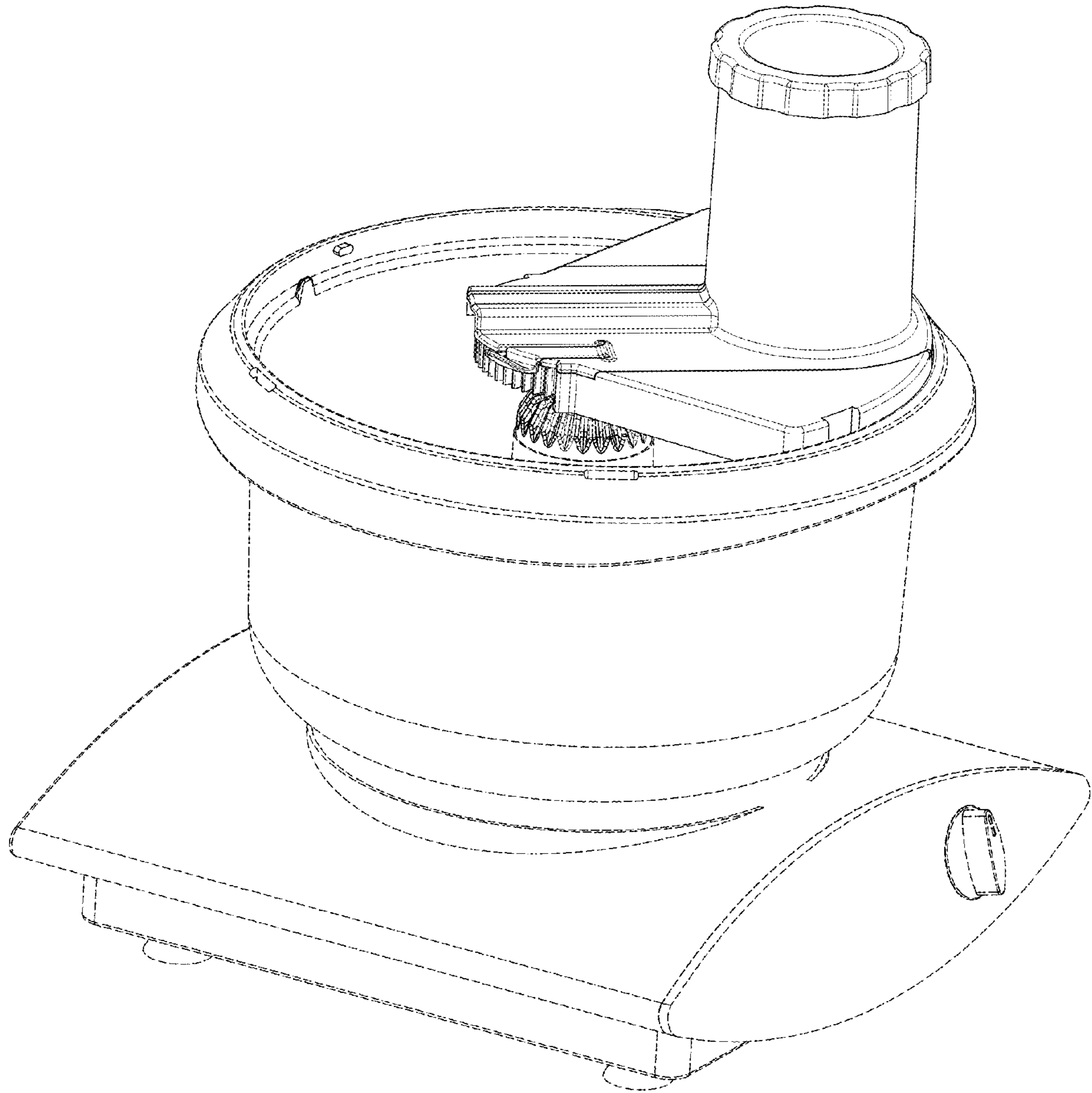
\* cited by examiner



**FIG. 1**



**FIG. 2**



**FIG. 3**

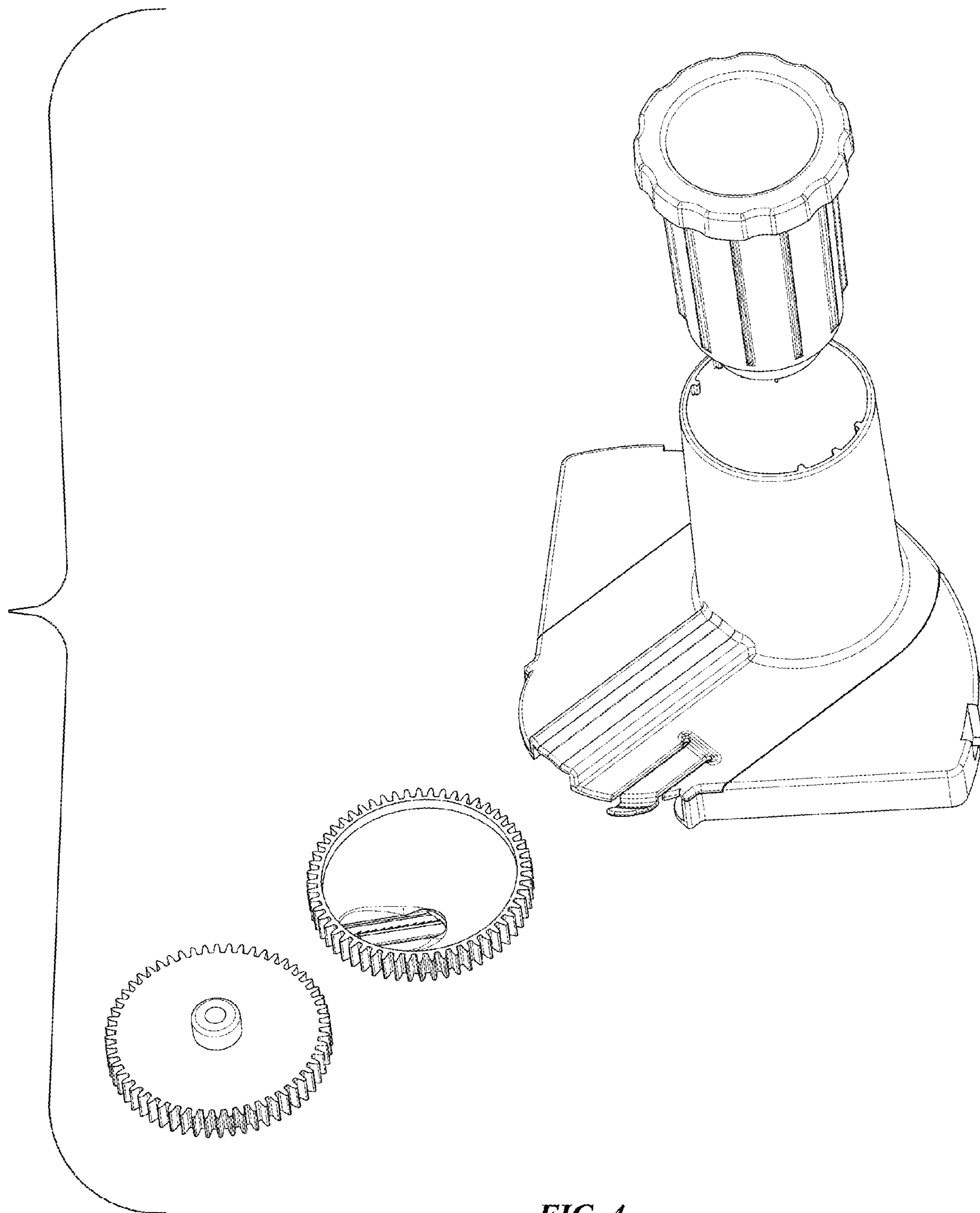


FIG. 4

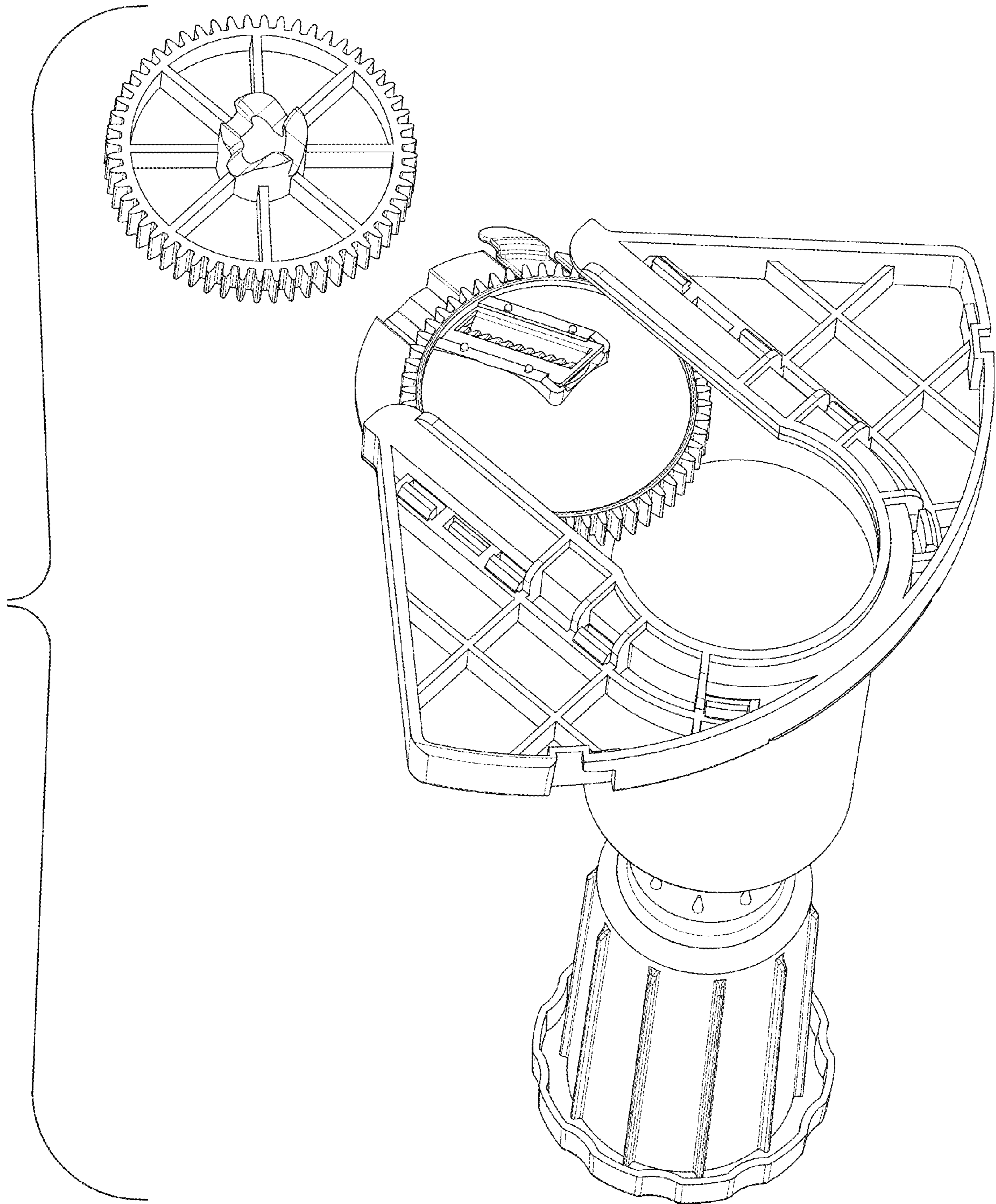


FIG. 5

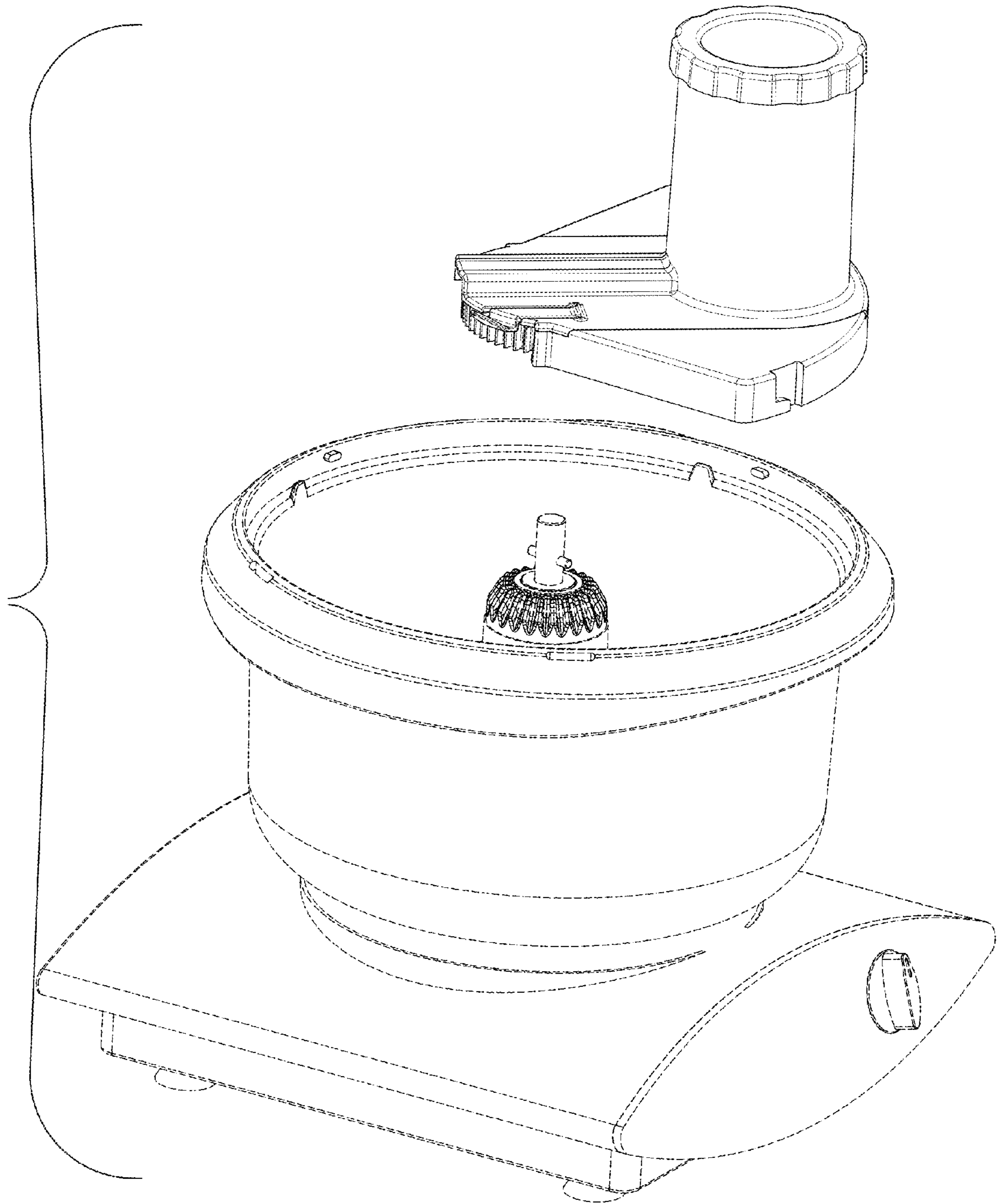


FIG. 6