



US00D867804S

(12) **United States Design Patent**
Gronkowski

(10) **Patent No.:** **US D867,804 S**

(45) **Date of Patent:** **** Nov. 26, 2019**

(54) **CUP AGITATOR**

(71) Applicant: **Ice Shaker, LLC**, Colleyville, TX (US)

(72) Inventor: **Christopher Michael Gronkowski**,
Colleyville, TX (US)

(73) Assignee: **ICE SHAKER, LLC**, Colleyville, TX
(US)

(**) Term: **15 Years**

(21) Appl. No.: **29/631,204**

(22) Filed: **Dec. 28, 2017**

(51) **LOC (12) Cl.** **31-00**

(52) **U.S. Cl.**
USPC **D7/376**

(58) **Field of Classification Search**
USPC D7/306, 309, 372, 374, 376, 377, 378,
D7/379, 380, 381, 383, 384, 385, 386,
D7/412, 413, 598, 694
CPC .. A47J 43/04; A47J 43/25; A47J 43/27; A47J
43/042; A47J 43/044; A47J 43/046; A47J
43/075; A47J 43/0722; A47J 43/0727;
A47J 42/40; A21C 1/02; A21C 1/04;
A23G 9/045; A23N 1/00; A23N 1/02;
B01F 3/00; B01F 3/0807; B01F 3/0853;
B01F 13/0059; B01F 13/0064; B02C
1/08; B02C 2/04; B02C 4/42; B02C
4/142; B02C 4/143; B02C 4/423; B02C
13/1835; B28C 5/10; B28C 5/12; B28C
5/14; B28C 5/16

See application file for complete search history.

(56) **References Cited**

U.S. PATENT DOCUMENTS

D465,697 S * 11/2002 Renz D7/376
D476,522 S * 7/2003 Renz D7/376
D511,071 S * 11/2005 Xu D7/412
D557,984 S * 12/2007 Kozlowski D7/412
D650,230 S * 12/2011 Drees D7/376
D768,437 S * 10/2016 Lane D7/376
D776,482 S * 1/2017 Lin D7/376

D799,262 S * 10/2017 Feng D7/384
D799,890 S * 10/2017 McClory D7/375
D836,394 S * 12/2018 Blofeld D7/413
2016/0029847 A1 * 2/2016 Friedman A47J 43/27
366/130

OTHER PUBLICATIONS

THERMOS Shaker Bottle with Integrated Stationary Mixer, posted Mar. 19, 2016 [online], retrieved Jan. 15, 2019, retrieved from internet, <<https://www.amazon.com/THERMOS-Shaker-Integrated-Stationary-24-Ounce/dp/B01D6KDK52>>.*

Ice Shaker vs Blender Bottle, posted Oct. 1, 2017 [online] 02:54, retrieved Jan. 15, 2019, retrieved from internet, <<https://www.youtube.com/watch?v=r1RuLGQs6g4>>.*

Ice Shaker Insulated Protein Shaker Bottle, posted Oct. 15, 2017 [online], retrieved Jan. 15, 2019, retrieved from internet, <<https://allsharktankproducts.com/shark-tank-products-sports/ice-shaker-insulated-protein-shaker-bottle/>>.*

* cited by examiner

Primary Examiner — Barbara Fox

Assistant Examiner — Messina L Smith

(74) *Attorney, Agent, or Firm* — Frank M. Caprio; Ryan J. Letson; Bradley Arant Boult Cummings LLP

(57) **CLAIM**

The ornamental design for a cup agitator, as shown and described.

DESCRIPTION

FIG. 1 is a bottom perspective view of a cup agitator showing the new design, showing the agitator, cup lid, and cup handle.

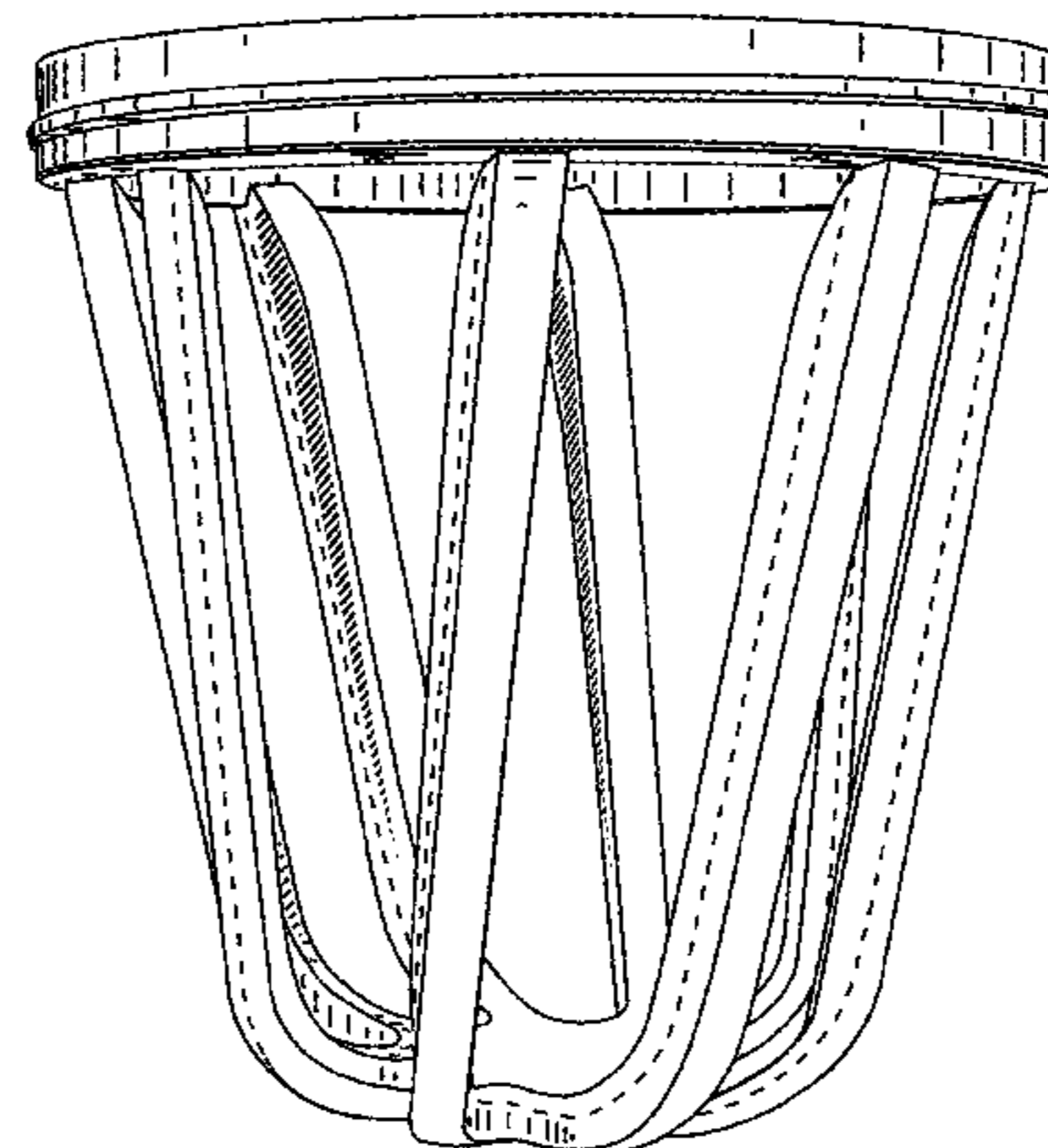
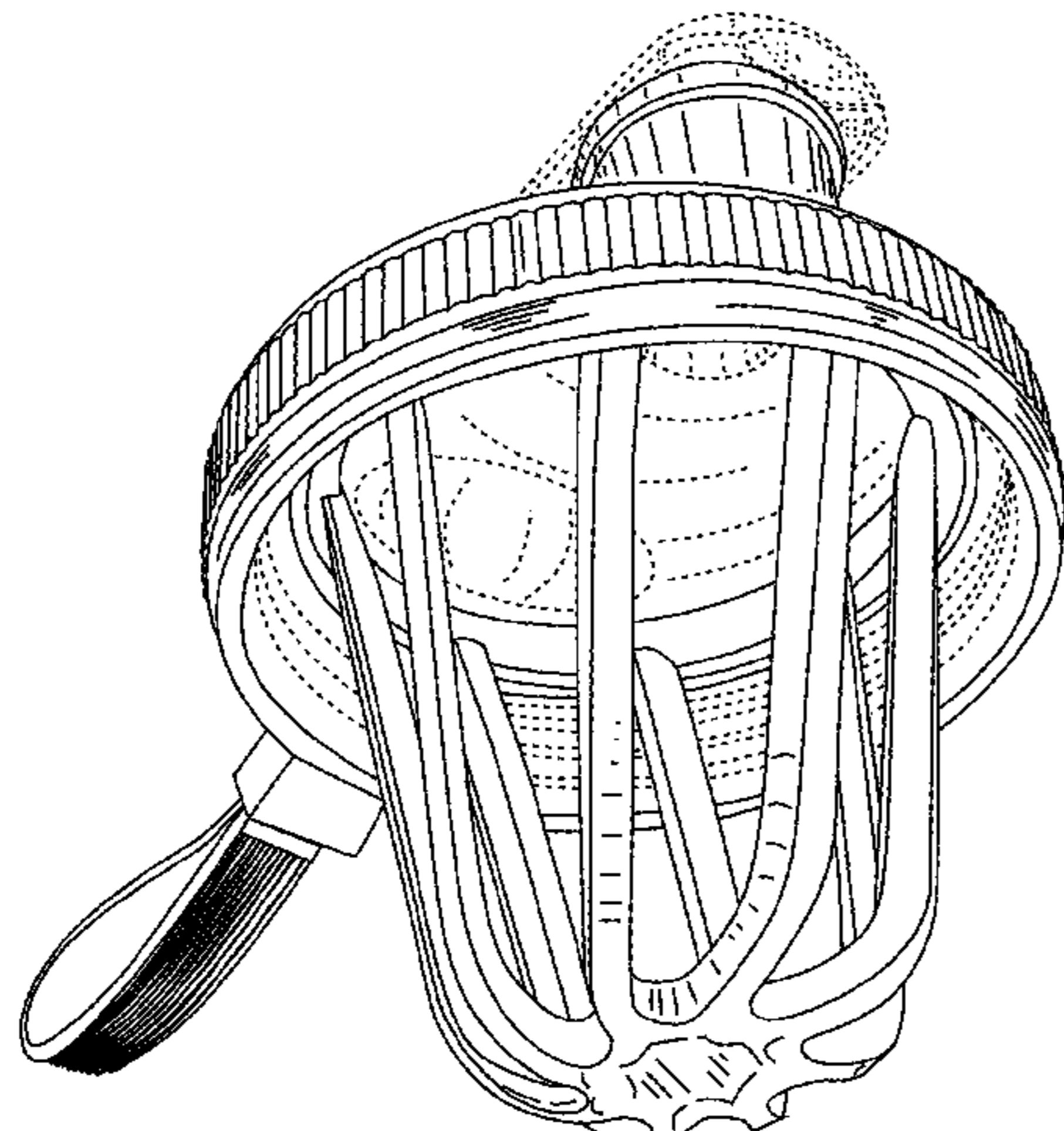
FIG. 2 is a top perspective view of the agitator portion of the cup agitator, shown separately from the cup lid and cup handle.

FIG. 3 is a bottom perspective view thereof; and,

FIG. 4 is a side view thereof.

The broken lines shown in the drawings depict portions of the cup agitator that form no part of the claimed design.

1 Claim, 2 Drawing Sheets



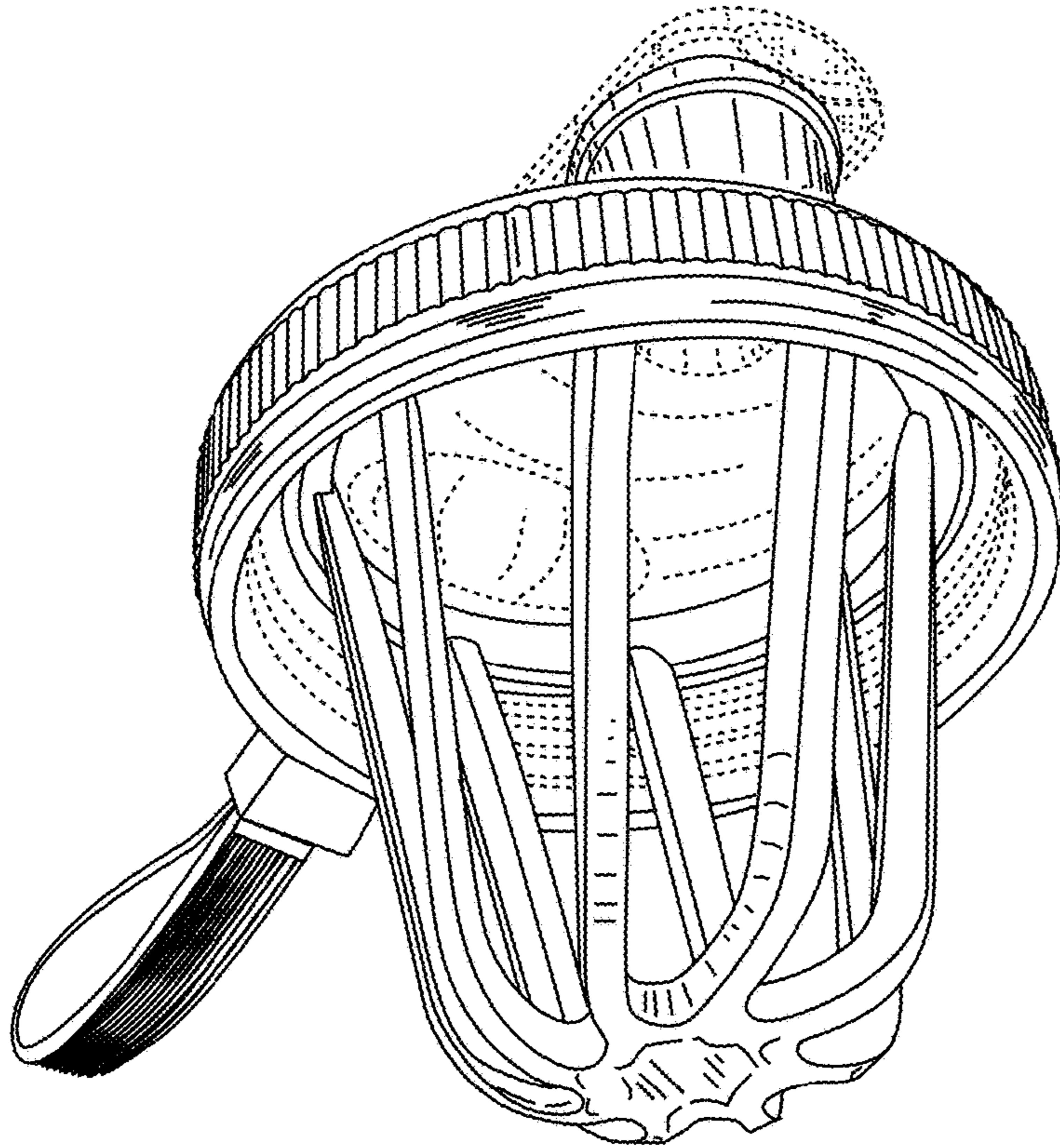


Fig. 1

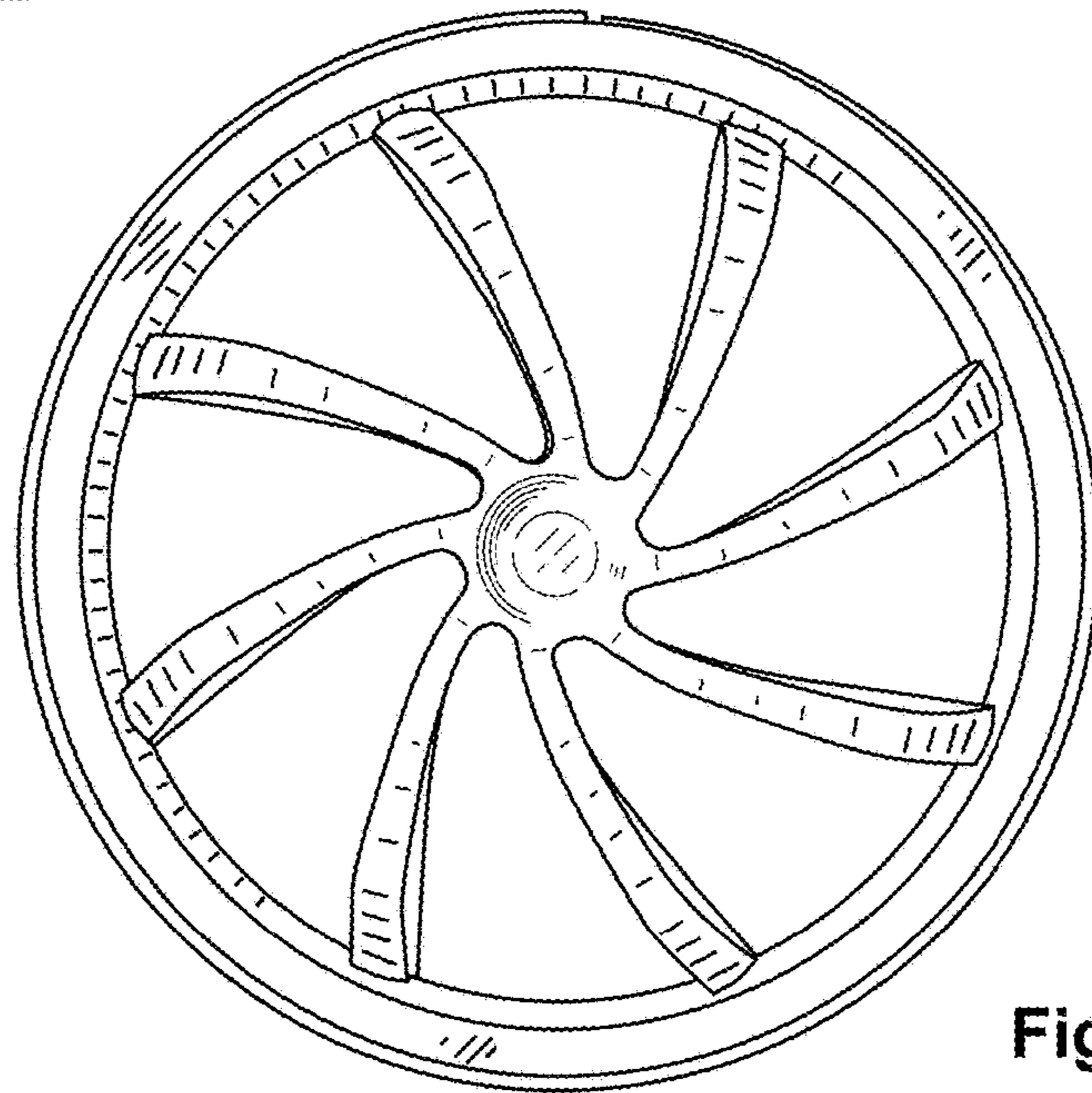


Fig. 2

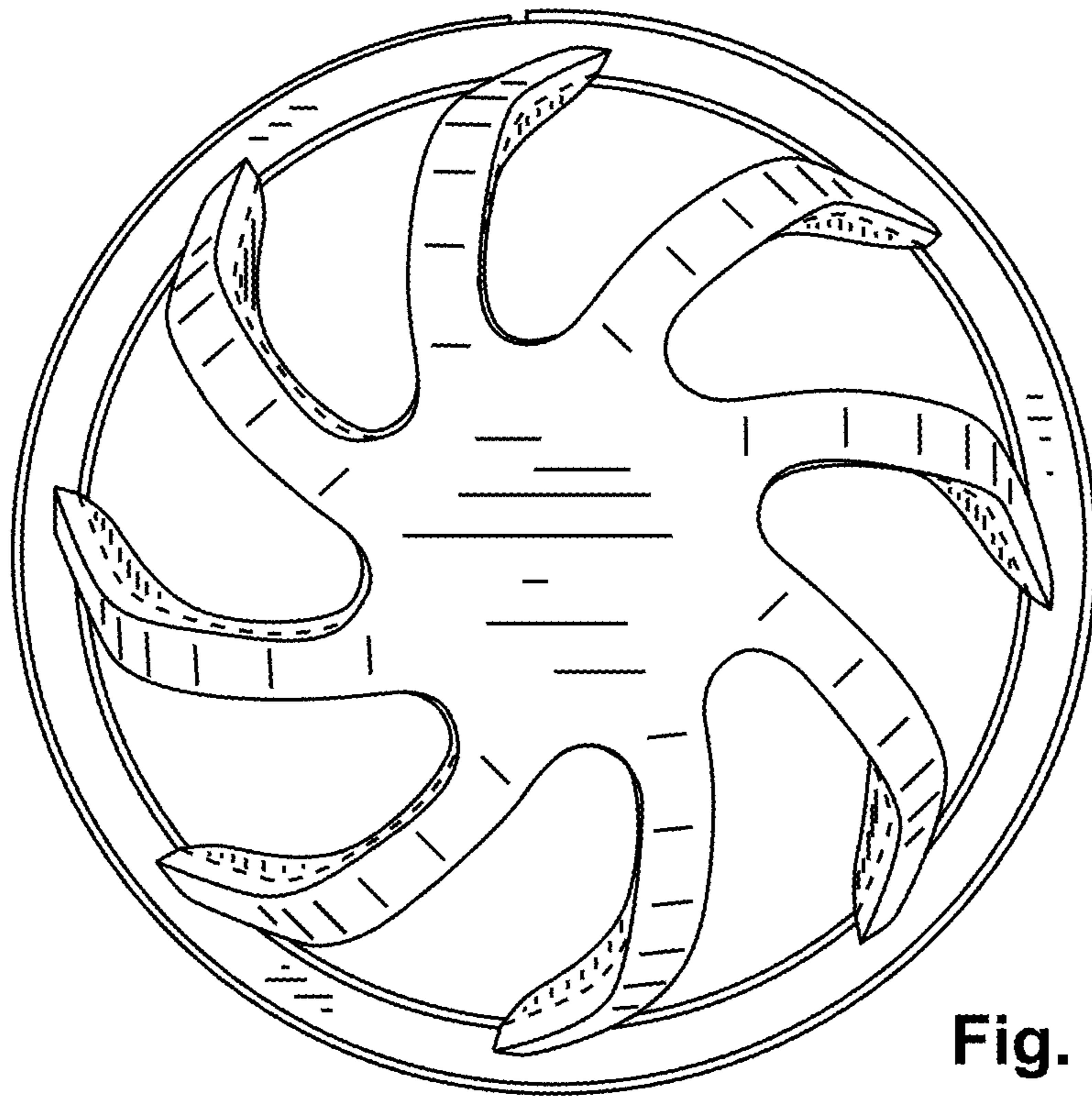


Fig. 3

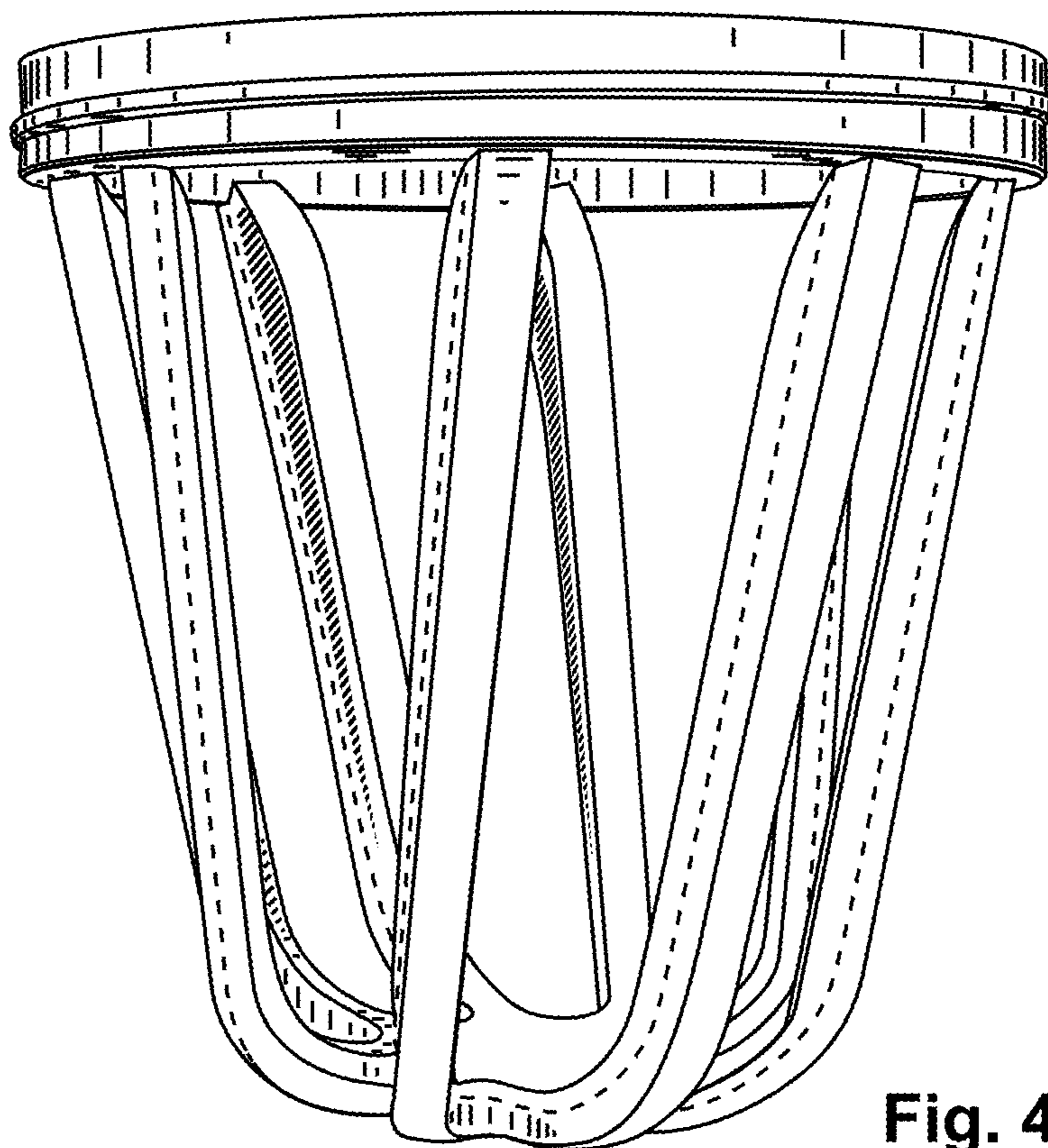


Fig. 4