

US00D867803S

(12) **United States Design Patent**
Zhang et al.

(10) **Patent No.:** **US D867,803 S**

(45) **Date of Patent:** **** Nov. 26, 2019**

(54) **FRYING AND BAKING DEVICE**

(71) Applicants: **Qifeng Zhang**, Guangdong (CN);
Zhiyong Li, Guangdong (CN)

(72) Inventors: **Qifeng Zhang**, Guangdong (CN);
Zhiyong Li, Guangdong (CN)

(**) Term: **15 Years**

(21) Appl. No.: **29/633,074**

(22) Filed: **Jan. 12, 2018**

(30) **Foreign Application Priority Data**

Dec. 19, 2017 (CN) 2017 3 0651134

(51) **LOC (12) Cl.** **07-02**

(52) **U.S. Cl.**
USPC **D7/354**

(58) **Field of Classification Search**
USPC D7/323, 337, 339, 340, 341, 352, 354,
D7/35, 5, 356, 357, 358, 359, 360, 361,
D7/362, 363, 364, 365, 366, 367, 393,
D7/402, 403, 407, 408, 409, 410, 411,
D7/601, 605

CPC A21B 1/06; A21B 1/50; A21B 1/52; A47J
37/04; A47J 37/06; A47J 37/015; A47J
37/067; A47J 37/0611; A47J 37/0629;
A47J 37/0676; A47J 37/108; F24C 7/06;
F24C 7/083; F24C 15/02; F24C 15/66;
H05B 3/20; H05B 3/40

See application file for complete search history.

(56) **References Cited**

U.S. PATENT DOCUMENTS

D347,353 S * 5/1994 Piret D7/354
5,469,782 A * 11/1995 Wong A47J 27/14
99/352

D787,259 S * 5/2017 Chung D7/354
D823,634 S * 7/2018 Miyawaki D7/354
D827,360 S * 9/2018 Chung D7/354
D836,380 S * 12/2018 Choi D7/354
D836,968 S * 1/2019 Chung D7/354
2011/0256285 A1 * 10/2011 De' Longhi A47J 37/1209
426/438

* cited by examiner

Primary Examiner — Barbara Fox

Assistant Examiner — Messina L Smith

(57) **CLAIM**

The ornamental design for a frying and baking device, as shown and described.

DESCRIPTION

FIG. 1 is a first perspective view of a frying and baking device showing our new design;

FIG. 2 is a second perspective view thereof;

FIG. 3 is a front elevational view thereof;

FIG. 4 is a rear elevational view thereof;

FIG. 5 is a left side view thereof;

FIG. 6 is a right side view thereof;

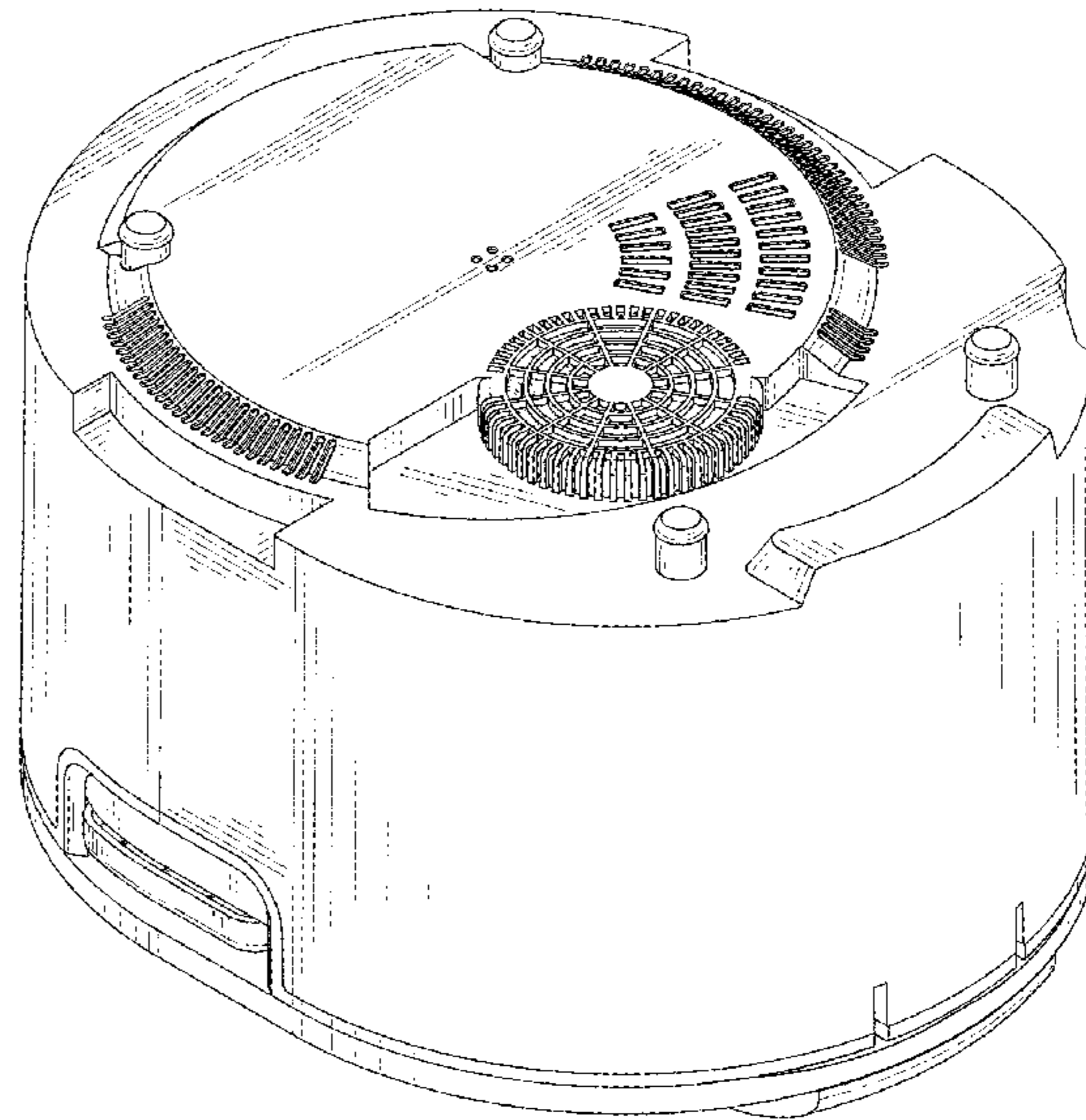
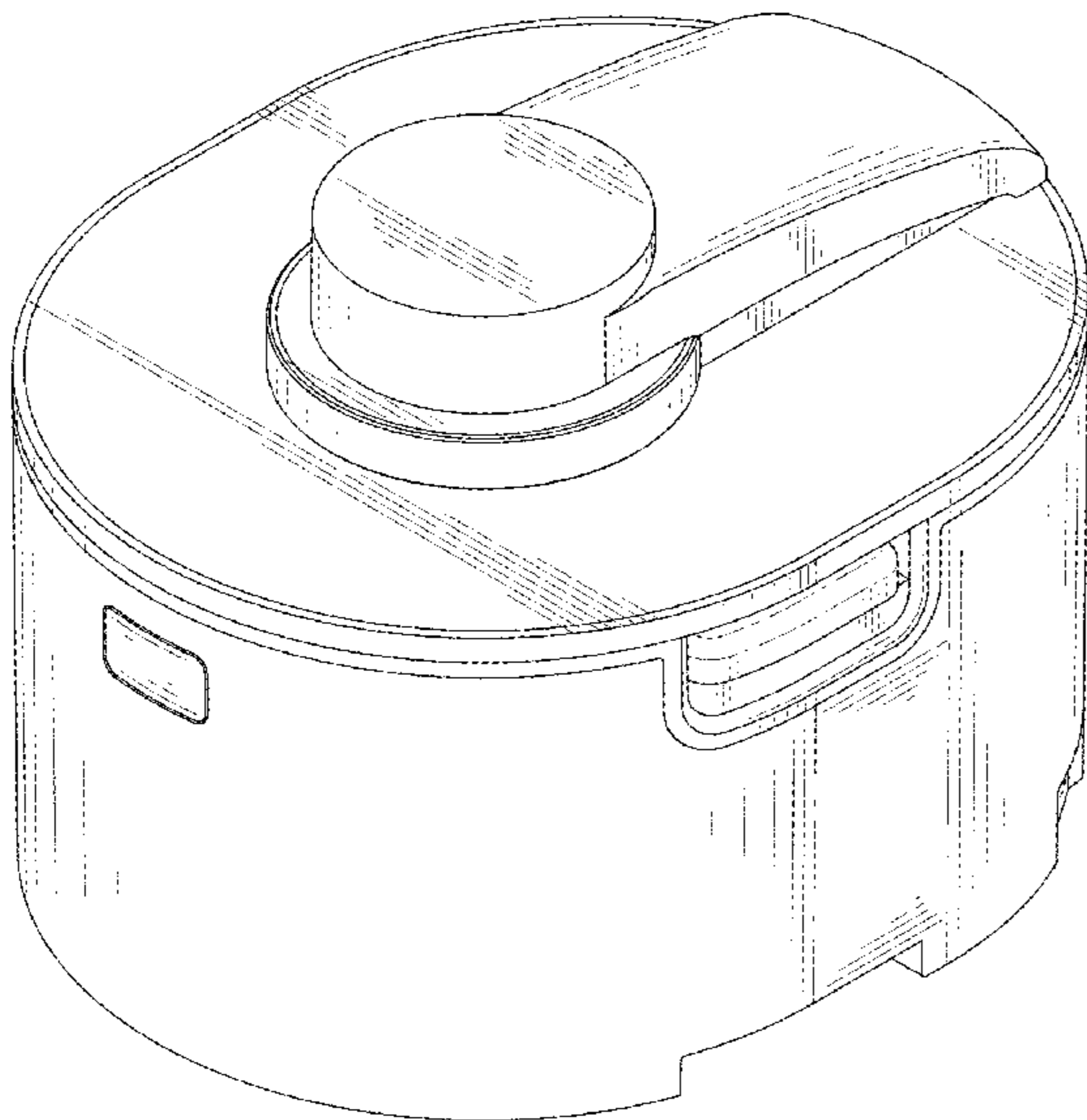
FIG. 7 is a top plan view thereof;

FIG. 8 is a bottom plan view thereof; and,

FIG. 9 is a third perspective view showing the frying and baking device in an open state.

The broken lines in the drawings depict portions of the frying and baking device that form no part of the claimed design.

1 Claim, 9 Drawing Sheets



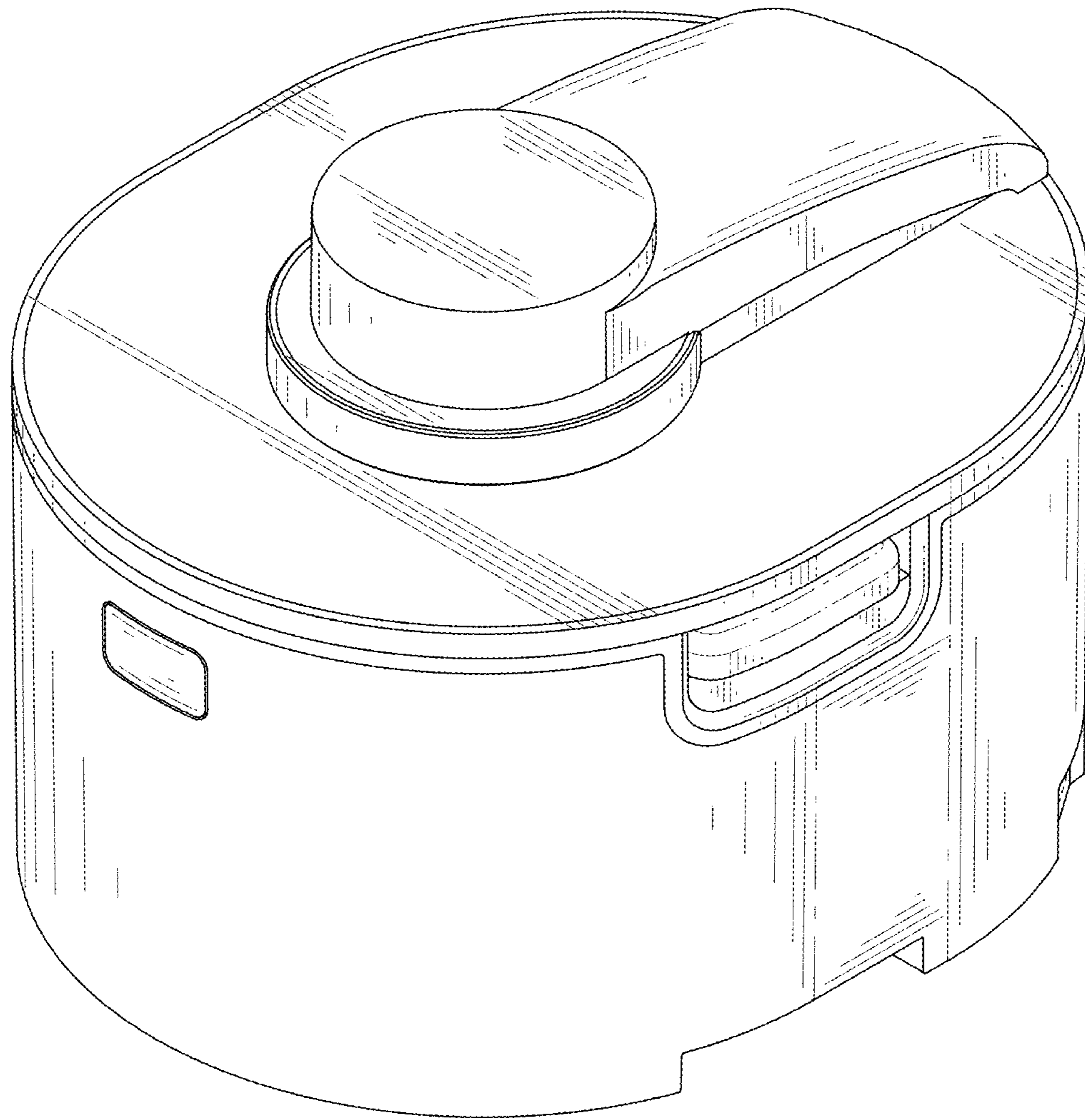


FIG. 1

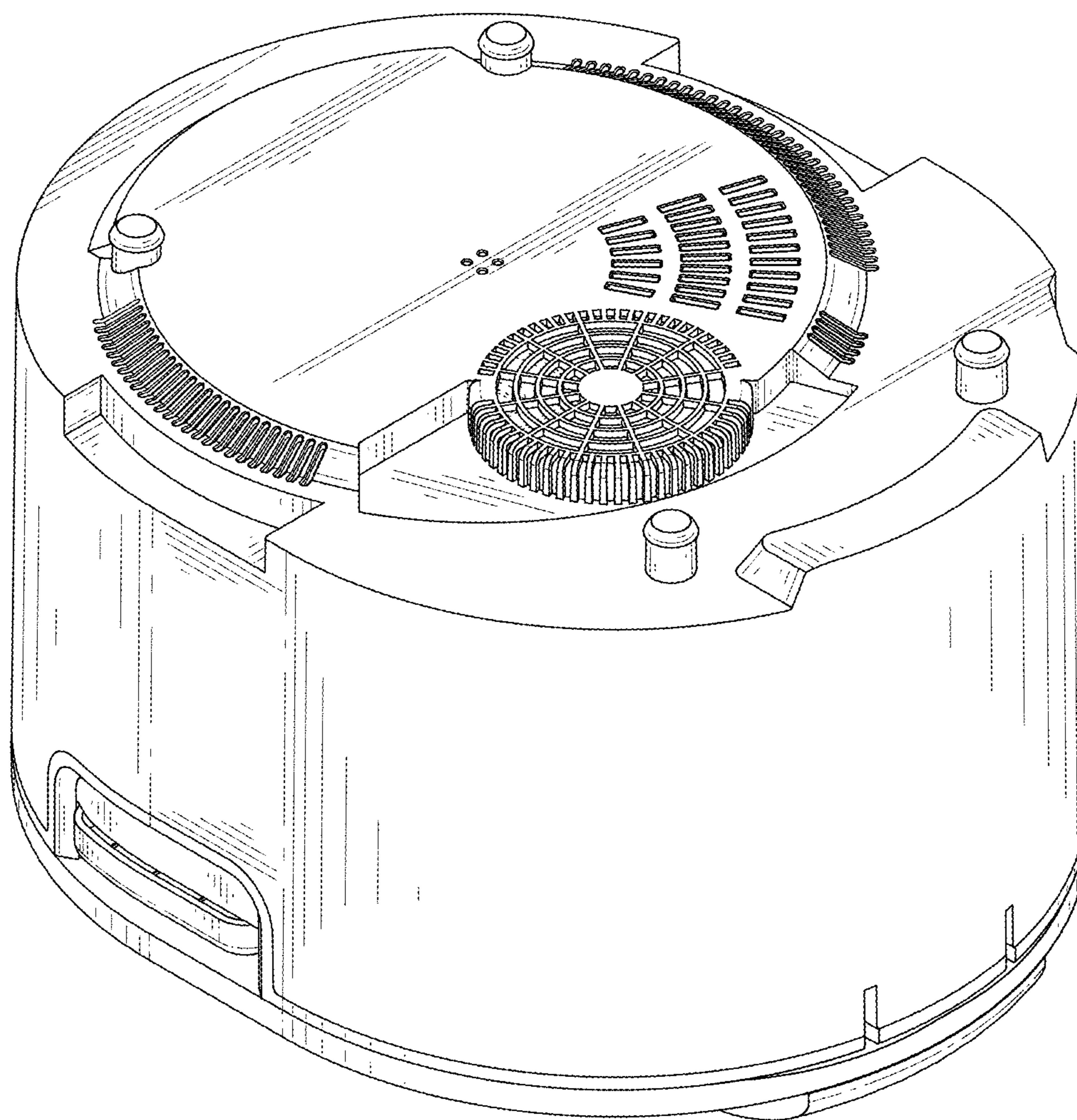


FIG. 2

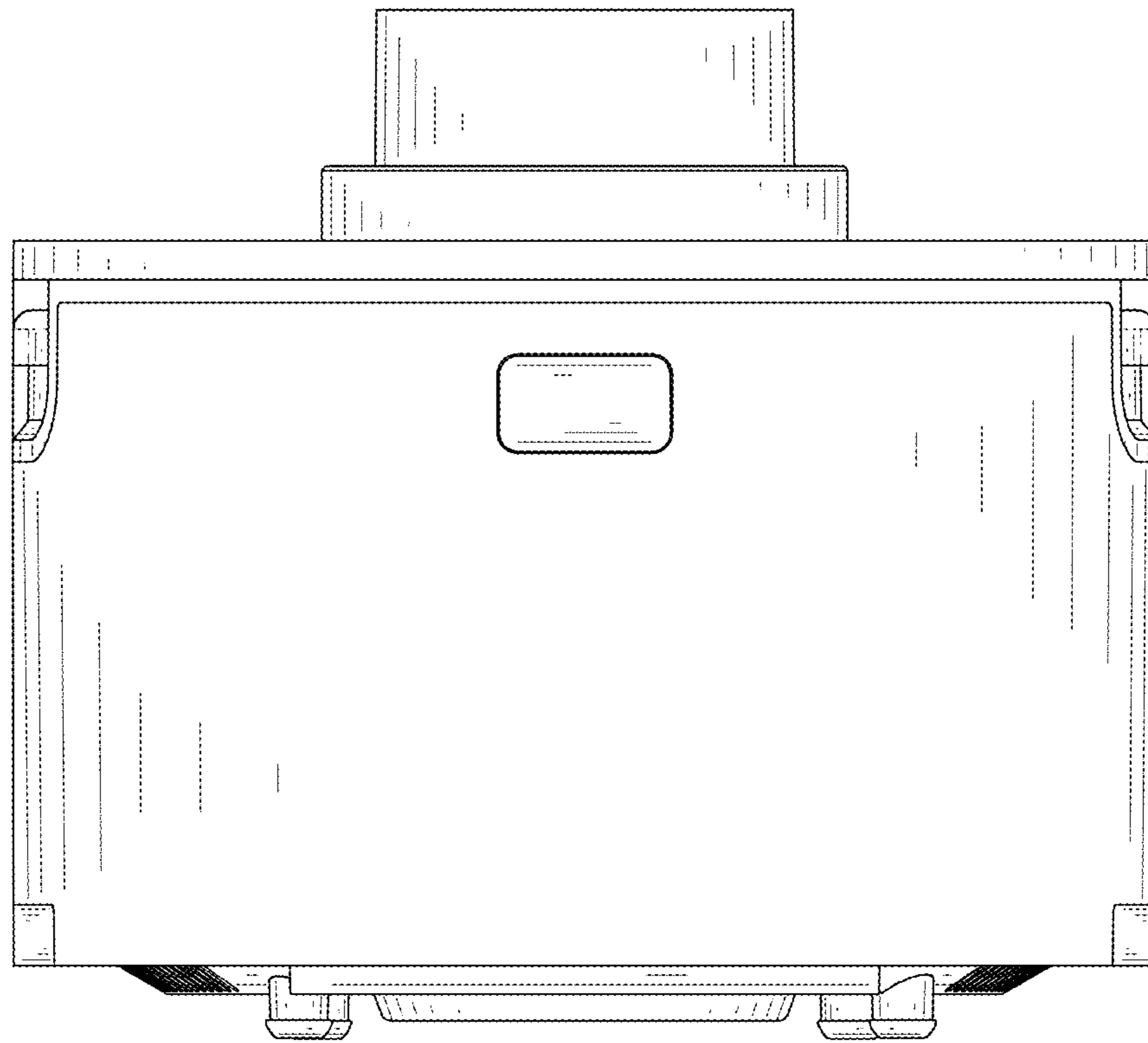


FIG. 3

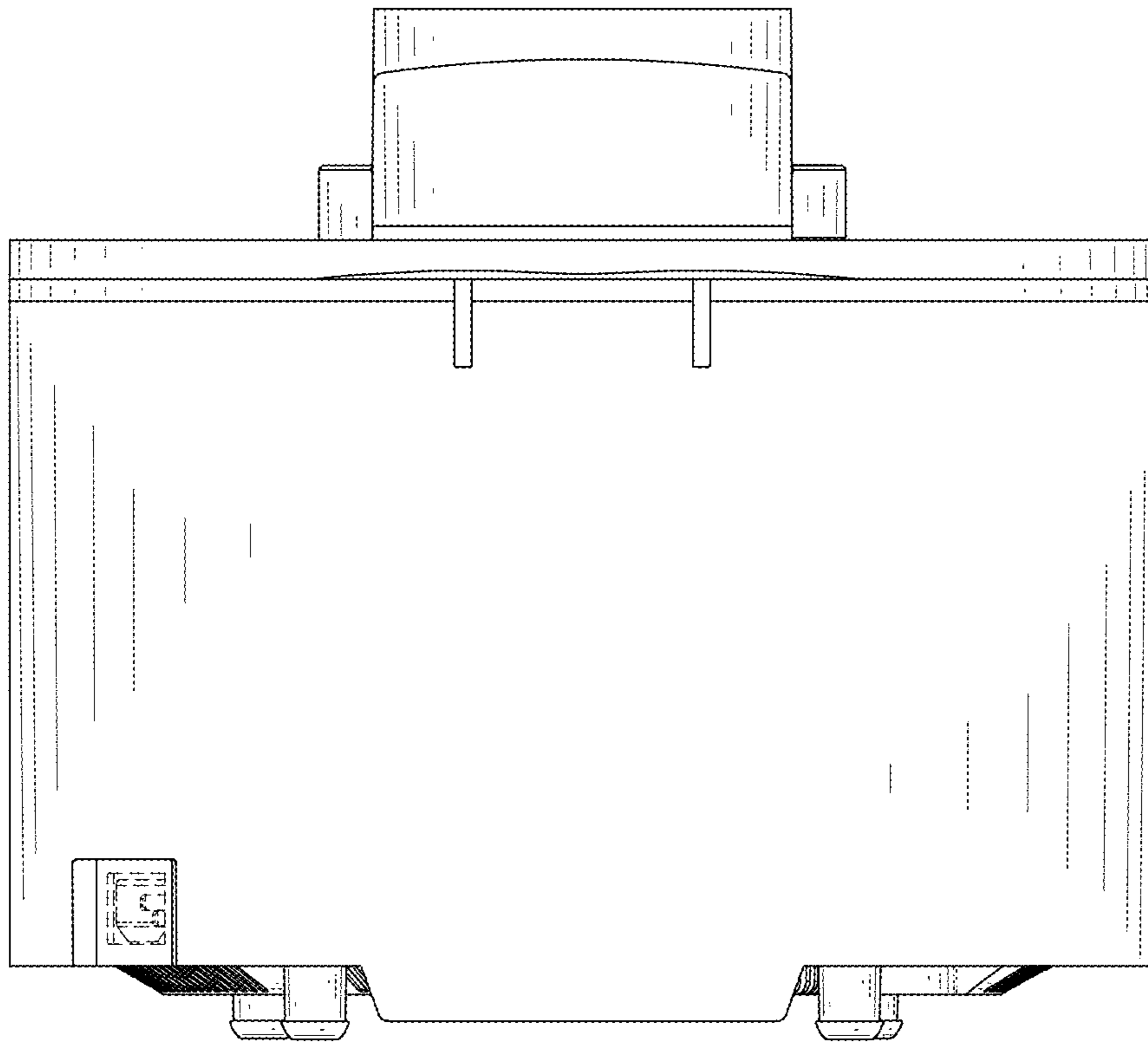


FIG. 4

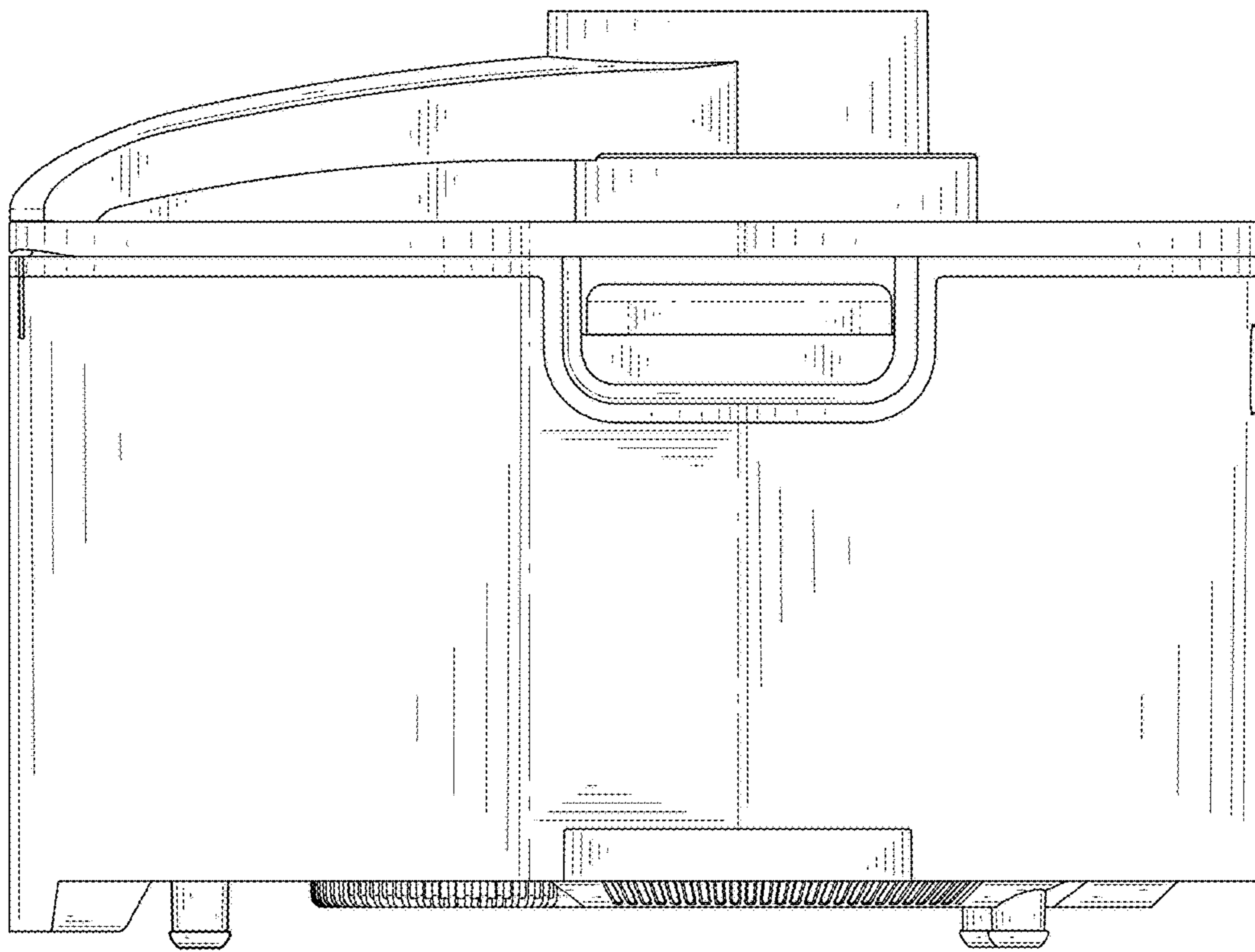


FIG. 5

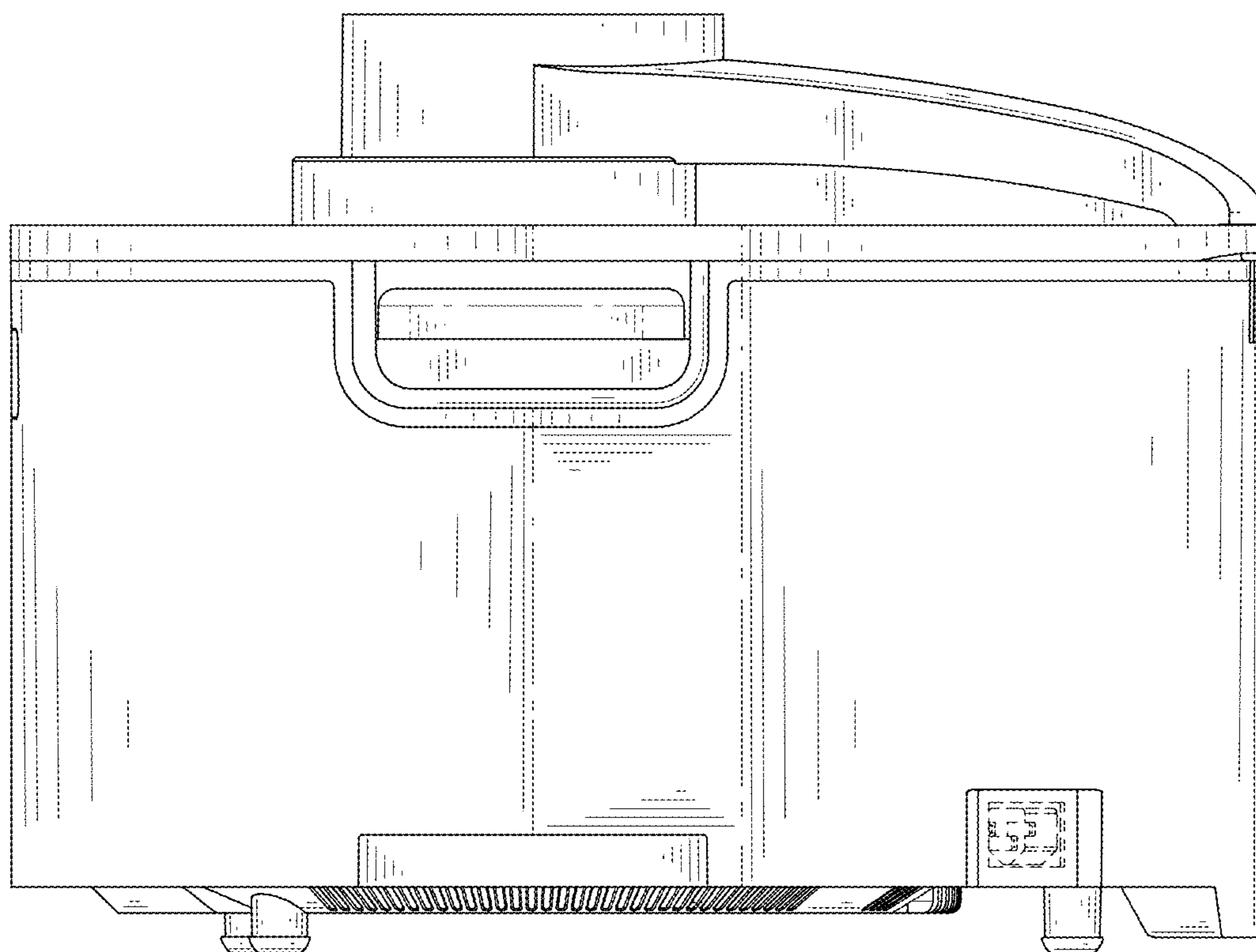


FIG. 6

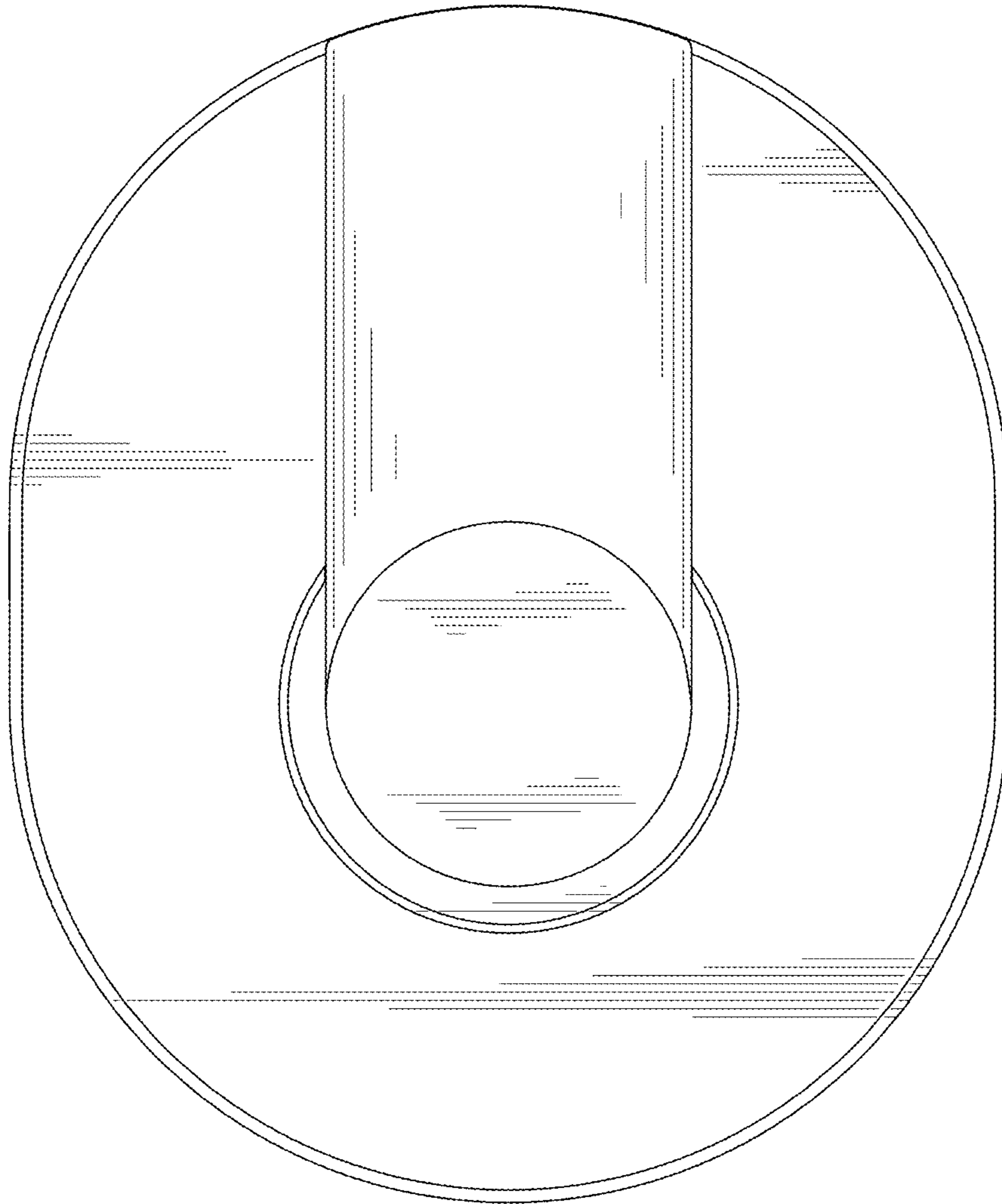


FIG. 7

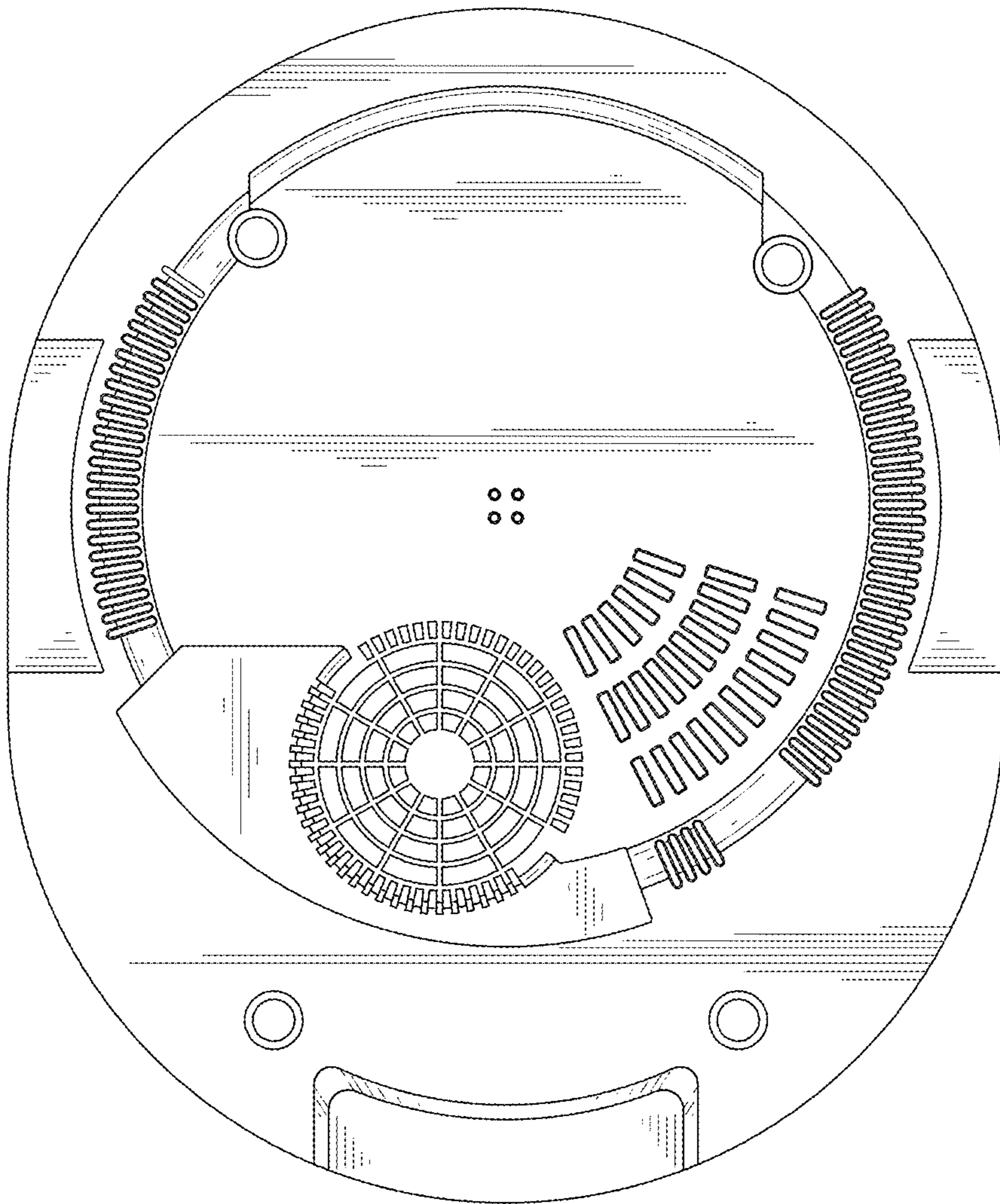


FIG. 8

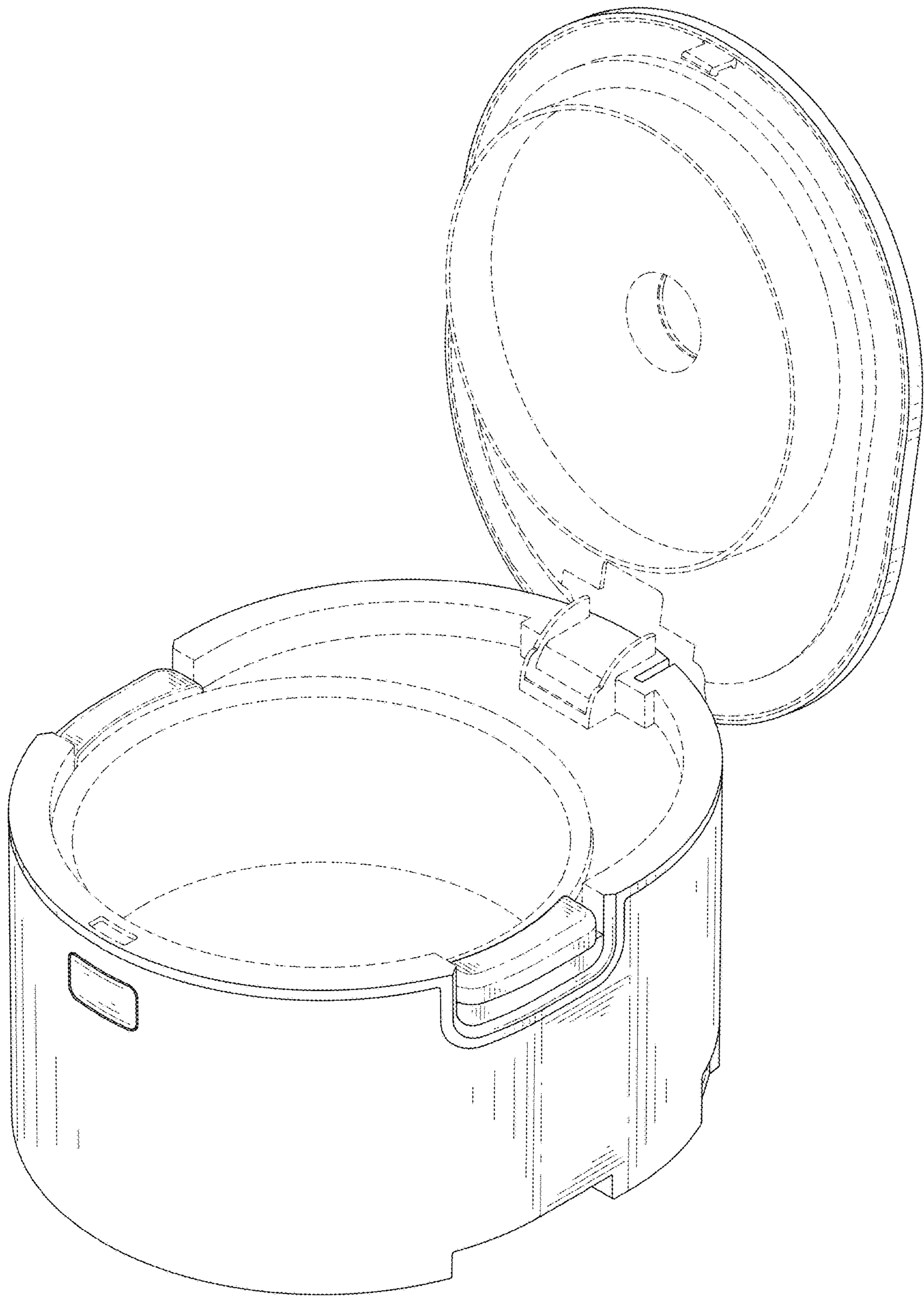


FIG. 9