

US00D867801S

(12) **United States Design Patent** (10) **Patent No.:** **US D867,801 S**
Kushner et al. (45) **Date of Patent:** **** Nov. 26, 2019**

(54) **COLD BREWER**

- (71) Applicant: **UT Brands LLC**, Costa Mesa, CA (US)
- (72) Inventors: **Robert Kushner**, Aberdeen (HK);
Christopher Anzalone, Eagle, ID (US)
- (73) Assignee: **UT BRANDS, LLC**, Costa Mesa, CA (US)
- (**) Term: **15 Years**
- (21) Appl. No.: **29/636,423**
- (22) Filed: **Feb. 8, 2018**
- (51) **LOC (12) Cl.** **07-01**
- (52) **U.S. Cl.**
USPC **D7/317; D7/318; D7/309**
- (58) **Field of Classification Search**
USPC D7/316-319, 312, 300, 309, 399, 397;
D23/207, 209
CPC A47J 41/0005; A47J 31/20; A47J 31/50;
A47J 31/44
See application file for complete search history.

(56) **References Cited**

U.S. PATENT DOCUMENTS

D400,392 S *	11/1998	Robertson	D7/319
D585,233 S *	1/2009	Bodum	D7/317
D594,689 S *	6/2009	Bodum	D7/317
D602,731 S *	10/2009	Mankowitz	D7/316
D630,895 S *	1/2011	Sheppard	D7/317
D740,067 S *	10/2015	Katz	D7/399
D836,372 S *	12/2018	Vazin	D7/318
D852,567 S *	7/2019	Chen	D7/310
2017/0119201 A1 *	5/2017	Walker	A47J 43/0465

OTHER PUBLICATIONS

<https://www.oxo.com/categories/coffee-tea/brew/coffee-makers/cold-brew-coffee-maker.html>, accessed May 7, 2019, 2 pgs.
https://www.amazon.com/Toddy-THM-Cold-Brew-System/dp/B0006H0JVW/ref=sr_1_9?crd=3C6NE9GUAF0OD&keywords=

cold+brew+coffee+maker&qid=1554755964&s=gateway&sprefix=cold+brew+coffe%2Caps%2C207&sr=8-9, accessed May 7, 2019, 9 pgs.
https://www.amazon.com/KitchenAid-KCM4212SX-Coffee-Maker-Brushed-Stainless/dp/B06XNVZDC7/ref=sr_1_11?crd=3C6NE9GUAF0OD&keywords=cold+brew+coffee+maker&qid=1554755984&s=gateway&sprefix=cold+brew+coffe/%2Caps%2C207&sr=8-11, accessed May 7, 2019, 9 pgs.
https://www.amazon.com/Asobu-Coldbrew-Portable-Insulated-Stainless/dp/B075X48Z98/ref=sr_1_22?crd=3C6NE9GUAF0OD&keywords=cold+brew+coffee+maker&qid=1554755984&s=gateway&sprefix=cold+brew+coffe%2Caps%2C207&sr=8-22, accessed May 7, 2019, 11 pgs.
https://www.amazon.com/Takeya-Patented-Airtight-Silicone-1-Quart/dp/B00FFLY64U/ref=sr_1_3?crd=3C6NE9GUAF0OD&keywords=cold+brew+coffee+maker&qid=1554755984&s=gateway&sprefix=cold+brew+coffe%2Caps%2C207&sr=8-3, accessed May 7, 2019, 10 pgs.

* cited by examiner

Primary Examiner — Marianne N Pandozzi
 (74) *Attorney, Agent, or Firm* — Greenberg Traurig, LLP

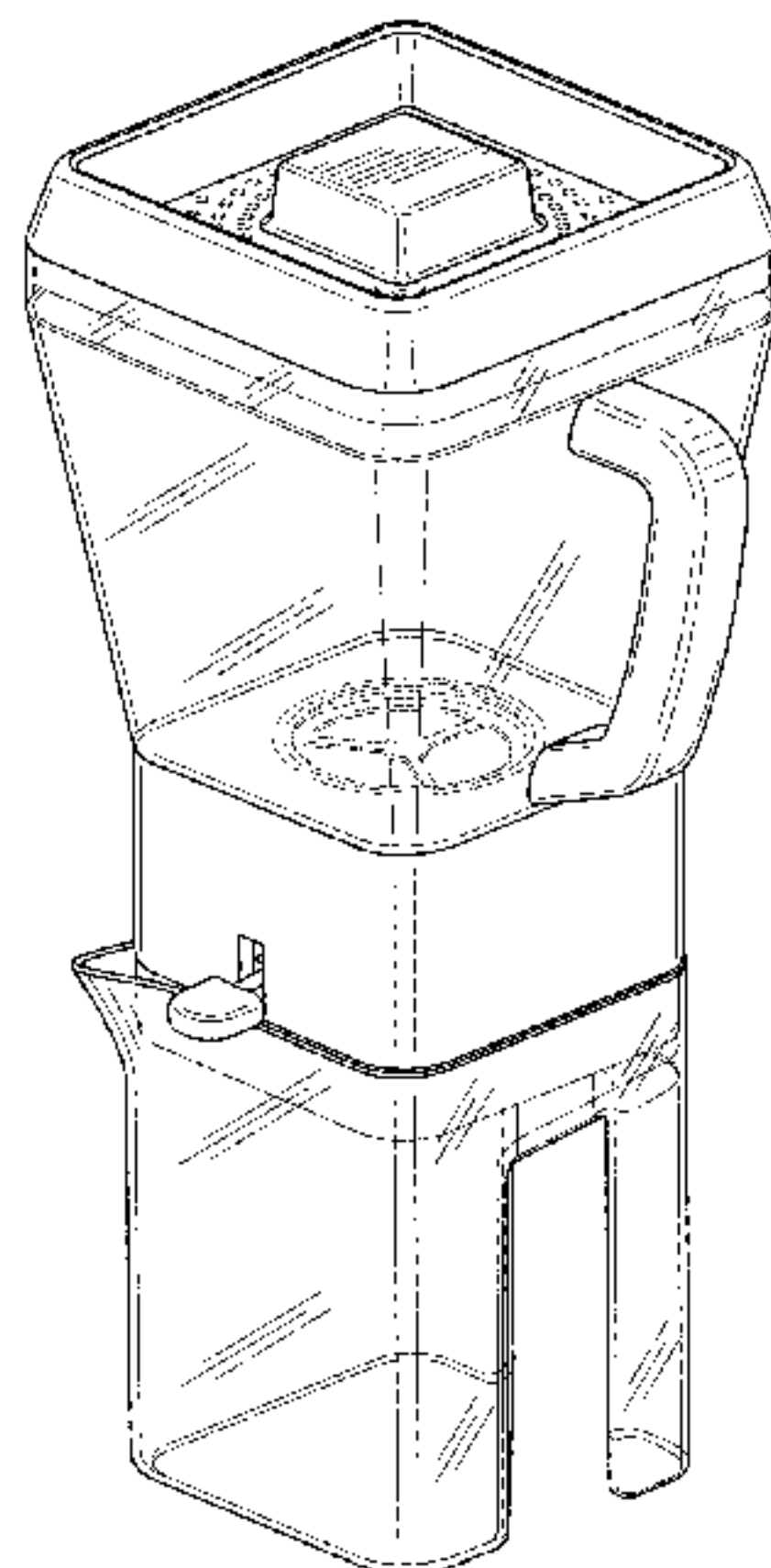
(57) **CLAIM**

The ornamental design for a cold brewer, as shown and described.

DESCRIPTION

FIG. 1 is a perspective view of a cold brewer showing our new design;
 FIG. 2 is an exploded view of the cold brewer of FIG. 1;
 FIG. 3 is a top plan view of the cold brewer of FIG. 1;
 FIG. 4 is a bottom plan view of the cold brewer of FIG. 1;
 FIG. 5 is a front elevational view of the cold brewer of FIG. 1;
 FIG. 6 is a rear elevational view of the cold brewer of FIG. 1;
 FIG. 7 is a left-side elevational view of the cold brewer of FIG. 1; and,
 FIG. 8 is a right-side elevational view of the cold brewer of FIG. 1.

(Continued)



The broken lines in the drawing depict portions of the cold brewer that form no part of the claimed design.

1 Claim, 8 Drawing Sheets

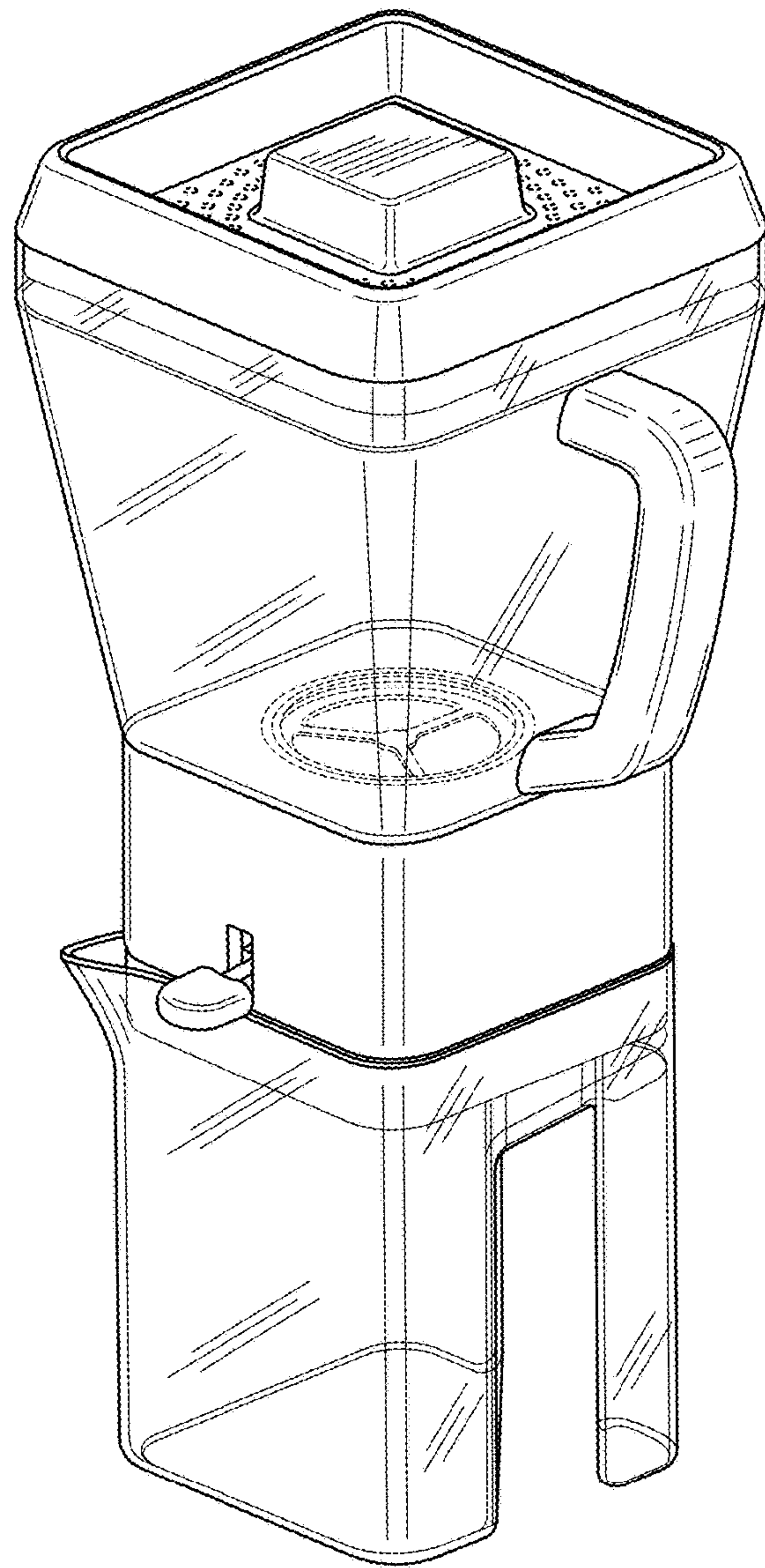


FIG. 1

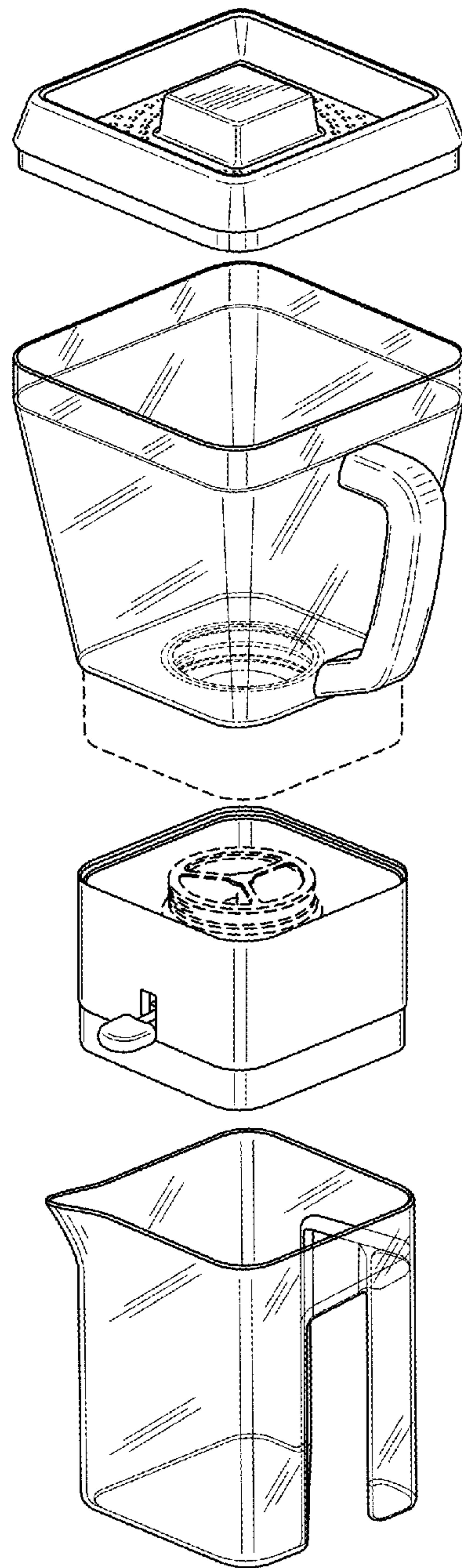


FIG. 2

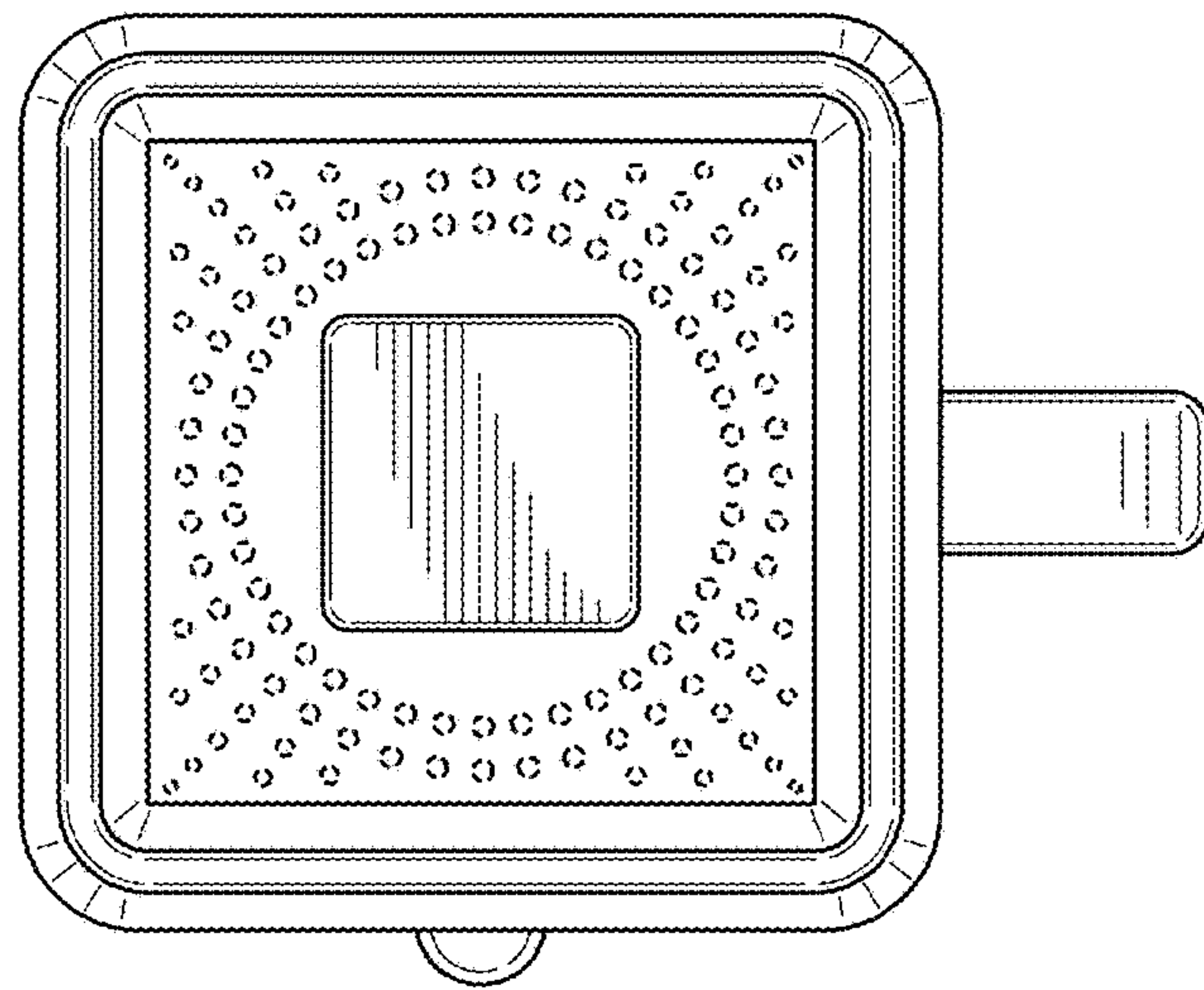


FIG. 3

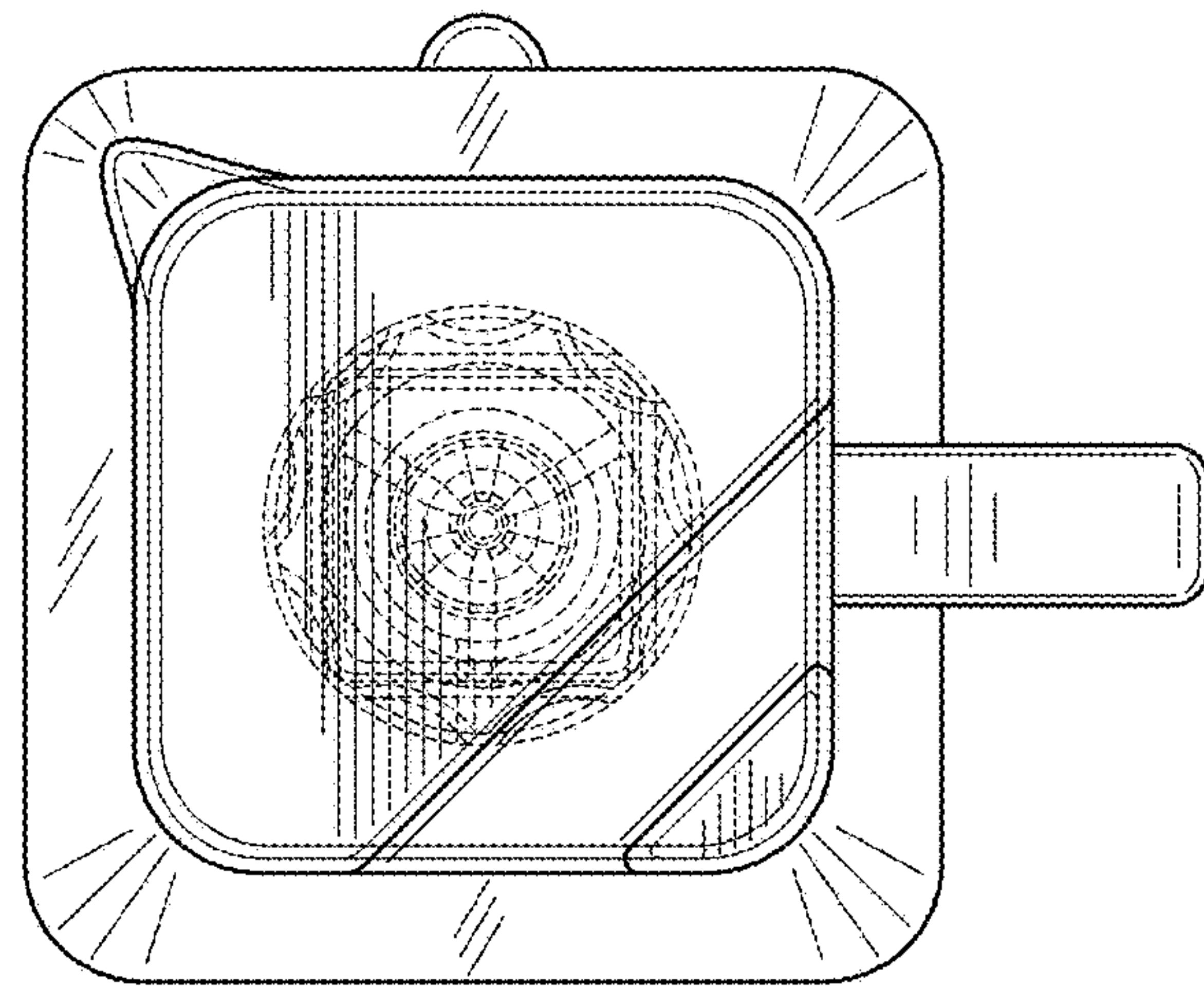


FIG. 4

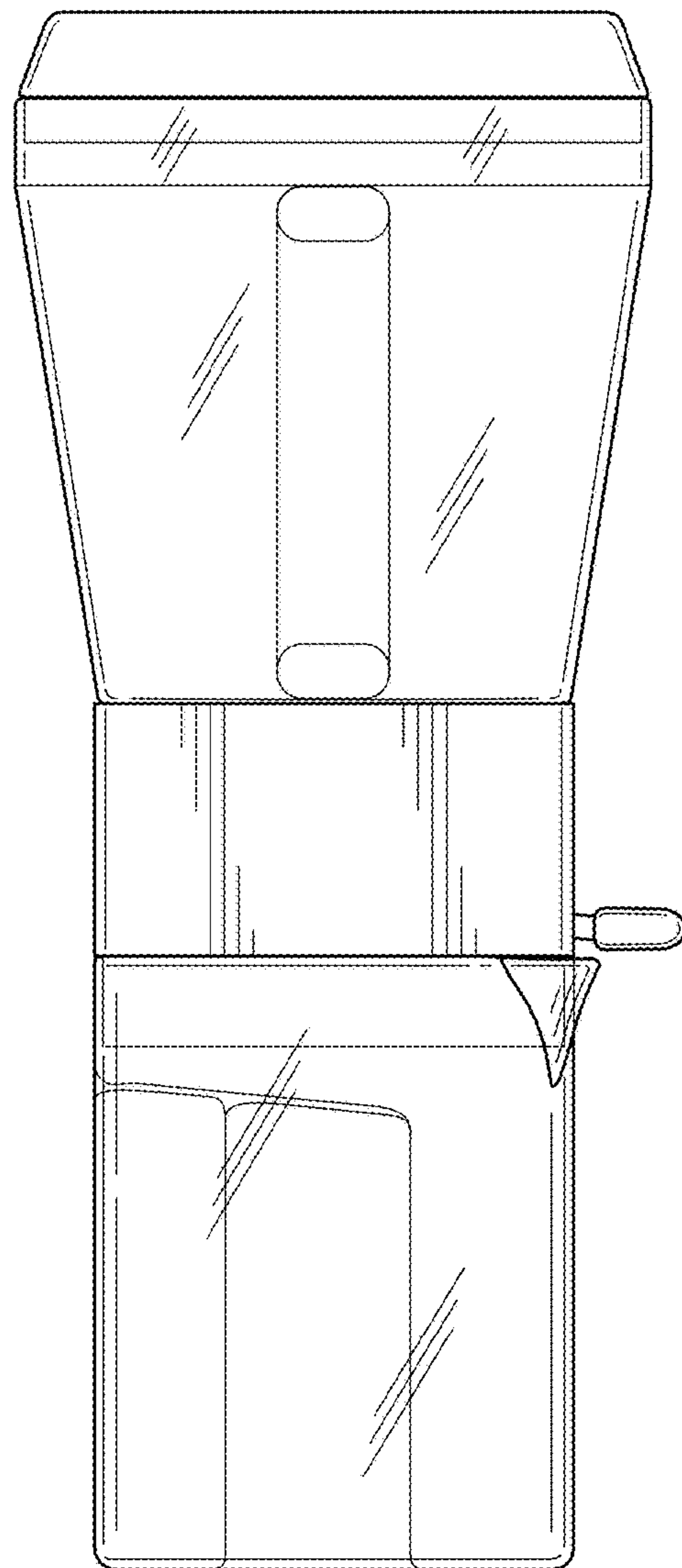


FIG. 5

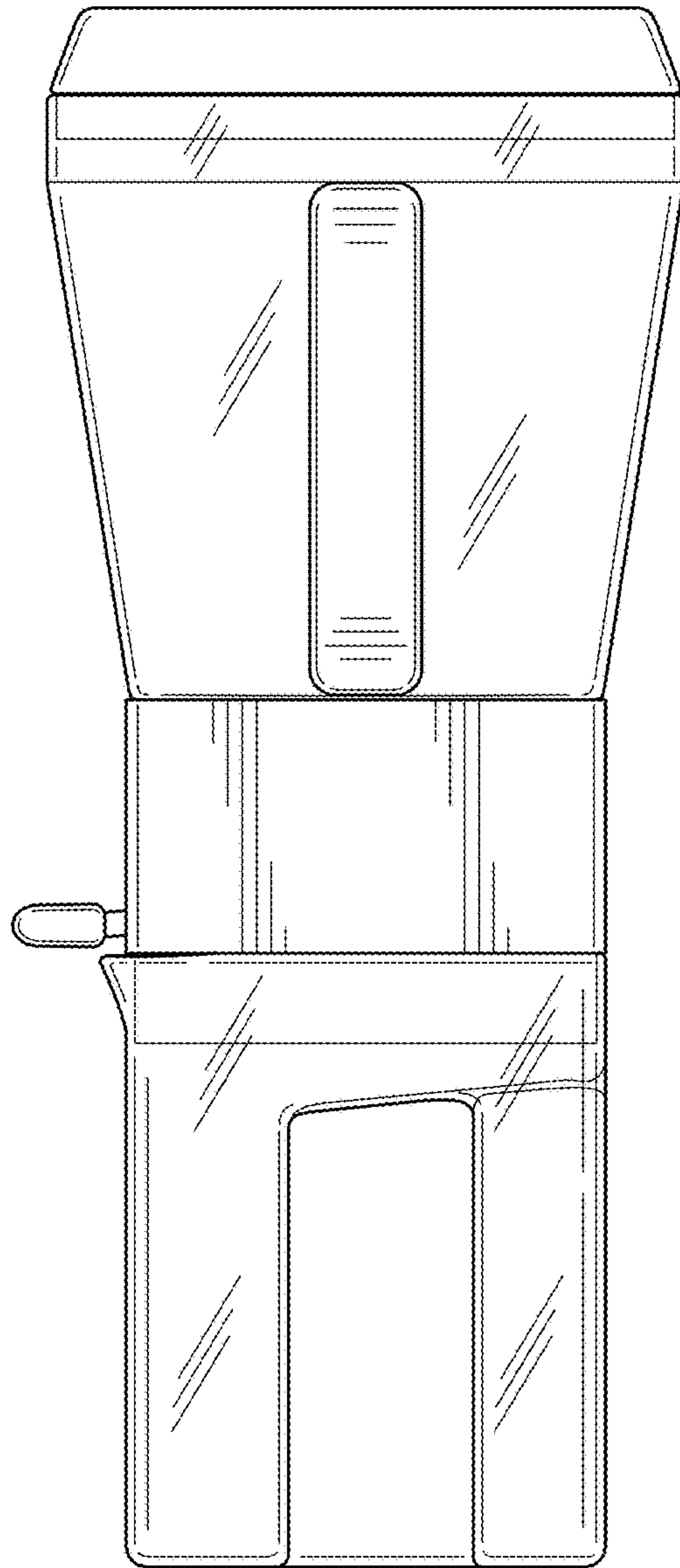


FIG. 6

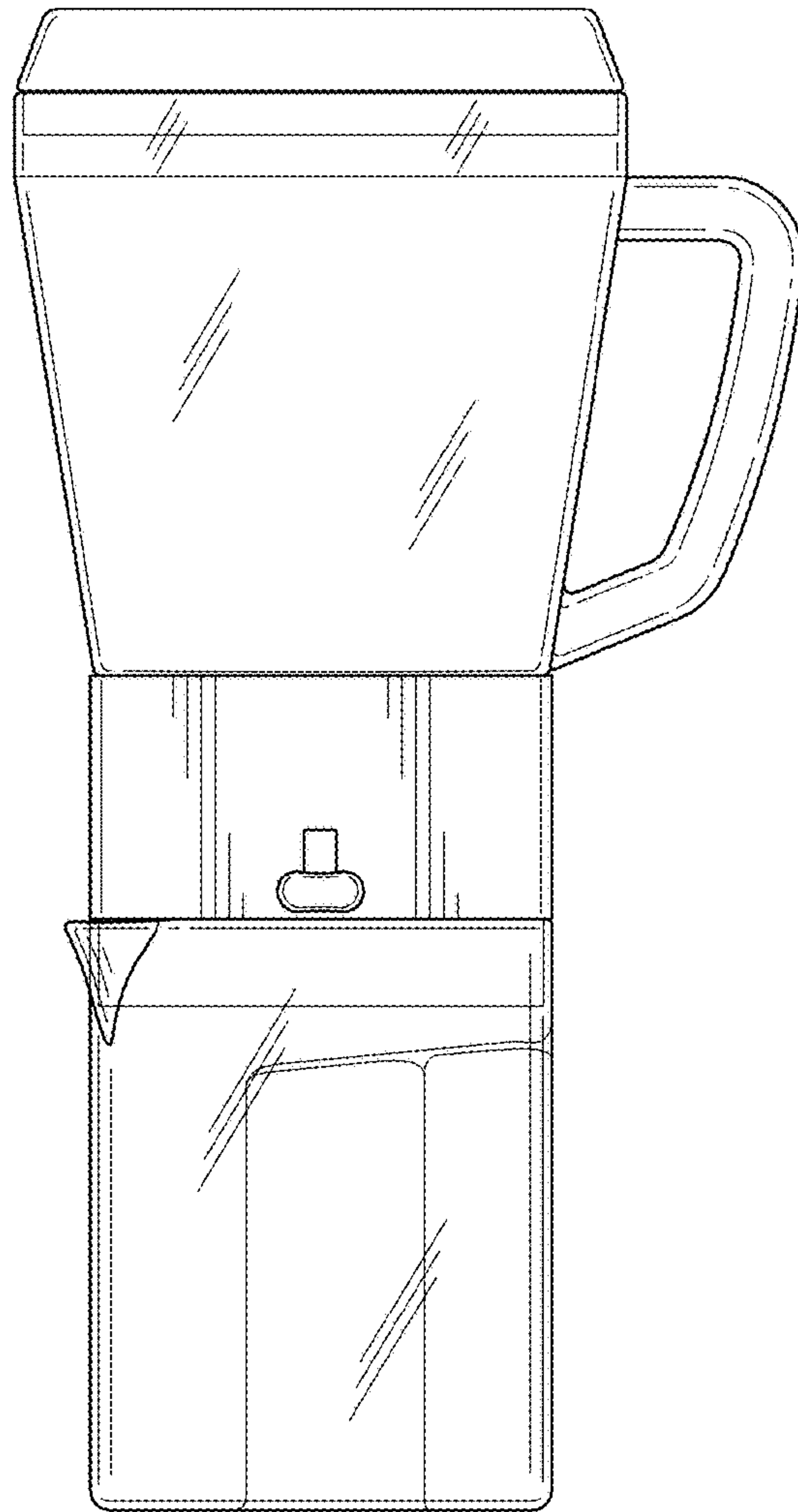


FIG. 7

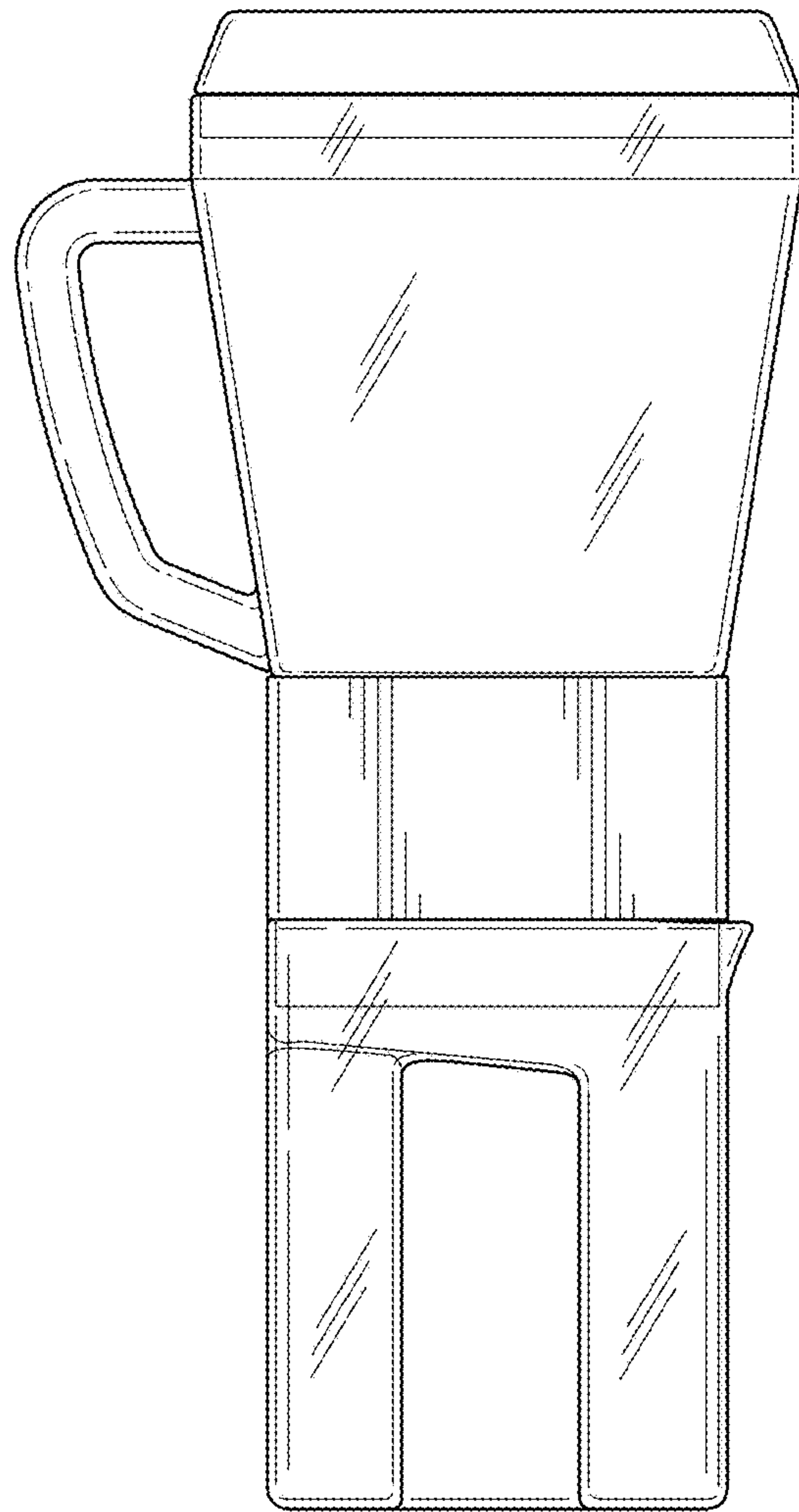


FIG. 8